

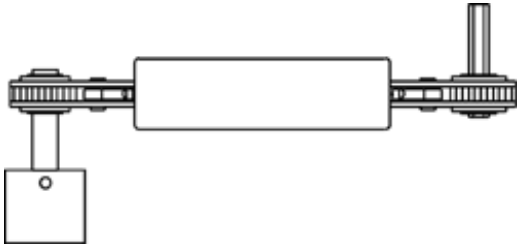


[Catalog Home](#)

**Product Datasheet**


**ANDERSON FARGO**

**GP242P -- Fargo Lineman's Wrench**



Fargo Lineman's Wrench, 5/16" Rev. Allen Ratchet and 90 Rev. Allen Penta Ratchet

**Product Specifications**

<p>Series</p>	 <p><b>GP Series</b> Hand "Speed" Wrenches for installing bolted and mechanical connectors</p>
<p>PDF Catalog Page</p>	<p><a href="#">Click HERE to view the web page.</a></p>
<p>End A Type</p>	<p>Reversible Allen Ratchet - 5/16" x 1.75" long</p>
<p>End B Type</p>	<p>90 degree Rev. Ratchet - Penta Socket</p>
<p>End A Size</p>	<p>5/16"</p>
<p>End "A" Dimension C</p>	<p>0.63" (16 mm)</p>
<p>End "B" Dimension C</p>	<p>1.75" (45 mm)</p>
<p>Dimension L</p>	<p>9.00" (229 mm)</p>
<p>Material Type</p>	<p>Non-Standard</p>
<p>UPC Code</p>	<p>09635931302</p>
<p>Standard Package</p>	<p>5</p>
<p>Standard Package Unit</p>	<p>Each</p>
<p>Min Order Qty</p>	<p>5</p>
<p>Weight / Ea.</p>	<p>1.176 lbs</p>

**Notes**

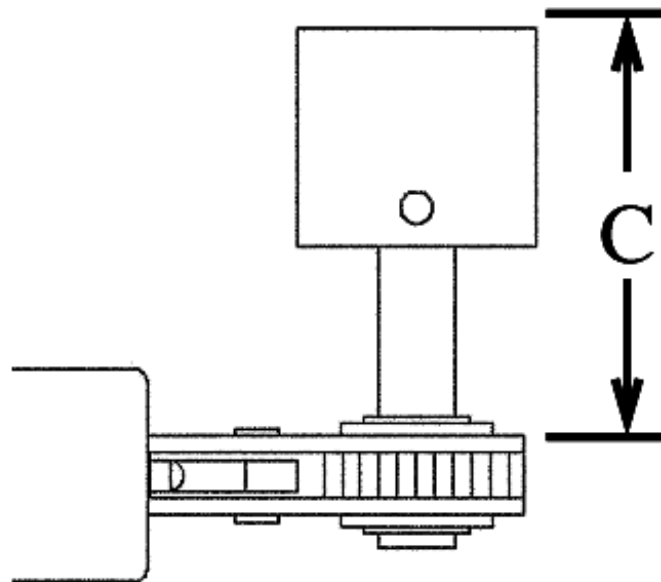
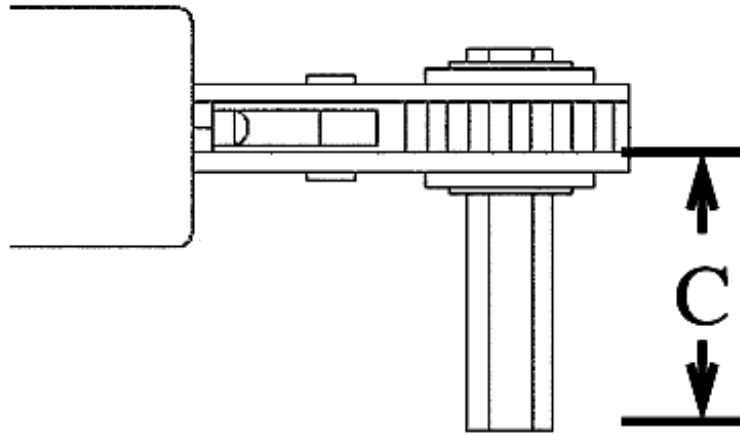
Specifically constructed for proper and fast installation of mechanical connectors.

**Features**

Sturdy polypropylene handle provides protection from incidental contact.

**Compressed Product Number**

GP242P



[Catalog Home](#)



[Warranty Info](#) | [Trademarks](#) | [Terms of Use](#)

*All contents Copyright © 2007 Hubbell Power Systems, Inc. All rights reserved.*

NOTE: Because Hubbell has a policy of continuous product improvement, we reserve the right to change design and specifications without notice.