

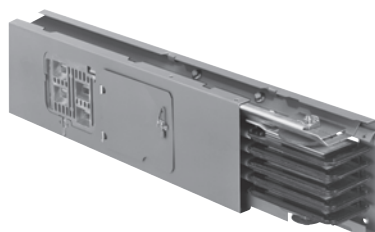
Busway Systems

Catalog

5600CT9101
R03/2022



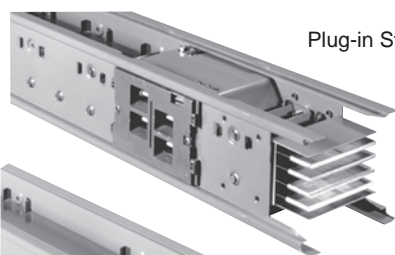
Powerbus™ 100-400 A



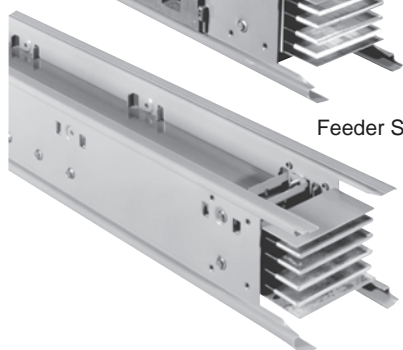
I-Line™ Plug-in Busway 225-600 A



Power-Zone™ Busway



Plug-in Style



Feeder Style

I-Line II Busway 800-5000 A



I-Line Plug-in Units

Legal Information

The Schneider Electric brand and any trademarks of Schneider Electric SE and its subsidiaries referred to in this guide are the property of Schneider Electric SE or its subsidiaries. All other brands may be trademarks of their respective owners.

This guide and its content are protected under applicable copyright laws and furnished for informational use only. No part of this guide may be reproduced or transmitted in any form or by any means (electronic, mechanical, photocopying, recording, or otherwise), for any purpose, without the prior written permission of Schneider Electric.

Schneider Electric does not grant any right or license for commercial use of the guide or its content, except for a non-exclusive and personal license to consult it on an "as is" basis. Schneider Electric products and equipment should be installed, operated, serviced, and maintained only by qualified personnel.

As standards, specifications, and designs change from time to time, information contained in this guide may be subject to change without notice.

To the extent permitted by applicable law, no responsibility or liability is assumed by Schneider Electric and its subsidiaries for any errors or omissions in the informational content of this material or consequences arising out of or resulting from the use of the information contained herein.

Table of Contents

I-Line Product Features	7
Sandwich Construction	7
Totally Enclosed Housing	8
Compact Size	8
Finish	8
Insulation	8
Plating	8
Dielectric Testing	9
Visi-Tite™ One Bolt Joint	9
EZ Joint Pak™ Connector Assembly	9
Labor Savings	10
Tie Channels	10
Internal Smoke/Gas Barriers	10
Short Circuit Strength	10
Voltage Drop	10
Outdoor Busway	11
Universal Fittings	11
Quality	11
Integral Ground Bus	12
I-Line Construction	13
Plug-In Busway 225–600 A	13
Plug-In Busway 800–5000 A	14
Indoor Feeder Busway 800–5000 A	15
Outdoor Feeder Busway 800–5000 A	16
Busway Order Entry Checklist	17
I-Line Application Data	18
The Four Types of Busway Runs	18
Service Entrance Run	18
Plug-In Type Vertical Riser	18
Plug-In Type Horizontal Run	19
Feeder Type Tie Run	19
Service Entrance Runs	20
Service Heads	20
Transformer Taps	21
Bussed Transformer Connections	23
Phasing	24
Other Service Entrance Connections	24
Plug-In Busway Horizontal Run	24
Phasing	24
Identification	25
Plug-In Risers	25
Dimensions	25
Riser Installation and Phasing	26
Special Manufacturer's Recommendation	27
Plug-In Units	27
Hangers	27
Feeder Runs	28
Busway Through Walls and Floors	29

I-Line Layout and Measurement.....	30
Known Information.....	30
I-Line Installation, Special Features, and Services.....	32
Installation Recommendations.....	32
Painting Installed Busway Systems.....	32
Hanger Spacing.....	33
Maintenance Recommendations.....	33
Special Busway Construction.....	34
Special Paint.....	34
Low Current Density Busway.....	34
Riser Plug-In Busway.....	34
Splash Resistant Busway.....	34
Harmonic Busway.....	35
Seismically Qualified Busway.....	35
Services.....	35
Busway Measuring and Layout Service.....	35
Emergency Service.....	35
“Missing Link” Program.....	36
I-Line Electrical Data.....	37
Electrical Data.....	37
Short Circuit Ratings.....	37
Impedance Values.....	40
Voltage Drop Data (60 Hz At Rated Load).....	41
Voltage Drop Sample Calculations (60 Hz).....	42
I-Line 225–600 A Busway.....	43
I-Line 225–600 A Busway Catalog Numbering System.....	43
Straight Lengths.....	43
Cross Section.....	44
Cross Section Dimensions.....	44
Joint Detail.....	44
Cable Tap Boxes (Plug-In).....	45
Cable Tap Boxes (End).....	46
Tees.....	46
Elbows.....	47
Expansion Fitting.....	48
Unfused Reducer.....	48
Flanged End Cutout and Drilling Template.....	49
Flanged End Details.....	50
Flatwise Hanger.....	51
Edgewise Hanger.....	51
Sway Brace Collar.....	52
Hanger (Vertical Fixed).....	53
Hanger (Vertical Spring).....	54
Hanger (Horizontal Seismic).....	55
End Closure.....	55
Wall and Floor Flange.....	56
Required Wall and Floor Openings.....	57
I-Line 800–5000 A Busway.....	58
I-Line 800–5000 A Busway Catalog Numbering System.....	58
Cross Sections—Plug-In and Indoor Feeder Lengths.....	59

Cross Sections—Fittings and All Outdoor Feeder.....	59
Straight Lengths—Feeder	60
Straight Lengths—Plug-In (Indoor Only)	61
Flanges	62
Legacy Qwik Flange (Indoor Only)	63
New Qwik Flange (Indoor Only)	66
Flanged End.....	69
Detail of Phase Bussing Connections in a Switchboard.....	73
Elbows.....	74
Offset Elbows	75
Double Elbows	76
Cable Tap Box (End).....	77
Cable Tap Box (Center).....	79
Cable Tap Box (Bolt On).....	80
Unfused Reducer (Indoor Only)	80
Expansion Fitting (Indoor Only).....	81
Tees	82
Service Head Flatwise	82
Transformer Tap (One 3Ø Transformer)	83
Service Head Vertical.....	84
Transformer Tap (Three 1Ø Transformers)	85
Bussed Transformer Connections 800–5000	86
Straight Length with Flanged Collar.....	87
Roof Flange Kit	88
Adapter (Indoor Only)—I-Line to I-Line II	88
Phase Transition (Indoor Only)	89
Hanger (Horizontal Flatwise)	90
Hanger (Horizontal Edgewise).....	91
Sway Brace Collar	92
Hanger (Vertical Fixed)	92
Hanger (Vertical Spring).....	93
Hanger (Horizontal Seismic).....	94
Wall and Floor Flange	95
End Closure (Indoor Only).....	97
I-Line Plug-In Units—Bus Plugs	98
Plug-In Catalog Numbering System	98
Type of Unit.....	98
Compatibility	99
Fusible.....	99
Circuit Breakers.....	99
Circuit Breakers with Communications	100
Circuit Breakers with Energy Metering.....	100
Plug-In Device Mounting	101
Interlock.....	101
Grounding.....	101
Splash Resistant Feature (Optional).....	101
Special Purpose Plug-In Devices	102
Interrupting Capacity of Fusible Switch Plug-In Units	103
Interrupting Capacity of Circuit Breaker Plug-In Units	103
Required Clearances for Plug-In Unit Mounting.....	104
Vertical Mounting.....	105

Fusible Units	105
Circuit Breaker Units	105
Fusible Switch Plug-In Units—30–100 A (Type “PQ”)	106
Fusible Switch Plug-In Unit—200 A (Type “PQ”).....	107
Fusible Switch Plug-In Unit—200 A (Type “PS”).....	108
Fusible Switch Plug-In Unit—400 and 600 A (Type “PBQ”).....	109
Fusible Switch Plug-In Unit—400 A (Type “PBQA”)	110
Fusible Switch Bolt-On Units—800–1200 A (Type “PTQ”)	111
Circuit Breaker Plug-In Units—15–250 A	113
Circuit Breaker Plug-In Units—250–600 A	114
Circuit Breaker Plug-In Units with MicroLogic™ Electronic Trip Units and Communication	115
H- and J-Frame Circuit Breaker Plug-In Units with Communications Box	116
L-Frame Circuit Breaker Plug-In Units with Communications Box	117
Circuit Breaker Plug-In Units with Energy Metering.....	118
Circuit Breaker Bolt-On Units—250–1200 A.....	119
Circuit Breaker Bolt-On Units—600–1600 A.....	121
Surge Protective Devices	123
Combination Fusible Switch and Starter / Lighting Contactor / Contactor.....	124
Combination Circuit Breaker and Starter—Contactor.....	125
Ground Detector and Neutralizer	126
Powerbus Plug-in Busway.....	127
Product Descriptions.....	127
Powerbus Busway System	127
General Information	127
Busbar Configuration	127
Maintenance-Free Joint.....	128
Physical and Electrical Data.....	128
Catalog Numbering System	130
Dimensions—Straight Lengths, Fittings, and Accessories	130
Tap Box / Power Feed Unit	133
Tap Box / Power Feed Unit with Metering and Communication	134
Powerbus Plug-In Units.....	137
General Information	137
Ready-to-Assemble Plug-In Units	137
Factory-Assembled Plug-In Units	137
Catalog Numbering System	138
Plug-In Units (Ready-to-Assemble)	140
Plug-In Units (Factory-Assembled).....	141
Plug-In Unit Accessories	146
Additional Accessories	146
Power-Zone Metal-Enclosed Busway.....	147
General	147
Standard Construction.....	148
Power-Zone Bus Standard Construction	154
Layout and Instructions	155
General Layout Instruction.....	156
Typical Layout	157

I-Line Product Features

Square D™ brand I-Line™ Busway, manufactured by Schneider Electric, offers a complete line of compatible, sandwich-type feeder and plug-in busway lengths and fittings. It allows maximum flexibility, and ease of installation, and offers electrical efficiency in the distribution of low voltage power for both commercial and industrial applications.

Our design and construction have been time-tested by many years of use throughout the world. I-Line busway has been used to supply power in thousands of installations throughout the world for decades. Our broad range of I-Line busway products include I-Line plug-in style from 225–600 A with aluminum or copper conductors, and I-Line II plug-in and feeder styles from 800–4000 A with aluminum conductors and up to 5000 A with copper conductors. I-Line and I-Line II busway are constructed in three-pole and four-pole full neutral configurations for system voltages to 600 V, and are rated to allow 100% of the current to flow continuously.

Busway installation is quick and easy. The compact, totally enclosed design is lightweight and easy to handle. Labor studies have shown that a 75% savings in installation time is not uncommon when comparing I-Line busway with cable and conduit installations. This significant reduction in installation time can result in total installed cost for busway being significantly lower than other distribution methods.

In addition, a wide variety of busway components and plug-in units are available for fast delivery.

No matter how you compare, I-Line busway is your solid first choice.

Sandwich Construction

I-Line feeder and plug-in busway both utilize sandwich-type construction to provide superior voltage drop characteristics, even at low power factors.

Steel housing sides and aluminum tops and bottoms have been carefully designed to reduce component weight and minimize the hysteresis and eddy current losses that are common in all-steel housings.

Plug-in busway ratings that utilize two or three bus bars per phase have a phase paralleling feature at the joint assembly of each straight length. This helps equalize bus bar loading when plugs are mounted on one side only.

The plug-in housing has notches along the top rail for easy alignment and installation of plug-in units.

Within the same ampere rating, all I-Line II busway lengths and fittings are fully compatible between feeder and plug-in styles using standard universal tie channels (housing “splice plates”) supplied with each component.

Totally Enclosed Housing

Ventilated busway depends on free air movement through a perforated housing to cool the bus bars. Unless mounted in its preferred position (for maximum bus bar cooling), ventilated busway must be

de-rated. Ventilated housing also permits dirt accumulation and offers limited protection of bus bars due to the open ventilation slots.

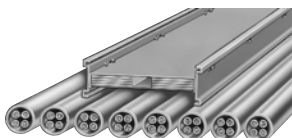
Figure 1 - Ventilated Housing (left) and I-Line II Totally Enclosed Housing (right)



I-Line busway has a modern “totally enclosed housing” design requiring no de-rating regardless of mounting position. Because the housing has no ventilation holes, the entry of dirt and possibility of accidental contact with bus bars is greatly reduced.

Compact Size

Figure 2 - Compact Design



I-Line II busway is compact. The small size means it can be used in locations where feeder circuits would not otherwise be possible. Efficient use of light-weight raw materials is an additional factor in I-Line busway’s compact design.

Finish

I-Line busway users get a tough, durable, and uniform polyester powder coat paint finish, making their busway installations functional and attractive for years to come.

Insulation

UL 857 *Standard for Busways* requires busway systems to be designed not to exceed a total operating temperature of 203°F (95°C). The polyester film and epoxy insulation systems used in the high quality design of I Line II busway provides improved thermal and electrical characteristics over the UL requirements.

Plating

Bus bars for I-Line and I-Line II busway are plated to ensure low surface-to-surface contact resistance and to minimize surface corrosion. Aluminum bus bars are electroplated with a coat of tin after preparation with the ALSTAN 80 process. Copper bus bars are plated with a layer of silver that is flashed onto the surface of the bus bars.

Dielectric Testing

Underwriters Laboratories (UL) and the Canadian Standards Association (CSA) require a one-time dielectric test for all new busway designs prior to certification. This test, at two times rated voltage plus 1000 Vac (2200 Vac), is intended to confirm the integrity of the insulation system. I-Line busway passes this test.

Every length and fitting of our busway must also pass a 7500 Vdc hi-pot test before shipment from the factory. This additional test helps ensure the highest quality busway possible.

Visi-Tite™ One Bolt Joint

Figure 3 - Visi-Tite Bolt



I-Line busway incorporates the “one bolt” joint principle. This joint design uses a high-strength

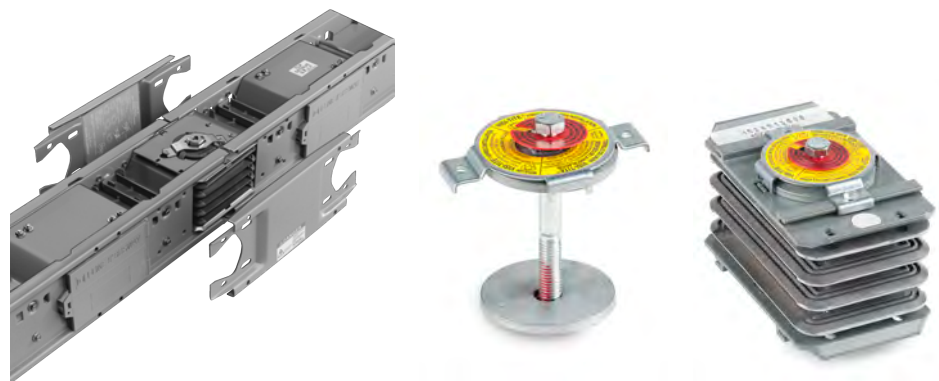
(Grade 5) Visi-Tite bolt to provide a clamping force of over 4000 pounds. The force is distributed over the contact area by a pair of large diameter, spring steel, cupped conical washers. On higher ampere ratings (2000 A or above) two or three joint bolts are used—one for each set of bus bars. Our “one bolt” principle replaces older designs that required up to 32 nuts, bolts, and washers for each set of bus bars. The Visi-Tite torque indicating joint bolt is standard on all busway joints. Insulated and at ground potential, the bolt and nut are both captive to reduce installation time.

Fast, accurate torquing is a snap with Visi-Tite double-headed bolts. There’s no need for a torque wrench. Use any long-handled wrench to tighten the outer bolt head until it twists off and releases a red plastic warning disc. Any disc remaining during inspection indicates an improperly torqued joint. For maintenance of the joint or when busway is relocated, the VisiTite bolt should be tightened to 70 lb-ft +/- 10 lb-ft (94.92 N•m +/- 13.56 N•m) with a torque wrench.

EZ Joint Pak™ Connector Assembly

I-Line II busway offers an improved single-bolt joint package that can be removed and replaced with an isolation joint pak to electrically isolate busway sections for load shifting and maintenance. It can also be relocated to the opposite end of a length to take care of last minute job changes. The EZ Joint Pak Connector Assembly is shipped pre-assembled with each I-Line II busway length or fitting, providing minimum job site installation labor. The Visi-Tite bolt is a standard feature on all assemblies.

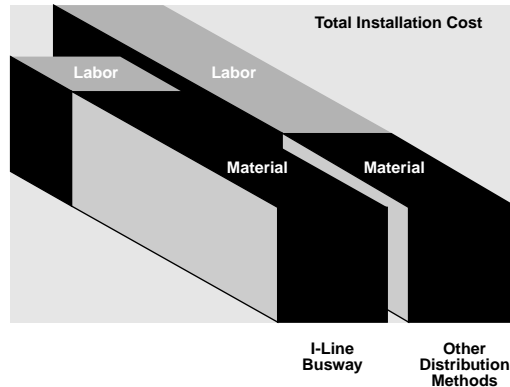
Figure 4 - EZ Joint Pak Connector Assembly



Labor Savings

I-Line II busway installs quicker than other forms of low voltage power distribution. Also, the labor cost required to install I-Line II busway is often much lower. This results in an overall reduction in total installation cost.

Figure 5 - Reduction in Installation Cost



Tie Channels

I-Line II busway uses one set of universal tie channels for all ampere ratings of busway—both feeder and plug-in. This helps speed up busway installation.

Internal Smoke/Gas Barriers

Continuous air spaces inside I-Line II busway housing are closed off with special barriers to help prevent the spread of smoke and gases in the event of a fire in the area of the busway installation. This standard internal barrier allows busway to extend through walls or floors without creating open space for a “chimney effect” fire path.

I-Line busway from 225–600 A requires installation of a special internal barrier for wall or floor penetrations.

Short Circuit Strength

I-Line busway housing construction gives high short circuit ratings. For a description of these ratings, see [Short Circuit Ratings](#).

Voltage Drop

I-Line busway voltage drop is low because of its extremely low reactance. This efficient design allows power to be delivered in an installation with the highest efficiency possible. This makes I-Line busway ideal for efficient power distribution in commercial or industrial facilities.

Outdoor Busway

Outdoor feeder busway is furnished with a housing construction employing a special gasketed design to prevent the entry of rain. Unique engineering and design features allow field installation in any mounting position while still maintaining outdoor integrity. This product symmetry provides for proper installation in all instances. The Visi-Tite bolt is also standard on outdoor busway.

Outdoor busway is normally installed as an IP65 application. To install as an IP66 application, see the I-Line II Outdoor Feeder Busway instruction bulletin no. 45123-922-01.

Universal Fittings

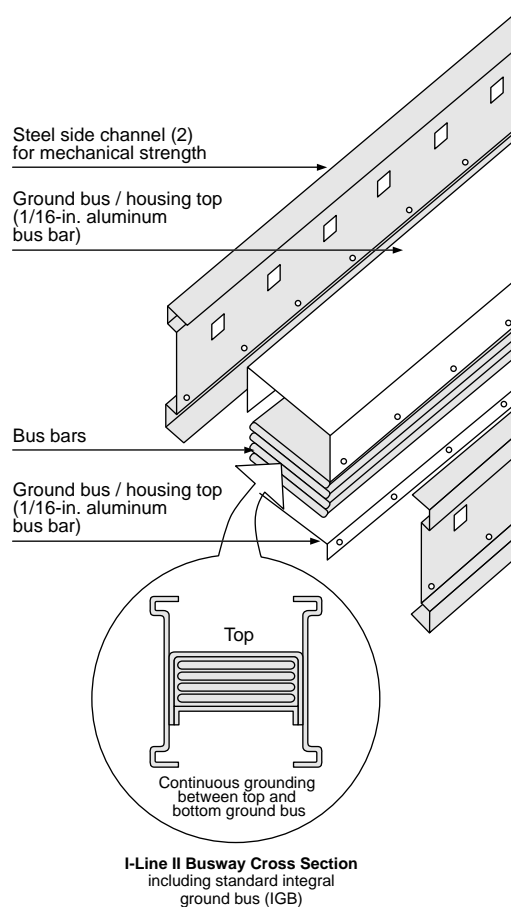
I-Line II busway fittings are designed for use with feeder and plug-in busway straight lengths as well as for continuations of service entrance busway runs. The compact universal fittings allow maximum layout flexibility without the need for special built-to-order combination fittings.

Quality

All I-Line busway products are manufactured in a Schneider Electric facility that has been registered by Underwriters Laboratories to ISO9001: 2015.

Integral Ground Bus

Figure 6 - I-Line II Busway Cross Section



I-Line II busway (800–5000 A) is built with an innovative Integral Ground Bus (IGB) system, proven by many years of use on original I-Line busway installations.

In simple terms, IGB utilizes two 1/16-inch thick ground bus bars to form the housing top and bottom. This provides an integral 50% capacity ground path. Equally important, the two ground bus bars completely encircle the phase conductors and provide a very effective high level ground path for ground faults. Copper integral ground is available as an option.

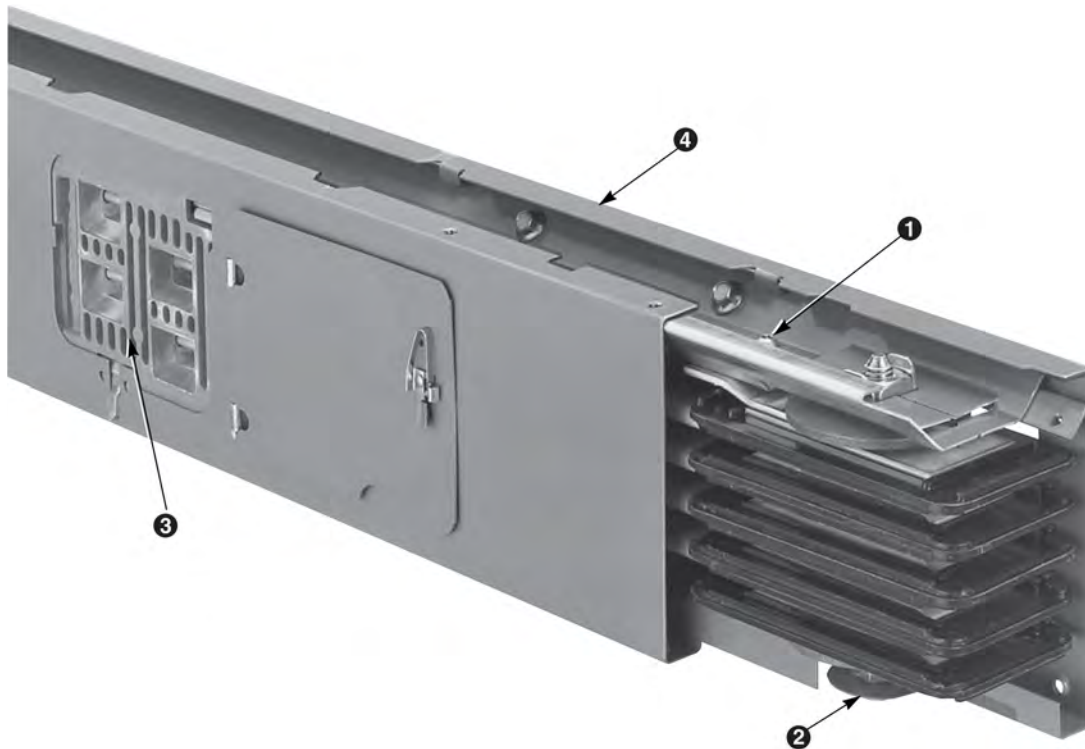
We believe a properly designed ground should be included on all distribution systems. I-Line II busway includes IGB as a standard feature on every rating from 800–5000 A. Integral ground bus is available as an option on 225–600 A busways.

We offer many products and services to fulfill the need for complete and reliable grounding throughout your electrical system. Consult your local Schneider Electric representative for assistance in this very important aspect of proper electrical design.

I-Line Construction

Plug-In Busway 225–600 A

Figure 7 - Example of 225–600 A Plug-In Busway

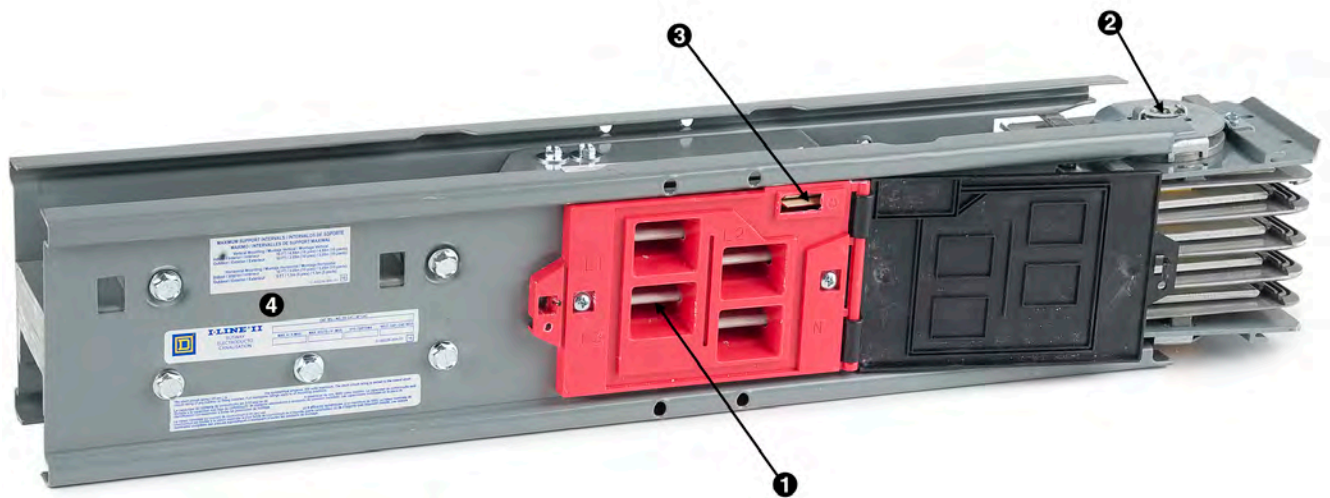


1	Integral Ground Bus (IGB)—furnished as an optional feature for I-Line busway and rated at 50% capacity of the nameplate amperage rating of the busway. The conductor is aluminum and is the top part of the housing itself.
2	Visi-Tite bolt—a double-headed bolt furnished for all joint connectors to ensure proper torque for each connection. A cupped conical washer is also included to ensure equal distribution of pressure across the full joint surface area.
3	Plug-in openings—furnished standard with plug-in openings on 2 ft (61 cm) centers on both sides of I-Line busway. The openings include a hinged door that covers the opening when it is not in use. A 600 A maximum capability is at each plug-in opening. Hangers for the busway fit without blocking access to the plug-in opening.
4	Enclosure—a three-piece formed housing with plug-in openings supported by molded rigid insulators.

NOTE: Insulation for I-Line busway meets UL 857 requirements.

Plug-In Busway 800–5000 A

Figure 8 - Example of 800–5000 A Plug-In Busway



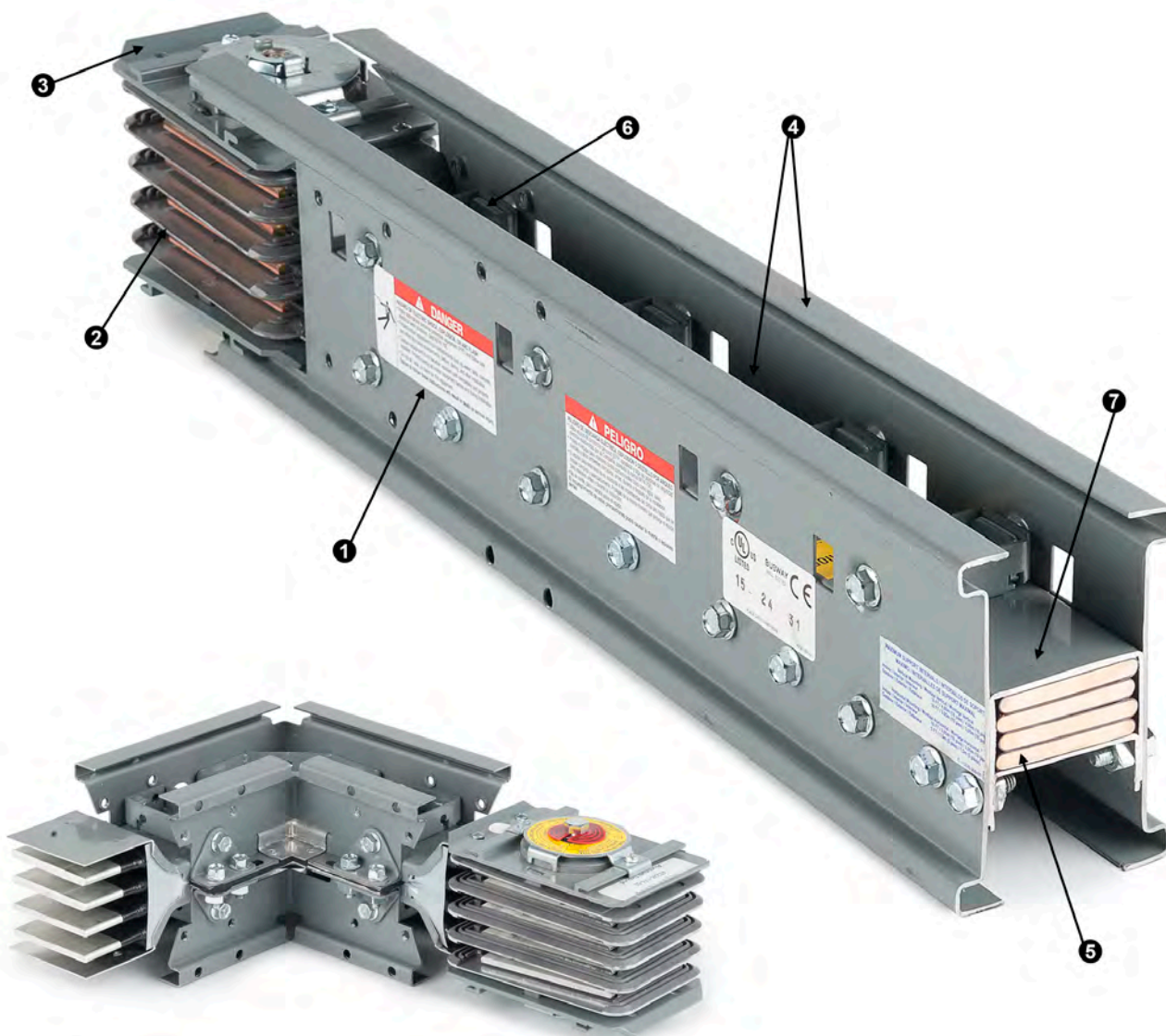
1	Molded plug-in opening insulator—adds insulation and support at plug-in contact area.
2	EZ Joint Pak connector assembly—includes like-phase connector on higher ampere ratings with more than one conductor per phase (plug-in bus only).
3	Ground jaw for plug-in unit—has a “blow-on” design similar to phase jaw connection.
4	Fittings—includes elbows, tees, and flanged ends that are easily removed and refitted with the use of our EZ Joint Pak assembly without disturbing adjacent lengths.

NOTE:

- Internal barriers are standard on both feeder and plug-in busway. All interior spaces are barriered to stop hot gases.
- Hangers fit both feeder and plug-in busway without blocking access to openings.
- I-Line plug-in units (15–1600 A) fit both original and ILine II busway.
- I-Line II plug-in busway with sandwich construction also includes the feeder-style features shown in Indoor Feeder Busway 800–5000 A.

Indoor Feeder Busway 800–5000 A

Figure 9 - Example of 800–5000 A Indoor Feeder Busway



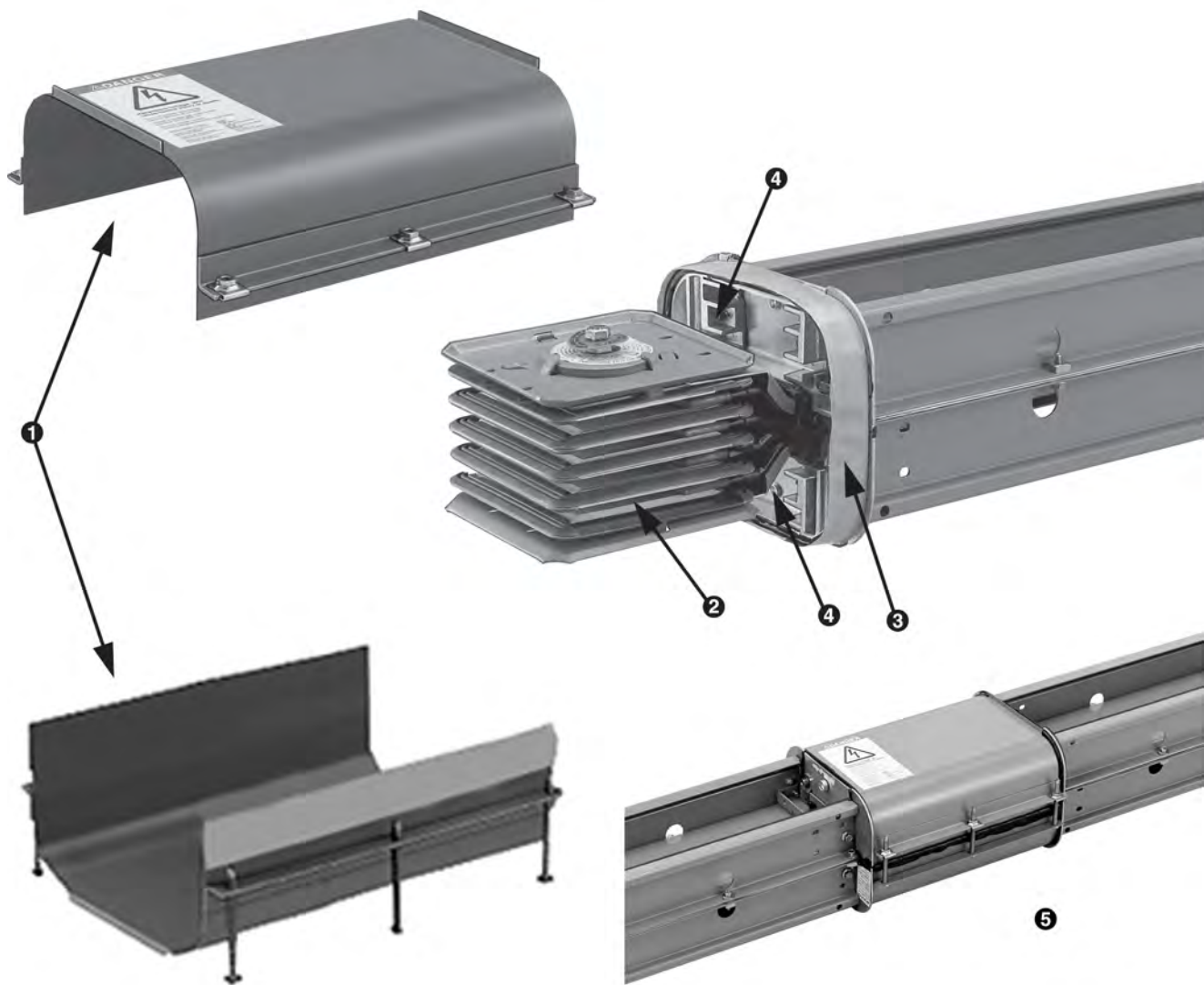
1	Steel housing channels—provides mechanical strength.
2	Molded extra-strength glass fiber interphase barriers.
3	EZ Joint Pak connector assembly—removable for isolation or maintenance. Includes Visi-Tite bolt. EZ Joint Pak connector assembly—removable for isolation or maintenance. Includes Visi-Tite bolt.
4	Steel/aluminum housing—reduces hysteresis and eddy current losses on feeder and plug-in busway.
5	Plated aluminum or copper bus bars.
6	Surge clamps for added short circuit strength.
7	Integral Ground Bus (IGB)—two, 1/16-inch thick aluminum bus bar. Also serves as top and bottom housing.

NOTE:

- Polyester powder paint process—provides lasting uniform performance.
- Housing sizes—the same for I-Line II feeder and plug-in busway. Same accessories fit both.
- Insulation for I-Line busway meets UL 857 requirements.

Outdoor Feeder Busway 800–5000 A

Figure 10 - Example of 800–5000 A Outdoor Feeder Busway



1	Joint covers—two-piece joint cover with quick-fasten nut for speedy installation of the busway.
2	EZ Joint Pak—same joint pack used on our indoor I-Line II busway is continued in our outdoor feeder design.
3	Flanged collar—simple installation of the joint covers is assisted by a smooth flange surface with a factory-installed joint sealant strip. Removing the sealant's protective paper covering and installing the joint covers with the quick fasten nut, seal the joint from water contamination.
4	Removable drain plug—outdoor feeder design includes removable drain plugs to allow condensation to escape from the joints. These drain plugs should be removed only as described in the installation instructions for outdoor feeder busway. Outdoor feeder busway can be installed to achieve an IP66 environmental rating with drain plugs and sealing strips located per the I-Line II Outdoor Feeder Busway instruction bulletin no. 45123-922-01.
5	Completed joint—assembled joint with all installation activities complete.

NOTE: Supports are required on 5 ft (152 cm) centers for vertical mounting or 10 ft (305 cm) for horizontal mounting.

Busway Order Entry Checklist

Listed below are the four basic types of busway applications:

- Service Entrance Run
- Plug-In Type Horizontal Run
- Plug-In Type Vertical Run
- Feeder Type Tie Run

In addition to the information electronically entered into the Product Selectors, the additional information needed to engineer a busway run is listed below. **A busway run can consist of more than one type of application.**

Table 1 - Busway Order Entry Checklist

Type of Application				
1	2	3	4	
SERVICE	HORIZONTAL	VERTICAL	TIE	Busway Order Entry Checklist Order Number: _____ Completed by: _____ Field Office: _____ Date: _____ (X) = Required Information
X	X	X	X	A. Layout sketch of busway run
X	X	X	X	B. All necessary dimensions
X	X	X	X	C. Positions of equipment (fronts or rears)
X	X	X	X	D. Phasing of existing equipment or equipment by others
X	X		X	E. Location of walls (if applicable)
		X		F. Location of floors (floor to floor dimensions)
X	X		X	G. Wall thickness (if applicable)
		X		H. Floor thickness
X			X	I. Location of roof (if applicable)
X			X	J. Roof thickness (if applicable)
X	X	X	X	K. Special requirements noted on busway sketch (e.g., special lugs, critical dimensions)
X				L. Indicate appropriate service device (e.g., tap box, service head, x'fmer. tap, bussed)
X	X	X	X	M. Equipment details if connecting busway to other than Schneider Electric equipment
	X	X		N. Indicate location of plug-in busway on sketch
		X		O. Indicate the side of the busway on which the plug-in units are to be mounted
		X		P. Indicate if there are any curbs where busway passes through floors
		X		Q. Curb thickness (in addition to the floor thickness)
		X		R. Indicate type of vertical hangers (spring or fixed)
X	X	X	X	S. If connecting to existing I-Line, indicate bolt or slot connection
X	X	X	X	T. If connecting to other than Schneider Electric busway, contact your local representative
X	X	X	X	U. Switchboard identification markings noted on busway sketch

NOTE:

1. For detailed illustrations, refer to I-Line Application Data.
2. Missing information will cause delays in order processing and can affect the delivery schedule.
3. If additional assistance is required, contact Schneider Electric at 1-888-778-2733.

I-Line Application Data

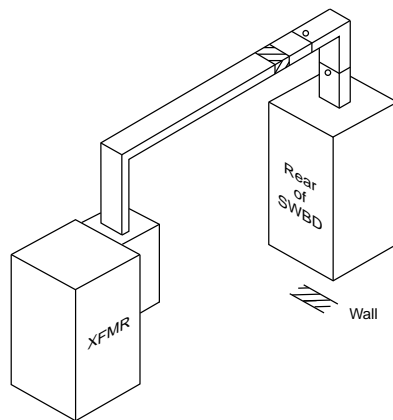
The Four Types of Busway Runs

There are four major types of busway applications. Service Entrance Run, Plug-In Type Vertical Riser, Plug-In Type Horizontal Run and Feeder Type Tie Run illustrate the basic systems.

Service Entrance Run

Service Entrance Run is a typical service entrance run from a utility transformer to a switchboard. Cables connect directly to the busway. (Generally a combination outdoor-indoor application.)

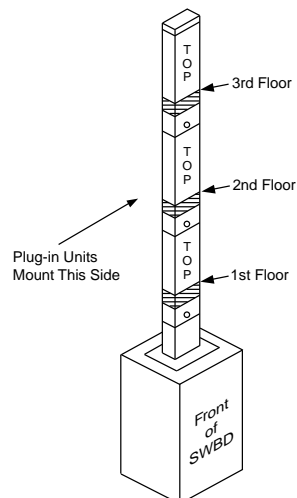
Figure 11 - Typical Service Entrance Run (Utility Transformer to a Switchboard)



Plug-In Type Vertical Riser

Plug-In Type Vertical Riser is a simple plug-in riser fed by a switchboard. (Always an indoor application.)

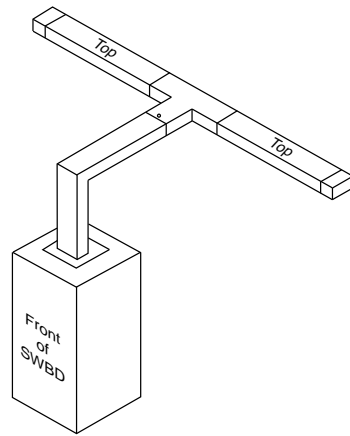
Figure 12 - Plug-In Riser Fed by Switchboard



Plug-In Type Horizontal Run

Plug-In Type Horizontal Run is a simple plug-in run fed by a switchboard through a tee. (Always an indoor application.)

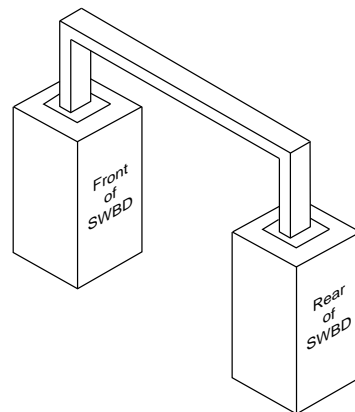
Figure 13 - Plug-In Riser Fed by Switchboard through a Tee



Feeder Type Tie Run

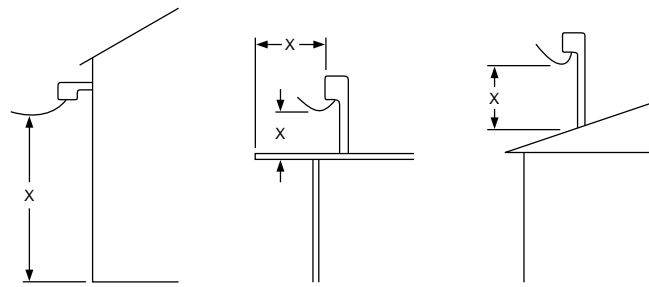
Feeder Type Tie Run is a typical feeder run between two switchboards. (Generally an indoor application.)

Figure 14 - Feeder Run between Two Switchboards



Service Entrance Runs

Figure 15 - Typical Connection of Transformer to Busway using Cables



For X dimensions, refer to NEC® Article 230–24.

I-Line II busway can be used as a service entrance conductor to bring power from a utility transformer into a distribution switchboard. Cable or solid bussing is used to connect to the transformer.

When the transformer is connected to the busway using cables, the governing electrical code can specify height clearance requirements for the cables.

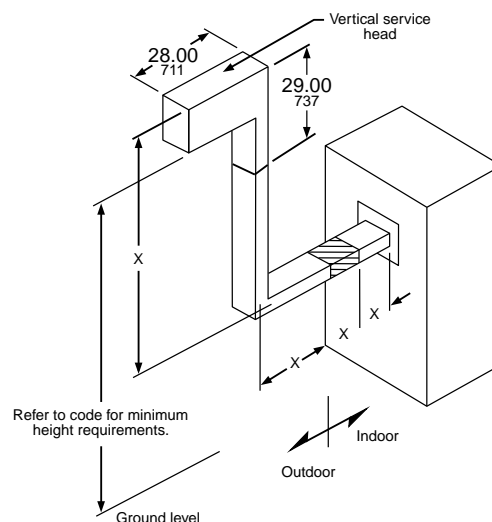
The figure above illustrates the dimensions to consider when planning this type of run.

Service Heads

If the busway specifications or local utility require the service entrance cable-to-busway termination to be enclosed in a weatherproof box, then a service head should be ordered.

If the flatwise busway elevation is too low to allow a cable connection that would comply with the electrical code, the vertical service head (SV) could solve this issue. The SV is attached to busway that exits the rear of the switchboard and is turned upward (see [Typical Vertical Service Head Application](#)) or is attached to busway that exits the top of a switchboard and extends through the roof (see [Vertical Service Head Penetrating a Roof](#)).

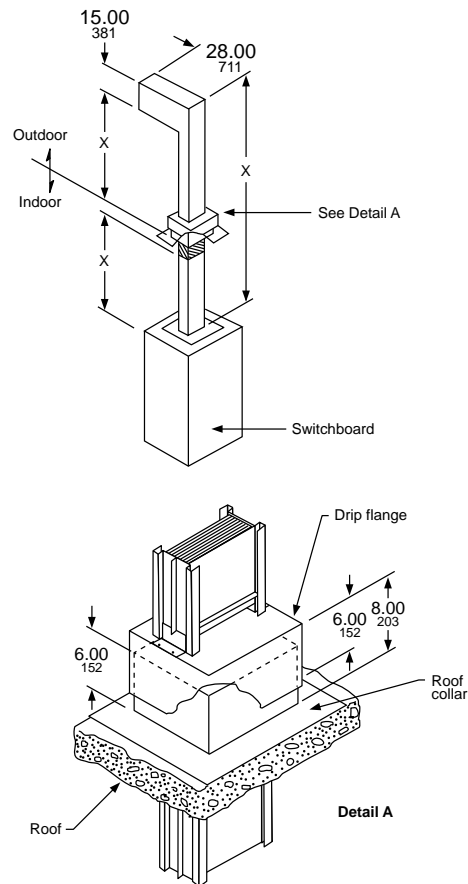
Figure 16 - Typical Vertical Service Head Application



If a vertical service head extends through a roof, the roof must be sealed around the busway. To do this, a fixed collar must be factory assembled onto the section of busway that penetrates the roof. The contractor can then install flashing from the collar to the roof. A roof flange kit can be ordered from the factory to make the flashing job easier. The kit consists of a drip flange and a roof collar. When

installed, the roof collar must be sealed to ensure that no moisture gets indoors. The roof flange kit will accommodate a roof slope up to one inch per foot. See Detail A in Vertical Service Head Penetrating a Roof.

Figure 17 - Vertical Service Head Penetrating a Roof

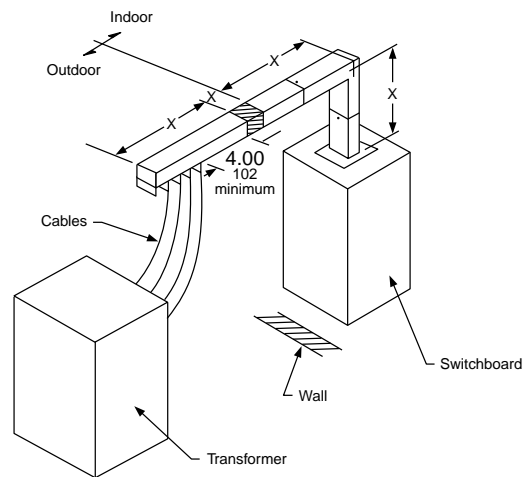
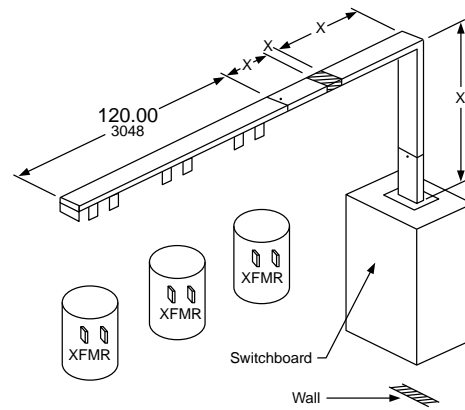


Transformer Taps

A transformer tap performs the same function as a service head, except that the lugs and bussing to which the service entrance cables are connected are not enclosed in a weather-proof enclosure.

A flatwise service head (SB) with the box removed is therefore a transformer tap (SF). An SF is a transformer tap for one three-phase transformer. Transformer Tap (One 3Ø Transformer) illustrates a typical SF service entrance run.

If three single-phase transformers are supplied by the utility to deliver power to the customer, a separate transformer tap has been designed for this application. This transformer tap is known as a "TTF" and is shown in Transformer Tap (Three 1Ø Transformers).

Figure 18 - Transformer Tap for One Three-Phase Transformer**Figure 19 - Transformer Tap for Three Single-phase Transformer**

Bussed Transformer Connections

If required, the factory can provide a bussed transformer connection. **This type of connection will include flexible connectors from the low voltage spades of the transformer to the busway connectors.** These flexible connectors allow for busway expansion and contraction on the low voltage spades. Positioning of these flexible connectors is critical for proper alignment between the busway and transformer.

Bussed transformer connections are made for two types of transformers. One type has a low voltage throat as shown in Information Needed for Bussed Transformer Connection (Throat Type), and the other is a pad-mounted type with a low voltage compartment as shown in Information Needed for Bussed Transformer Connection (Pad-Mounted Type).

Figure 20 - Information Needed for Bussed Transformer Connection (Throat Type)

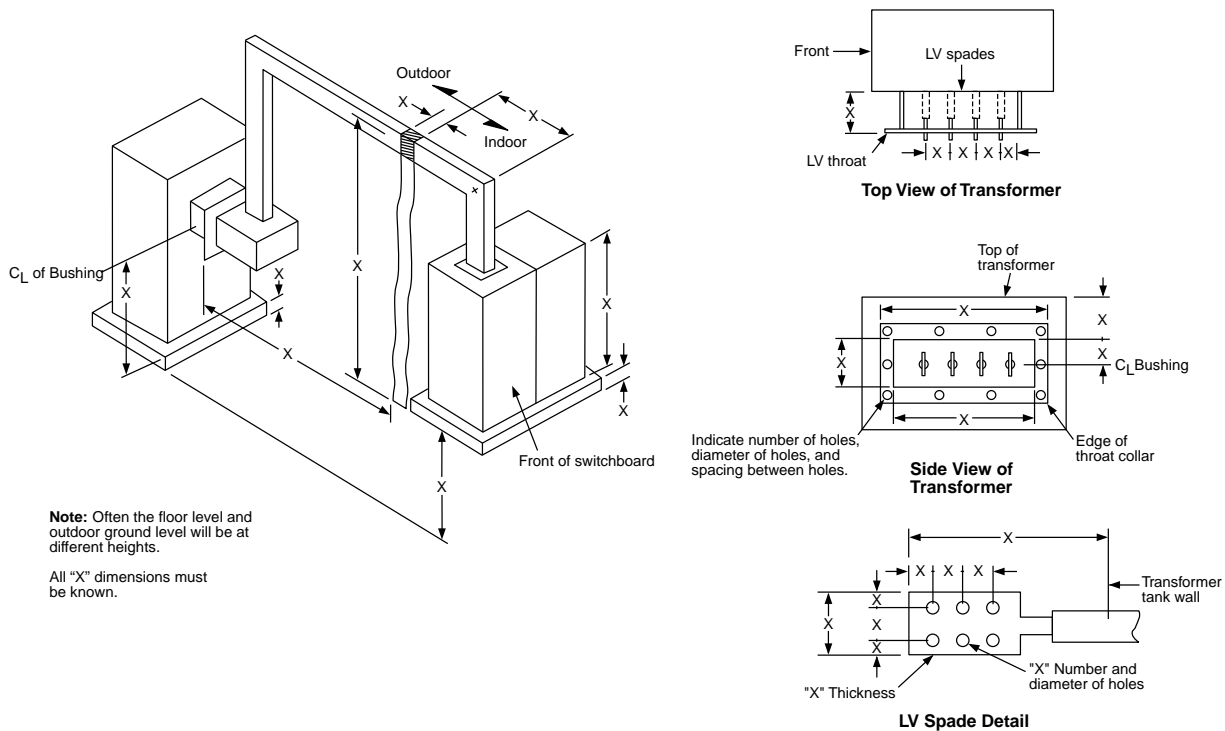
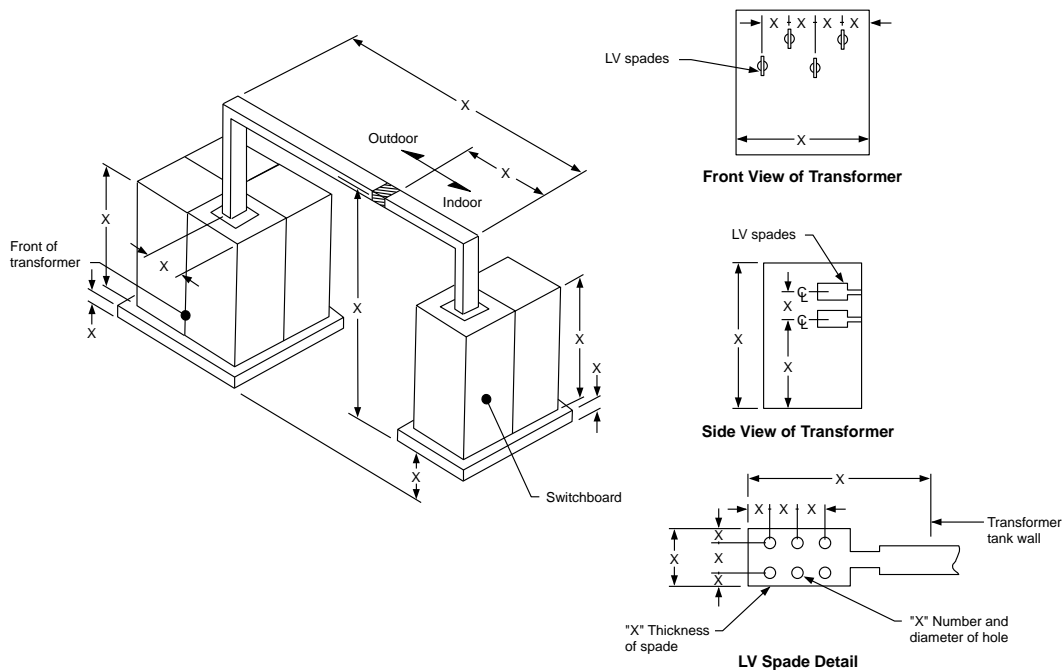


Figure 21 - Information Needed for Bussed Transformer Connection (Pad-Mounted Type)

Phasing

With bussed transformer connections, it is necessary to properly coordinate the phasing of the transformer and of the switchboard it supplies. Schneider Electric can coordinate the phasing for you. Simply supply the name of the transformer manufacturer and phasing details of the low voltage side.

Other Service Entrance Connections

Occasionally, the customer or local utility will require a service entrance connection that differs from our standards. In this case, be sure to inform your Schneider Electric representative of any special dimensions, such as required height of service head from ground or floor, spacing between phase bars, number and type of lugs, distance from lugs to wall, phasing, etc.

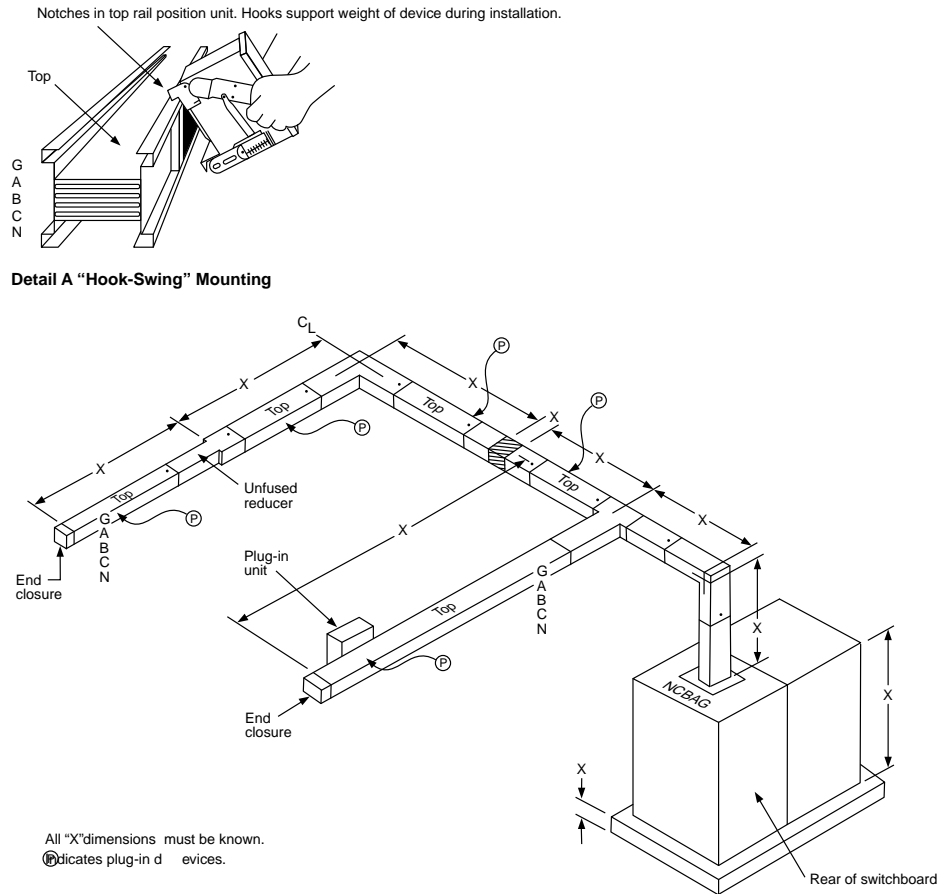
Plug-In Busway Horizontal Run

Plug-in busway is used as a means of bringing power from a distribution switchboard to multiple loads throughout a building or manufacturing facility.

Phasing

A typical I-Line II plug-in run is shown in *Measurements Needed for a Typical Plug-In Type Run*. The phasing shown on the plug-in busway is "GABCN" top to bottom, with the top located as shown for a horizontal run. This phasing arrangement must always be followed to help ensure proper phasing of the plug-in units (see Detail A). Because this busway phasing must be followed, it is the busway that will determine the phasing of the switchboard.

NOTE: Plug-in busway has the integral ground bus plug-in jaw on the top side only.

Figure 22 - Measurements Needed for a Typical Plug-In Type Run

Identification

When submitting busway run sketches for review, ensure that the plug-in busway sections are marked (P). See [Measurements Needed for a Typical Plug-In Type Run](#).

Plug-In Risers

I-Line II plug-in busway can be utilized for the entire vertical riser. There is no need to use feeder busway to penetrate the floors. This feature enables the use of more plug-in openings per floor of the riser. (Plug-in risers under 800 A require internal barriers where the busway passes through a floor.)

Dimensions

The riser in [Typical Information Needed for Riser](#) has been fully dimensioned. Note that the feeder style busway has been used out of the switchboard and the two 120-inch (3048 mm) sections of plug-in style busway on the second and third floor do not have a joint located in or near the floor. Refer to [Feeder Runs](#) for a discussion and detail of joint accessibility requirements.

[Typical Layout—800 A Rise](#) shows typical dimensions that are known to ensure an accurate installation: floor-to-floor height, floor thickness, exact layout of multiple run riser, closet dimensions, the type and quantity of plug-in tap units per floor, which side of the busway the units should mount on, and (if necessary) the desired height of the units from the floor.

Figure 23 - Typical Information Needed for Riser

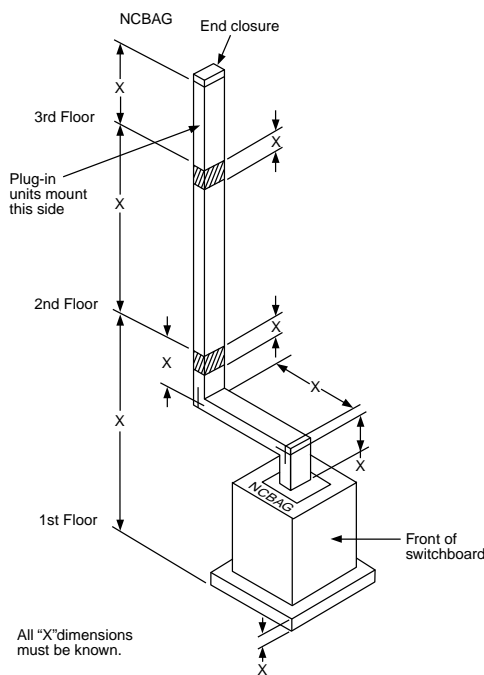
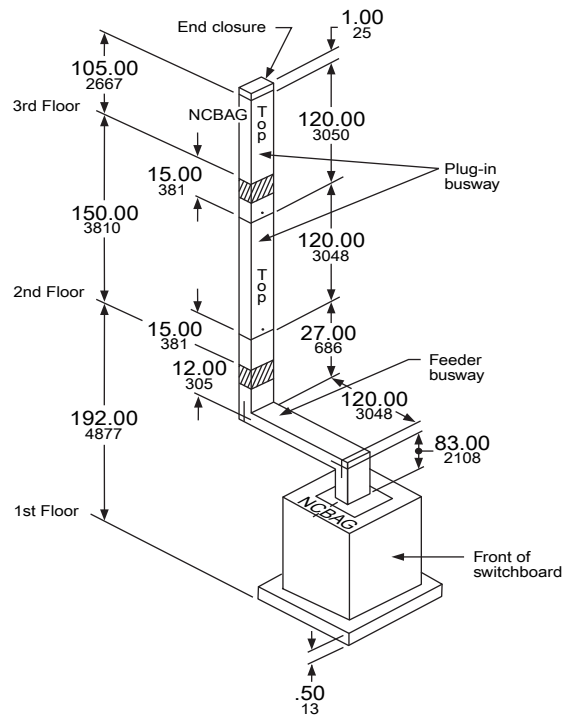
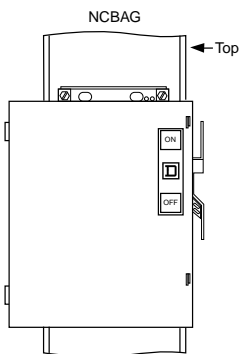


Figure 24 - Typical Layout—800 A Rise



Riser Installation and Phasing

Figure 25 - Correct Orientation of Riser Busway



Circuit breaker types 250 A and below and the 30 A, 60 A, and 100 A fusible type plug-in units can be mounted on either side of the busway in riser installations.

When fusible type plug-in units are being supplied, the location of the plug-in unit determines the phasing of the busway. NEC Article 404.6 and CEC Article 14.502 state: *“Single throw knife switches shall be mounted so that gravity will not tend to close them.”* It is essential that the busway is oriented with the correct side available for the insertion of the units.

To determine the correct busway orientation (based on where the plug-in units mount for your installation), please contact your local representative for assistance and coordination.

Correct Orientation of Riser Busway shows the correct mounting and phasing of the riser busway and plug-in unit.

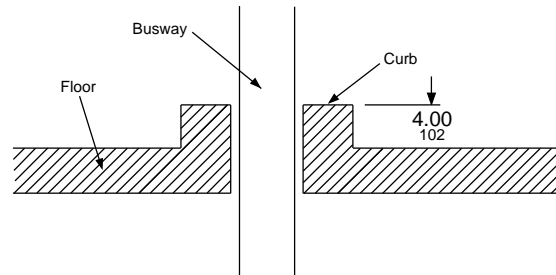
NOTE: The face labelled “TOP” **must be** installed as shown on the installation drawings provided with your project.

Special Manufacturer's Recommendation

The NEC requires that a waterproof curb is installed at each floor opening where busway passes through (see [Waterproof Curb Recommended at Floor Opening](#)). An unprotected floor opening can act as a funnel for plumbing leaks, sprinkler system leaks, fluid spills, and other types of contamination.

The cost of removing and replacing a contaminated busway length far exceeds the cost for including a waterproof curb when the floors are poured.

Figure 26 - Waterproof Curb Recommended at Floor Opening



Dimensions: $\begin{matrix} \text{in.} \\ \text{mm} \end{matrix}$

Once busway is installed through a floor opening, the remaining unused area must be filled to prevent smoke from passing floor-to-floor (chimney effect) in case of fire in the building. Some recommended materials are fire-rated foam and caulk. Grouting is also acceptable, but it must be applied in a very dry form to prevent water and contaminants from entering the busway once the grouting cures and the water leeches out. Check with your local inspector to determine the appropriate materials to use in filling the void around the busway.

Plug-In Units

When entering an order, the factory must know not only which side of the busway the plugs will mount on, but also the type and quantity of plugs to use on each floor. Also, notify the factory if the plugs need to be mounted at a certain height from the floor.

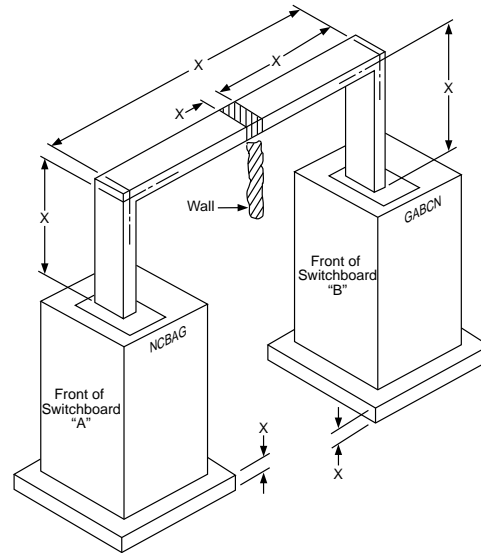
Hangers

Spring hangers are recommended for riser applications. When properly installed and maintained, spring hangers compensate for expansion and contraction of the busway, as well as shrinkage of the building. In riser applications, support for busway must be provided at intervals not exceeding 16 ft (488 cm).

Feeder Runs

Feeder type runs are normally used for distributing power to loads that are concentrated in one area. Typical connections are switchboard-to-switchboard tie runs (see [Measurements Needed for Feeder Type Run](#)), or a switchboard feeding a remote motor control center (MCC).

Figure 27 - Measurements Needed for Feeder Type Run



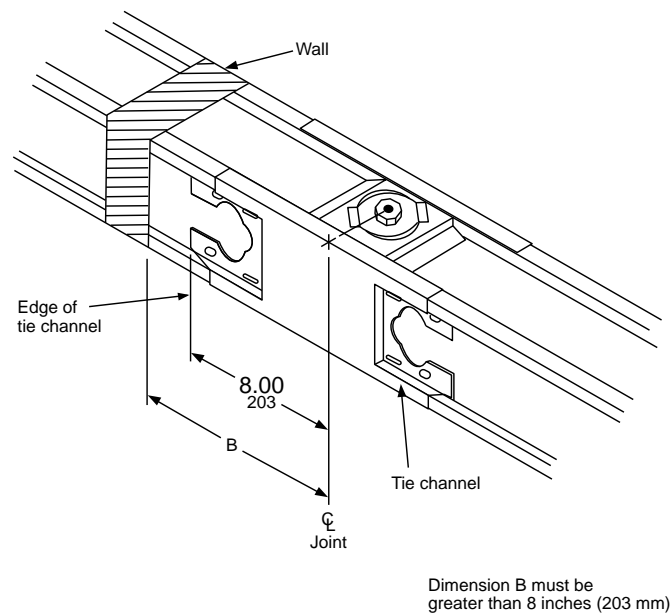
Dimensions: in.
mm

Busway Through Walls and Floors

When 800–5000 A busway extends through a wall or floor, feeder or plug-in busway can be used. For runs under 800 A, plug-in busway will be used throughout. In all cases, wall or floor location must be specified.

According to CEC Article 12.2000 and NEC Article 368.10, busway must be installed so that supports and joints are accessible for maintenance purposes after installation. This implies that no part of the tie channel can be inside the wall. Therefore, the distance from the center line of the joint to the wall must be greater than the distance from the center to the edge of the tie channel (see [Joint Accessibility Requirements](#)). If the dimensions of the tie channel cannot easily be determined, it is best to keep the joint at least 12 inches (305 mm) from the wall. This will ensure proper joint clearance for any type of busway passing through a wall or floor.

Figure 28 - Joint Accessibility Requirements



Dimensions: in.
mm

I-Line Layout and Measurement

Known Information

From the bid documents, specifications, and/or factory drawings, the following information is known:

- Busway is to be 1600 A, 3Ø4W, 50% GND, aluminum feeder busway. Width is determined to be 8.84 in. (225 mm).
- Switchboard is 7 ft x 7.5 in. (213 cm x 191 mm) high, 3 ft (91 cm) wide, and 2 ft (61 cm) deep. Busway connection to be in top center.
- Motor control center is 7 ft x 7.5 in. (213 cm x 191 mm) high with a 1 ft (30 cm) additional height pull box for busway connection; 20 in. (508 mm) wide; 20 in. (508 mm) deep. Busway connection is in top center.
- Bottom of busway (BOB.) to be installed 16 ft (488 cm) above finished floor (AFF) unless obstructed.

1. Determine the physical size of the busway housing.

This information lets you know how far to stay away from obstructions. In our example, *Physical Size of Busway Housing*, the busway is 8.84 in. (225 mm) wide and 5.88 in. (149 mm) high (9 in. x 6 in. (229 mm x 152 mm) nominal).

2. Review the area where the busway could be installed (if not already specified).

NOTE: Special conditions such as building expansion joints, steel changes, HVAC equipment, and plumbing lines.

3. Measure all dimensions from fixed points.

Measure dimensions such as columns, walls, or other building structures. Try to leave at least 4 in. (102 mm) between the busway and any obstructions. *Plan View Switchboard, MCC, and Obstructions* shows the switchboard and MCC locations, the obstructions, and the dimensions to fixed points.

4. Start dimensional layout from the fixed end.

Sketch the proposed busway routing, noting elevations and obstructions (see *Proposed Busway Layout*).

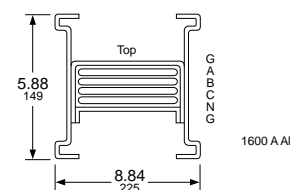
5. Route the busway above the bottom of the building steel, unless specified.

For industrial applications, this protects the busway from damage by forklifts, cranes, etc. The busway must be supported by drop rods or from below. Do not route busway where it cannot be adequately supported.

6. When selecting the elevation for plug-in busway, remember that overcurrent devices (plug-in units) can require different mounting clearances.

Referring to the sample busway layout (see *Proposed Busway Layout*), enough information is known to tabulate the amount of busway footage needed and the required fittings (e.g., flanged ends, elbows). A copy of the figure could help your local representative with pricing your job and also could be forwarded to the factory to aid in preparation of approval or record drawings.

Figure 29 - Physical Size of Busway Housing



Dimensions: in.
mm

I-Line Installation, Special Features, and Services

Installation Recommendations

To make the busway installation proceed as quickly and efficiently as possible, a few preliminary steps should be taken.

1. Familiarize yourself with the busway routing. If record drawings were supplied by the factory, have a copy accessible to the installers.
2. Inspect busway for damage when received. Store busway in a clean, dry location.
3. Have the following tools available for the busway installation:



- 1/2-in. (13 mm) nut driver or socket and ratchet
 - Torque wrench or breaker bar with 5/8-inch (16 mm) head
 - 3/4-in. (19 mm) socket for torque wrench or breaker bar
 - Busway assembly tool (AT-2) for 800–5000 A (provided by Schneider Electric)
 - Level
 - 6 ft. tape measure or wooden ruler
 - Busway insulation tester (“megger,” 1000 V recommended)
4. Carefully read the installation instructions for all devices and NEMA Publication BU 1.1 provided with the busway before installing any of the equipment. This will help ensure proper installation and operation procedures are followed for the busway system being installed. Note the instructions call for the busway to be “megger” tested before and after installation.
 5. Install busway hangers and supports. The most common method of supporting the busway hangers is threaded drop rods (or all thread), which the installer must supply.
 6. Anticipate the weight of the objects being installed so the necessary lifting devices and manpower are available.
 7. If any problems are encountered or questions arise, contact your local Schneider Electric representative.
 8. Once the installation of the busway is complete, NEMA Publication BU 1.1 should be delivered to the facility owner for his or her use in operating and maintaining the busway system.

Painting Installed Busway Systems

A busway system that includes plug-in units can be painted after installation. However, all precautions must be taken to prevent the paint from coming in contact with conductors and insulation. All nameplates and labels (safety labels, serial number labels, UL labels, etc.) must remain visible and legible.

Hanger Spacing

Normally, the support for outdoor busway is in the form of a customer-supplied T-stand type device. However, hangers are available from Schneider Electric when drop rods can be used.

Maximum support intervals include:

- Vertical mounting
 - indoor–16 ft (488 cm)
 - outdoor–10 ft (305 cm)
- Horizontal mounting
 - indoor–10 ft (305 cm)
 - outdoor–5 ft (152 cm)

Maintenance Recommendations

Figure 32 - General Danger Safety Label

⚠ DANGER

HAZARD OF ELECTRIC SHOCK, EXPLOSION, OR ARC FLASH

- Apply appropriate personal protective equipment (PPE) and follow safe electrical work practices. See NFPA 70E, NOM-029-STPS-2011, and CSA Z462.
- This equipment must be installed and serviced only by qualified personnel.
- Perform such work only after reading and understanding all of the instructions contained in this bulletin.
- Turn off all power supplying this equipment before working on or inside equipment.
- Before performing visual inspections, tests, or maintenance on this equipment, disconnect all sources of electric power. Assume all circuits are live until they are completely de-energized, tested, and tagged. Pay particular attention to the design of the power system. Consider all sources of power, including the possibility of backfeeding.
- Always use a properly rated voltage sensing device to confirm power is off.
- Handle this equipment carefully and install, operate, and maintain it correctly in order for it to function properly. Neglecting fundamental installation and maintenance requirements may lead to personal injury, as well as damage to equipment or other property.
- Disconnect the neutral connection at any Surge Protective Device (SPD) or other electronic device prior to performing electrical insulation resistance tests; reconnect to the device after testing.
- Carefully inspect your work area and remove any tools and objects left inside the equipment.
- Replace all devices, doors, and covers before turning on power to this equipment.
- All instructions in this bulletin assume that the customer has taken these measures before performing maintenance or testing.

Failure to follow these instructions will result in death or serious injury.

NEMA Publication BU 1.1 is provided with each busway project as a guide for proper installation, operation, and maintenance of busway products. This publication addresses such areas as inspection of all electrical joints and terminals for tightness, preventing the entry of water and contaminants into the busway, instructions for what to do if water and contaminants do enter the busway,

and other maintenance topics. This publication is also available upon request by contacting your local Schneider Electric representative.

Other publications Schneider Electric recommends to help ensure the highest quality of product performance are as follows:

- NFPA 70–National Electrical Code (U.S.)
- NFPA 70B–Maintenance of Electrical Equipment
- NEMA BU 1–Busway Standard published by the National Electrical Manufacturers Association

CSA C22.1–Canadian Electrical Code, Part 1

Special Busway Construction

This section outlines requirements for busways with features other than our standard.

Special Paint

I-Line busway can be provided in colors other than ANSI 49 gray for an additional fee. The special color requested should be specified by an ANSI color code at the time of order entry. With typically lengthened lead times for special color parts, it is imperative to provide this information as early as possible in the order process so delivery commitments can be met.

Low Current Density Busway

Some customers require a lower current density busway than our standard for rigorous duty in their installation. Schneider Electric has developed a range of busway for the most commonly requested current density of 1000 A per square inch for copper busway and 750 A per square inch for aluminum busway. If you require this current density for your installation, specify it, and we can meet your need. If you have requests for another specific current density, contact your local Schneider Electric representative.

Riser Plug-In Busway

Schneider Electric also offers an I-Line II plug-in busway specifically designed for installation in riser closets of high-rise buildings. This plug-in busway has a plug-in door on the front side that faces out into the room. The back of the busway, which faces the wall, is blanked off with a feeder bus side rail.

This design provides a plug-in busway ideally suited for riser cabinets and gives the customer only the necessary plug-in openings. The catalog number for this device is the same as our plug-in busway, except an R is substituted for the P. (Example: if the standard plug-in busway prefix is AP2512G, the riser busway prefix is AR2512G.)

Splash Resistant Busway

Some indoor busway is subject to occasional water exposure, such as roof leaks or sprinklers. While this application does not require the full protection of outdoor busway, additional protection is needed for the indoor busway. The splash resistant feature is tested to the International IEC 60529 standard and is rated as IP54. This rating specifies protection from dust (“limited ingress permitted with no harmful deposits”) and water (“splashed from all directions with limited ingress permitted”).

This feature is available as an option with indoor plug-in and feeder busway. It is identified by the addition of “M54” at the end of the standard catalog number.

Harmonic Busway

To properly allow for the impact of total harmonic distortion (THD), a busway solution must address both the current capacity of the neutral and the ability to dissipate the heat generated with the maximum anticipated load. The increased neutral currents will result in additional heating of all phase conductor bars, therefore de-rating of the busway is necessary.

With the Schneider Electric harmonic busway solutions, the neutral is sized to carry the full current of the expected harmonic load, while the increased cross section of the phase conductors dissipates the added heat generated within the busway.

There are two harmonic busway offers available:

- **15%<THD<35%** rating (letter X in the catalog number)
- **THD>35%** rating (letter Y in the catalog number)

For example, if the standard busway prefix is AP2512G, the THD>35% harmonic busway prefix is APY2512G.

Seismically Qualified Busway

I-Line busway has been seismically qualified to meet the seismic provisions of the International Building Code (IBC), California Building Code (CBC), and ASCE/SEI 7 based on triaxial shake table testing following the code recognized test protocol ICC ES AC156. All qualification shake table testing was conducted by an independent test facility to verify compliance to an $I_p = 1.5$ by verifying post test equipment functionality as required by ASCE 7 for equipment that is part of a seismic designated system.

The shake table earthquake simulation subjected the busway test specimens to dynamic demands that can be more severe than the earthquake codes for most locations. A certificate of self certification is available on request from your local sales office and is based on site-specific, code-defined, seismic demand requirements for the installed location information supplied to Schneider Electric.

The qualified busway equipment must be installed, anchored, and restrained in accordance with Schneider Electric installation guidelines. For the purpose of seismic restraint design, the center of gravity is centrally located for all outside linear dimensions for each section or device (as listed along with their respective weights). Anchorage of equipment to the primary building structure is required to validate seismic certification of the equipment. The structural engineer or design engineer of record is responsible for design of the code compliant seismic restraint system for the building equipment. Schneider Electric is not responsible for the specification and performance of seismic restraint and anchorage systems.

Services

Schneider Electric offers a wide range of services to make the use of I-Line busway as simple as possible. A summary of these services follows:

Busway Measuring and Layout Service

Schneider Electric can provide full-site measuring and coordination of a busway installation. This service is ideal for large complicated projects requiring close coordination with other services. This service must be requested at the time of specification and order entry. Refer requests for this service to your local Schneider Electric representative.

Emergency Service

Trained and qualified busway personnel are on call 24 hours a day to assist in your emergency busway needs. Call Schneider Electric at 1-888-778-2733.

“Missing Link” Program

The “Missing Link” program is designed specifically to help a customer correct last minute changes to a project using busway. Those changes could include an unplanned obstruction requiring the busway to be rerouted, incorrect measurement of the busway run, or the need to order additional pieces to supplement busway previously ordered. The program applies to the United States, Canada, and Mexico, and guarantees shipment of factory-built busway in five to seven working days, or Schneider Electric pays for the premium freight. For complete details of the program, contact Schneider Electric at 1-888-778-2733.

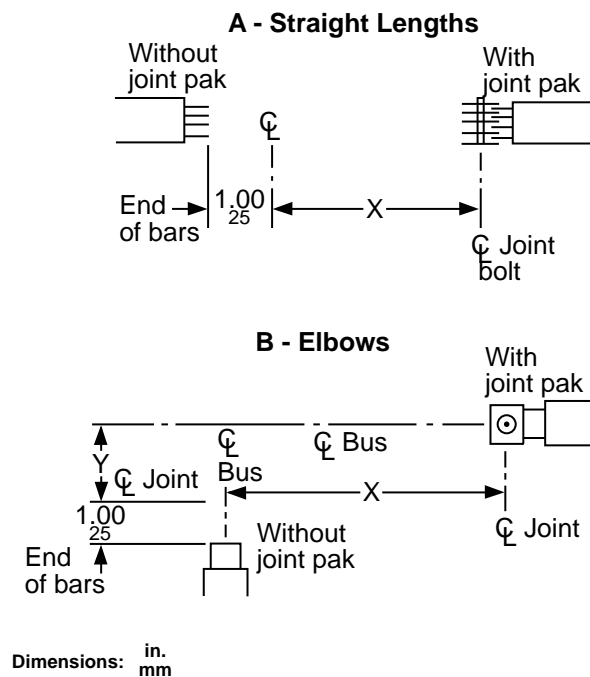
How To Properly Measure Your Missing Link Dimensions

All missing link dimensions should be measured to the nearest whole inch from centerline of joint to centerline of joint, or centerline of joint to centerline of busway.

As shown in Missing Link Dimensions, diagram “A–Straight Lengths,” the centerline of the joint is located at the joint bolt on the end with a joint pack installed. If the joint pack is not installed, the centerline of the joint is one inch (25 mm) from the end of the bus bars.

If it is necessary to measure an elbow, the dimensions X and Y (shown in Missing Link Dimensions, diagram “B–Elbows”) are all that’s needed. Be sure to measure from centerline of joint (as described above) to centerline of busway housing. You must also specify whether an edgewise or flatwise elbow is required. Flatwise Elbows–Application Data lists the standard minimum elbow dimensions for each amperage.

Figure 33 - Missing Link Dimensions



I-Line Electrical Data

Electrical Data

- **Standards:** UL857 (File Number E22182); CSA C22.2 No. 27-1973 (File Number LL-61778)
- **Systems:** AC–3Ø3W, 3Ø4W, 1Ø2W, 1Ø3W, DC-2 Pole. All neutrals are 100% capacity.
- **Voltage:** 600 Volts AC/DC, 50 Hz and 60 Hz
- **Ground:** 50% capacity as standard for 800–5000 A, as an option on 225–600 A
- **Enclosure:** Indoor and outdoor (800–5000 A only)

NOTE: All values are for thermal rated busway. Contact Schneider Electric for other options such as low current density rated, harmonic rated, and IP54 rated.

Short Circuit Ratings

Table 2 - Short Circuit Ratings: UL 3-Cycle Test (kA, RMS Symmetrical)

Ampere Rating	Aluminum				Copper			
	AOF2 / AF2	AOFH2 / AFH2	AP / AP2	APH / APH2	COF2 / CF2	COFH2 / CFH2	CP / CP2	CPH / CPH2
225	—	—	22	—	—	—	22	—
400	—	—	22	42	—	—	22	42
600	—	—	22	42	—	—	22	42
800	50	85	50	75	50	85	50	75
1000	50	100	50	100	50	85	50	75
1200	50	100	50	100	50	100	50	100
1350	50	100	50	100	50	100	50	100
1600	50	100	50	100	50	100	50	100
2000	100	150	125	150	50	100	65	100
2500	100	150	125	150	100	150	125	150
3000	100	150	125	150	100	150	125	150
3200	—	—	—	—	100	150	125	—
4000	150	200 ¹	200	—	150	200 ¹	200	—
5000	—	—	—	—	150	200 ¹	200	—

1. Certain fittings are UL rated at 150 kA RMS symmetrical.

Table 3 - Short Circuit Ratings: 6-Cycle and 30-Cycle Tests (kA, RMS Symmetrical)

Ampere Rating	Aluminum				Copper			
	AF2, AOF2, AP2		AFH2, AOFH2, APH2		CF2, COF2, CP2		CFH2, COFH2, CPH2	
	6-Cycle	30-Cycle	6-Cycle	30-Cycle	6-Cycle	30-Cycle	6-Cycle	30-Cycle
800	42	35	75	52	42	35	65	45
1000	50	35	100	70	50	35	75	52
1200	50	35	100	70	50	35	100	70
1350	50	35	100	70	50	35	100	70
1600	50	35	100	70	50	35	100	70
2000	100	70	150	105	50	35	100	70
2500	100	70	150	105	100	70	150	105
3000	100	70	150	105	100	70	150	105
3200	—	—	—	—	100	70	150	105
4000	150	105	200 ²	140 ²	150	105	200 ²	140 ¹²
5000	—	—	—	—	150	105	200 ²	14 ²

Table 4 - Short Circuit Ratings: KA, RMS Symmetrical (Series Connected with a Fuse)

Ampere Rating	Aluminum				Copper			
	AF2	AFH2	AP / AP2	APH / APH2	CF2	CFH2	CP / CP2	CPH / CPH2
225	—	—	200	—	—	—	200	—
400	—	—	100	200	—	—	100	200
600	—	—	50	200	—	—	50	200
800	100	200	200	200	100	200	200	200
1000	100 ³	200 ³	100 ³	200 ³	100 ³	200 ³	200 ³	200 ³
1200	100	200	100	200	100	200	100	200
1350	100 ⁴	200 ⁴	100 ⁴	200 ⁴	100 ⁴	200 ⁴	100 ⁴	200 ⁴
1600	100	200	100	200	100	200	100	200
2000	—	200	200	200	—	200	100	200
2500	—	—	200	200	—	200	200	200
3000	—	—	200	200	—	—	200	200
3200	—	—	—	—	—	—	200	200
4000	200	—	—	—	200	—	—	—
5000	—	—	—	—	200	—	—	—

NOTE: 225–600 A busway are connected in series with a Class J or T fuse; 800–5000 A are connected in series with a Class L fuse. All ratings are tested in compliance with UL/CSA standards. All ratings apply for three-pole and four-pole busway.

2. Certain fittings are rated at 150 kA and 105 kA (RMS symmetrical).
3. A 1200 A fuse is used in series.
4. A 1600 A fuse is used in series.

Table 5 - Aluminum I-Line Short Circuit Ratings: KA, RMS Symmetrical (Series Connected with a Breaker)

Ampere Rating ⁵	ANSI Circuit Breaker	Aluminum							
		AF2		AFH2		AP2		APH2	
		480 V Max.	600 V Max.	480 V Max.	600 V Max.	480 V Max.	600 V Max.	480 V Max.	600 V Max.
800	—	—	—	—	—	—	—	—	—
1000	NW16L1	—	—	200	130	—	—	200	130
1200		—	—	200	130	—	—	200	130
1350		—	—	200	130	—	—	200	130
1600		—	—	200	130	—	—	200	130
2000	NW20L1	—	—	200	130	—	—	200	130
2500	—	—	—	—	—	—	—	—	—
3000	—	—	—	—	—	—	—	—	—
4000	—	—	—	—	—	—	—	—	—
5000	—	—	—	—	—	—	—	—	—

Table 6 - Copper I-Line Short Circuit Ratings: KA, RMS Symmetrical (Series Connected with a Breaker)

Ampere Rating ⁵	ANSI Circuit Breaker	Copper							
		CF2		CFH2		CP2		CPH2	
		480 V Max.	600 V Max.	480 V Max.	600 V Max.	480 V Max.	600 V Max.	480 V Max.	600 V Max.
800	—	—	—	—	—	—	—	—	—
1000	NW16L1	—	—	—	—	—	—	—	—
1200		—	—	200	130	—	—	200	130
1350		—	—	200	130	—	—	200	130
1600		—	—	200	130	—	—	200	130
2000	NW20L1	—	—	200	130	—	—	200	130
2500	—	—	—	—	—	—	—	—	—
3000	—	—	—	—	—	—	—	—	—
4000	—	—	—	—	—	—	—	—	—
5000	—	—	—	—	—	—	—	—	—

5. To maintain the short circuit rating of the system, fully rated plug-in units must be used or a system short circuit study must be made to determine the required interrupt ratings of any plug-in units.

Impedance Values

Table 7 - Line-to-Neutral (Milliohms Per 100 Feet)

Ampere Rating	Aluminum Busway			Copper Busway		
	R	X60 Hz	X50 Hz	R	X60 Hz	X50 Hz
225	7.3	3.42	2.85	4.06	3.75	3.12
400	3.71	2.6	2.17	2.13	2.3	1.92
600	2.04	1.59	1.32	2.13	2.3	1.92
800	2.67	0.91	0.76	1.86	1.1	0.92
1000	2.15	0.74	0.62	1.92	1.07	0.89
1200	1.62	0.6	0.5	1.52	0.92	0.76
1350	1.36	0.53	0.44	1.17	0.75	0.62
1600	1.2	0.5	0.42	1.04	0.69	0.58
2000	0.99	0.41	0.34	0.84	0.54	0.44
2500	0.85	0.35	0.29	0.6	0.42	0.35
3000	0.61	0.26	0.22	0.53	0.37	0.31
3200	—	—	—	0.48	0.32	0.27
4000	0.44	0.15	0.13	0.39	0.23	0.19
5000	—	—	—	0.28	0.19	0.15

NOTE:

1. For optimized values on a specific application, contact your local Schneider Electric Representative.
2. Impedance values are for busway operating at 176°F (80°C) temperature.

Table 8 - Resistance Values for Aluminum Integral Ground Bus

Ampere Rating 3Ø3W and 3Ø4W	DC Resistance (Milliohms per 100 Feet)	
	Aluminum Phase Conductors	Copper Phase Conductors
225	8.1	8.1
400	6.4	6.4
600	5.3	6.4
800	4	4.4
1000	3.5	4
1200	3.2	3.5
1350	3	3.4
1600	2.8	3
2000	2.2	3
2500	2	2.2
3000	1.8	2
3200	—	1.7
4000	1.7	1.7
5000	—	1.7

NOTE: Resistance values are for integral ground bus operating at 176°F (80°C) temperature.

Voltage Drop Data (60 Hz At Rated Load)

The values expressed below are based on a single concentrated load at the end of the busway run. For distributed loading, divide the values shown by two (2).

Table 9 - Power Factor–Average Phase Line-To-Line Voltage Drop in Volts Per 100 ft (3048 cm)

Ampere Rating	Power Factor – Aluminum Busway							Power Factor – Copper Busway						
	100	90	80	70	50	30	20	100	90	80	70	50	30	20
225	2.84	3.14	3.08	2.94	2.58	2.12	1.87	1.58	2.06	2.14	2.15	2.06	1.87	1.75
400	2.57	3.1	3.14	3.09	2.84	2.49	2.28	1.48	2.02	2.14	2.17	2.12	1.96	1.86
600	2.12	2.63	2.69	2.66	2.49	2.21	2.04	2.21	3.03	3.2	3.26	3.18	2.94	2.79

Table 10 - Aluminum Busway–Average Phase Line-to-Line Voltage Drop in Volts Per 100 ft (3048 cm)

Ampere Rating	Aluminum Busway – Power Factor %											
	100	95	90	85	80	75	70	60	50	40	30	20
800	3.7	3.91	3.88	3.81	3.72	3.61	3.49	3.23	2.94	2.64	2.31	1.98
1000	3.72	3.94	3.91	3.84	3.75	3.64	3.52	3.26	2.97	2.66	2.34	2
1200	3.37	3.59	3.57	3.52	3.44	3.35	3.25	3.02	2.76	2.49	2.2	1.9
1350	3.18	3.41	3.4	3.36	3.29	3.2	3.11	2.9	2.66	2.41	2.14	1.85
1600	3.33	3.6	3.6	3.56	3.5	3.42	3.32	3.11	2.87	2.6	2.32	2.02
2000	3.42	3.69	3.7	3.65	3.59	3.5	3.41	3.18	2.94	2.66	2.38	2.07
2500	3.68	3.97	3.98	3.93	3.86	3.77	3.66	3.42	3.16	2.87	2.55	2.23
3000	3.17	3.43	3.44	3.41	3.35	3.27	3.19	2.99	2.76	2.51	2.24	1.96
4000	3.07	3.24	3.22	3.16	3.08	2.99	2.89	2.67	2.43	2.18	1.91	1.63

NOTE:

1. For optimized values on a specific application, contact your local Schneider Electric Representative.
2. For balanced 3-phase line-to-line voltage drop 4-wire busway, use values from tables.
3. For balanced 3-phase line-to-neutral voltage drop, multiply values from tables by .577.
4. For single-phase voltage drop, multiply values from tables by 1.15.
5. For other than rated current, multiply values from tables by Actual Current ÷ Rated Current.
For different lengths, multiply values from 60 Hz tables by Actual Footage ÷ 100 ft.
6. Voltage drop calculations for 50 Hz can be made by substituting the appropriate “x” value from Voltage Drop Sample Calculations (60 Hz) into samples No.1 and 2 above. For other frequency values (e.g., 400 Hz), contact your local Schneider Electric representative for assistance.
7. For plug-in distributed loads, divide the voltage drop by 2. See IEEE Standard 141-13.8.3.

Table 11 - Copper Busway—Average Phase Line-to-Line Voltage Drop in Volts Per 100 ft (3048 cm)

Am- pere Rating	Copper Busway – Power Factor %											
	100	95	90	85	80	75	70	60	50	40	30	20
800	2.58	2.92	2.98	2.99	2.98	2.94	2.89	2.77	2.61	2.43	2.23	2.01
1000	3.33	3.74	3.8	3.8	3.77	3.72	3.65	3.48	3.27	3.03	2.76	2.48
1200	3.17	3.61	3.69	3.7	3.68	3.64	3.59	3.43	3.24	3.02	2.78	2.51
1350	2.73	3.14	3.22	3.25	3.24	3.21	3.17	3.05	2.89	2.71	2.5	2.27
1600	2.88	3.33	3.43	3.46	3.45	3.43	3.38	3.26	3.1	2.91	2.69	2.45
2000	2.9	3.34	3.42	3.45	3.44	3.41	3.36	3.23	3.06	2.87	2.65	2.4
2500	2.62	3.06	3.15	3.19	3.19	3.17	3.13	3.03	2.88	2.71	2.52	2.31
3000	2.76	3.23	3.33	3.37	3.37	3.35	3.32	3.21	3.06	2.88	2.68	2.45
3200	2.65	3.06	3.15	3.17	3.17	3.14	3.1	2.99	2.84	2.67	2.47	2.25
4000	2.72	3.09	3.15	3.16	3.14	3.11	3.05	2.92	2.75	2.56	2.35	2.12
5000	2.4	2.78	2.86	2.89	2.89	2.87	2.83	2.73	2.6	2.44	2.26	2.06

NOTE:

1. For optimized values on a specific application, contact your local Schneider Electric Representative.
2. For balanced 3-phase line-to-line voltage drop 4-wire busway, use values from tables.
3. For balanced 3-phase line-to-neutral voltage drop, multiply values from tables by .577.
4. For single-phase voltage drop, multiply values from tables by 1.15.
5. For other than rated current, multiply values from tables by Actual Current ÷ Rated Current
For different lengths, multiply values from 60 Hz tables by Actual Footage ÷ 100 ft
6. Voltage drop calculations for 50 Hz can be made by substituting the appropriate “x” value from Voltage Drop Sample Calculations (60 Hz) into samples No.1 and 2 above. For other frequency values (e.g., 400 Hz), contact your local Schneider Electric representative for assistance.
7. For plug-in distributed loads, divide the voltage drop by 2. See IEEE Standard 141-13.8.3.

Voltage Drop Sample Calculations (60 Hz)

Sample No. 1	Sample No. 2
1000 A aluminum busway at 50% power factor–60 Hz	1000 A copper busway at 50% power factor–60 Hz
Voltage Drop	Voltage Drop
$= \sqrt{3} I (R \cos \theta + x \sin \theta)$	$= \sqrt{3} I (R \cos \theta + x \sin \theta)$
$= \sqrt{3} \times 1000 (.00215 \times .50 + .00074 \times .866)$	$= \sqrt{3} \times 1000 (.00163 \times .50 + .00096 \times .866)$
= 2.97 Volts/100 ft = concentrated load	= 2.85 Volts/100 ft = concentrated load
	= 2.85 ÷ 2 = 1.43 Volts/100 ft = distributed load

I-Line 225–600 A Busway

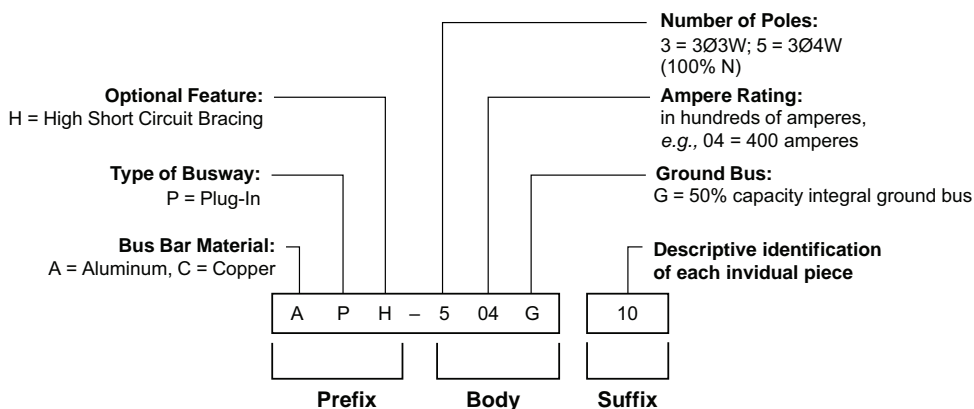
I-Line 225–600 A Busway Catalog Numbering System

Catalog numbers are composed of two basic parts—the **prefix** (shown below), plus the **suffix** of each individual busway component from Straight Lengths through Flanged End Details.

The **prefix** contains necessary busway information except individual component descriptive details that are defined as the **suffix**. The catalog number **prefix** will generally remain unchanged throughout a busway run while the **suffix** will vary with each individual length or fitting selected.

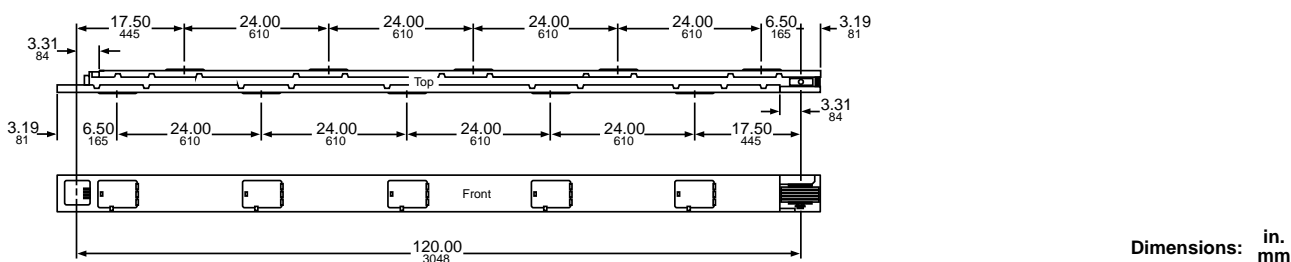
A few devices, such as hangers, wall flanges, etc., do not follow the exact pattern described above. For these exceptions, a complete listing of device catalog numbers is shown with the individual device drawing(s) in Cable Tap Boxes (Plug-In) through Required Wall and Floor Openings.

Figure 34 - I-Line 225–600 A Busway Catalog Numbering System



Suffix—of each individual busway component drawing beginning with Unfused Reducer.

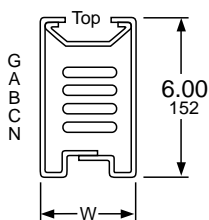
Straight Lengths



Catalog Number Suffix	-10	-8	-6	-4
Standard Length—Feet	10	8	6	4
Standard Length—Meters	3.05	2.44	1.83	1.22
Number of Plug-In Openings	10	8	6	4

NOTE: Variable length devices will not have plug-in openings.

Cross Section



Dimensions: in.
mm

Cross Section Dimensions

Table 12 - Cross-Section–Aluminum Content and Weight

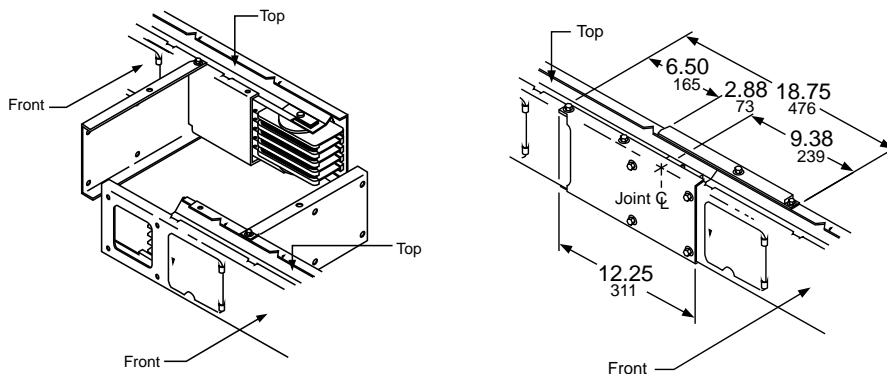
Aluminum Ampere Rating	Width		Bus Bars Per Phase		Approximate Weights			
	IN	mm	IN	mm	3-Pole		4-Pole	
					Lb/Ft	kg/m	Lb/Ft	kg/m
225	2.25	57	(1) .25x0.94	(1) 6x24	6	9	6	10
400	3.38	86	(1) .25x2.00	(1) 6x51	7	11	8	12
600	4.75	121	(1) .25x3.38	(1) 6x86	9	14	11	16

Table 13 - Cross-Section–Copper Content and Weight

Copper Ampere Rating	Width		Bus Bars Per Phase		Approximate Weights			
	IN	mm	IN	mm	3-Pole		4-Pole	
					Lb/Ft	kg/m	Lb/Ft	kg/m
225	2.25	57	(1) .25x0.94	(1) 6x24	8	10	9	10
400	3.38	86	(1) .25x2.00	(1) 6x51	12	18	14	21
600	3.38	86	(1) .25x2.00	(1) 6x51	12	18	14	21

Joint Detail

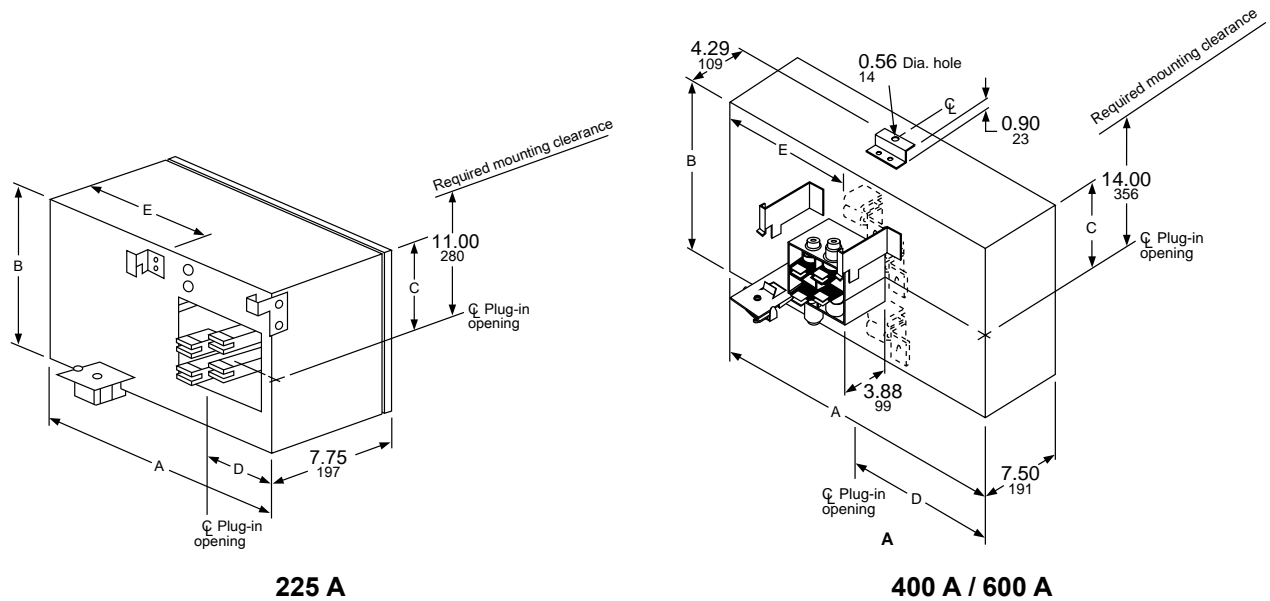
Figure 35 - Dimensional Drawings of Joint Details



Dimensions: in.
mm

Cable Tap Boxes (Plug-In)

Figure 36 - Dimensional Drawings of Cable Tap Boxes (Plug-In)



Dimensions: in.
mm

Table 14 - Cable Tap Boxes (Plug-In)—Dimensions

Ampere Rating	A		B		C		D		E ⁶	
	IN	mm	IN	mm	IN	mm	IN	mm	IN	mm
225	16.38	416	8.42	216	3.90	100	3.30	83	9.45	267
400	25.95	659	18.44	468	9.76	248	7.50	191	14.00	356
600	25.95	659	18.44	468	9.76	248	7.50	191	14.00	356

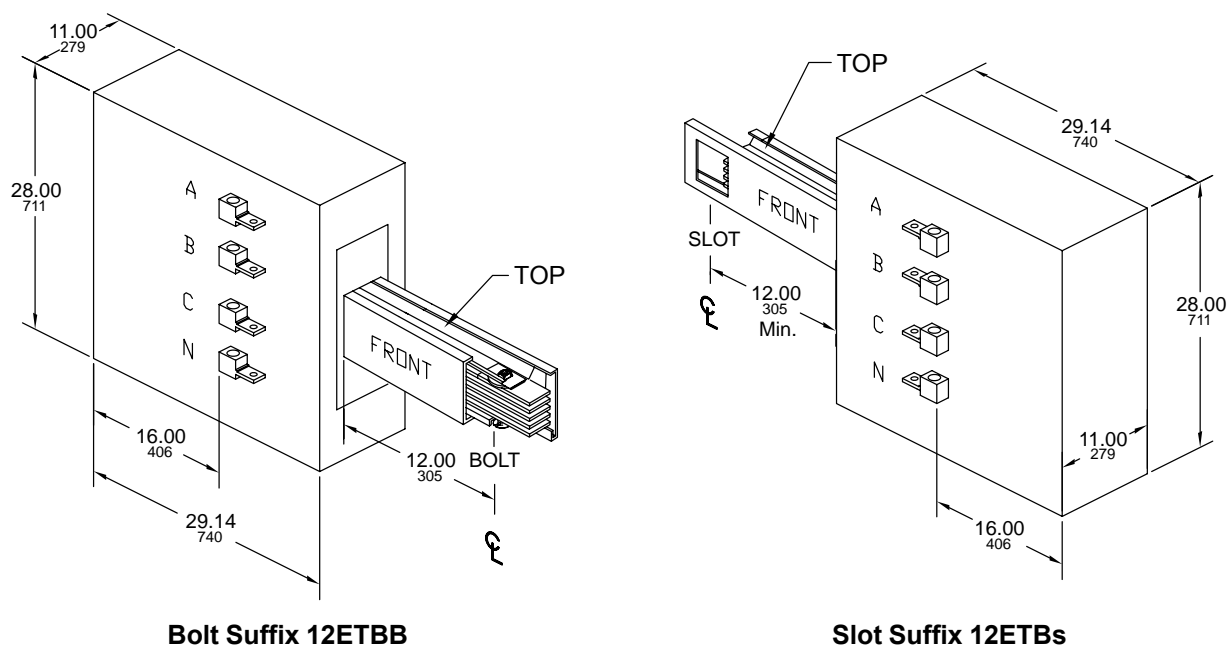
Table 15 - Cable Tap Boxes (Plug-In)—Other Specifications

Ampere Rating	Lugs Per Phase and Neutral	Ground Lug	Catalog Number (With Ground Bus)			
			3-Pole	Weight	3Ø4W 100% N	Weight
225	1-300 kcmil	1 – #6-2/0	PTB-302G	18.25 lb	PTB-502G	19.00 lb
400	2-600 kcmil	2 – 1/0 kcmil	PBTB-306G	60.00 lb	PBTB-506G	62.00 lb
600	2-600 kcmil	2 – 1/0 kcmil	PBTB-306G	60.00 lb	PBTB-506G	62.00 lb

6. Lugs in plug-in tap boxes can be reversed in field so that ends of lugs point in opposite direction from that shown on drawing (400 A and 600 A only).

Cable Tap Boxes (End)

Figure 37 - Dimensional Drawings of Cable Tap Boxes (End)



Bolt Suffix 12ETBB

Slot Suffix 12ETBs

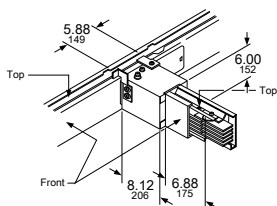
Dimensions: in. mm

Table 16 - Cable Tap Boxes (End)—Dimensions and Other Specifications

Ampere Rating	Weight (lbs.)				Lugs Per Phase and Neutral	Ground Lugs
	3-pole		4-pole			
	Aluminum	Copper	Aluminum	Copper	1/0–600 Kcmil	#6–300 Kcmil
225	Contact your Schneider Electric representative for information concerning availability.					
400	156	179	162	195	2	2
600	164	179	173	195	2	2

Tees

Figure 38 - Dimensional Drawing of Tees



Dimensions: in. mm

Table 17 - Tees—Application Data

Ampere Rating (Tee Leg)		Catalog Number (Without Ground Bus)		Catalog Number (With Ground Bus)	
Aluminum	Copper	3-Pole	3Ø4W 100% N	3-Pole	3Ø4W 100% N
225	225	PTT-2-3W	PTT-2-4W	PTT-2-3WG	PTT-2-4WG
400	400	PTT-3-3W	PTT-3-4W	PTT-3-3WG	PTT-3-4WG
—	600	PTT-3-3W	PTT-3-4W	PTT-3-3WG	PTT-3-4WG
600	—	PTT-4-3W	PTT-4-4W	PTT-4-3WG	PTT-4-4WG

Elbows

Figure 39 - Top Inside Elbow:
Catalog No. Suffix–LTI

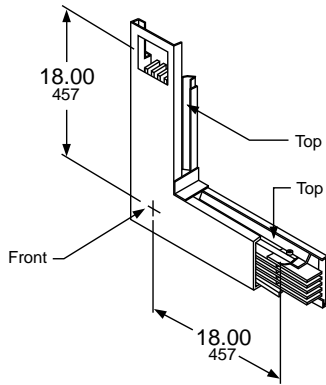
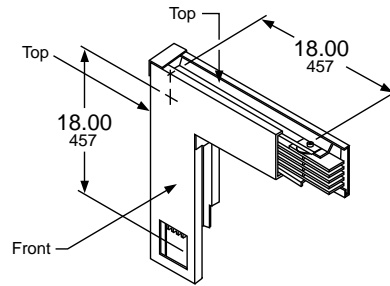


Figure 40 - Top Outside Elbow:
Catalog Number Suffix–LTO



Dimensions: in.
mm

Figure 41 - Front Inside Elbow:
Catalog Number Suffix–LFI

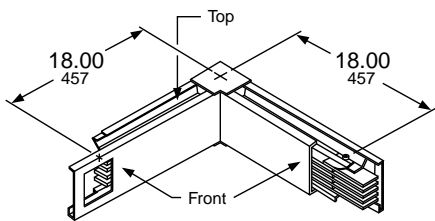
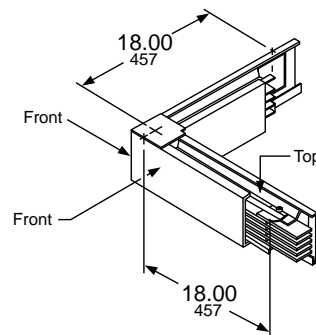


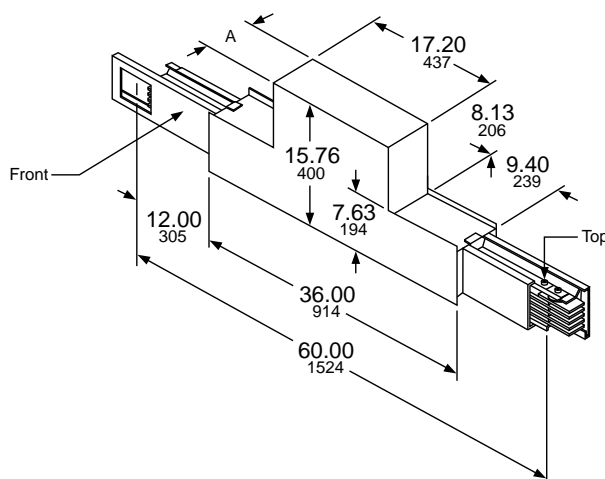
Figure 42 - Front Outside Elbow:
Catalog Number Suffix–LFO



Dimensions: in.
mm

Expansion Fitting

Figure 43 - Catalog Number Suffix–EJ Dimensions



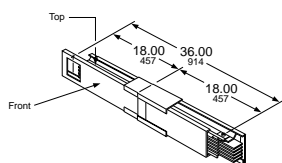
NOTE: Expansion joint permits ± 1.5 in. (± 38 mm) expansion. Use recommended only when busway passes through building expansion joint.

Table 18 - Expansion Fitting–Application Data

Ampere Rating		A	
Aluminum	Copper	IN	mm
225	225	4.51	114
400	400	5.57	141
—	600	5.57	141
600	—	6.95	176

Unfused Reducer

Figure 44 - Unfused Reducer Dimensions



Dimensions: in.
mm

Table 19 - Unfused Reducer–Catalog Number Suffix

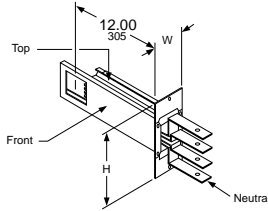
Bolt End Ampere Rating	Slot End Ampere Rating		
	225	400	600
225	—	—	—
400	-R02	—	—
600	-R02	-R04 ⁷	—

NOTE: The National Electrical Code states that in Article 368-17(B) overcurrent protection is required where busways are reduced in ampacity except for certain industrial applications.

7. -Aluminum busway only.

Flanged End Cutout and Drilling Template

Figure 45 - Catalog Number Suffix–FES 12 (Slot End) / FEB 12 (Bolt End)

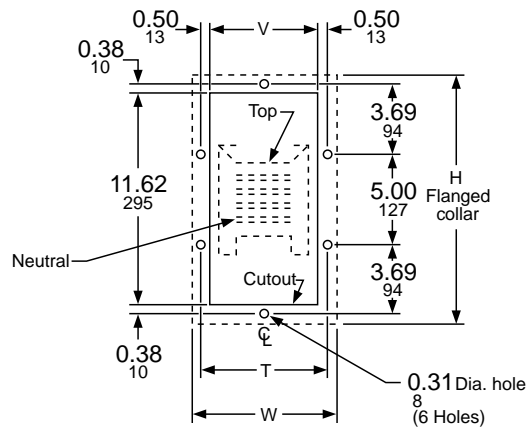


Dimensions: in. mm

Table 20 - Flanged End–Cutout Dimensions

Ampere Rating		H		W		V		T	
Aluminum	Copper	IN	mm	IN	mm	IN	mm	IN	mm
225	225	13.38	340	4.44	113	2.44	62	3.44	87
400	400	13.38	340	5.50	140	3.50	89	4.50	114
—	600	13.38	340	5.50	140	3.50	89	4.50	114
600	—	13.38	340	6.88	175	4.88	124	5.88	149

Figure 46 - Flanged End Cutout Dimensions



Dimensions: in. mm

Flanged End Details

Figure 47 - Dimensional Drawings of Flanged Ends

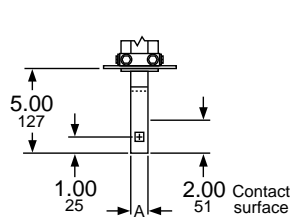


Figure A

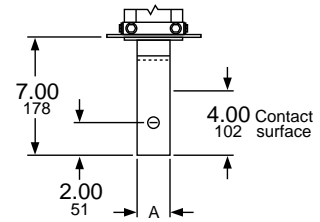
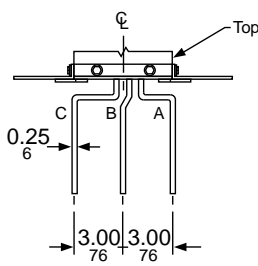


Figure B

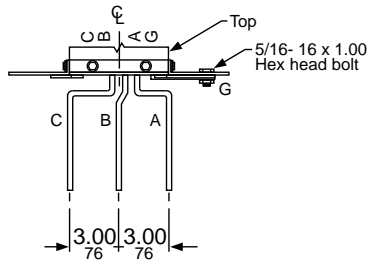
Table 21 - Flanged End–Dimensions

Ampere Rating		Fig.	A	
Aluminum	Copper		IN	mm
225	225	A	0.94	24
400	400	B	2.00	51
—	600	B	2.00	51
600	—	B	3.38	86

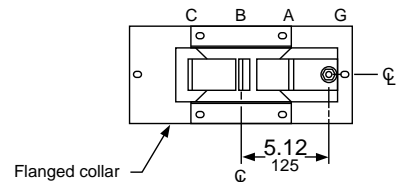
Figure 48 - 3–Pole and 4–Pole Flanged End Dimensions



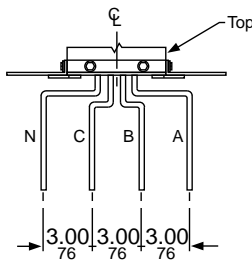
3–Pole



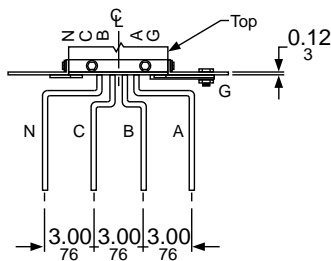
3–Pole with Ground Bus



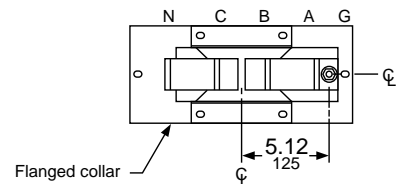
3–Pole with Ground Bus (Bottom View)



4–Pole



4–Pole with Ground Bus



4–Pole with Ground Bus (Bottom View)

Dimensions: in.
mm

Flatwise Hanger

Figure 49 - Example of a Flatwise Hanger

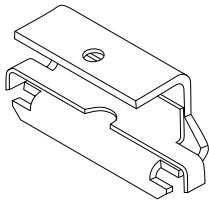


Table 22 - Hanger (Horizontal Flatwise)—Application Data

Ampere Rating		A		B		Catalog Number
Aluminum	Copper	IN	mm	IN	mm	
225	225	2.65	67	1.06	27	HP-2-F
400	400	3.71	94	1.44	36	HP-3-F
—	600	3.71	94	1.44	36	HP-3-F
600	—	5.09	129	2.82	72	HP-5-F

Edgewise Hanger

Figure 50 - Example of an Edgewise Hanger

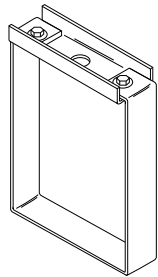
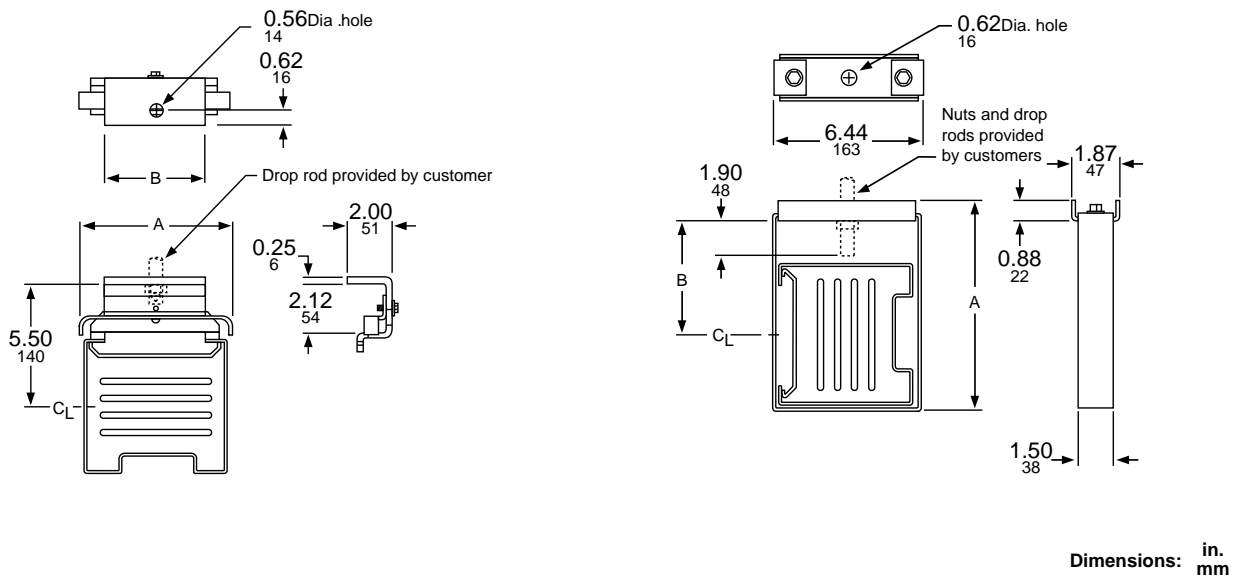


Table 23 - Hanger (Horizontal Edgewise)—Application Data

Ampere Rating		A		B		Catalog Number
Aluminum	Copper	IN	mm	IN	mm	
225 ⁸	225 ⁸	6.29	160	3.57	91	HP-3-E
400	400	6.29	160	3.57	91	HP-3-E
—	600	6.29	160	3.57	91	HP-3-E
600	—	7.67	195	4.26	108	HP-5-E

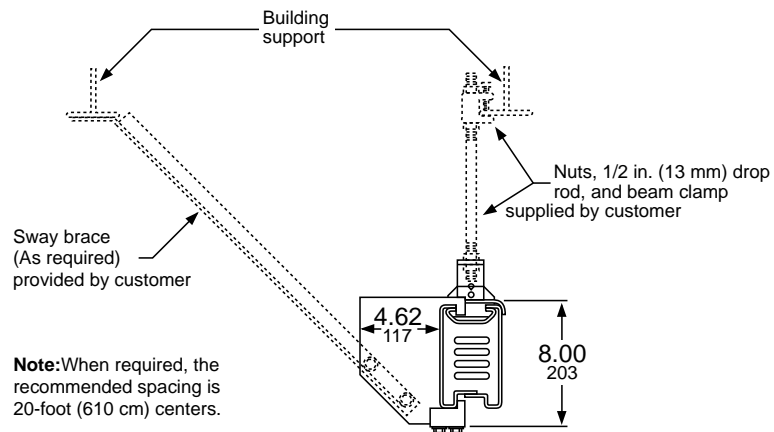
Figure 51 - Edgewise Hanger Dimensions



8. Hanger spacing on 5-foot centers maximum when mounted edgewise.

Sway Brace Collar

Figure 52 - Catalog Number HP-1-SBC Dimensions

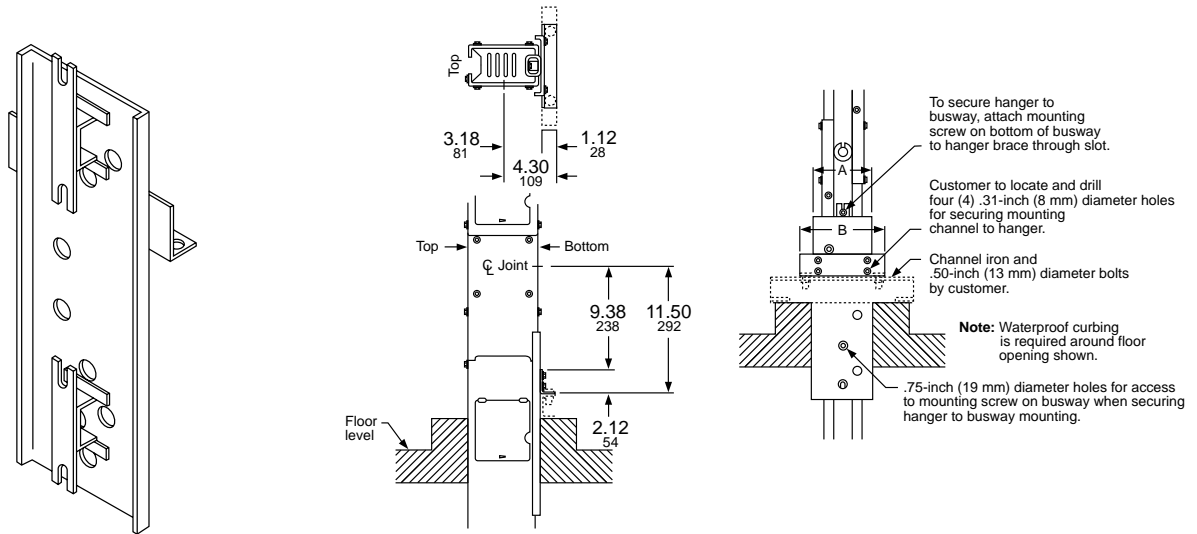


Dimensions: **in.**
mm

Sway braces are used when only one side of the busway is heavily loaded with tap-off units or when other factors could cause possible swaying of the busway.

Hanger (Vertical Fixed)

Figure 53 - Vertical Fixed Hanger Dimensions



Dimensions: in.
mm

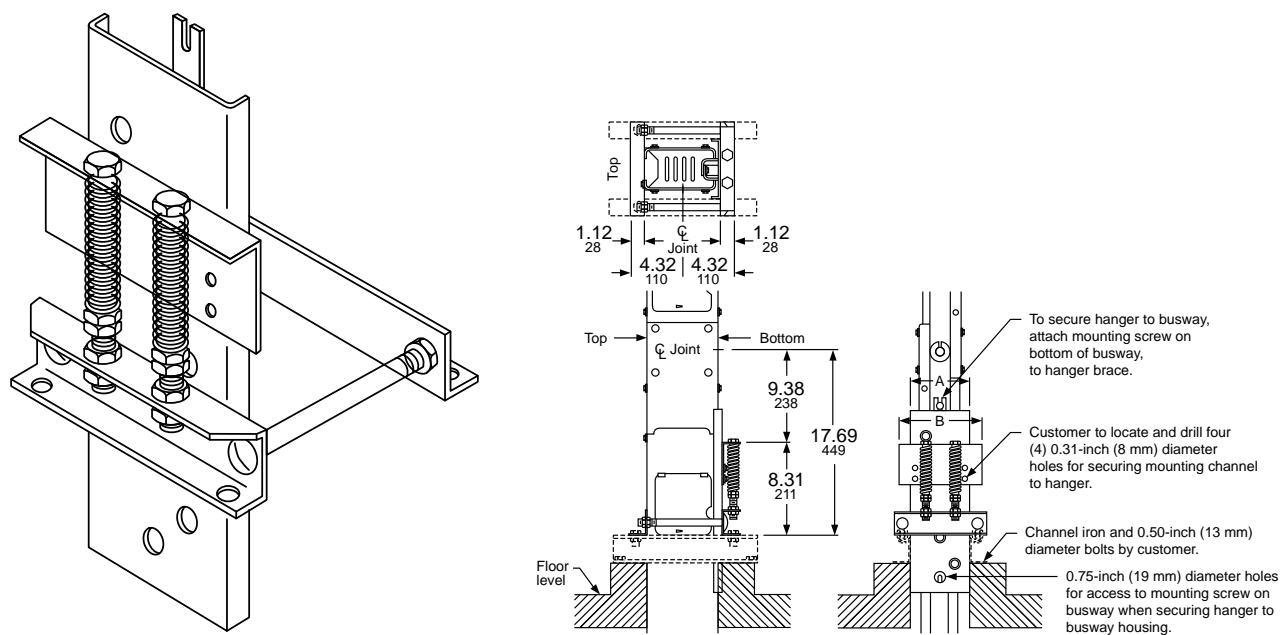
Table 24 - Hanger (Vertical Fixed)—Dimensions and Catalog Numbers

Ampere Rating		A		B		Catalog Number
Aluminum	Copper	IN	mm	IN	mm	
225	225	4.28	109	6.54	166	HP-2-V
400	400	5.32	135	7.58	192	HP-3-V
—	600	5.32	135	7.58	192	HP-3-V
600	—	6.70	170	8.96	228	HP-4-V

NOTE: Dimensions shown apply for 4 ft (122 cm), 6 ft (183 cm), 8 ft (244 cm), and 10 ft (305 cm) straight lengths only. Consult your local Schneider Electric representative for dimensions that apply for fractional straight lengths.

Hanger (Vertical Spring)

Figure 54 - Hanger (Vertical Spring) Dimensions



Dimensions: in.
mm

Table 25 - Hanger (Vertical Spring)—Dimensions and Catalog Numbers

Ampere Rating		A		B		Catalog Number
Aluminum	Copper	IN	mm	IN	mm	
225	225	4.28	109	6.54	166	HP-2-VS
400	400	5.32	135	7.58	192	HP-3-VS
—	600	5.32	135	7.58	192	HP-3-VS
600	—	6.7	170	8.96	228	HP-4-VS

NOTE: Dimensions shown apply for 4 ft (122 cm), 6 ft (183 cm), 8 ft (244 cm), and 10 ft (305 cm) straight lengths only. Consult your local Schneider Electric representative for dimensions that apply for fractional straight lengths.

Hanger (Horizontal Seismic)

Figure 55 - Hanger (Horizontal Seismic) Dimensions

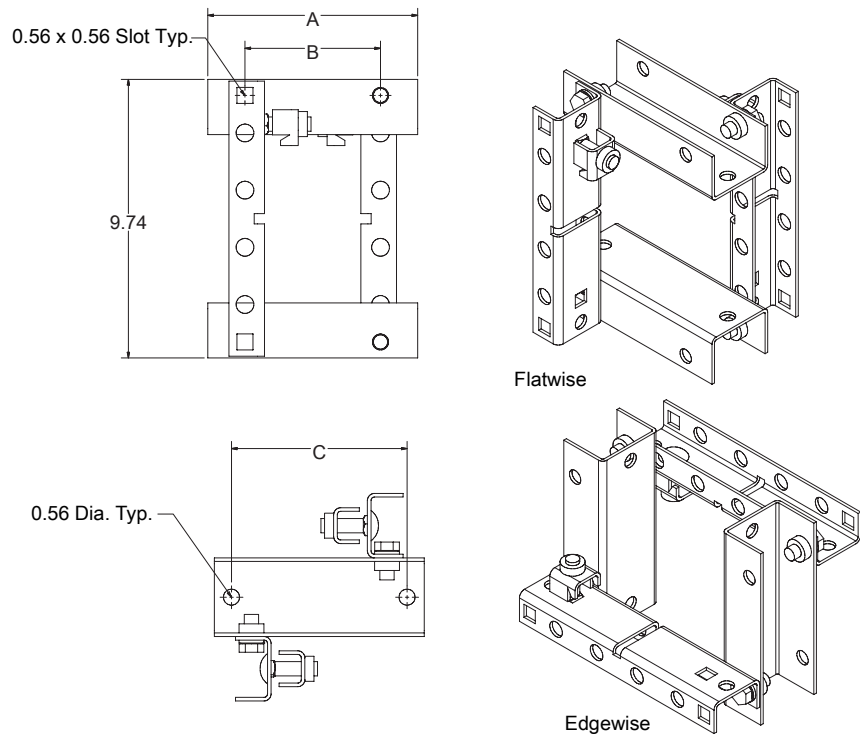


Table 26 - Seismic Hanger—Dimensions

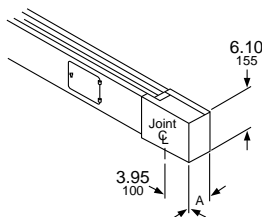
Ampere Rating (A)		Catalog Number	A		B		C	
Aluminum	Copper		IN	mm	IN	mm	IN	mm
225	225	HP2SH	6.21	158	3.61	92	5.01	127
400	400 / 600	HP3SH	7.34	186	4.74	120	6.14	156
600	—	HP5SH	8.71	221	6.11	155	7.51	191

NOTE: For seismic applications, seismic hangers must be used for horizontally mounted busway. Standard vertical hangers should be used for vertically mounted busway.

End Closure

Table 27 - End Closure—Dimensions and Catalog Number

Figure 56 - End Closure Dimensions

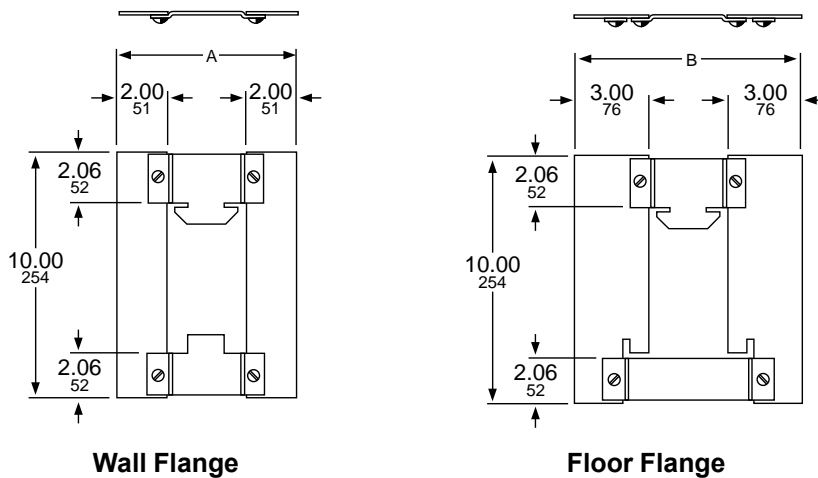


Dimensions: in.
mm

Ampere Rating		Catalog Number
Aluminum	Copper	
225	225	ACP-2-EC
400	400	ACP-3-EC
—	600	ACP-3-EC
600	—	ACP-4-EC

Wall and Floor Flange

Figure 57 - Wall and Floor Flange Dimensions



Dimensions: in.
mm

Table 28 - Wall and Floor Flange—Application Data

Ampere Rating		A		B		Catalog Number ⁹	
Aluminum	Copper	IN	mm	IN	mm	Wall Flange	Floor Flange
225	225	6.28	160	8.34	212	ACP-2-WF	ACP-2-FF
400	400	7.34	186	9.40	239	ACP-3-WF	ACP-3-FF
—	600	7.34	186	9.40	239	ACP-3-WF	ACP-3-FF
600	—	8.72	221	10.78	274	ACP-4WF	ACP-4-FF

9. Only one flange plate per device catalog number.

Required Wall and Floor Openings

Figure 58 - Dimensional Drawing of Required Wall and Floor Openings

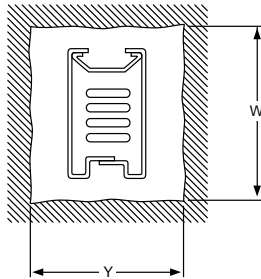


Table 29 - Measurements of Required Wall and Floor Openings—Straight Length and Flanged Ends

Ampere Rating		Straight Length				Flanged Ends			
Al	Cu	Y ¹⁰		W		Y ¹⁰		W	
		IN	mm	IN	mm	IN	mm	IN	mm
225	225	6.00	152	8.00	203	6.00	152	15.00	381
400	400	7.00	178			7.00	178		
—	600	7.00	178			7.00	178		
600	—	8.00	203			8.00	203		

Table 30 - Measurements of Required Wall and Floor Openings—Flatwise Elbow

Ampere Rating		Flatwise Elbow													
Al	Cu	W		Y ¹⁰ Wall Thickness											
		IN	mm	IN	mm	IN	mm	IN	mm	IN	mm	IN	mm	IN	mm
				4.00	102	8.00	203	12.00	305	16.00	406	20.00	508	24.00	610
225	225	8.00	203	8.00	203	10.00	254	12.00	305	14.00	356	16.00	406	18.00	457
400	400			9.00	229	11.00	279	13.00	330	15.00	381	17.00	432	19.00	483
—	600			9.00	229	11.00	279	13.00	330	15.00	381	17.00	432	19.00	483
600	—			11.00	279	13.00	330	15.00	381	17.00	432	19.00	483	21.00	533

Table 31 - Measurements of Required Wall and Floor Openings—Flatwise Elbow

Ampere Rating		Edgewise Elbow													
Al	Cu	Y ¹⁰		W Wall Thickness											
		IN	mm	IN	mm	IN	mm	IN	mm	IN	mm	IN	mm	IN	mm
				4.00	102	8.00	203	12.00	305	16.00	406	20.00	508	24.00	610
225	225	8.00	203	13.00	330	15.00	381	17.00	432	19.00	483	21.00	533	23.00	584
400	400														
—	600														
600	—														

10. Dimension allows clearance for vertical hanger. Subtract one inch (25 mm) for horizontal mounted busway.

I-Line 800–5000 A Busway

I-Line 800–5000 A Busway Catalog Numbering System

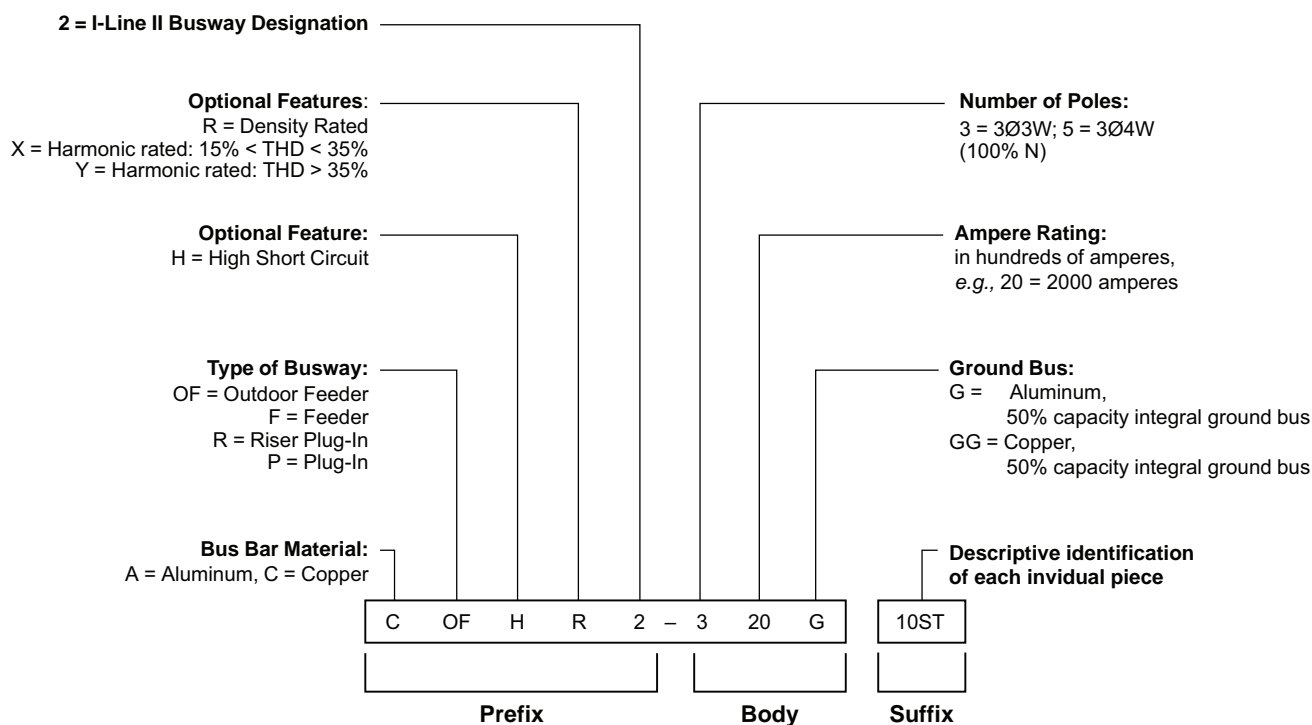
Catalog numbers are composed of three basic parts: the **prefix** (as shown), the **body**, plus the **suffix** of each individual busway component (see Straight Lengths—Plug-In (Indoor Only) through Adapter (Indoor Only)—I-Line to I-Line II).

- The **prefix** contains the general busway type.
- The **body** contains the number of poles, the amperage, and ground system.
- The **suffix** contains the descriptive identification of the individual device.

The catalog number **prefix** will generally remain unchanged throughout a busway run while the **suffix** will vary with each individual length or fitting selected.

A few devices, such as hangers, wall flanges, etc., do not follow the exact pattern described above. For these exceptions, a complete listing of device catalog numbers is shown with the individual device drawing(s) in Hanger (Horizontal Flatwise) through End Closure (Indoor Only).

Figure 59 - I-Line 800–5000 A Busway Catalog Numbering System



NOTE:

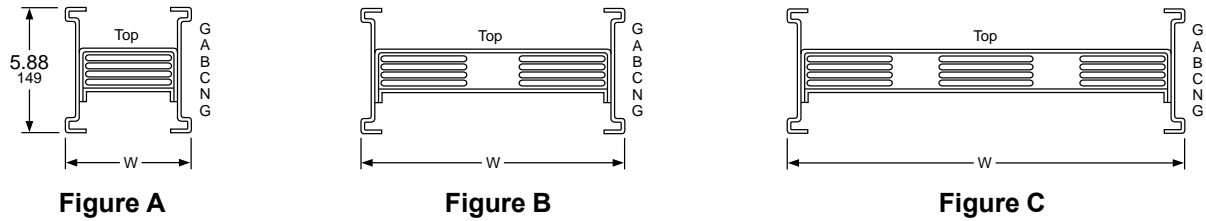
Harmonic rated cannot be combined with density rating.

The 2 is omitted when both outdoor feeder (OF) and high short circuit (H) features are selected together.

NOTE: SUFFIX of each individual busway component beginning with Straight Lengths—Plug-In (Indoor Only).

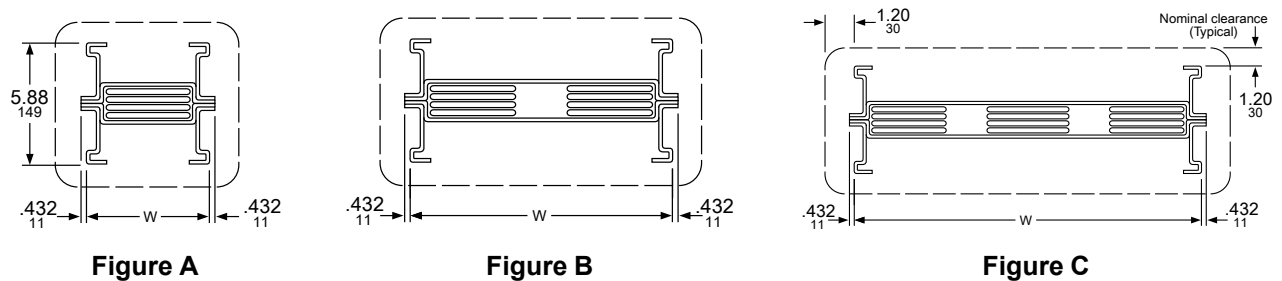
Cross Sections—Plug-In and Indoor Feeder Lengths

Figure 60 - Cross Sections — Plug-In and Indoor Feeder Lengths Dimensions



Cross Sections—Fittings and All Outdoor Feeder

Figure 61 - Cross Sections — Fittings and All Outdoor Feeder Dimensions



NOTE: Dotted line indicates the profile of the joint covers for Outdoor Feeder busway. The profile for indoor fittings is the same as the busway itself.

Table 32 - Cross-Sections—Aluminum Content and Weight

Ampere Rating	W		Fig.	Bus Bars Per Phase		Approximate Weights			
	IN	mm		IN	mm	3-Pole		4-Pole	
						Lb/Ft	Kg/M	Lb/Ft	Kg/M
800	4.34	110	A	One: 0.25 x 3	One: 6 x 76	11	17	12	18
1000	5.34	136	A	One: 0.25 x 4	One: 6 x 102	12	18	13	20
1200	6.34	161	A	One: 0.25 x 5	One: 6 x 127	13	20	15	22
1350	7.34	186	A	One: 0.25 x 6	One: 6 x 152	14	21	16	24
1600	8.84	225	A	One: 0.25 x 6.5	One: 6 x 165	16	24	18	27
2000	12.72	323	B	Two: 0.25 x 4	Two: 6 x 102	21	32	25	37
2500	16.22	412	B	Two: 0.25 x 5	Two: 6 x 127	25	37	30	44
3000	18.72	475	B	Two: 0.25 x 6.5	Two: 6 x 165	28	42	34	50
4000	25.60	650	C	Three: 0.25 x 6	Three: 6 x 152	38	57	45	67

Table 33 - Cross-Sections—Copper Content and Weight

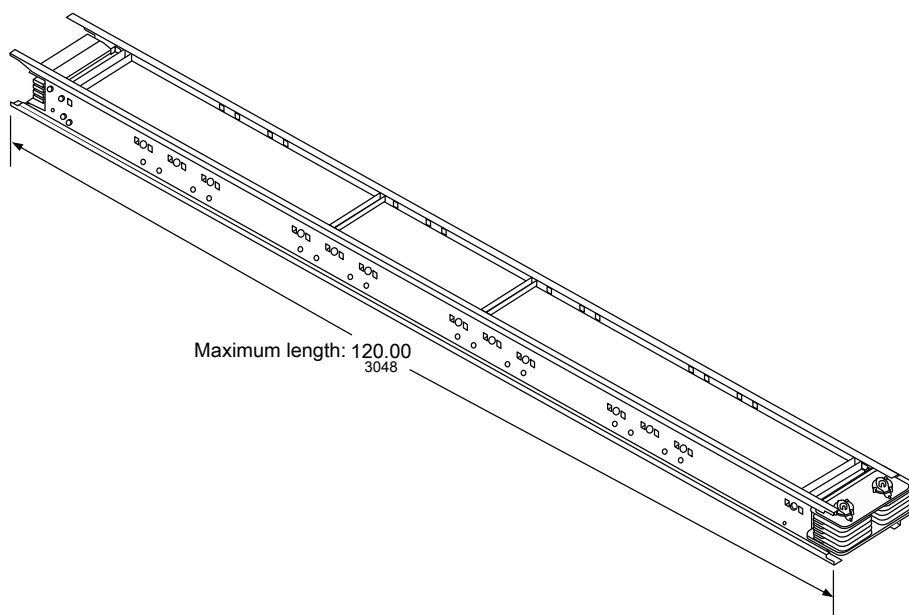
Amp. Rating	W		Fig.	Bus Bars Per Phase		Approximate Weights			
	IN	mm		IN	mm	3-Pole		4-Pole	
						Lb/Ft	Kg/M	Lb/Ft	Kg/M
800	3.84	98	A	One: 0.25 x 2.5	One: 6 x 64	14	21	17	25
1000	4.34	110	A	One: 0.25 x 2.5	One: 6 x 64	16	24	19	28
1200	5.34	136	A	One: 0.25 x 3	One: 6 x 76	19	28	23	34
1350	5.84	148	A	One: 0.25 x 4	One: 6 x 102	21	31	25	37
1600	6.74	171	A	One: 0.25 x 4.5	One: 6 x 114	23	35	30	44
2000	7.84	199	A	One: 0.25 x 6	One: 6 x 152	27	39	33	49
2500	12.72	323	B	Two: 0.25 x 4	Two: 6 x 102	38	57	46	69
3000	15.22	387	B	Two: 0.25 x 4.5	Two: 6 x 114	42	63	50	75
3200	16.22	412	B	Two: 0.25 x 5	Two: 6 x 127	49	73	55	82
4000	23.60	599	C	Three: 0.25 x 4	Three: 6 x 102	63	94	77	114
5000	25.10	638	C	Three: 0.25 x 5.4	Three: 6 x 137	77	114	95	141

NOTE: For required wall and floor openings, refer to Wall and Floor Required Cut-Outs—Dimensions. Values are for thermal-rated busway. Contact Schneider Electric for other options such as low current density rated, harmonic rated, and IP54 rated.

Straight Lengths—Feeder

NOTE: All straight lengths and fittings of feeder busway are fully compatible, rating for rating, with straight lengths of plug-in busway. Available in 1-in. (25 mm) increments from 16–120 in. (406–3048 mm).

Figure 62 - Straight Lengths—Feeder Dimensions

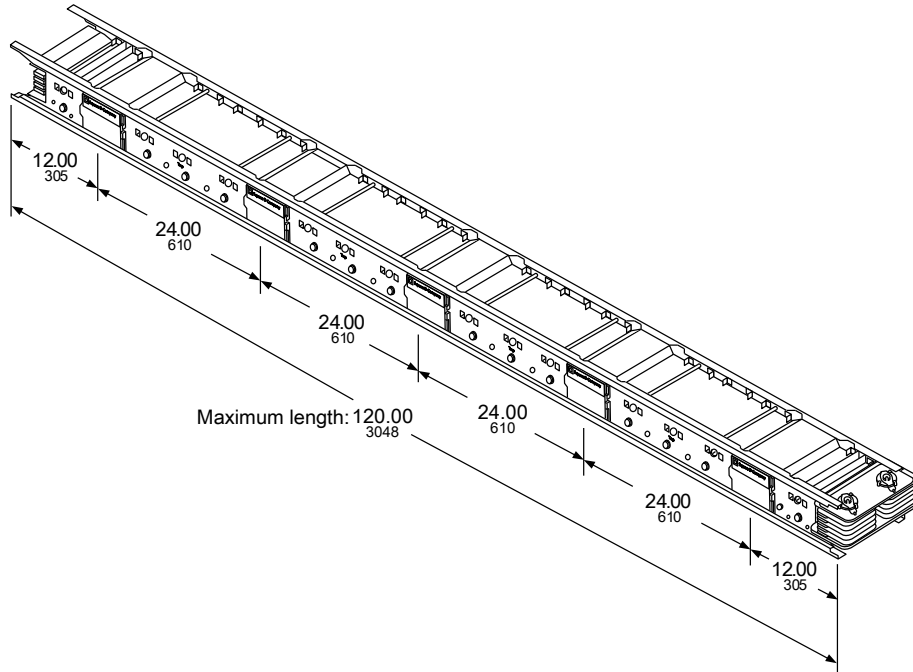


Dimensions: in. mm

Straight Lengths—Plug-In (Indoor Only)

NOTE: All straight lengths of plug-in busway are fully compatible, rating for rating, with straight lengths and fittings of feeder busway.

Figure 63 - Straight Lengths—Plug-In (Indoor Only) Dimensions



Dimensions: in.
mm

Table 34 - Straight Lengths—Catalog No. Suffix

Catalog Number Suffix	-10ST	-8ST	-6ST	-4ST
Standard Lengths—Feet	10 ft	8 ft	6 ft	4 ft
Standard Lengths—Meters	3.05 m	2.44 m	1.83 m	1.219 m
Number of Plug-In Openings	10	8	6	4

Flanges

Qwik flange is typically used only on Schneider Electric indoor equipment top exit/entry. Flanged end is typically used on all other Schneider Electric indoor/outdoor equipment, including third party equipment.

Figure 64 - Qwik Flange

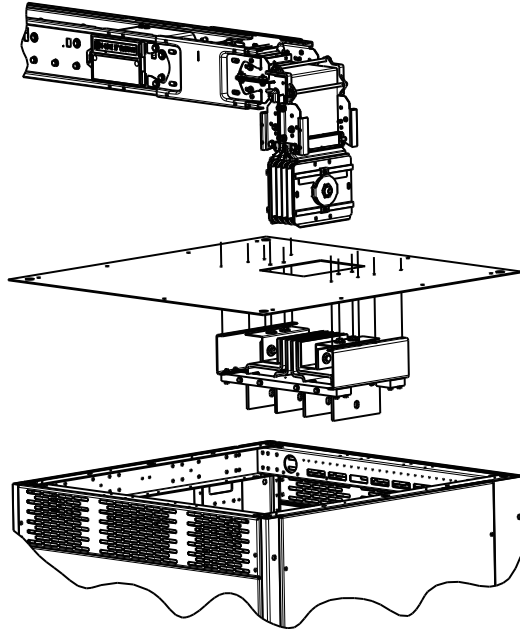
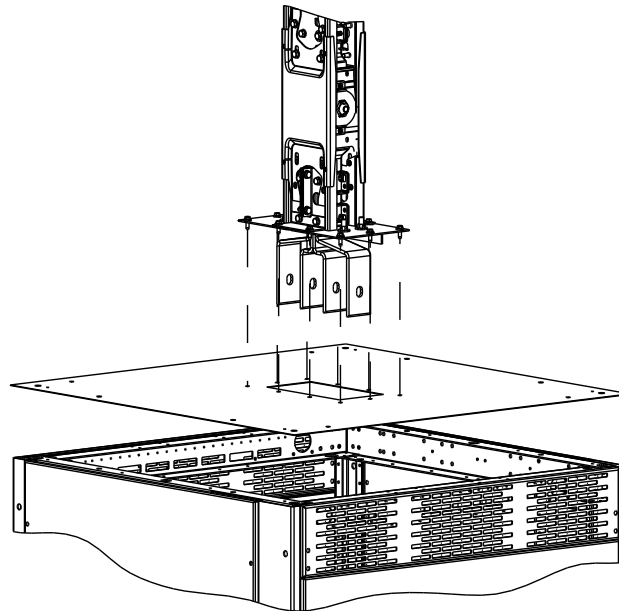


Figure 65 - Flanged End



Legacy Qwik Flange (Indoor Only)

Figure 66 - Legacy Qwik Flange (Indoor Only) Dimensions

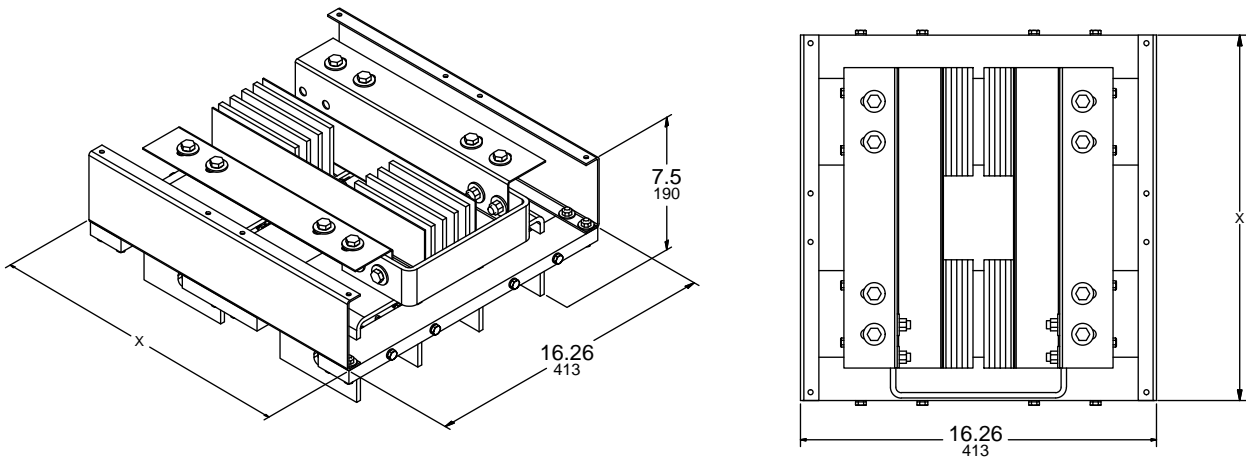


Table 35 - Legacy Qwik Flange—Catalog Number Suffix -QF

Amperage Rating		X	
Aluminum	Copper	IN	mm
—	800	10.52	267
800	1000	10.52	267
1000	1200	10.52	267
—	1350	10.52	267
1200	—	10.52	267
—	1600	10.52	267
1350	—	10.52	267
—	2000	10.52	267
1600	—	10.52	267
2000	2500	14.34	364
2500	—	17.84	453
—	3000	16.84	428
—	3200	17.84	453
3000	—	20.34	517
—	4000	25.22	641
4000	—	27.22	691
—	5000	26.72	679

Figure 67 - Legacy Aluminum and Copper Qwik Flange Dimensions

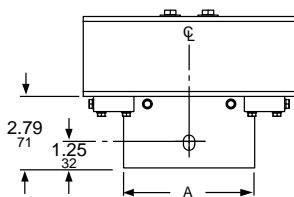


Figure A

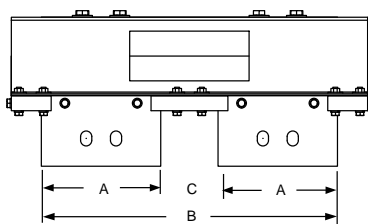


Figure B

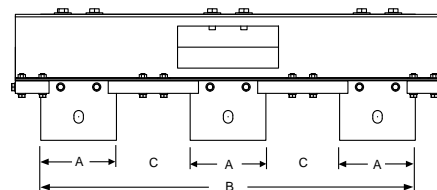


Figure C

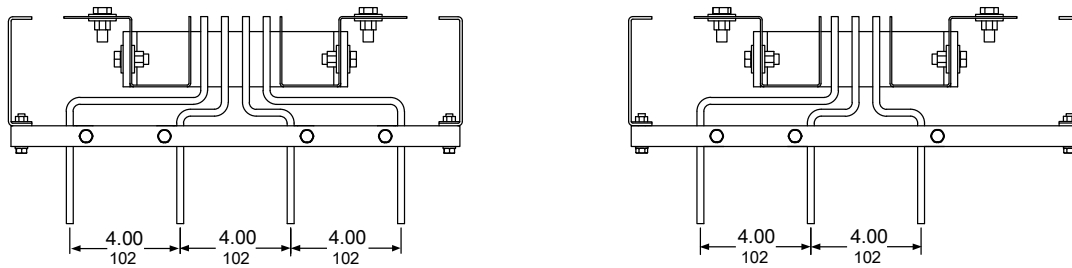
Dimensions: in. mm

Table 36 - Legacy Aluminum Qwik Flange–Application Data

Aluminum Ampere Rating	Fig.	A		B		C	
		IN	mm	IN	mm	IN	mm
800	A	3.00	76	—	—	—	—
1000	A	4.00	102	—	—	—	—
1200	A	5.00	127	—	—	—	—
1350	A	6.00	152	—	—	—	—
1600	A	7.50	191	—	—	—	—
2000	B	4.50	114	11.38	289	2.38	60
2500	B	6.00	152	14.88	378	2.88	73
3000	B	7.50	191	17.38	441	2.38	60
4000	C	6.50	165	24.26	616	2.38	60

Table 37 - Legacy Copper Qwik Flange–Application Data

Copper Ampere Rating	Fig.	A		B		C	
		IN	mm	IN	mm	IN	mm
800	1	2.50	64	—	—	—	—
1000	1	3.00	76	—	—	—	—
1200	1	4.00	102	—	—	—	—
1350	1	4.50	114	—	—	—	—
1600	1	5.40	137	—	—	—	—
2000	1	6.50	165	—	—	—	—
2500	2	4.50	114	11.38	289	2.38	60
3000	2	5.00	127	13.88	353	3.88	86
3200	2	6.00	152	14.88	378	2.88	73
4000	3	4.50	114	22.26	565	4.38	111
5000	3	6.00	152	23.76	604	2.88	73

Figure 68 - Legacy Qwik Flange Dimensions

Dimensions: in.
mm

Qwik Flanges and closing plates are typically shipped with the switchboard/switchgear. The Qwik Flange closing plate closes the gap between the busway and the top of the gear. If a separate Qwik Flange or closing plate kit is needed, the catalog numbers can be created by adding the suffix "QF" or "CP" respectively to the prefix of the busway being installed. For example: AF2530G**QF** or CF2312G**CP**.

NOTE: Refer to Detail of Phase Bussing Connections in a Switchboard.

New Qwik Flange (Indoor Only)

Figure 69 - New Qwik Flange (Indoor Only) Dimensions

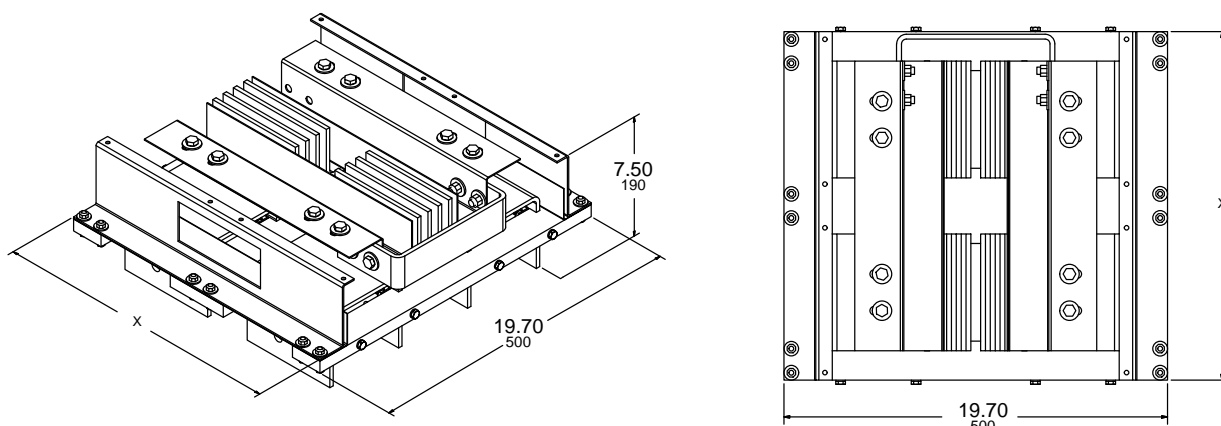


Table 38 - New Qwik Flange—Catalog Number Suffix -NQF

Amperage Rating		X	
Aluminum	Copper	IN	mm
—	800	10.52	267
800	1000	10.52	267
1000	1200	10.52	267
—	1350	10.52	267
1200	—	10.52	267
—	1600	10.52	267
1350	—	10.52	267
—	2000	10.52	267
1600	—	10.52	267
2000	2500	14.4	366
2500	—	17.9	455
—	3000	16.9	430
—	3200	17.9	455
3000	—	20.4	519
—	4000	25.28	643
4000	—	27.28	693
—	5000	26.78	680

Figure 70 - New Aluminum and Copper Qwik Flange (Indoor Only) Dimensions

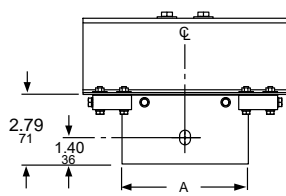


Figure A

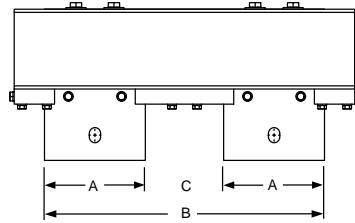


Figure B

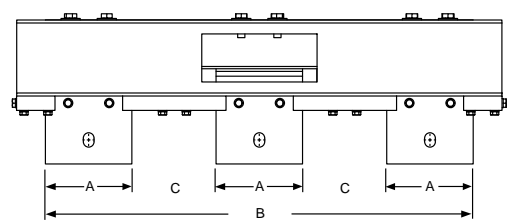


Figure C

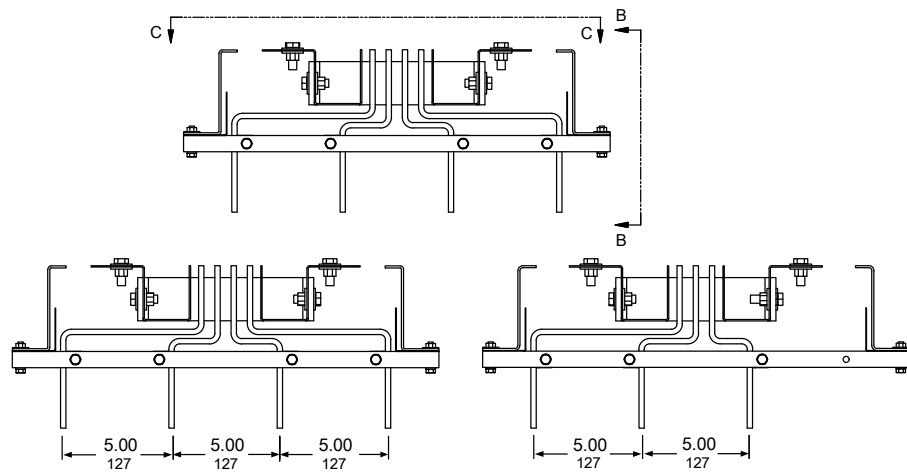
Dimensions: in.
mm

Table 39 - Aluminum New Qwik Flange—Application Data

Aluminum Ampere Rating	Fig.	A		B		C	
		IN	mm	IN	mm	IN	mm
800	A	3.00	76	—	—	—	—
1000	A	4.00	102	—	—	—	—
1200	A	5.00	127	—	—	—	—
1350	A	6.00	152	—	—	—	—
1600	A	7.50	191	—	—	—	—
2000	B	4.50	114	11.38	289	2.38	60
2500	B	6.00	152	14.88	378	2.88	73
3000	B	7.50	191	17.38	441	2.38	60
4000	C	6.50	165	24.26	616	2.38	60

Table 40 - Copper New Qwik Flange—Application Data

Copper Ampere Rating	Fig.	A		B		C	
		IN	mm	IN	mm	IN	mm
800	A	2.50	64	—	—	—	—
1000	A	3.00	76	—	—	—	—
1200	A	4.00	102	—	—	—	—
1350	A	4.50	114	—	—	—	—
1600	A	5.40	137	—	—	—	—
2000	1A	6.50	165	—	—	—	—
2500	B	4.50	114	11.38	289	2.38	60
3000	B	5.00	127	13.88	353	3.88	86
3200	B	6.00	152	14.88	378	2.88	73
4000	C	4.50	114	22.26	565	4.38	111
5000	C	6.00	152	23.76	604	2.88	73

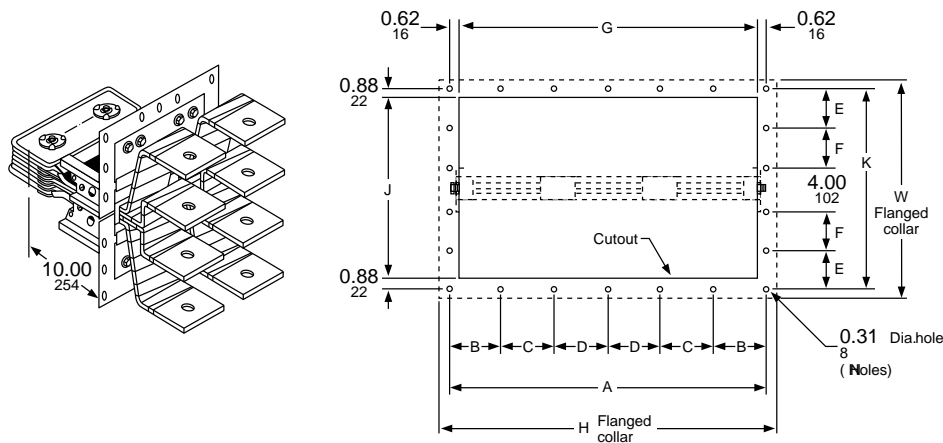
Figure 71 - New Qwik Flange Dimensions

New Qwik Flanges and closing plates are typically shipped with the switchboard/switchgear. The new Qwik Flange closing plate closes the gap between the busway and the top of the gear. If a separate new Qwik Flange or closing plate kit is needed, the catalog numbers can be created by adding the suffix "NQF" or "CP" respectively to the prefix of the busway being installed. For example: AF2530GNQF or AF2530GCP.

NOTE: Refer to Detail of Phase Bussing Connections in a Switchboard.

Flanged End

Figure 72 - Flanged End: Catalog Number Suffix–10FEB Dimensions



Dimensions: in.
mm

Table 41 - Flanged Collar Hole Location and Spacing

Ampere Rating		N Holes	Hole Location and Spacing													
			A		B		C		D		K		E		F	
Alumi-num	Cop-per		IN	mm	IN	mm	IN	mm	IN	mm	IN	mm	IN	mm	IN	mm
—	800	10	6.38	162	3.19	81	—	—	—	—	11.75	296	3.88	98	—	—
800	1000	10	6.38	162	3.19	81	—	—	—	—	11.75	296	3.88	98	—	—
—	1200	10	7.00	178	3.50	89	—	—	—	—	11.75	296	3.88	98	—	—
1000	1350	10	8.00	203	4.00	102	—	—	—	—	11.75	296	3.88	98	—	—
1200	—	10	9.00	229	4.50	114	—	—	—	—	11.75	296	3.88	98	—	—
1350	1600	10	10.00	254	5.00	127	—	—	—	—	11.75	296	3.88	98	—	—
1600	2000	16	12.88	327	4.25	108	—	—	—	—	17.75	451	3.46	88	3.42	87
2000	2500	16	14.88	378	5.00	127	—	—	—	—	17.75	451	3.46	88	3.42	87
2500	3000	18	18.88	480	4.75	121	4.69	119	—	—	17.75	451	3.46	88	3.42	87
—	3200	18	18.88	480	4.75	121	4.69	119	—	—	17.75	451	3.46	88	3.42	87
3000	—	20	21.75	552	4.38	111	4.37	111	—	—	17.75	451	3.46	88	3.42	87
4000	4000	22	27.75	705	4.62	117	4.63	118	4.63	118	17.75	451	3.46	88	3.42	87
—	5000	22	27.75	705	4.62	117	4.63	118	4.63	118	17.75	451	3.46	88	3.42	87

Table 42 - Flanged Collar and Cutout Dimensions

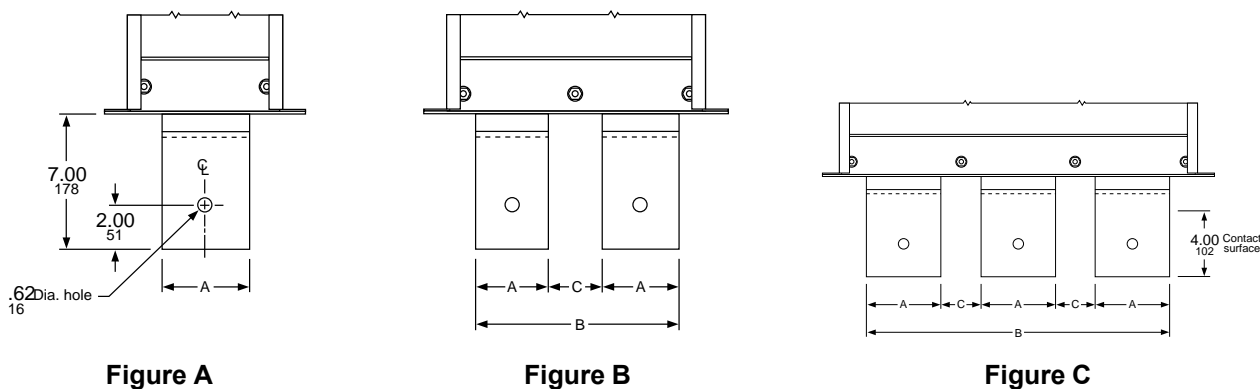
Ampere Rating		L		H		W				G		J	
						3-Pole		4-Pole					
Aluminum	Copper	IN	mm	IN	mm	IN	mm	IN	mm	IN	mm	IN	mm
—	800	10.00	254	7.38	187	12.82	326	13.18	335	5.12	130	10.00	254
800	1000	10.00	254	7.38	187	12.82	326	13.18	335	5.12	130	10.00	254
—	1200	10.00	254	8.00	203	12.82	326	13.18	335	5.76	145	10.00	254
1000	1350	10.00	254	9.00	229	12.82	326	13.18	335	6.75	171	10.00	254
1200	—	10.00	254	10.00	254	12.82	326	13.18	335	7.76	196	10.00	254
1350	1600	10.00	254	11.00	279	12.82	326	13.18	335	8.75	222	10.00	254

Table 42 - Flanged Collar and Cutout Dimensions (Continued)

Ampere Rating		L		H		W				G		J	
Aluminum	Copper	IN	mm	IN	mm	3-Pole		4-Pole		IN	mm	IN	mm
1600	2000	10.00	254	13.88	352	18.82	478	19.18	487	11.63	295	16.00	406
2000	2500	10.00	254	15.88	403	18.82	478	19.18	487	13.63	346	16.00	406
2500	3000	10.00	254	19.88	505	18.82	478	19.18	487	17.63	448	16.00	406
—	3200	10.00	254	19.88	505	18.82	478	19.18	487	17.63	448	16.00	406
3000	—	10.00	254	22.75	578	18.82	478	19.18	487	20.50	521	16.00	406
4000	4000	10.00	254	28.75	730	18.82	478	19.18	487	26.50	673	16.00	406
—	5000	10.00	254	28.75	730	18.82	478	19.18	487	26.50	673	16.00	406

Flanged End Application Data

Figure 73 - Flanged Collar and Cutout Dimensions



Dimensions: in. mm

Table 43 - Aluminum Flanged End–Application Data

Aluminum Ampere Rating	Fig.	A		B		C	
		IN	mm	IN	mm	IN	mm
800	A	3.00	76	—	—	—	—
1000	A	4.00	102	—	—	—	—
1200	A	5.00	127	—	—	—	—
1350	A	6.00	152	—	—	—	—
1600	A	7.50	191	—	—	—	—
2000	B	4.50	114	11.38	289	2.38	60
2500	B	6.00	152	14.88	378	2.88	73
3000	B	7.50	191	17.38	441	2.38	60
4000	C	6.50	165	24.26	616	2.38	60

Table 44 - Copper Flanged End–Application Data

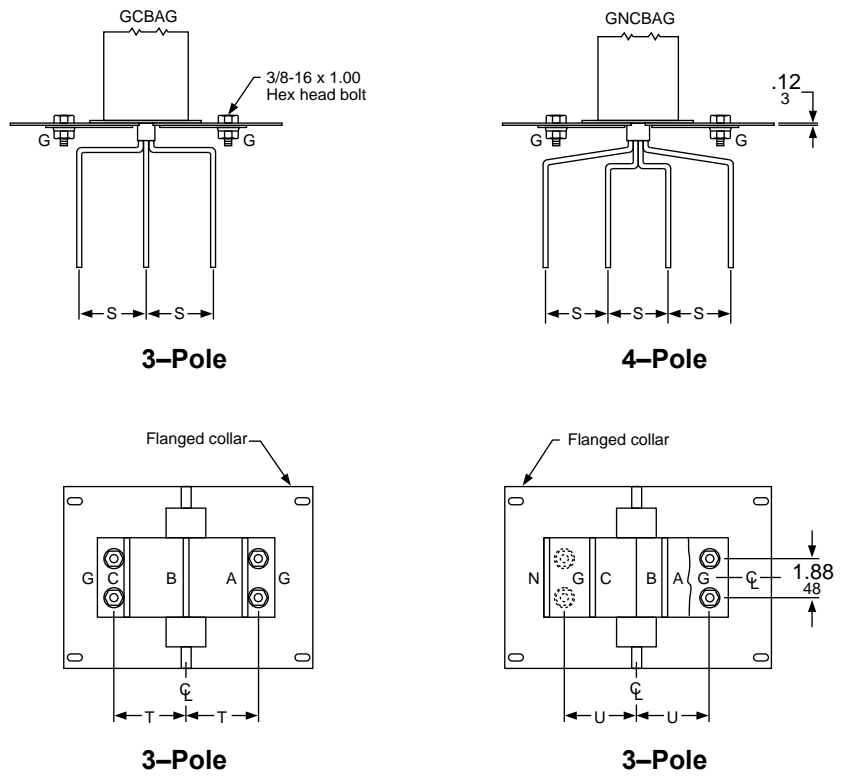
Copper Ampere Rating	Fig.	A		B		C	
		IN	mm	IN	mm	IN	mm
800	A	2.50	64	—	—	—	—
1000	A	3.00	76	—	—	—	—
1200	A	4.00	102	—	—	—	—
1350	A	4.50	114	—	—	—	—
1600	A	5.40	137	—	—	—	—
2000	A	6.50	165	—	—	—	—
2500	B	4.50	114	11.38	289	2.38	60
3000	B	5.00	127	13.88	353	3.88	99
3200	B	6.00	152	14.88	378	2.88	73
4000	C	4.50	114	22.26	565	4.38	111
5000	C	6.00	152	23.76	604	2.88	73

Table 45 - Flanged End-Flanged Collar Hole Location and Spacing

Ampere Rating		S		T		U	
Aluminum	Copper	IN	mm	IN	mm	IN	mm
—	800	3.00	76	3.62	92	3.81	97
800	1000	3.00	76	3.62	92	3.81	97
—	1200	3.00	76	3.62	92	3.81	97
1000	1350	3.00	76	3.62	92	3.81	97
1200	—	3.00	76	3.62	92	3.81	97
1350	1600	3.00	76	3.62	92	3.81	97
1600	2000	3.00	76	6.62	169	6.81	173
2000	2500	5.00	127	6.62	169	6.81	173
2500	3000	5.00	127	6.62	169	6.81	173
3000	—	5.00	127	6.62	169	6.81	173
—	3200	5.00	127	6.62	169	6.81	173
4000	4000	5.00	127	6.62	169	6.81	173
—	5000	5.00	127	6.62	169	6.81	173

NOTE: Refer to Detail of Phase Bussing Connections in a Switchboard.

Figure 74 - Flanged End-Flanged Collar Hole Location and Spacing



Dimensions: in.
mm

Detail of Phase Bussing Connections in a Switchboard

NOTE: For installation, maintenance, or relocation, use a torque wrench to tighten the bolt to 60–80 lb-ft (81–108 N•m).

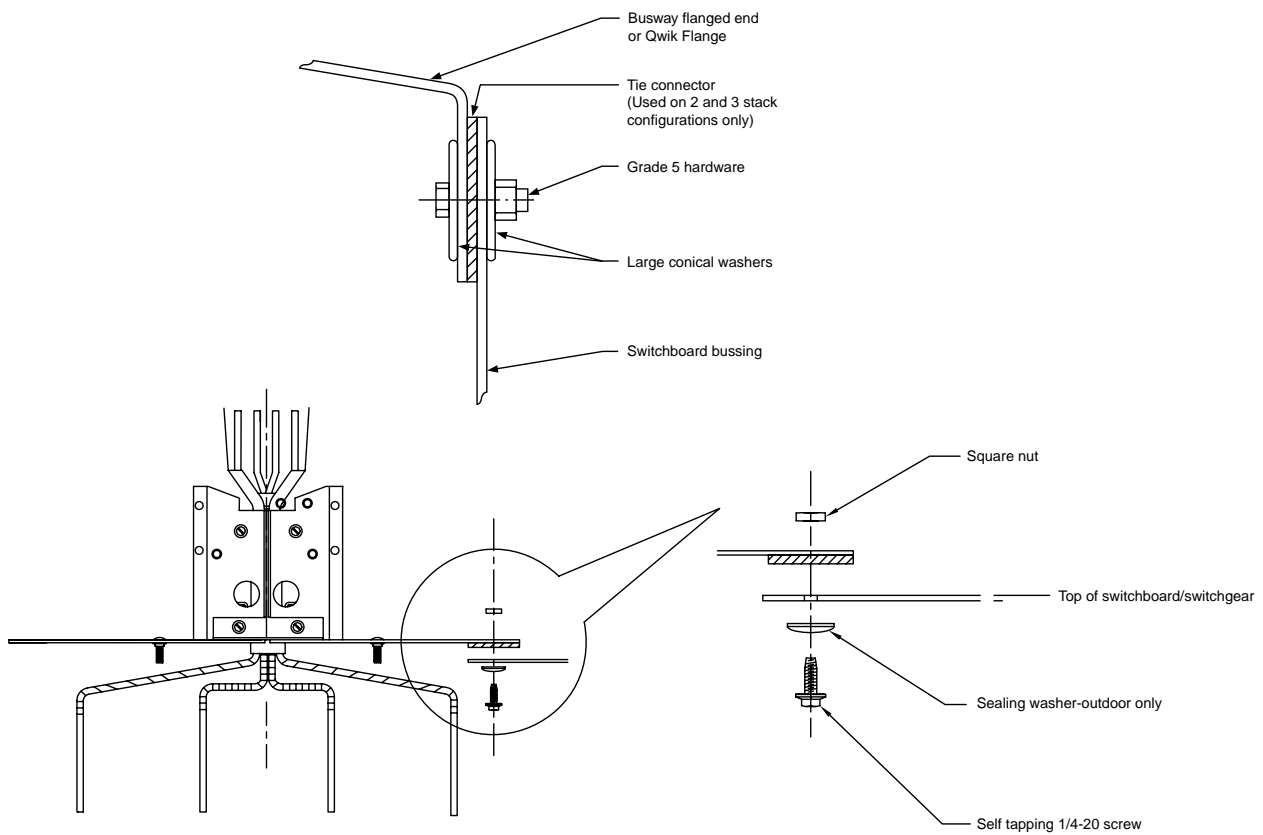
NOTICE

HAZARD OF EQUIPMENT DAMAGE

Improper contact pressure can cause overheating and equipment failure. Use 3-inch (76 mm) conical washers and Grade 5 hardware to ensure proper contact pressure.

Failure to follow these instructions can result in equipment damage.

Figure 75 - Switchboard Phase Bussing Connections



NOTE: Schneider Electric switchgear and switchboards use a unique flange end. For details, contact your local Schneider Electric representative.

Elbows

Figure 76 - Edgewise: Catalog Number Suffix–LEM11

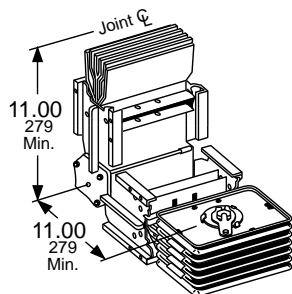


Figure 77 - Flatwise: Catalog Number Suffix–LFM

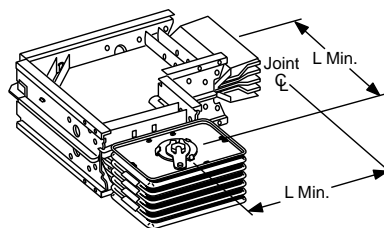


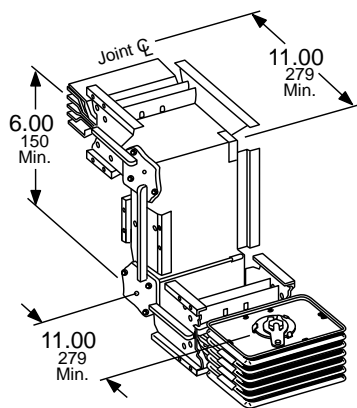
Table 46 - Flatwise Elbows–Application Data

Ampere Rating		L		Catalog Number Suffix
Aluminum	Copper	IN	mm	
—	800	11	279	0
800	1000	11	279	0
1000	1200	12	305	0
1200	1350	12	305	0
—	1600	12	305	0
1350	2000	13	330	0
1600	—	13	330	0
2000	2500	15	381	0
—	3000	16	406	0
2500	—	17	432	0
—	3200	17	432	0
3000	—	18	457	0
—	4000	21	533	0
—	5000	21	533	0
4000	—	22	559	0

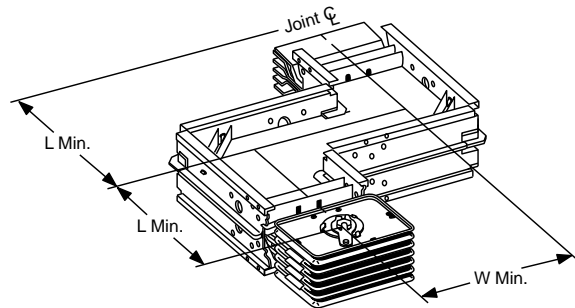
NOTE: Values are for thermal-rated busway. Contact Schneider Electric for other options such as low current density rated, harmonic rated, and IP54 rated

Offset Elbows

Figure 78 - Offset Elbows Dimensions



Edgewise: Catalog Number Suffix–OE



Flatwise: Catalog Number Suffix–OF

Dimensions: in.
mm

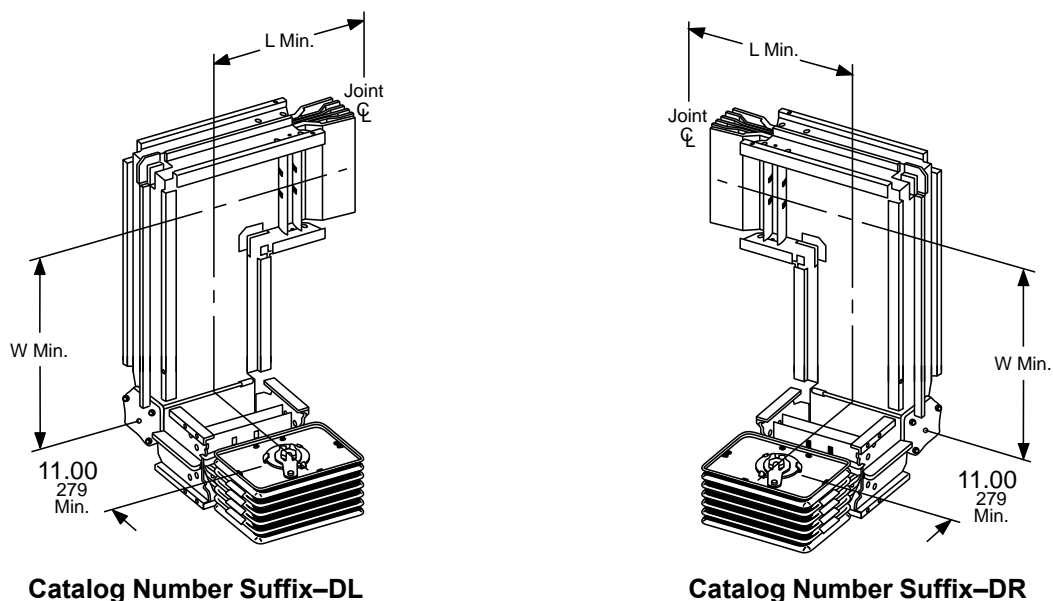
Table 47 - Flatwise Offset–Application Data

Ampere Rating		L		W	
Aluminum	Copper	IN	mm	IN	mm
800	800/1000	11.00	279	4.00	100
1000	1200	12.00	305	4.00	100
—	1350	12.00	305	4.00	100
1200	1600	12.00	305	6.00	150
1350	—	13.00	330	9.00	229
—	2000	13.00	330	9.00	229
1600	—	13.00	330	10.00	254
2000	2500	15.00	381	14.00	356
2500	—	17.00	432	16.00	406
—	3000	16.00	406	16.00	406
—	3200	17.00	432	16.00	406
3000	—	18.00	457	18.00	457
4000	—	22.00	559	25.00	635
—	4000	21.00	533	23.00	584
—	5000	21.00	533	25.00	635

NOTE: Values are for thermal-rated busway. Contact Schneider Electric for other options such as low current density rated, harmonic rated, and IP54 rated.

Double Elbows

Figure 79 - Double Elbows Dimensions



Dimensions: in.
mm

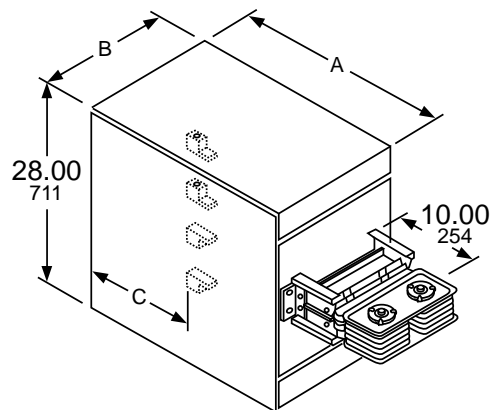
Table 48 - Double Elbows—Application Data

Ampere Rating		L		W	
Aluminum	Copper	IN	mm	IN	mm
800	800/1000	11.00	279	7.00	178
1000	1200	12.00	305	8.00	203
—	1350	12.00	305	8.00	203
1200	1600	12.00	305	8.00	203
1350	—	13.00	330	9.00	229
—	2000	13.00	330	9.00	229
1600	—	13.00	330	9.00	229
2000	2500	15.00	381	12.00	305
2500	—	17.00	432	14.00	356
—	3000	16.00	406	13.00	330
—	3200	17.00	432	14.00	356
3000	—	18.00	457	15.00	381
4000	—	22.00	559	18.00	457
—	4000	21.00	533	17.00	432
—	5000	21.00	533	18.00	457

NOTE: Values are for thermal-rated busway. Contact Schneider Electric for other options such as low current density rated, harmonic rated, and IP54 rated.

Cable Tap Box (End)

Figure 80 - Indoor Catalog Number Suffix–ETBMB



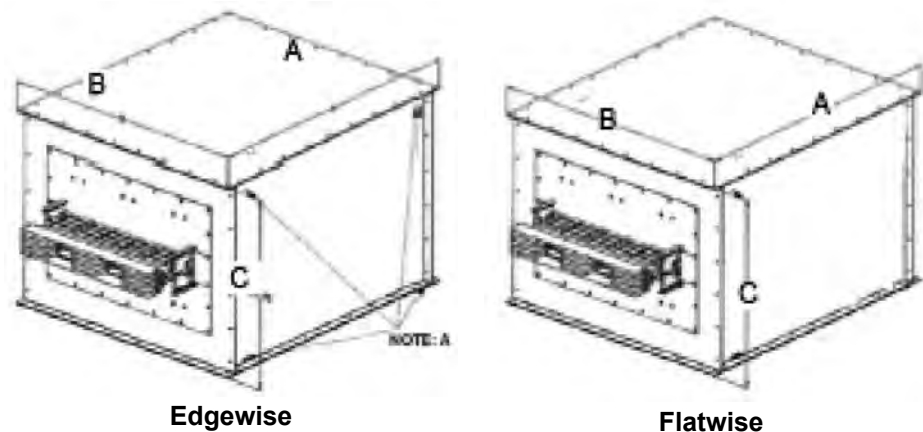
Dimensions: in.
mm

Table 49 - Indoor Cable Tap Box (End)–Application Data

Ampere Rating		Indoor						Lugs Per Phase and Neutral 1/0-600kcmil	Ground Lugs	
		A		B		C			#6-300 kcmil	1/0-600 kcmil
Aluminum	Copper	IN	mm	IN	mm	IN	mm			
800	800	29.14	740	11.00	279	16.00	406	3	3	—
1000	1000	29.14	740	11.00	279	16.00	406	4	4	—
1200	1200	29.14	740	11.00	279	16.00	406	4	4	—
1350	1350	29.14	740	14.88	378	16.00	406	5	5	—
1600	1600	29.14	740	14.88	378	16.00	406	6	6	—
—	2000	29.14	740	14.88	378	16.00	406	7	7	—
2000	—	29.14	740	16.88	429	16.00	406	7	7	—
2500	2500	39.38	1000	20.88	530	26.00	660	9	—	9
—	3000	39.38	1000	20.88	530	26.00	660	10	—	10
—	3200	39.38	1000	20.88	530	26.00	660	11	—	11
3000	—	39.38	1000	23.76	604	26.00	660	10	—	10
4000	4000	39.38	1000	29.76	756	26.00	660	14	—	14
—	5000	39.38	1000	29.76	756	26.00	660	17	—	17

NOTE: Values are for thermal-rated busway. Contact Schneider Electric for other options such as low current density rated, harmonic rated, and IP54 rated.

All sides are removable for access.

Figure 81 - Outdoor Catalog Number Suffix–ETBSEW (Edgewise) or ETBS (Flatwise)

NOTE: There is a 1.5 in. (38 mm) lip around the perimeter of the top and bottom cover and the two sidewalls

Table 50 - Outdoor Cable Tap Box (End)–Application Data

Ampere Rating		Outdoor–Edgewise						Outdoor–Flatwise					
		A		B		C		A		B		C	
Aluminum	Copper	IN	mm	IN	mm	IN	mm	IN	mm	IN	mm	IN	mm
800	800	32.14	816	30.78	782	15.22	387	32.14	816	18.00	457	28.00	711
1000	1000	32.14	816	30.78	782	15.22	387	32.14	816	18.00	457	28.00	711
1200	1200	32.14	816	30.78	782	15.22	387	32.14	816	18.00	457	28.00	711
1350	1350	32.14	816	30.78	782	19.10	485	32.14	816	21.88	556	28.00	711
1600	1600	32.14	816	30.78	782	19.10	485	32.14	816	21.88	556	28.00	711
—	2000	32.14	816	30.78	782	19.10	485	32.14	816	21.88	556	28.00	711
2000	—	32.14	816	30.78	782	21.10	536	32.14	816	23.88	607	28.00	711
2500	2500	42.38	1076	30.78	782	25.10	638	42.38	1076	27.88	708	28.00	711
—	3000	42.38	1076	30.78	782	25.10	638	42.38	1076	27.88	708	28.00	711
3000	—	42.38	1076	30.78	782	27.98	711	42.38	1076	30.76	781	28.00	711
4000	4000	42.38	1076	30.78	782	34.32	872	42.38	1076	37.10	942	28.00	711
—	5000	42.38	1076	30.78	782	34.32	872	42.38	1076	37.10	942	28.00	711

NOTE:

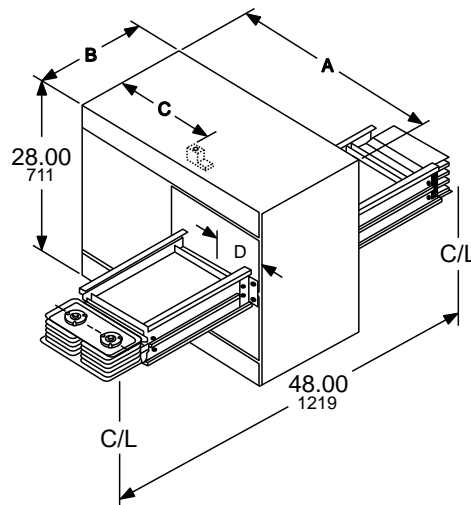
Values are for thermal-rated busway. Contact Schneider Electric for other options such as low current density rated, harmonic rated, and IP54 rated.

Edgewise or flatwise cable tap box (end) are applicable on vertical applications.

Due to the construction design, the edgewise and flatwise outdoor cable tap boxes are not interchangeable in the field.

Cable Tap Box (Center)

Figure 82 - Catalog Number Suffix–CTB¹¹



Dimensions: in.
mm

Table 51 - Cable Tap Box (Center)–Dimensions and Lug Specifications

Ampere Rating		A		B		C		D		Lugs Per Phase and Neutral 1/0-600 kcmil	Ground Lugs	
Aluminum	Copper	IN	mm	IN	mm	IN	mm	IN	mm		#6 -300 kmil	1/0-600 kcmil
800	800	35.00	889	14.00	356	16.00	406	7.27	185	3	3	—
1000	1000	35.00	889	14.00	356	16.00	406	7.27	185	4	4	—
1200	1200	35.00	889	14.00	356	16.00	406	7.27	185	4	4	—
1350	1350	35.00	889	14.00	356	16.00	406	7.27	185	5	5	—
1600	1600	35.00	889	14.00	356	16.00	406	7.27	185	6	6	—
—	2000	35.00	889	14.00	356	16.00	406	7.27	185	7	7	—
2000	—	41.70	1059	20.00	508	17.60	447	10.28	261	7	7	—
—	2500	41.70	1059	20.00	508	17.60	447	10.28	261	9	—	9
2500	—	41.70	1059	20.00	508	17.60	447	10.28	261	9	—	9
3000	3000	60.00	1524	22.00	559	29.00	737	16.00	406	10	—	10
—	3200	41.70	1059	20.00	508	17.60	447	10.28	261	11	—	11
4000	4000	63.00	1600	32.00	813	26.00	660	19.00	483	14	—	14
—	5000	63.00	1600	32.00	813	26.00	660	19.00	483	17	—	17

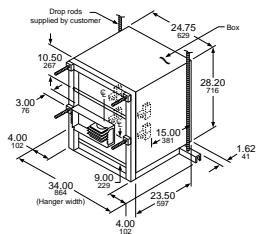
NOTE: Values are for thermal-rated busway. Contact Schneider Electric for other options such as low current density rated, harmonic rated, and IP54 rated.

11. 3000 A / 3200 A / 4000 A / 5000 A Center Tap Box Length—60 in. (1524 mm)

Cable Tap Box (Bolt On)

Table 52 - Cable Tap Box (Bolt On)–Lug Specifications and Catalog Numbers

Figure 83 - Cable Tap Box (Bolt On) Dimensions



Dimensions: in. mm

Ampere Rating	Lugs Per Phase and Neutral	Ground Lugs	Catalog Number	
			3Ø3W ¹²	3Ø4W ¹²
800	6 - 1/0-600	3 - 1/0-600	PTB316G_ ¹³	PTB516G_ ¹³
1000				
1200				
1350				
1600				

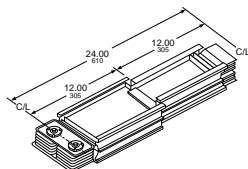
NOTE: Box can be moved to opposite end in field (Vertical Only). 20.2-inch (513 mm) clearance required from CLof busway, for mounting bolt-on tap boxes when box is on top; and 10.0-inch (254 mm) required mounting clearance when box is on the bottom.

Cannot be used on 800 A Copper I-Line II busway.

Unfused Reducer (Indoor Only)

Table 53 - Unfused Reducer (Indoor)–Ampere Ratings and Catalog No. Suffix

Figure 84 - Unfused Reducer (Indoor Only) Dimensions



Dimensions: in. mm

Bolt End Ampere Rating	Catalog Number Suffix and Slot End Ampere Rating									
	400	600	800	1000	1200	1350	1600	2000	2500	3000
800	0	0	—	—	—	—	—	—	—	—
1000	0	0	0	—	—	—	—	—	—	—
1200	0	0	0	0	—	—	—	—	—	—
1350	—	0	0	0	0	—	—	—	—	—
1600	—	0	0	0	0	0	—	—	—	—
2000	—	—	0	0	0	0	0	—	—	—
2500	—	—	—	0	0	0	0	0	—	—
3000	—	—	—	0	0	0	0	0	0	—
3200	—	—	—	—	0	0	0	0	0	0
4000	—	—	—	—	—	—	0	0	0	0
5000	—	—	—	—	—	—	—	0	0	0

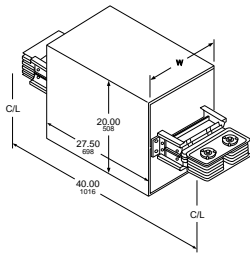
NOTE: The National Electrical Code states in Article 368-17(B) that overcurrent protection is required where busways are reduced in ampacity except for certain industrial applications.

- Can be used only on plug-in busway with the same number of poles (e.g., do not use 3-pole units on 3Ø4W busway or 3Ø4W units on 3-pole busway). Cannot be mounted in the last opening on either side of a busway run.
- Add “H” on the end of the catalog number for units that will be **horizontally mounted busway** and “V” for units that will be **vertically mounted busway**. These mounting frames are NOT interchangeable.

Expansion Fitting (Indoor Only)

Table 54 - Expansion Fitting (Indoor)

Figure 85 - Catalog Number Suffix—EJ



Dimensions: in.
mm

Ampere Rating		W	
Aluminum	Copper	IN	mm
800	800	13.50	343
1000	1000	13.50	343
1200	1200	13.50	343
1350	1350	17.38	441
1600	1600	17.38	441
—	2000	17.38	441
2000	2500	19.38	492
2500	3000	23.38	594
3000	—	26.25	667
—	3200	23.38	594
4000	4000	32.25	819
—	5000	32.25	819

NOTE:

Expansion joint permits 1.50 inches (38 mm) of expansion or contraction.

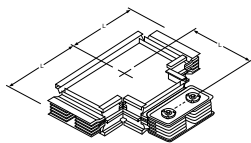
An expansion fitting should be used under the following conditions: whenever a busway run crosses a building expansion, when a long straight run of busway does not contain any elbows, or both ends of the run are fixed.

Values are for thermal-rated busway. Contact Schneider Electric for other options such as low current density rated, harmonic rated, and IP54 rated.

Tees

Table 55 - Tees—Dimensions and Catalog No. Suffix

Figure 86 - Tee Dimensions



Dimensions: in.
mm

Ampere Rating		L		Catalog Number Suffix
Aluminum	Copper	IN	mm	
—	800	11.00	279	-33TFS11B11S11
800	1000	11.00	279	-33TFS11B11S11
1000	1200	12.00	305	-36TFS12B12S12
1200	1350	12.00	305	-36TFS12B12S12
—	1600	12.00	305	-36TFS12B12S12
1350	2000	13.00	330	-39TFS13B13S13
1600	—	13.00	330	-39TFS13B13S13
2000	2500	15.00 ¹⁴	381 ¹⁴	-45TFS15B15S15
—	3000	16.00 ¹⁴	406 ¹⁴	-48TFS16B16S16
2500	—	17.00 ¹⁴	432 ¹⁴	-51TFS17B17S17
3000	—	18.00 ¹⁴	457 ¹⁴	-54TFS18B18S18
—	3200	17.00	432	-51TFS17B17S17
—	4000	21.00 ¹⁴	533 ¹⁴	-63TFS21B21S21
—	5000	21.00 ¹⁴	533 ¹⁴	-63TFS21B21S21
4000	—	22.00 ¹⁴	559 ¹⁴	-66TFS22B22S22

NOTE: Values are for thermal-rated busway. Contact Schneider Electric for other options such as low current density rated, harmonic rated, and IP54 rated.

Service Head Flatwise

Figure 87 - Catalog Number Suffix—71SB

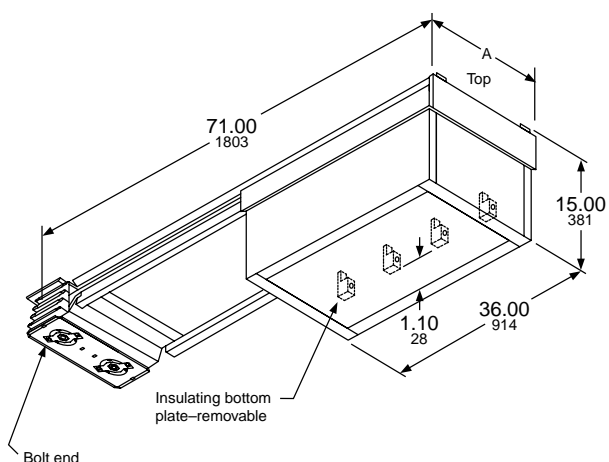
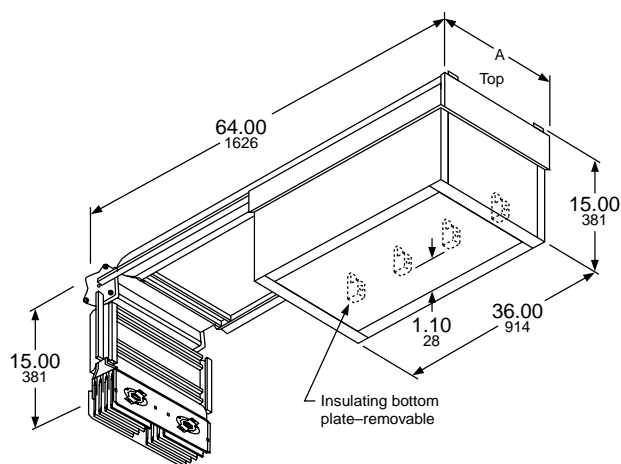


Figure 88 - Catalog Number Suffix—79LESBS15T64



Dimensions: in.
mm

14. Add 1 inch (25 mm) to L dimensions of outdoor tees.

Transformer Tap (One 3Ø Transformer)

Figure 89 - Catalog Number Suffix—71SF

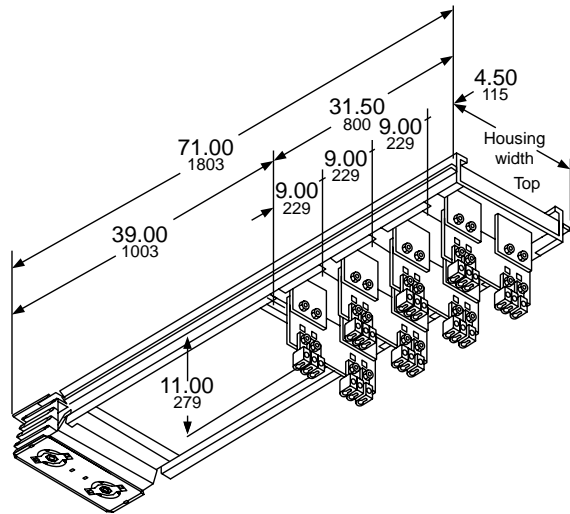
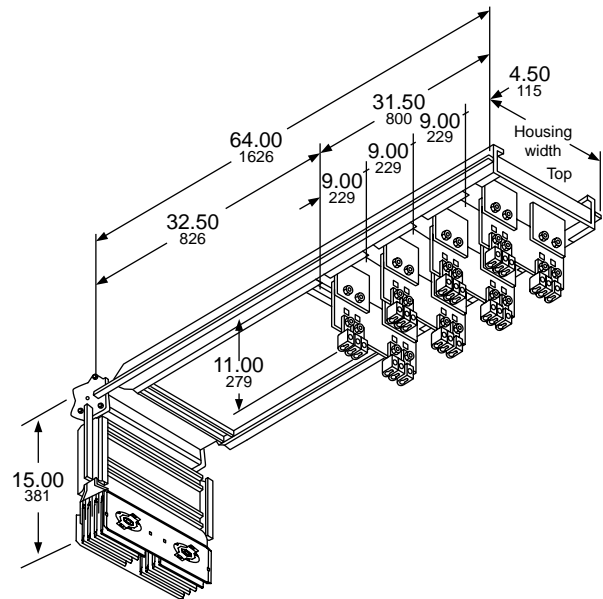


Figure 90 - Catalog Number Suffix—79LESFS15T64



Dimensions: in. mm

Table 56 - Service Head Flatwise and Transformer Tap (One 3Ø Transformer)—Lug Specifications

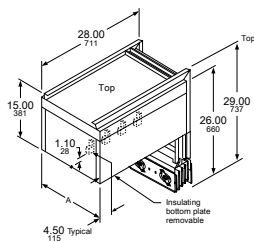
Ampere Rating	A	Lugs Per Phase and Neutral 1/0-600 kcmil	Ground Lugs #6-300 kcmil
800	Housing Width Plus 2.23 57	2	2
1000		3	3
1200		4	3
1350		4	3
1600		4	4
2000		5	5
2500		7	6
3000		8	7
3200		9	8
4000		10	9
5000		13	11

NOTE: Service entrance devices can be ordered with an indoor type joint pack for those applications where the service head is outdoors and penetrates a wall such that the first joint is indoors. **Service entrance devices come standard** with an outdoor type joint pack. For indoor IP54 rated applications, an end cable tap box rated the same can be ordered.

Service Head Vertical

Table 57 - Service Head Vertical—Lug Specifications

Figure 91 - Catalog Number Suffix—29SV



Dimensions: in. mm

Ampere Rating	A	Lugs Per Phase and Neutral 1/0-600 kcmil	Ground Lugs #6-300 kcmil
800	Housing Width Plus 2.23 57	2	2
1000		3	3
1200		4	3
1350		4	3
1600		4	4
2000		5	5
2500		7	6
3000		8	7
3200		9	8
4000		10	9
5000		13	11

NOTE:

Other lengths available. Contact your local Schneider Electric representative.

Vertical service heads must be braced or supported near top, to withstand weight of cables, ice, wind, etc.

Refer to NEC Article 230.24 for required clearance of service drops over roof overhang or the ground.

Table 58 - Transformer Tap—Dimensions and Lug Specifications

Ampere Rating		X		Y		Lugs Per Phase and Neutral 1/0-600 kcmil	Ground Lugs #6-300 kcmil
Aluminum	Copper	IN	mm	IN	mm		
—	800	2.50	63	16.00	406	2	2
800	1000	3.00	76	16.50	419	2	2
1000	1200	4.00	102	17.50	444	3	3
—	1350	4.50	114	18.00	457	4	3
1200	—	5.00	127	18.50	470	4	3
—	1600	5.40	137	18.90	480	4	4
1350	—	6.00	152	19.50	495	4	3
—	2000	6.50	165	20.00	508	5	5
1600	—	7.50	190	21.00	533	4	4
2000	—	4.50	114	15.00	381	5	5
—	2500	4.50	114	15.00	381	7	6
2500	—	6.00	152	18.00	457	7	6
—	3000	5.00	127	16.00	406	8	7
3000	—	7.50	191	21.00	533	8	7
—	3200	6.00	152	18.00	457	9	8
—	4000	4.50	114	15.00	381	10	9
4000	—	6.50	165	19.00	483	10	9
—	5000	6.00	152	18.00	457	13	11

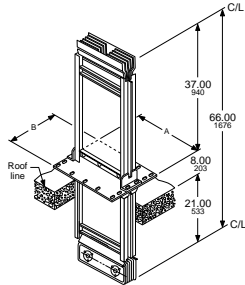
Bussed Transformer Connections 800–5000

For throat and padmount type connections, see Information Needed for Bussed Transformer Connection (Throat Type) and Information Needed for Bussed Transformer Connection (Pad-Mounted Type). For additional bus connection questions, contact your local Schneider Electric representative.

Straight Length with Flanged Collar

Table 59 - Straight Length with Flanged Collar—Dimensions

Figure 93 - Catalog Number Suffix—66 FCS37B29



Dimensions: in.
mm

Ampere Rating		A		B ¹⁵	
Aluminum	Copper	IN	mm	IN	mm
—	800	9.38	238	13.18	335
800	1000	9.38	238	13.18	335
—	1200	11.00	279	13.18	335
1000	1350	11.00	279	13.18	335
1200	—	12.00	305	13.18	335
1350	1600	13.00	330	13.18	335
1600	2000	15.88	403	19.18	487
2000	2500	17.88	454	19.18	487
2500	3000	21.88	556	19.18	487
—	3200	21.88	556	19.18	487
3000	—	24.75	629	19.18	487
4000	4000	30.75	781	19.18	487
—	5000	30.75	781	19.18	487

NOTE: Other lengths and configurations available. Contact your local Schneider Electric representative for assistance.

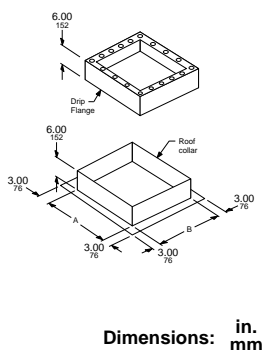
For application information on Vertical Service Head Penetrating a Roof, see Typical Connection of Transformer to Busway using Cables.

15. 4-Pole dimensions. For 3-Pole dimensions subtract 0.32 in. (8 mm).

Roof Flange Kit

Table 60 - Roof Flange Kit—Catalog Numbers

Figure 94 - Roof Flange Kit



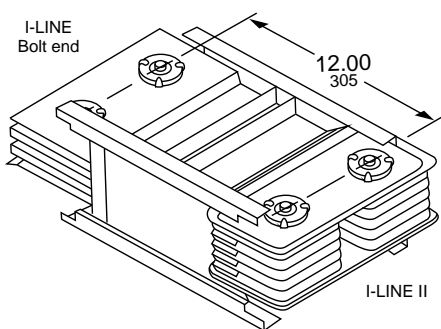
Ampere Rating		Catalog Number
Aluminum	Copper	
—	800	ACF-38-RF
800	1000	ACF-38-RF
—	1200	ACF-53-RF
1000	1350	ACF-53-RF
1200	—	ACF-63-RF
1350	1600	ACF-67-RF
1600	2000	ACF-78-RF
2000	2500	ACF-13-RF
2500	3000	ACF-15-RF
—	3200	ACF-15-RF
3000	—	ACF-19-RF
4000	4000	ACF-24-RF
—	5000	ACF-24-RF

NOTE:

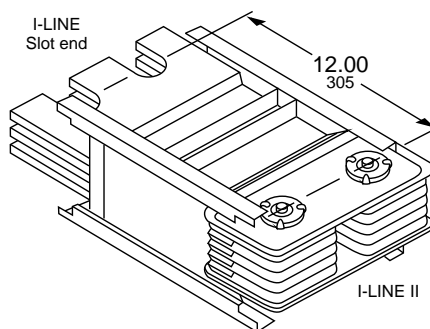
1. Roof flange kit will accommodate roof slope up to one inch per foot. The roof flange kit consists of one drip flange and one roof collar and must be ordered separately from the straight length with flange collar (66FCS37B29).
2. For “A” and “B” dimensions, refer to Straight Length with Flanged Collar—Dimensions.

Adapter (Indoor Only)—I-Line to I-Line II

Figure 95 - Adapter (Indoor Only)



Catalog Number Suffix—12B



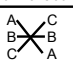



Catalog Number Suffix—12s

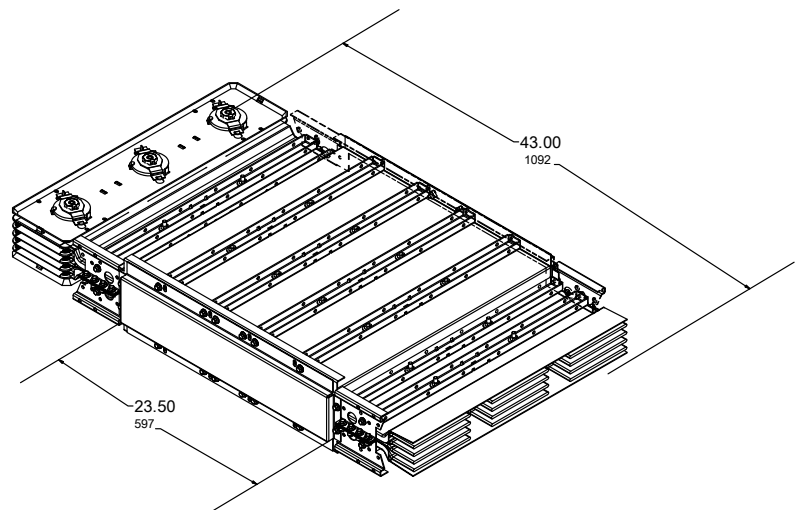
Dimensions: in. mm

NOTE: Contact the factory if connecting to Series I I-Line busway before ordering for coordination of joint and adapter details.

Phase Transition (Indoor Only)

Figure 96 - Phase Transition (Indoor Only) Catalog Suffixes and Dimensions

3-Pole	Catalog # Suffix
180° Transition 	PT
4-Pole	Catalog # Suffix
180° Transition 	PT
180° Neutral Transition 	PTN
A and C Phase Transition 	PTAC

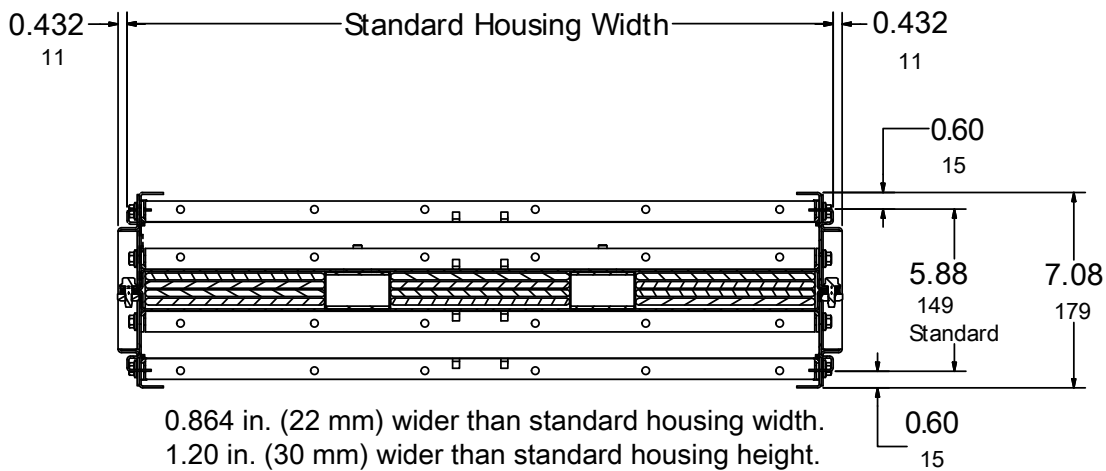


43 in. (1092 mm) minimum
 62 in. (1575 mm) maximum

Available in 1 in. (25 mm) increments

Dimensions: in.
mm

Figure 97 - Phase Transition X-Section



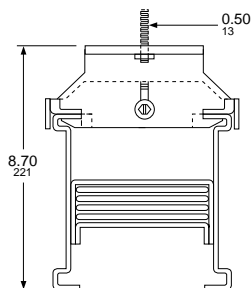
Dimensions: in.
mm

Hanger (Horizontal Flatwise)

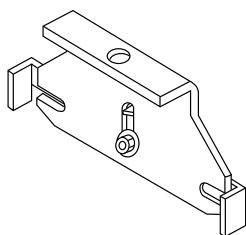
NOTE: See the hanger spacing installation requirements in Hanger Spacing.

Table 61 - Hanger (Horizontal Flatwise)—Catalog Numbers

Figure 98 - Hanger (Horizontal Flatwise) Dimensions and Example



NOTE: Nuts and 1/2 in. (13 mm) drop rods supplied by customer.

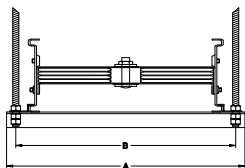


Dimensions: in.
mm

Ampere Rating		Catalog Number
Aluminum	Copper	
—	800	HF-38-F
800	1000	HF-43-F
1000	1200	HF-53-F
—	1350	HF-58-F
1200	—	HF-63-F
—	1600	HF-67-F
1350	—	HF-73-F
—	2000	HF-78-F
1600	—	HF-88-F

Table 62 - Hanger (Horizontal Flatwise)—Catalog Numbers and Dimensions

Figure 99 - Hanger (Horizontal Flatwise) Dimensions

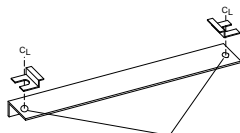


NOTE: Nuts and 1/2 in. (13 mm) drop rods supplied by customer.

Ampere Rating		Catalog Number	A		B	
Aluminum	Copper		IN	mm	IN	mm
2000	2500	HF-13-F	16.22	412	14.72	374
—	3000	HF-15-F	18.72	475	17.22	437
2500	3200	HF-16-F	19.72	501	18.22	463
3000	—	HF-19-F	22.22	564	20.72	526
—	4000	HF-24-F	27.10	688	25.60	650
—	5000	HF-25-F	28.60	726	27.10	688
4000	—	HF-26-F	29.10	739	27.60	701

NOTE: Hold-down clips may be ordered separately (catalog no. 45110-200-01). Two are required for each hanger. Please contact your local Schneider Electric representative.

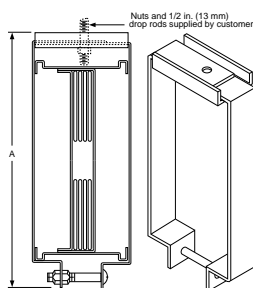
Figure 100 - Hanger Hold-Down Clips



Hanger (Horizontal Edgewise)

Table 63 - Hanger (Horizontal Edgewise)—Dimensions and Catalog Numbers

Figure 101 - Hanger (Horizontal Edgewise) Dimensions and Example

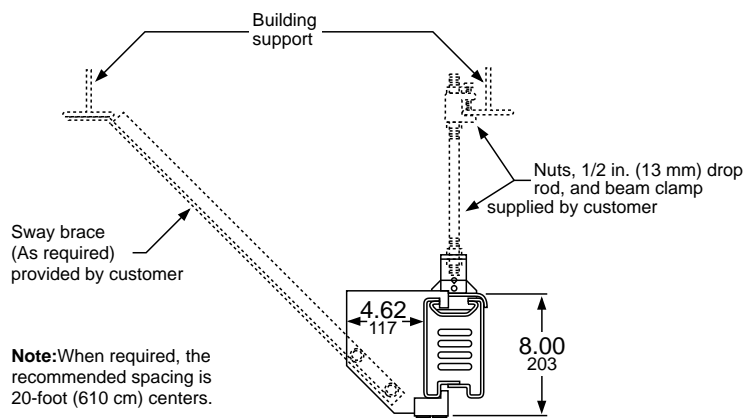


Dimensions: in. mm

Ampere Rating		A		Catalog Number
Aluminum	Copper	IN	mm	
800	800	8.36	212	HF-43-E
—	1000	8.36	212	HF-43-E
1000	1200	9.86	250	HF-58-E
—	1350	9.86	250	HF-58-E
1200	1600	10.86	276	HF-67-E
1350	2000	11.86	301	HF-78-E
1600	—	13.86	339	HF-88-E
2000	2500	17.24	438	HF-13-E
—	3000	19.74	501	HF-15-E
2500	3200	20.74	527	HF-16-E
3000	—	24.12	613	HF-19-E
—	4000	28.12	714	HF-24-E
4000	5000	29.62	752	HF-26-E

Sway Brace Collar

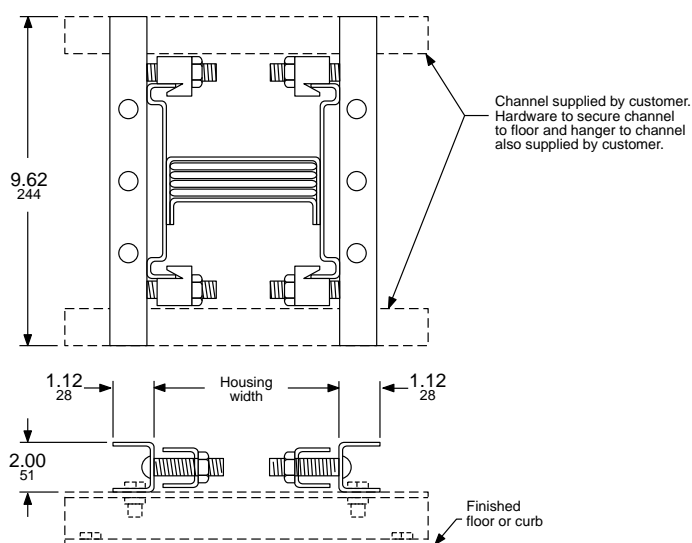
Figure 102 - Catalog Number HP-1-SBC



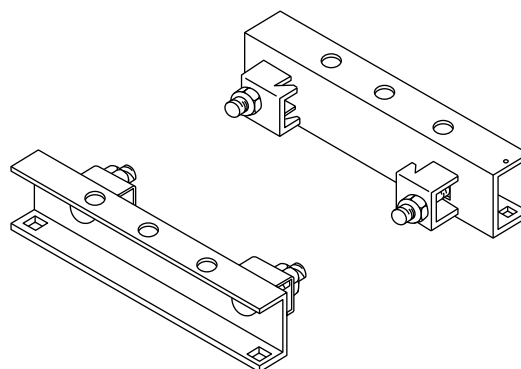
Sway braces are used when only one side of the busway is heavily loaded with tap-off units or when other factors could cause possible swaying of the busway.

Hanger (Vertical Fixed)

Figure 103 - Hanger (Vertical Fixed) Dimensions and Examples



Hanger—Vertical Fixed



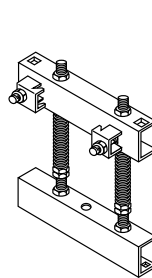
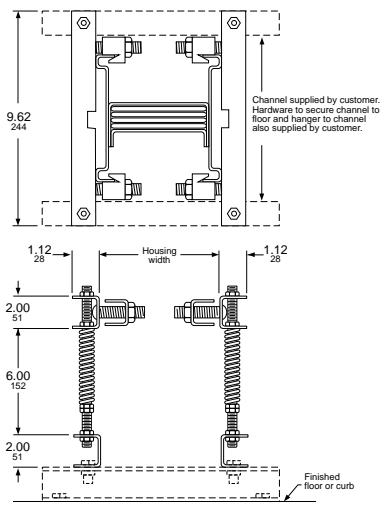
Catalog Number HF-V

NOTE: Allow 13.25 inches (337 mm) above curb or floor to \varnothing of joint for proper installation of tie channel cover.

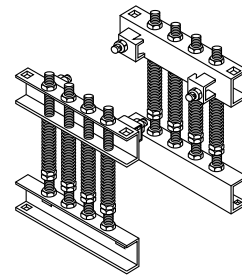
Dimensions: in. mm

Hanger (Vertical Spring)

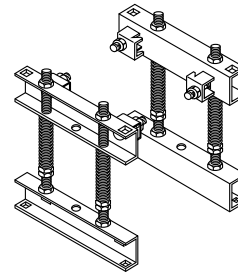
Figure 104 - Hanger (Vertical Spring) Dimensions and Examples



HF-VS1



HF-VS8



HF-VS2

NOTE: Allow 21 inches (533 mm) above curb or floor to C of joint for proper installation of tie channel cover.

Dimensions: in.
mm

NOTE: See I-Line II Busway Vertical Spring Hanger instruction bulletin no. 45123-930-01 for common notes, including the consideration of the plug-in unit weights in the overall weight of the busway stack.

Table 64 - Hanger (Vertical Spring)—Catalog Numbers

Thermal Ampere Rating		Housing Reference	Catalog Number
Aluminum	Copper		
—	800	3.84	HFVS1
800	1000	4.34	HFVS1
—	1200	5.34	HFVS1
1000	—	5.34	HFVS1
1200	—	6.34	HFVS1
1350	—	7.34	HFVS1
1600	—	8.84	HFVS1
—	1350	5.84	HFVS2
—	1600	6.74	HFVS2
—	2000	7.84	HFVS2
2000	—	12.72	HFVS2
2500	—	16.22	HFVS2
—	2500	12.72	HFVS8
—	3000	15.22	HFVS8
—	3200	16.22	HFVS8
3000	—	18.72	HFVS8
—	4000	23.6	HFVS8
—	5000	25.1	HFVS8
4000	—	25.6	HFVS8

Hanger (Horizontal Seismic)

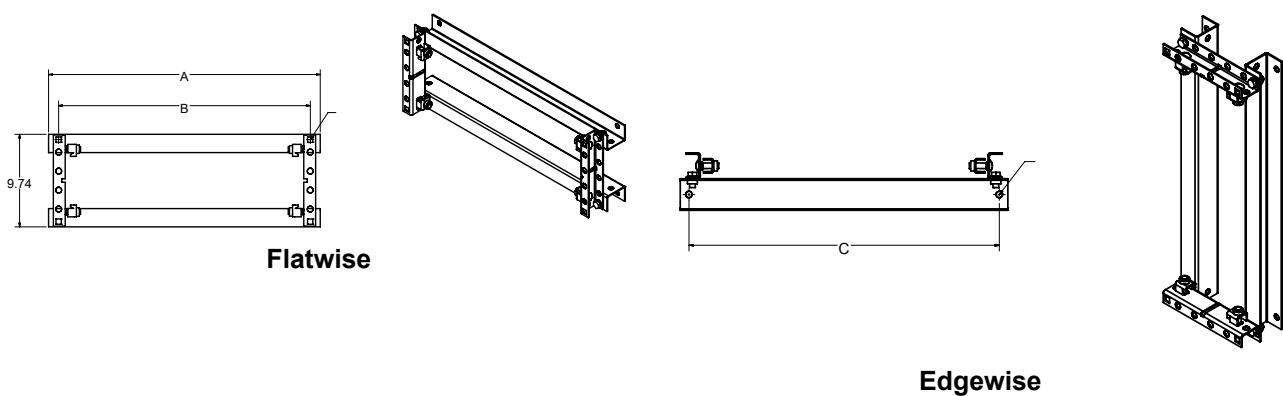
Figure 105 - Hanger (Horizontal Seismic) Dimensions and Examples

Table 65 - Horizontal Seismic Hanger—Dimensions

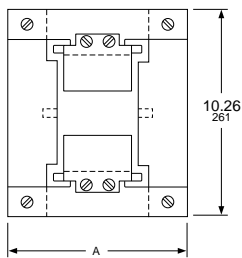
Ampere Rating		Catalog Number	A		B		C	
Aluminum	Copper		IN	mm	IN	mm	IN	mm
—	800	HF38SH	7.34	186	5.22	133	5.84	148
800	1000	HF43SH	7.84	199	5.72	145	6.34	161
1000	1200	HF53SH	8.84	225	6.72	171	7.34	186
—	1350	HF58SH	9.34	237	7.22	183	7.84	199
1200	—	HF63SH	9.84	250	7.72	196	8.34	212
—	1600	HF67SH	10.24	260	8.12	206	8.74	222
1350	—	HF73SH	10.84	275	8.72	221	9.34	237
—	2000	HF78SH	11.34	288	9.22	234	9.84	250
1600	—	HF88SH	12.34	313	10.22	260	10.84	275
2000	2500	HF13SH	16.22	412	14.10	358	14.72	374
—	3000	HF15SH	18.72	475	16.60	422	17.22	437
2500	3200	HF16SH	19.72	501	17.60	447	18.22	463
3000	—	HF19SH	22.22	564	20.10	511	20.72	526
—	5000	HF25SH	28.60	726	26.48	673	27.10	688
—	4000	HF24SH	27.10	688	24.98	634	25.60	650
4000	—	HF26SH	29.10	739	26.98	685	27.60	701

NOTE: For seismic applications, seismic hangers must be used for horizontally mounted busway. Standard vertical hangers should be used for vertically mounted busway.

Wall and Floor Flange

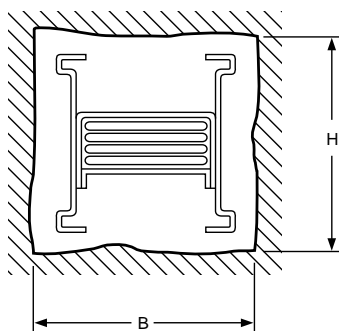
Table 66 - Wall and Floor Flange—Dimensions and Catalog Numbers

Figure 106 - Four-Piece Closing Plate for Finished Look



Ampere Rating		A		Catalog Number
Aluminum	Copper	IN	mm	
—	800	8.32	211	ACF-38-WF
800	1000	8.82	224	ACF-43-WF
1000	1200	9.82	249	ACF-53-WF
—	1350	10.32	262	ACF-58-WF
1200	—	10.82	275	ACF-63-WF
—	1600	11.22	285	ACF-67-WF
1350	—	11.82	300	ACF-73-WF
—	2000	12.32	313	ACF-78-WF
1600	—	13.32	338	ACF-88-WF
2000	2500	17.2	437	ACF-13-WF
—	3000	19.7	500	ACF-15-WF
2500	3200	20.7	526	ACF-17-WF
3000	—	23.2	589	ACF-19-WF
—	4000	28.08	713	ACF-24-WF
—	3200	20.7	526	ACF-17-WF
—	5000	29.58	751	ACF-25-WF
4000	—	30.08	764	ACF-26-WF

Figure 107 - Required Wall / Floor Opening



Dimensions: in.
mm

Table 67 - Wall and Floor Required Cut-Outs—Dimensions

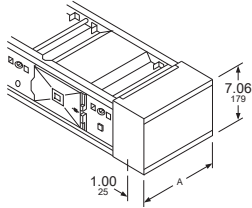
Ampere Rating		Indoor Str. Lnth.		Outdoor Str. Lnth.		Fl. End		Flatwise Elbow ¹⁶							Edgewise Elbow ¹⁶						
								H	B (Various Wall Thickness)						B	H (Various Wall Thickness)					
Alu-m.	Cop-per	B	H	B	H	B	H		H	4	8	12	16	20		24	B	4	8	12	16
—	800	6	8	8	9	10	21	8	9	11	13	15	17	19	6	12	14	16	18	20	24
800	1000	6	8	9	9	10	21	8	10	12	14	16	18	20	6	12	14	16	18	20	22
1000	1200	7	8	10	9	11	21	8	12	14	16	18	20	22	7	12	14	16	18	20	22
—	1350	8	8	10	9	12	21	8	12	14	16	18	20	22	8	12	14	16	18	20	22
1200	—	8	8	11	9	13	21	8	13	15	17	19	21	23	8	12	14	16	18	20	22
1350	1600	9	8	12	9	14	21	8	14	16	18	20	22	24	9	12	14	16	18	20	22
—	2000	10	8	12	9	17	21	8	15	17	19	21	23	25	10	12	14	16	18	20	22
1600	—	11	8	13	9	17	21	8	17	19	21	23	25	27	11	12	14	16	18	20	22
2000	2500	15	8	17	9	19	21	8	22	24	26	28	30	32	15	12	14	16	18	20	22
—	3000	17	8	20	9	23	21	8	26	28	30	32	34	36	17	12	14	16	18	20	22
2500	3200	18	8	21	9	23	21	8	27	29	31	33	35	37	18	12	14	16	18	20	22
3000	—	21	8	23	9	26	21	8	31	33	35	37	39	41	21	12	14	16	18	20	22
—	4000	26	8	28	9	32	21	8	37	39	41	43	45	47	26	12	14	16	18	20	22
—	5000	27	8	30	9	32	21	8	40	42	44	46	48	50	27	12	14	16	18	20	22
4000	—	28	8	30	9	32	21	8	40	42	44	46	48	50	28	12	14	16	18	20	22

16. All dimensions are shown in inches. To convert to millimeters, multiply the dimension in inches by 25.4.

End Closure (Indoor Only)

Table 68 - End Closure (Indoor)-Dimensions and Catalog Numbers

Figure 108 - End Closure (Indoor Only) Dimensions



Dimensions: in. mm

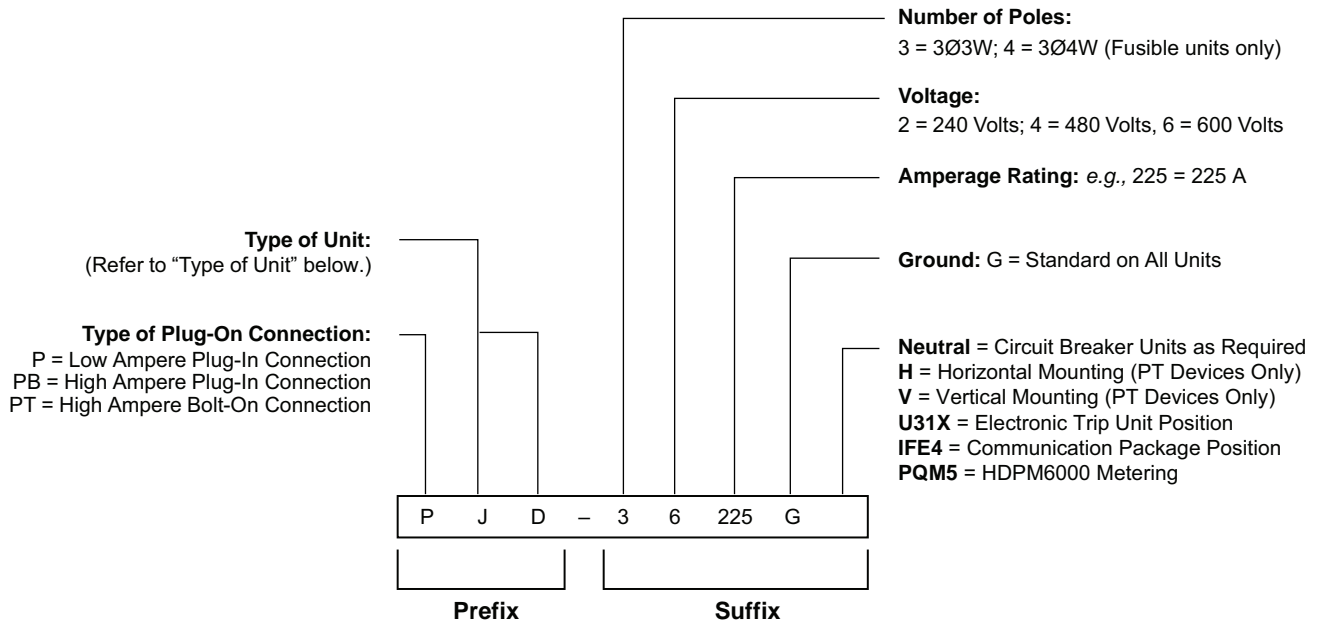
Ampere Rating		A		Catalog Number
Aluminum	Copper	IN	mm	
—	800	4.34	110	ACF-38-EC
800	1000	4.84	123	ACF-43-EC
1000	1200	5.84	148	ACF-53-EC
—	1350	6.34	161	ACF-58-EC
1200	—	6.84	174	ACF-63-EC
—	1600	7.24	184	ACF-67-EC
1350	—	7.84	199	ACF-73-EC
—	2000	8.34	212	ACF-78-EC
1600	—	9.34	237	ACF-88-EC
2000	2500	13.22	336	ACF-13-EC
—	3000	15.72	399	ACF-15-EC
2500	3200	16.72	425	ACF-17-EC
3000	—	19.22	488	ACF-19-EC
—	4000	24.10	612	ACF-24-EC
4000	—	26.10	663	ACF-26-EC
—	5000	25.60	650	ACF-25-EC

NOTE: Values are for thermal-rated busway. Contact Schneider Electric for other options such as low current density rated, harmonic rated, and IP54 rated.

I-Line Plug-In Units—Bus Plugs

Plug-In Catalog Numbering System

Catalog numbers are composed of two basic parts—the **prefix** plus the **suffix**. The **prefix** contains the general descriptive details of the plug-in unit and outline in Compatibility through Combination Circuit Breaker and Starter—Contactor. The **suffix** defines the exact device type.



NOTE: For U31X, see Busway section in Digest for listing. For IFE4, see Busway section in Digest, H- and J-Frame Circuit Breaker Plug-In Units with Communications—60–250 A and L-Frame Circuit Breaker Plug-In Units with Communications—250–600 A. For PQM5, see H- and J-Frame Plug-In Units with Energy Metering.

Type of Unit

Table 69 - Maximum Amperage for Unit Types

Type	Amperage
Q-Fusible Unit	1200 A Maximum
S-Fusible Vertical Riser Unit	200 A Only
HD-HD Frame Circuit Breaker Unit	150 A Maximum
HG-HG Frame Circuit Breaker Unit	150 A Maximum
HJ-HJ Frame Circuit Breaker Unit	150 A Maximum
HL-HL Frame Circuit Breaker Unit	150 A Maximum
JD-JD Frame Circuit Breaker Unit	250 A Maximum
JG-JG Frame Circuit Breaker Unit	250 A Maximum
JJ-JJ Frame Circuit Breaker Unit	250 A Maximum
JL-JL Frame Circuit Breaker Unit	250 A Maximum
LG-LG Frame Circuit Breaker Unit	600 A Maximum

Type	Amperage
LJ-LJ Frame Circuit Breaker Unit	600 A Maximum
LL-LL Frame Circuit Breaker Unit	600 A Maximum
LR-LR Frame Circuit Breaker Unit	600 A Maximum
MG-MG Frame Circuit Breaker Unit	800 A Maximum
MJ-MJ Frame Circuit Breaker Unit	800 A Maximum
PG-PG Frame Circuit Breaker Unit	1200 A Maximum
PJ-PJ Frame Circuit Breaker Unit	1200 A Maximum
RG-RG Frame Circuit Breaker Unit	1600 A Maximum
RJ-RJ Frame Circuit Breaker Unit	1600 A Maximum
RL-RL Frame Circuit Breaker Unit	1600 A Maximum

NOTE: Special purpose plug-in devices are not defined by this catalog numbering system. Consult the factory for catalog numbering details for these devices.

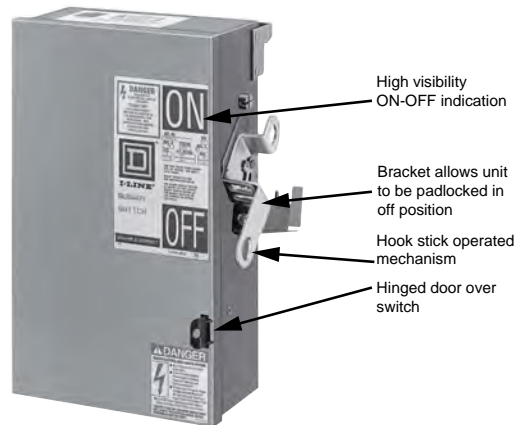
Compatibility

All non-IP54 plug-in units in this catalog can be used on original I-Line as well as I-Line II busway. There is no need to stock two different types of units.

Fusible

All plug-in switches contain a heavy-duty safety switch mechanism.

Figure 109 - Fusible Unit



Circuit Breakers

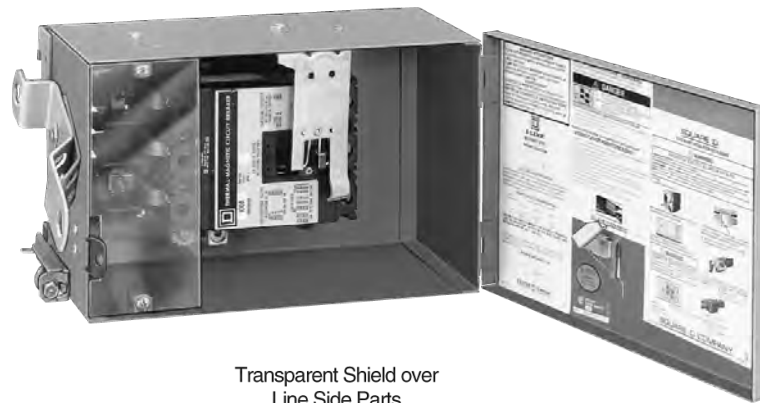
Molded case circuit breaker plug-in devices are available in frame sizes of 150 A (HD)—1600 A (RG) with standard, high-interrupting, current-limiting, and solid-state trip circuit breakers.

The operating handle gives visual indication of tripped status for all devices as well as floor operable reset on all devices. The FA frame circuit breaker unit would fit into the same enclosure as the standard molded case breaker shown below.

The mounting and the interlock are identical to the fusible unit shown above.

The short circuit ratings for circuit breaker devices are listed in Interrupting Capacity of Circuit Breaker Plug-In Units.

Figure 110 - Standard Molded Case Circuit Breaker



Transparent Shield over
Line Side Parts

Circuit Breakers with Communications

Busway plug-in units are available with optional communication capabilities.

NOTE: The communications box is not available as standalone.



Circuit Breakers with Energy Metering



Plug-In Device Mounting

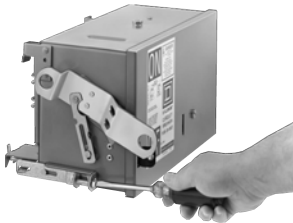
Figure 111 - Plug-In Device Mounting Example



Plug-in units are positioned along the busway length by notches in the busway housing top that accept the mounting hooks of the plug-in unit. This aligns the plug-in unit connectors with the plug-in opening. After the unit is positioned on the busway, it is allowed to swing down into the plug-in opening where the connectors make contact with the bus bars. This is accomplished in a “hook-swing” sequence of motions.

Interlock

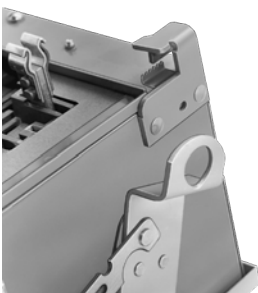
Figure 112 - Interlock Example



Plug-in devices rated for 30–250 A are interlocked with the busway housing to prevent installation or removal of the unit when the disconnect is turned ON. All devices incorporate an interlock to prevent the door over the disconnect from being opened when the unit is ON. This door interlock can be defeated from outside the unit.

Grounding

Figure 113 - Grounding Spring



All plug-in units come with standard grounding means. A grounding spring cuts through the busway paint and forms an electrical ground continuity. An equipment ground is established before the phase jaws make contact with the bus bars by means of a grounding stab, which then makes contact with two ground jaws on the busway. A ground lug on the inside of the plug-in unit is provided for the purpose of attaching a ground wire.

Splash Resistant Feature (Optional)

Plug-in units installed on IP54 busway also require protection from occasional water exposure, such as roof leaks or sprinklers. The plug-in unit splash resistant feature is tested per the IEC 60529 standard and is rated IP54. This feature is available as an option for most plug-in unit enclosures and is identified by the addition of “M54” at the end of the standard catalog number.

IP54 plug-in units are designed to be installed only on I-Line II IP54 busway.

Special Purpose Plug-In Devices

- Combination motor starter from NEMA Size 0–Size 2: fusible or circuit breaker primary disconnect
- Lighting contactor: 30 A, 60 A, 100 A, fusible disconnect
- Magnetic contactor from NEMA Size 0–Size 2: Fusible or circuit breaker primary disconnect
- Ground detector and neutralizer: used to provide means for indicating grounds on an ungrounded 3-phase system and to create a discharge path for static electricity. Consult the factory for dimensional details.
- Capacitor banks: 2.5 kVAR–30 kVAR auxiliary devices mount directly on busway prewired for use with separate fusible or circuit breaker disconnect. Consult the factory for dimensional details.
- Single-phase transformer plug-in devices from 1 kVA–10 kVA: auxiliary devices mount directly on busway prewired for use with separate fusible or circuit breaker disconnect. Consult the factory for dimensional details.
- Surge protection devices: 160 kA and 240 kA, circuit breaker disconnect

Table 70 - Special Purpose Plug-In Devices—Horsepower Rating

UL Horsepower Rating		Motor–3-Phase Horsepower Rating	
	Plug-In Unit Ampere Rating	Fusible Switch	
		Standard	Maximum
240 Vac	30	3	7.5
	60	7.5	15
	100	15	30
	200	25	60
	400	—	—
	600	—	—
480 Vac	30	5	15
	60	15	30
	100	25	30
	200	50	125
	400	—	—
	600	—	—
600 Vac	30	7.5	20
	60	15	50
	100	30	60
	200	60	150
	400	125	350
	600	250	500

Interrupting Capacity of Fusible Switch Plug-In Units

Table 71 - Fusible Switch Plug-In Units Capacity



Type PQ Fusible Switch Low Ampere Plug-In Connection

Catalog Number Prefix	Current Rating	Fuse Class (Includes 240 V, 480 V, and 600 V)			
		K or H	J ¹⁷	R	L
PQ	30	10,000	200,000	200,000	—
PQ	60	10,000	200,000	200,000	—
PQ	100	10,000	200,000	200,000	—
PQ & PS	200	10,000	200,000	200,000	—
PBQ	400	10,000	100,000	100,000	—
PBQA	400	—	100,000	100,000	—
PBQ	600	10,000	100,000	100,000	—
PTQ	800	—	—	—	100,000
PTQ	1000	—	—	—	100,000
PTQ	1200	—	—	—	100,000

Interrupting Capacity of Circuit Breaker Plug-In Units

Table 72 - Circuit Breaker Plug-In Units Capacity



Type PBLG Circuit Breaker High Ampere Plug-In Connection



Type PTMG Circuit Breaker High Ampere Bolt-On Connection

Catalog Number Prefix	Trip Range (Amperes)	Interrupting Rating—RMS Symmetrical Amperes		
		240 Vac	480 Vac	600 Vac
With Molded Case Circuit Breakers				
PHD	15–150	25000	18000	14000
PHG	15–150	65000	35000	18000
PHJ	15–150	100000	65000	25000
PHL	15–150	125000	100000	50000
PJD	175–250	25000	18000	14000
PJG	175–250	65000	35000	18000
PJJ	175–250	100000	65000	25000
PJL	175–250	125000	100000	50000
PBLG	250–600	65000	35000	18000
PBLJ	250–600	100000	65000	25000
PBLL	250–600	125000	100000	50000
PBLR	250–600	200000	200000	100000
PTMG	300–800	65000	35000	18000
PTMJ	300–800	100000	65000	25000
PTPG	250–1200	65000	35000	18000
PTPJ	250–1200	100000	65000	25000
PTRG	600–1600	65000	35000	18000
PTRJ	600–1600	100000	65000	25000
PTRL	600–1600	125000	100000	50000

17. Provisions for installing class J fuses are included in 600 V devices only.

Required Clearances for Plug-In Unit Mounting

NOTE:

1. Check these dimensions carefully before installing busway lengths.
2. For required working clearances, consult the National Electrical Code/ Canadian Electrical Code.

Figure 114 - Required Clearances for Plug-In Units

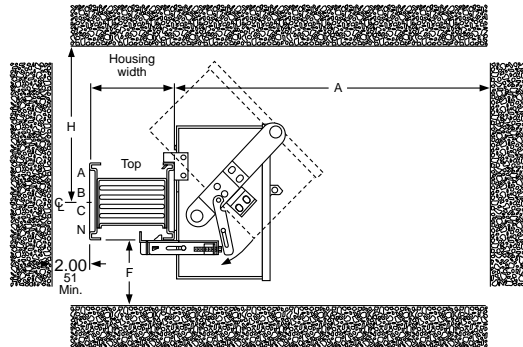


Table 73 - Required Clearances for Plug-In Unit Mounting

Circuit Breaker without Communications		A ¹⁸		F		H	
Cat. No. Prefix	Ampere Rating	IN	mm	IN	mm	IN	mm
PHD, PHG, PHJ, PHL	15–150	25.63	651	2.38	60	11.00	279
PJD, PJG, PJJ, PJL	175–250	25.63	651	2.38	60	11.00	279
PBLG, PBLJ, PBLL, PBLR	250–600	35.00	889	8.00	203	20.00	508
PTMG, PTMJ, PTPG, PTPJ	250–1200	37.00	940	10.25	260	13.75	349
PTRG, PTRJ, PTRL	600–1600	41.81	1062	12.59	320	13.84	352
Circuit Breaker with Communications		A ¹⁸		F		H	
Cat. No. Prefix	Ampere Rating	IN	mm	IN	mm	IN	mm
PHD, PHG, PHJ, PHL	15–150	30.40	772	11.38	289	11.00	279
PJD, PJG, PJJ, PJL	175–250	30.40	772	11.38	289	11.00	279
PBLG, PBLJ, PBLL, PBLR	250–600	38.58	980	17.00	432	20.00	506
Fusible Switch		A ¹⁸		F		H	
Cat. No. Prefix	Ampere Rating	IN	mm	IN	mm	IN	mm
PQ	30	15.22	387	7.98	203	8.00	203
	60	15.22	387	7.98	203	8.00	203
	100	15.22	387	11.98	304	8.00	203
	200	27.50	699	15.00	381	15.00	381
PS	200	27.50	699	9.00	229	12.00	305
PBQ	400	48.00	1219	7.25	184	18.00 ¹⁹	457
	600	48.00	1219	7.25	184	18.00 ¹⁹	457
PTQ	800	40.00	1016	10.25	260	13.60	345
	1000	40.00	1016	10.25	260	13.60	345
	1200	40.00	1016	10.25	260	13.60	345

18. Includes depth of plug-in unit and swing clearance for load side door.

19. Horizontal only. This dimension is 14 in. (356 mm) for vertical applications.

Vertical Mounting

Fusible Units

Fusible switch plug-in units (30–100 A) mount on either side of the vertical busway and comply with NEC Article 404.6 and CEC

Article 14.502 concerning gravity tending to close a switch blade. With unit mounted on one side of the busway, the operating handle is on top and when mounted on the opposite side, the handle is on the bottom. The 200 A fusible unit (“PS”) mounts only on the front of the busway. (“TOP” sticker on the busway is on the right.) The operating handle is on the right side of the mounted unit.

The 400–1200 A fusible units mount only on the front of the busway. The operating handle is on the cover.

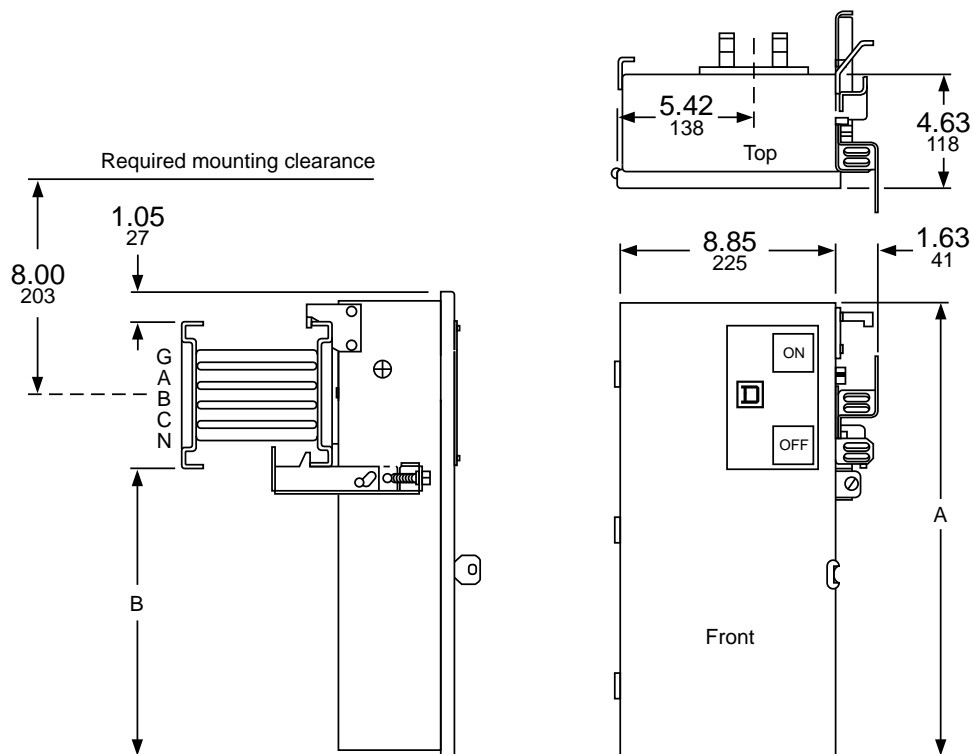
NOTE: Orientation of the busway is essential for proper mounting of plug-in units. The busway must be positioned so that the top marking is to the right and the neutral position is to the left.

Circuit Breaker Units

Circuit breaker plug-in units (15–250 A) can be installed on both sides of a riser. However, when the handle of the plug-in unit is operated vertically rather than rotationally or horizontally, the handle in the up position must be the ON position.

Fusible Switch Plug-In Units—30–100 A (Type “PQ”)

Figure 115 - Fusible Switch Plug-In Units — 30–100 A (Type “PQ”) Dimensions



Dimensions: in.
mm

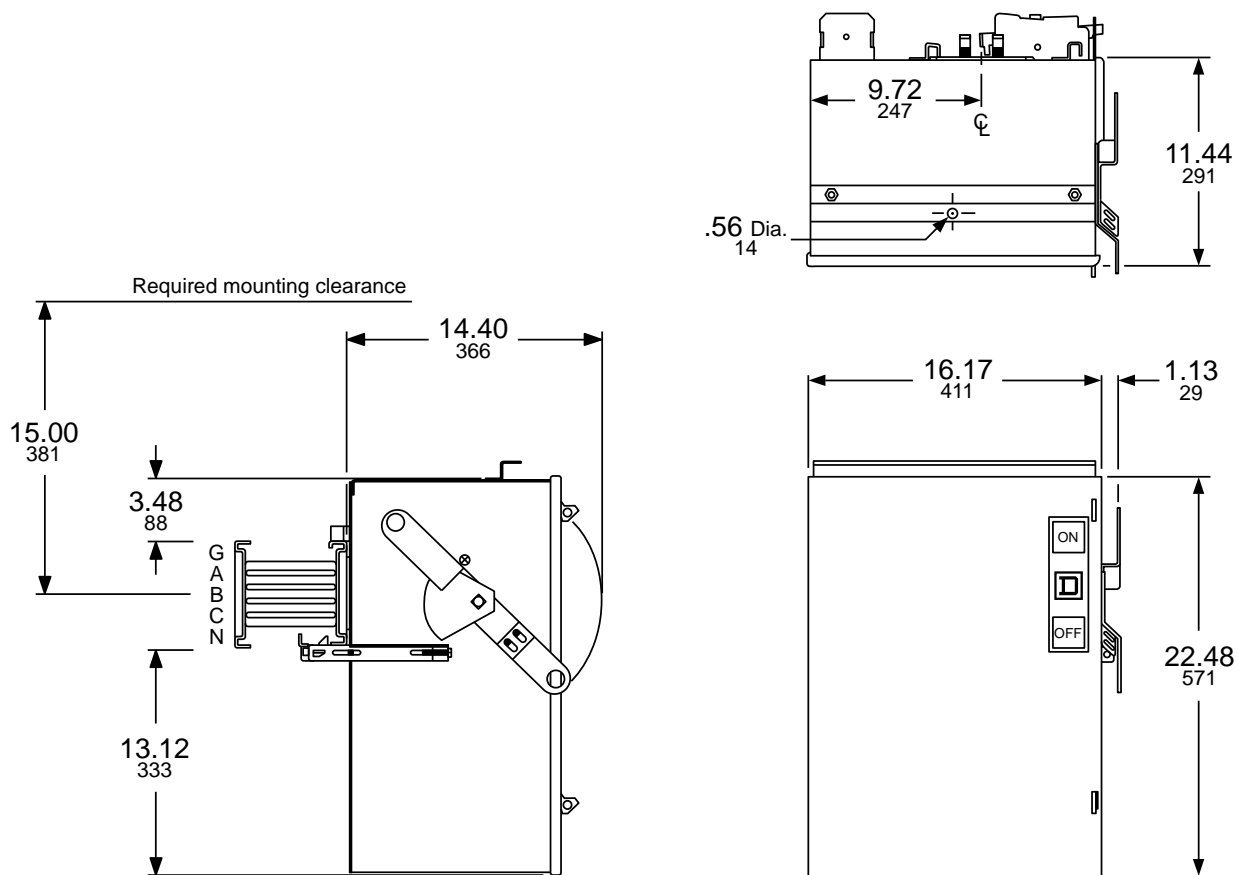
Table 74 - Fusible Switch Plug-In Units — 30–100 A (Type “PQ”) Specifications

Fusible Switch		Weight		Lugs Per Phase		Lugs Per Neutral		Ground Lugs		A		B	
Cat. No. Prefix	Ampere Rating	Lb	Kg	Qty.	Size	Qty.	Size	Qty.	Size	IN	mm	IN	mm
PQ	30	15	33	1	#12 – #2	1	#12 – #1/0	1	#10 – #2	14.95	379	7.98	203
	60	15	33	1	#12 – #2	1	#12 – #1/0	1	#10 – #2	14.95	379	7.98	203
	100	17	37.5	1	#12 – #1/0	1	#12 – #1/0	1	#10 – #2	18.97	480	11.98	304

NOTE: These units are available with the IP54 option. Contact Schneider Electric for IP54 enclosure dimensions.

Fusible Switch Plug-In Unit—200 A (Type “PQ”)

Figure 116 - Fusible Switch Plug-In Unit —200 A (Type “PQ”) Dimensions



Dimensions: in.
mm

Table 75 - Fusible Switch Plug-In Unit—200 A (Type “PQ”) Specifications

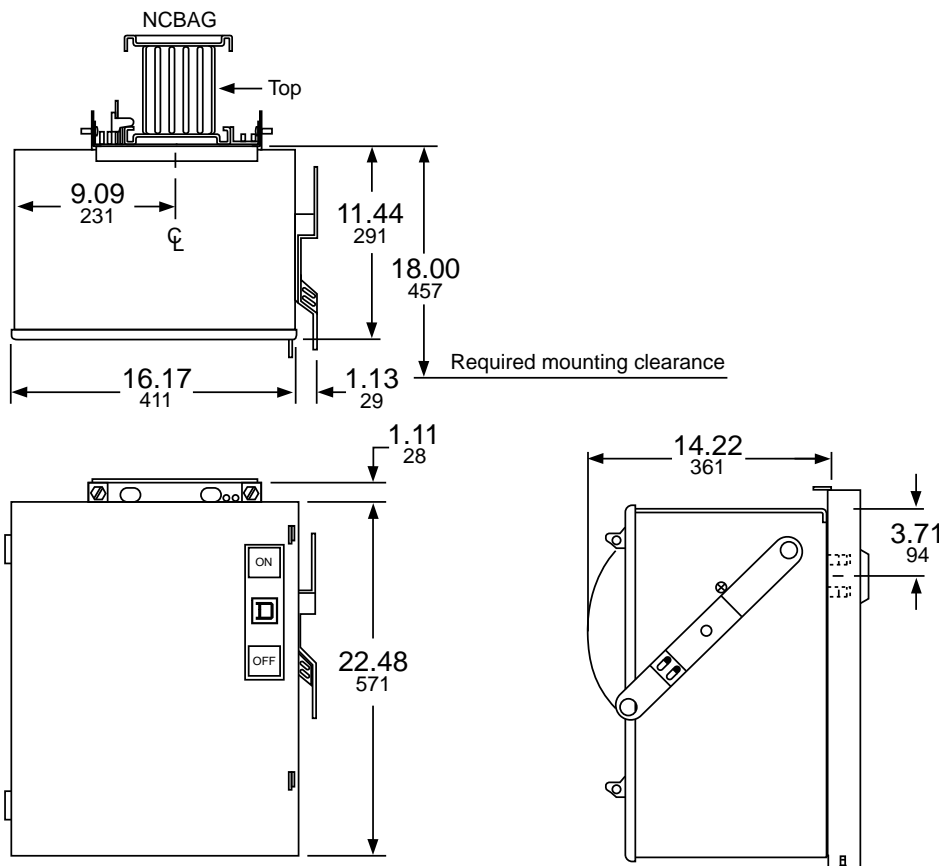
Fusible Switch		Weight (Approx.)		Lugs Per Phase and Neutral		Ground Lugs	
Cat. No. Prefix	Ampere Rating	Lb	Kg	Qty.	Size	Qty.	Size
PQ ²⁰	200	71	32	1	#6-300 kcmil	1	#10-2/0

These units are available with the IP54 option. Contact Schneider Electric for IP54 enclosure dimensions.

20. 200 A “PQ” units are for use primarily on horizontally mounted busway. Refer to Fusible Switch Plug-In Unit—200 A (Type “PS”) for use primarily on vertically mounted busway.

Fusible Switch Plug-In Unit—200 A (Type “PS”)

Figure 117 - Fusible Switch Plug-In Unit—200 A (Type “PS”) Dimensions



Dimensions: in.
mm

Table 76 - Fusible Switch Plug-In Unit—200 A (Type “PS”) Specifications

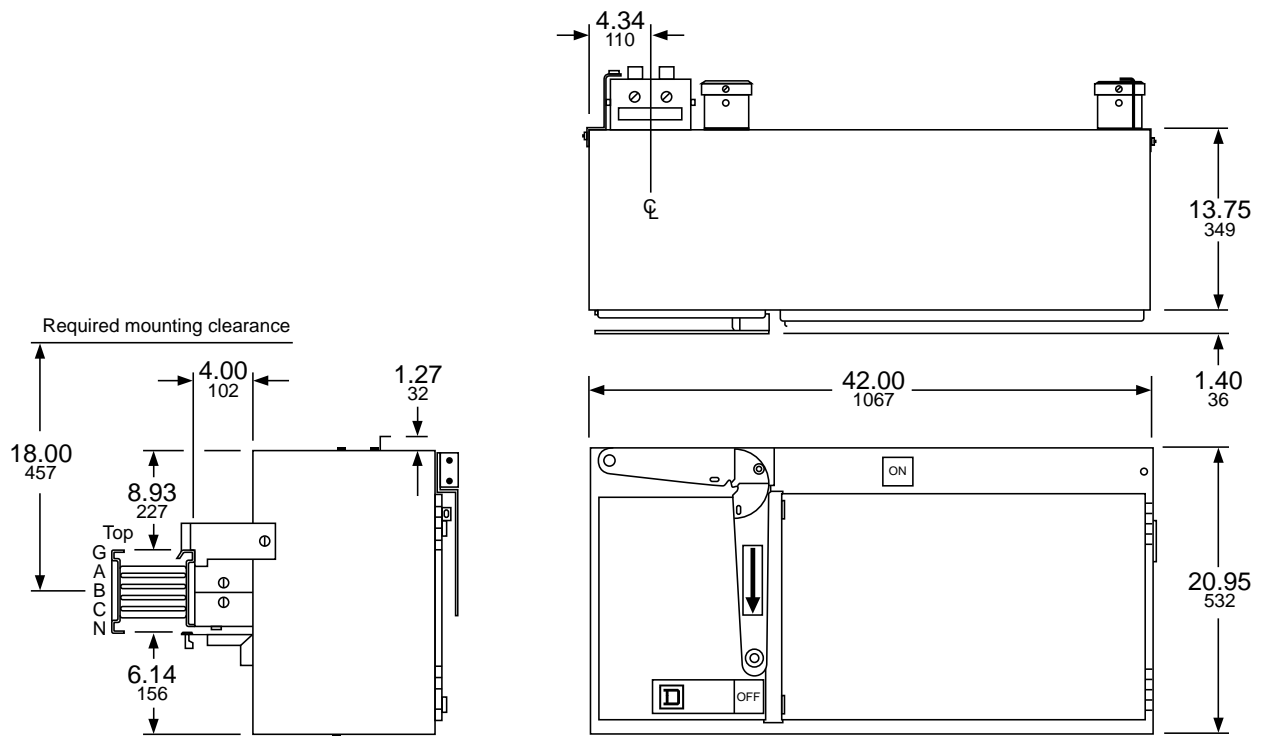
Fusible Switch		Weight (Approx.)		Lugs Per Phase and Neutral		Ground Lugs	
Cat. No. Prefix	Ampere Rating	Lb	Kg	Qty.	Size	Qty.	Size
PS ²¹	200	71	32	1	#6-300 kcmil	1	#10-2/0

These units are available with the IP54 option. Contact Schneider Electric for IP54 enclosure dimensions.

21. 200 A “PS” units for use on one side of vertically mounted busway only. To determine proper mounting side for this unit, position busway “TOP” marking to the right (same side as unit operating handle) and the neutral bus bar to the left as shown in top view of drawing. Refer to Fusible Switch Plug-In Unit—200 A (Type “PQ”) for use on horizontally mounted busway.

Fusible Switch Plug-In Unit—400 and 600 A (Type “PBQ”)

Figure 118 - Fusible Switch Plug-In Unit—400 and 600 A (Type “PBQ”) Dimensions



Dimensions: in.
mm

Table 77 - Fusible Switch Plug-In Unit—400 and 600 A (Type “PBQ”) Specifications

Fusible Switch		Weight (Approx.)		Lugs Per Phase and Neutral		Ground Lugs	
Cat. No. Prefix	Ampere Rating	Lb	Kg	Qty.	Size	Qty.	Size
PBQ ²²	400 and 600	215	98	2	3/0-600 kcmil	1	#6-300 kcmil

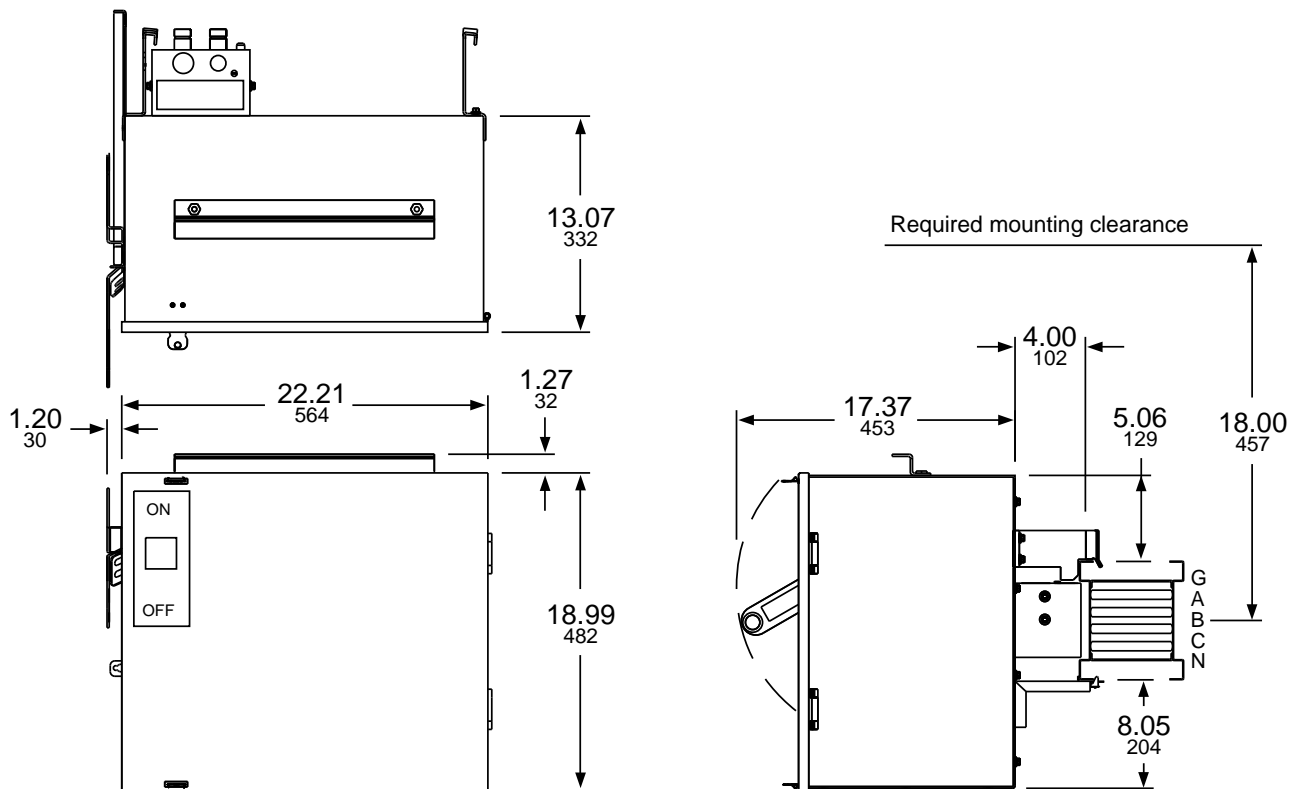
NOTE: For vertical riser applications for I-Line II busway, order auxiliary kit catalog number PBQ-4060-RMK. This kit is not suitable for installation on I-Line busway from 225–600 A in a vertical riser mounting.

These units are available with the IP54 option. Contact Schneider Electric for IP54 enclosure dimensions.

22. 400 A and 600 A “PBQ” units plug into one opening, but require space equal to two plug-in openings.

Fusible Switch Plug-In Unit—400 A (Type “PBQA”)

Figure 119 - Fusible Switch Plug-In Unit—400 A (Type “PBQA”) Dimensions



Dimensions: in.
mm

Table 78 - Fusible Switch Plug-In Unit—400 A (Type “PBQA”) Specifications

Fusible Switch		Weight (Approx.)		Lugs Per Phase and Neutral		Ground Lugs	
Cat. No. Prefix	Ampere Rating	Lb	Kg	Qty.	Size	Qty.	Size
PBQA ²³	400	118	53.5	1	#1-600 kcmil	1	#6-300

Lugs are mechanical type.

23. PBQA units for use on horizontally mounted busway only.

Fusible Switch Bolt-On Units—800–1200 A (Type “PTQ”)

NOTE: Bolt-on units can be used only on plug-in busway (800–4000 A—except 800 A copper ILINE II) with the same number of poles (e.g., do not use 3-pole unit on 3Ø4W busway, or 3Ø4W unit on 3-pole busway).

Figure 120 - Fusible Switch Bolt-On Units (Horizontally Mounted)

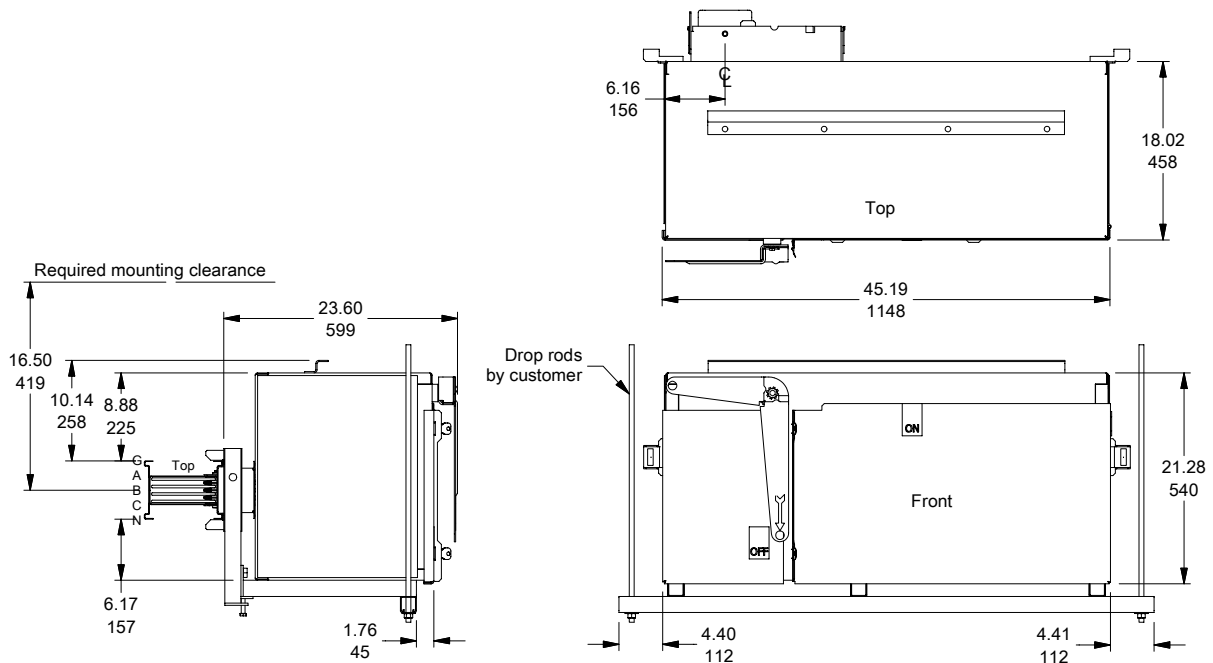
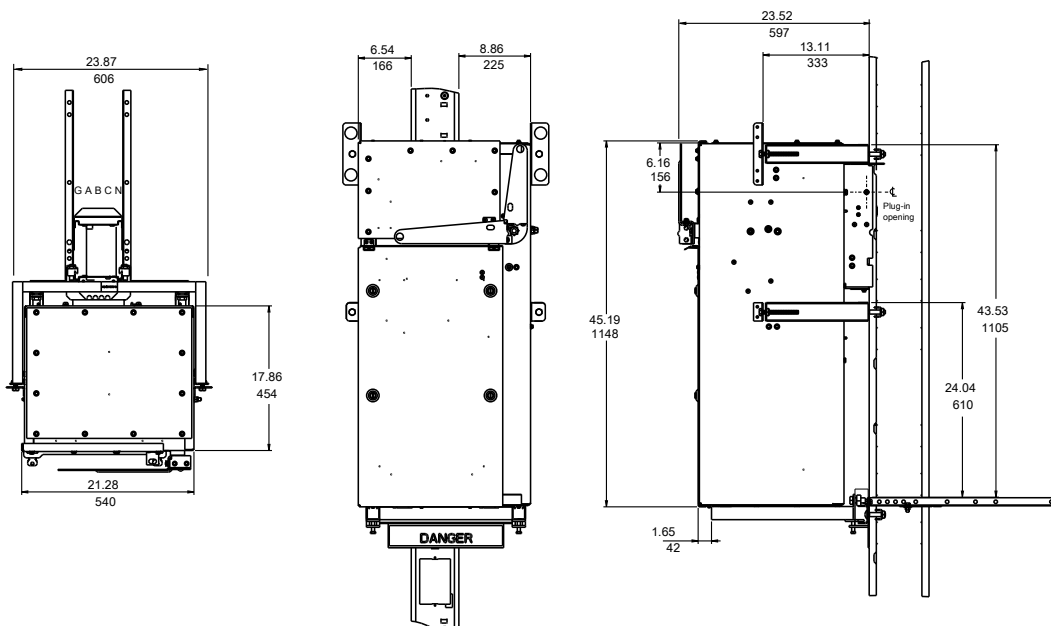


Figure 121 - Fusible Switch Bolt-On Units (Vertically Mounted)



Dimensions: in.
mm

Table 79 - Fusible Switch Bolt-On Units—800–1200 A (Type “PTQ”) Specifications

Fusible Switch		Weight		Lugs Per Phase and Neutral		Ground Lugs	
Cat. No. Prefix	Ampere Rating	Lb	Kg	Qty.	Size	Qty.	Size
PTQ ²⁴	800	280	127	3	3/0-500	4	#6-300
	1000	310	140	4		4	
	1200	310	140	4		4	

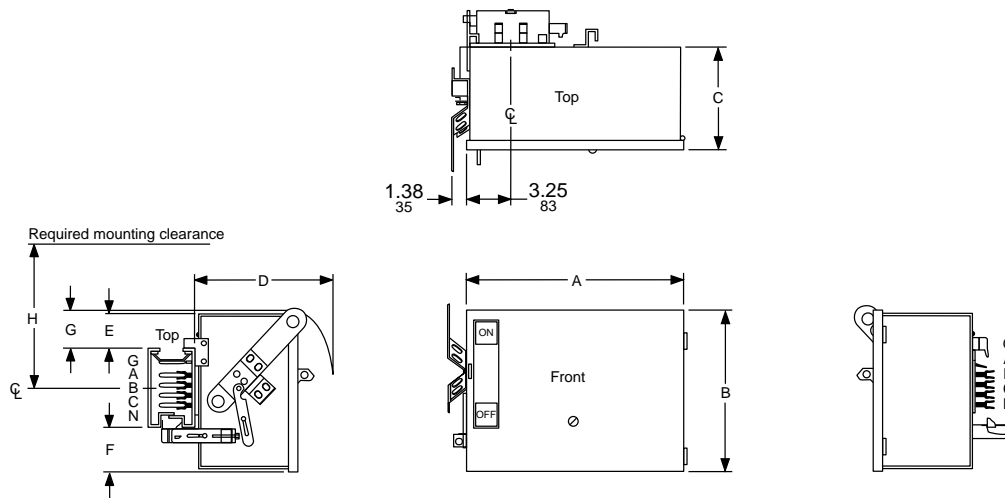
NOTE: This unit requires a special hanger that is mounting orientation specific. Add “H” on the end of the catalog number for units that will be mounted horizontally, and “V” for units that will be mounted vertically. These mounting frames are NOT interchangeable.

These units are available with the IP54 option, using the same enclosure dimensions as shown above.

24. “PTQ” units plug into one opening, but require space equal to two plug-in openings.

Circuit Breaker Plug-In Units—15–250 A

Figure 122 - Circuit Breaker Plug-In Units—15–250 A Dimensions



Dimensions: in.
mm

Table 80 - Circuit Breaker Plug-In Units—15–250 A Dimensions

Circuit Breaker		A		B		C		D	
Cat No. Prefix	Trip Range (Amperes)	IN	mm	IN	mm	IN	mm	IN	mm
PHD, PHG, PHJ, PHL	15–150	20.30	516	8.50	216	8.00	203	9.12	232
PJD, PJG, PJJ, PJJ	175–250	20.30	516	8.50	216	8.00	203	9.12	232

Table 81 - Circuit Breaker Plug-In Units—15–250 A Dimensions (continued)

Circuit Breaker		E		F		G		H	
Cat No. Prefix	Trip Range (Amperes)	IN	mm	IN	mm	IN	mm	IN	mm
PHD, PHG, PHJ, PHL	15–150	1.00	25	1.38	35	2.00	51	11.00	279
PJD, PJG, PJJ, PJJ	175–250	1.00	25	1.38	35	2.00	51	11.00	279

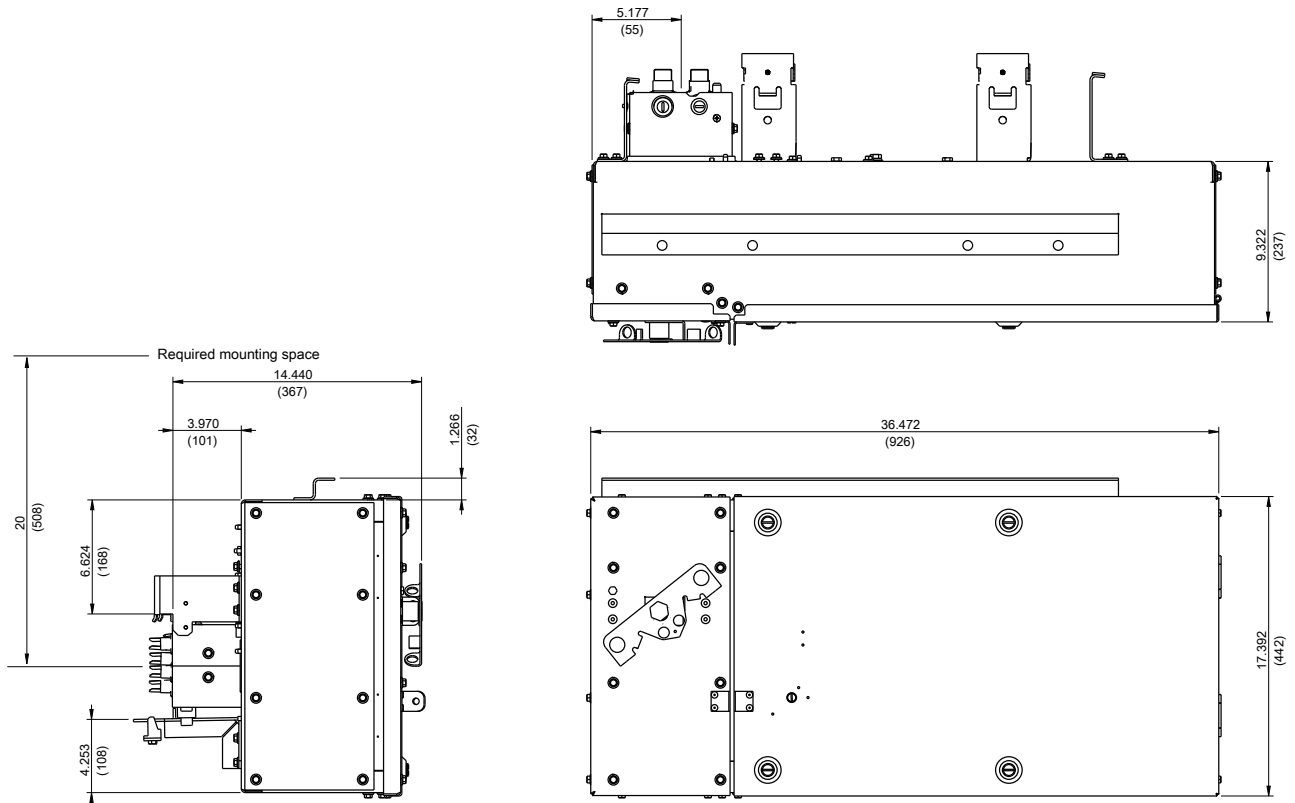
Table 82 - Circuit Breaker Plug-In Units—15–250 A Specifications

Circuit Breaker		Weight		Lugs Per Phase and Neutral		Ground Lugs	
Cat No. Prefix	Trip Range (Amperes)	Lb	Kg	Qty.	Size	Qty.	Size
PHD, PHG, PHJ, PHL	15–30	32	15	1	#14 - #10	1	#6 - #2/0
PHD, PHG, PHJ, PHL	35–150	32	15	1	#8 - #3/0	1	#6 - #2/0
PJD, PJG, PJJ, PJJ	175–250	32	15	1	#3/0 - 350 kcmil	1	#6 - #2/0

NOTE: H and J units are available with the IP54 option. Contact Schneider Electric for IP54 enclosure dimensions.

Circuit Breaker Plug-In Units—250–600 A

Figure 123 - Circuit Breaker Plug-In Units—250–600 A Dimensions



Dimensions: in.
mm

Table 83 - Circuit Breaker Plug-In Units—250–600 A Specifications

Circuit Breaker		Weight (Approx.)		Lugs Per Phase		Ground Lugs		Lugs on Neutral	
Cat. No. Prefix	Trip Range (Amperes)	Lb	Kg	Qty.	Size	Qty.	Size	Qty.	Size
PBLG, PBLJ, PBLI, PBLR	250	121	55	1	#2 – 600 kcmil	1	#6 – 300 kcmil	2	1/0 – 600 kcmil
	400–600			2	2/0 – 500 kcmil	1	#6 – 300 kcmil	2	1/0 – 600 kcmil

NOTE: These units plug into one opening, but require space equal to two plug-in openings. They are available with the IP54 option and have the same enclosure dimensions as shown above. For vertical riser applications for I-Line II busway, order auxiliary kit catalog number PBQ-4060-RMK. This kit is not suitable for installation on I-Line busway from 225–600 A in a vertical riser mounting.

Circuit Breaker Plug-In Units with MicroLogic™ Electronic Trip Units and Communication

Communication hardware packages are available on PowerPacT™ H-, J-, and L-Frame Plug-in Units with MicroLogic electronic trip units. These communication hardware packages will provide access to monitor circuit breaker data from these plug-in units. Modbus and Ethernet ports are available on the enclosure for integration into any power monitoring and control system. Communication packages are housed in a separate enclosure mounted adjacent to the plug-in units.

NOTE: Communications box is not available as standalone.

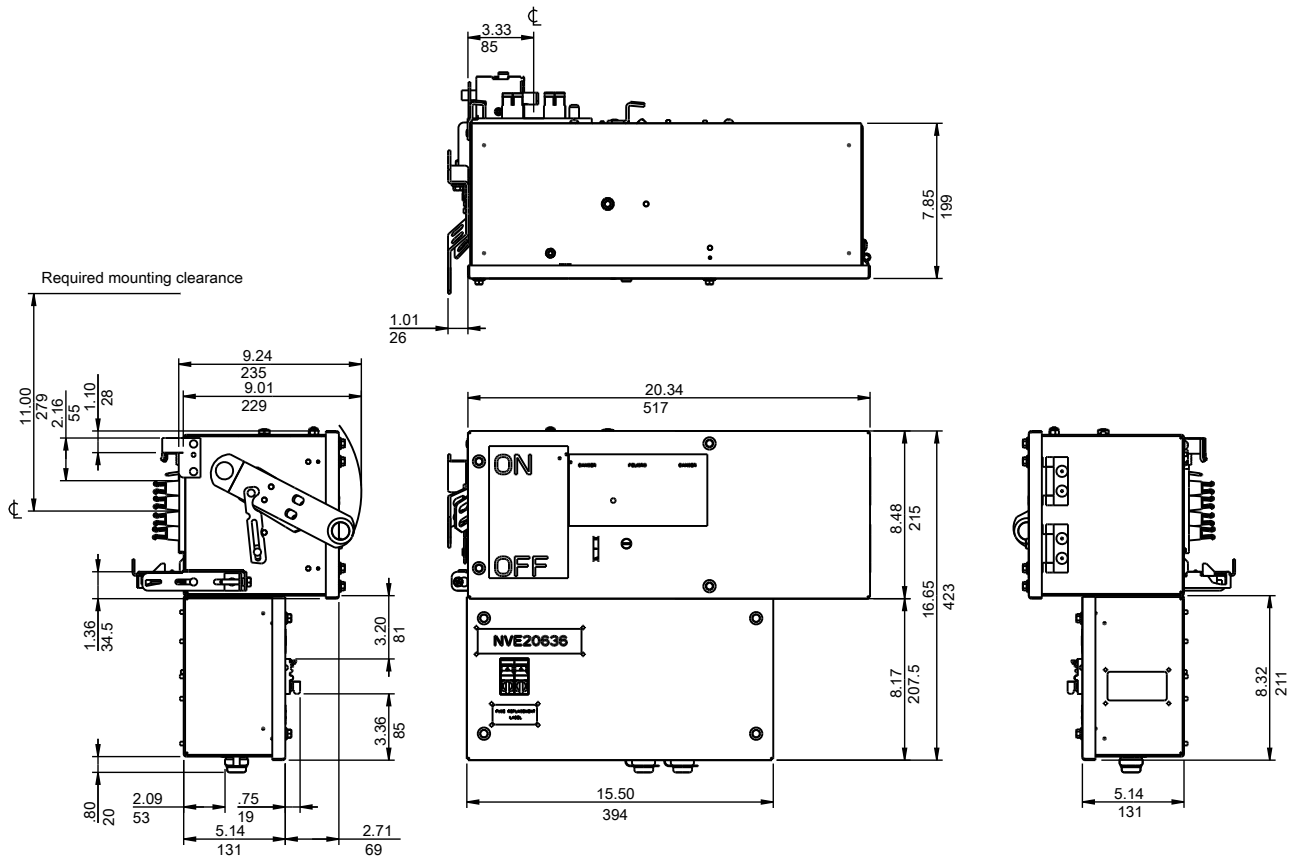
Add the appropriate communication system voltage suffix to the end of the associated H-, J-, or L-Frame breaker with MicroLogic electronic trip units, for example: PHD36060GNU31X**IFE4**. For the plug-in unit catalog numbering system, see Plug-In Catalog Numbering System.

Table 84 - Communication Suffix

System Voltage	Communication	Communication Type Suffix	System Voltage Suffix
Up to 480 Y/277 V	Ethernet	IFE	4
	Modbus	IFM	
480 V only	Ethernet	IFE	5
	Modbus	IFM	
600 Y/347 V, 600 V	Ethernet	IFE	6
	Modbus	IFM	

H- and J-Frame Circuit Breaker Plug-In Units with Communications Box

Figure 124 - H- and J-Frame Plug-In Unit with Communications Box Dimensions



Dimensions: in. mm

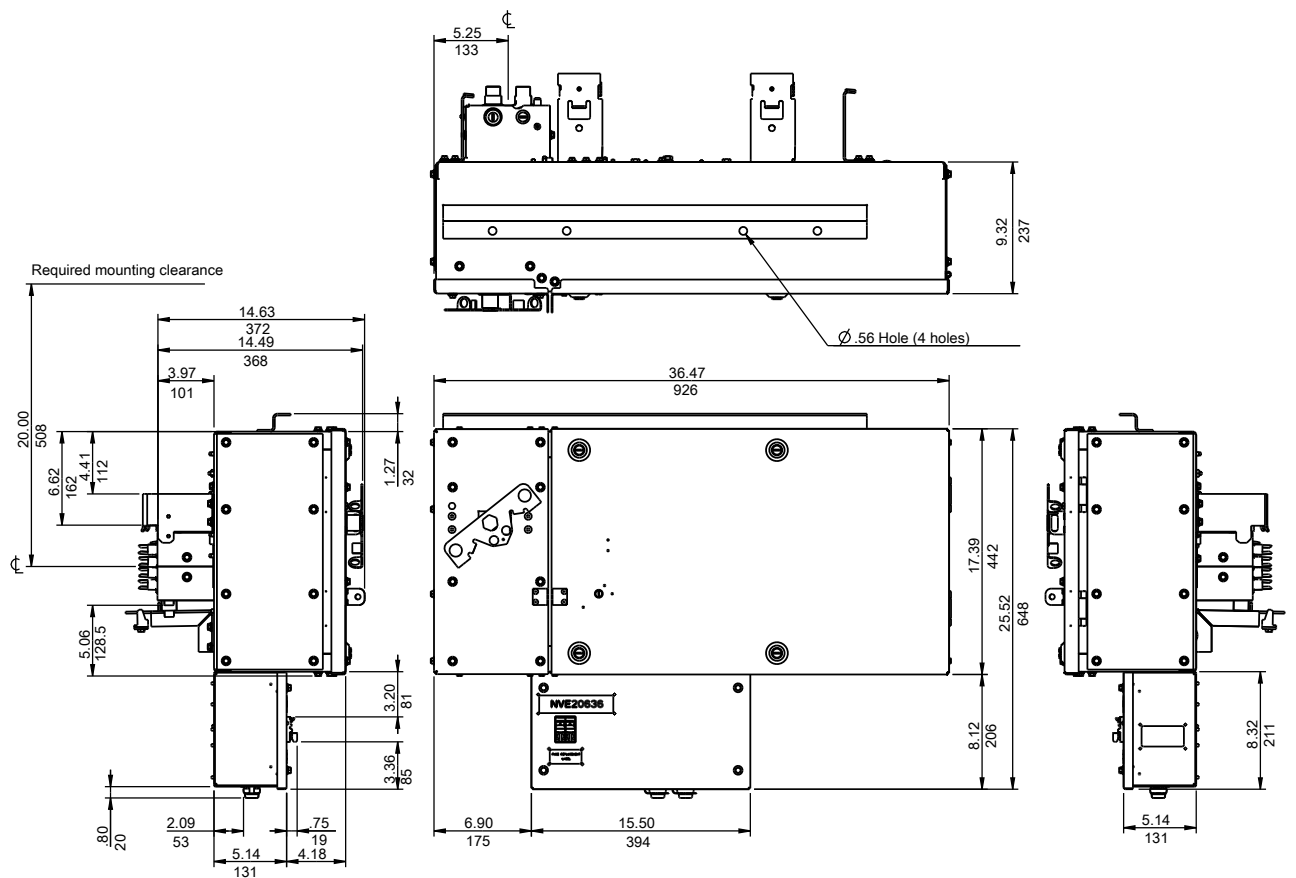
Table 85 - H-and J-Frame Circuit Breaker Plug-In Units with Communications—60–250 A

Cat. No. Prefix	Catalog No. Suffix ²⁵	Trip Range (Amperes)	Weight (Approx.)	
			Lb	Kg
PHD, PHG, PHJ, PHL	IFM4 / IFE4	60–150	44	20
PHD, PHG, PHJ, PHL	IFM5 / IFM6 / IFE5 / IFE6	60–150	46	21
PJD, PJG, PJJ, PJJ	IFM4 / IFE4	250	44	20
PJD, PJG, PJJ, PJJ	IFM5 / IFM6 / IFE5 / IFE6	250	46	21

25. See Communication Suffix.

L-Frame Circuit Breaker Plug-In Units with Communications Box

Figure 125 - L-Frame Plug-In Unit with Communications Box Dimensions



Dimensions: in.
mm

Table 86 - L-Frame Circuit Breaker Plug-In Units with Communications—250–600 A

Cat. No. Prefix	Catalog No. Suffix ²⁶	Trip Range (Amperes)	Weight (Approx.)	
			Lb	Kg
PBLG, PBLJ, PBLL, PBLR	IFM4 / IFE4	250–600	135	61
PBLG, PBLJ, PBLL, PBLR	IFM5 / IFM6 / IFE5 / IFE6	250–600	138	63

26. See Communication Suffix.

Circuit Breaker Plug-In Units with Energy Metering

Energy metering packages are available on PowerPacT H- and J-Frame Plug-In Units. These packages enable the use of PowerLogic™ HDPM6000 and HDPM6000B metering units to easily measure and monitor energy use within a busway system. One HDPM6000 head unit can monitor up to 24 HDPM6000B meters. Metering capabilities include voltage waveform capture, data logging, and Ethernet communication.

The result is a modular and scalable system that adds value in the following applications:

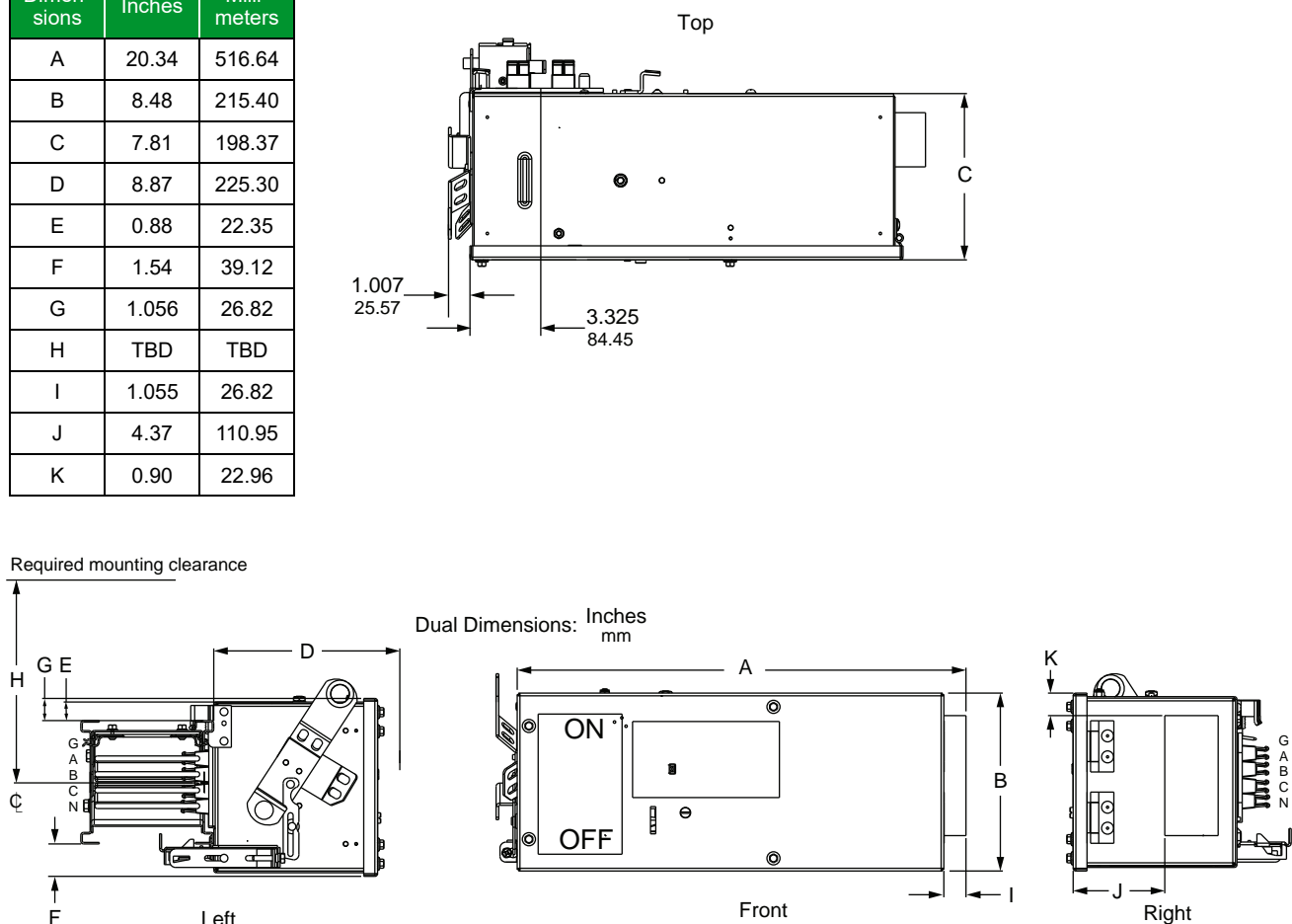
- Energy cost allocation
- Energy monitoring
- Power quality monitoring per circuit (THD + waveform capture)
- Energy billing
- Compliance

Table 87 - H- and J-Frame Plug-In Units with Energy Metering

System Voltage	Unit Type	Compatible Circuit Breaker Plug-In Units	Catalog No. Suffix
480 V only	HDPM6000 Head Unit	Not applicable (stand-alone unit)	PQM5
	HDPM6000B Bus Tap Meter	H- and J-Frame PowerPacT Circuit Breakers	ESB
	HDPM6000B Bus Tap Meter with CTs Included	H- and J-Frame PowerPacT Circuit Breakers	ESBA

Dimensions	Inches	Milli-meters
A	20.34	516.64
B	8.48	215.40
C	7.81	198.37
D	8.87	225.30
E	0.88	22.35
F	1.54	39.12
G	1.056	26.82
H	TBD	TBD
I	1.055	26.82
J	4.37	110.95
K	0.90	22.96

Figure 126 - H- and J-Frame Plug-In Unit with Energy Metering Dimensions

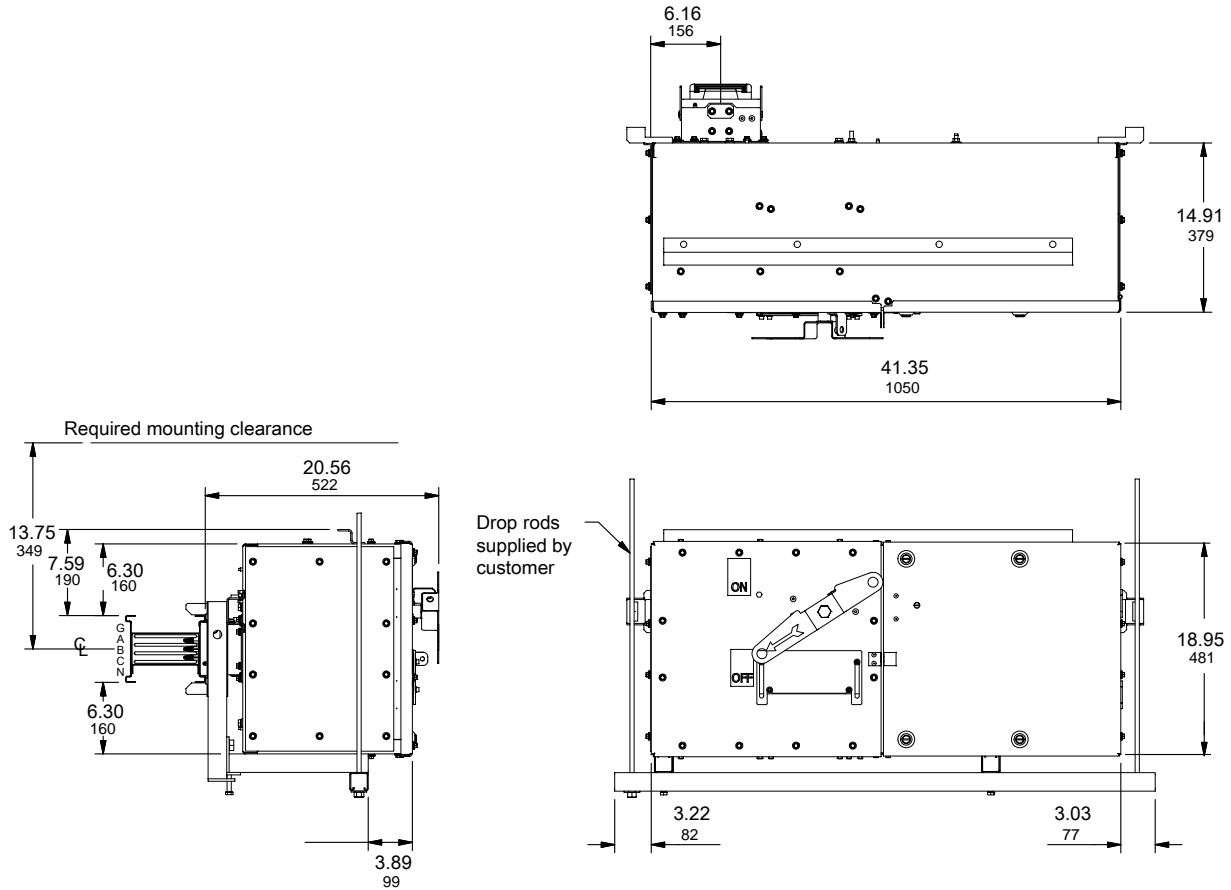


NOTE: For head unit dimensions, see H- and J-Frame Circuit Breaker Plug-In Units with Communications—60–250 A.

Circuit Breaker Bolt-On Units—250–1200 A

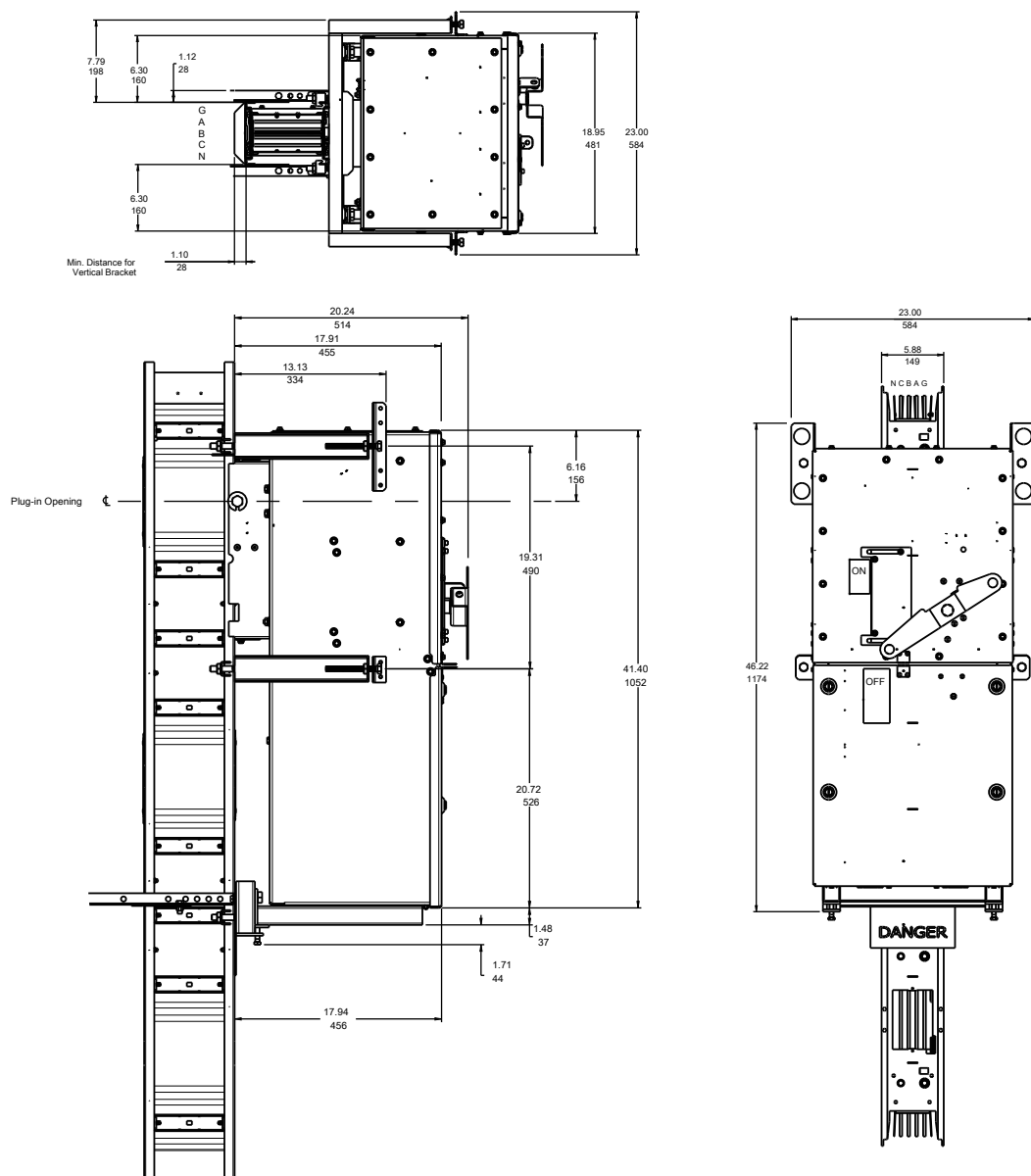
NOTE: Bolt-on units to be used only on plug-in busway with the same number of poles. Not for use on 800 A copper busway.

Figure 127 - Circuit Breaker Bolt-On Units (Horizontally Mounted)—250–1200 A Dimensions



Dimensions: in.
mm

Figure 128 - Circuit Breaker Bolt-On Units (Horizontally Mounted)—250–1200 A Circuit Breaker Bolt-On Units (Vertically Mounted)—250–1200 A



Dimensions: in. mm

Table 88 - Circuit Breaker Bolt-On Units—250–1200 A Specifications

Circuit Breaker		Weight (Approx.)		Lugs Per Phase and Neutral		Ground Lugs	
Cat. No. Prefix	Trip Range (Amperes)	Lb	Kg	Qty.	Size	Qty.	Size
PTMG, PTMJ	300-800	284	92	3	3/0–500 kcmil	4	6–300 kcmil
PTPG, PTPJ	250-800	284	92	3			
	1000-1200	304	101	4			

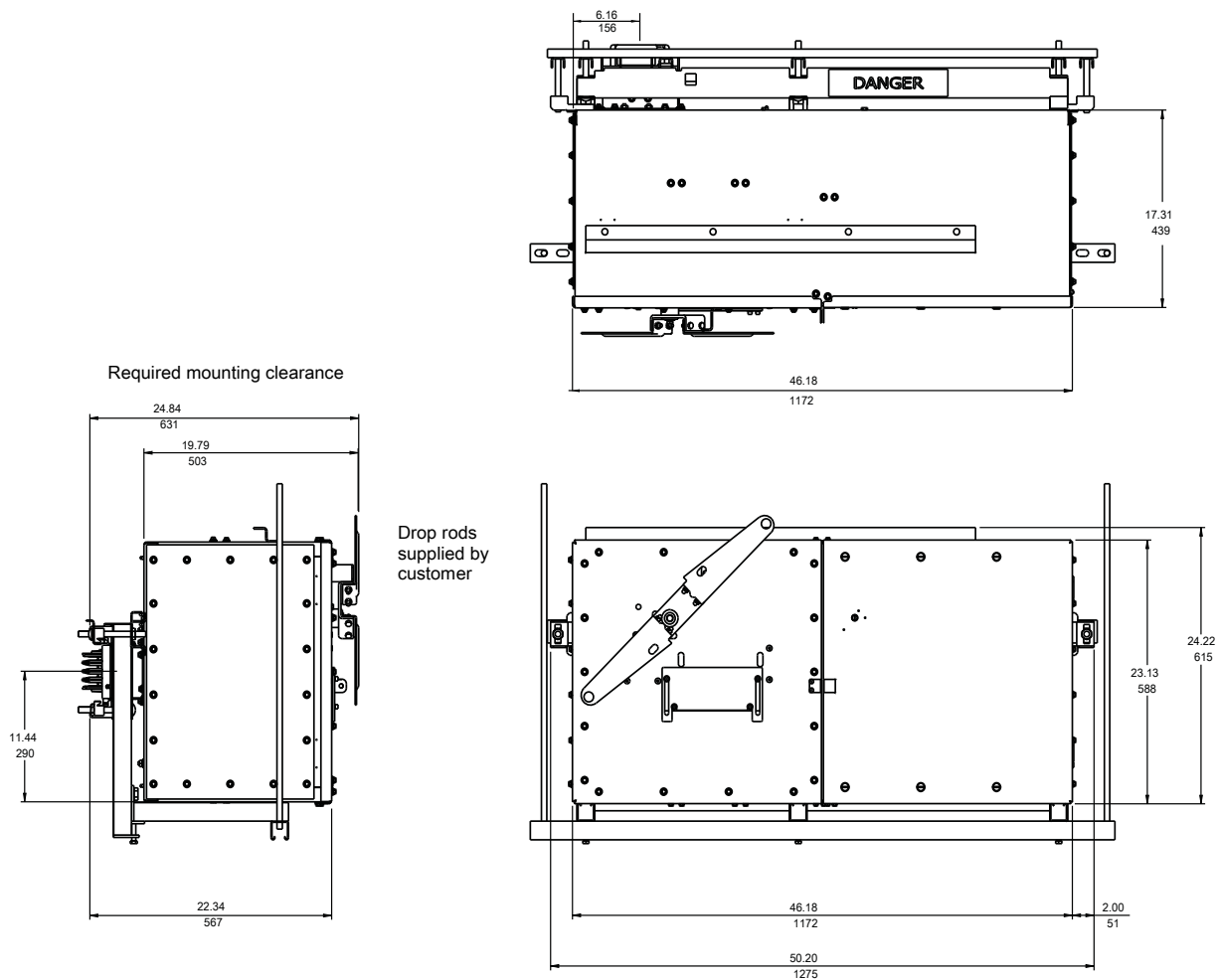
NOTE: These units plug into one opening, but require space equal to two plug-in openings.

NOTE: These units are available with the IP54 option and will be the same enclosure dimensions as shown above.

Circuit Breaker Bolt-On Units—600–1600 A

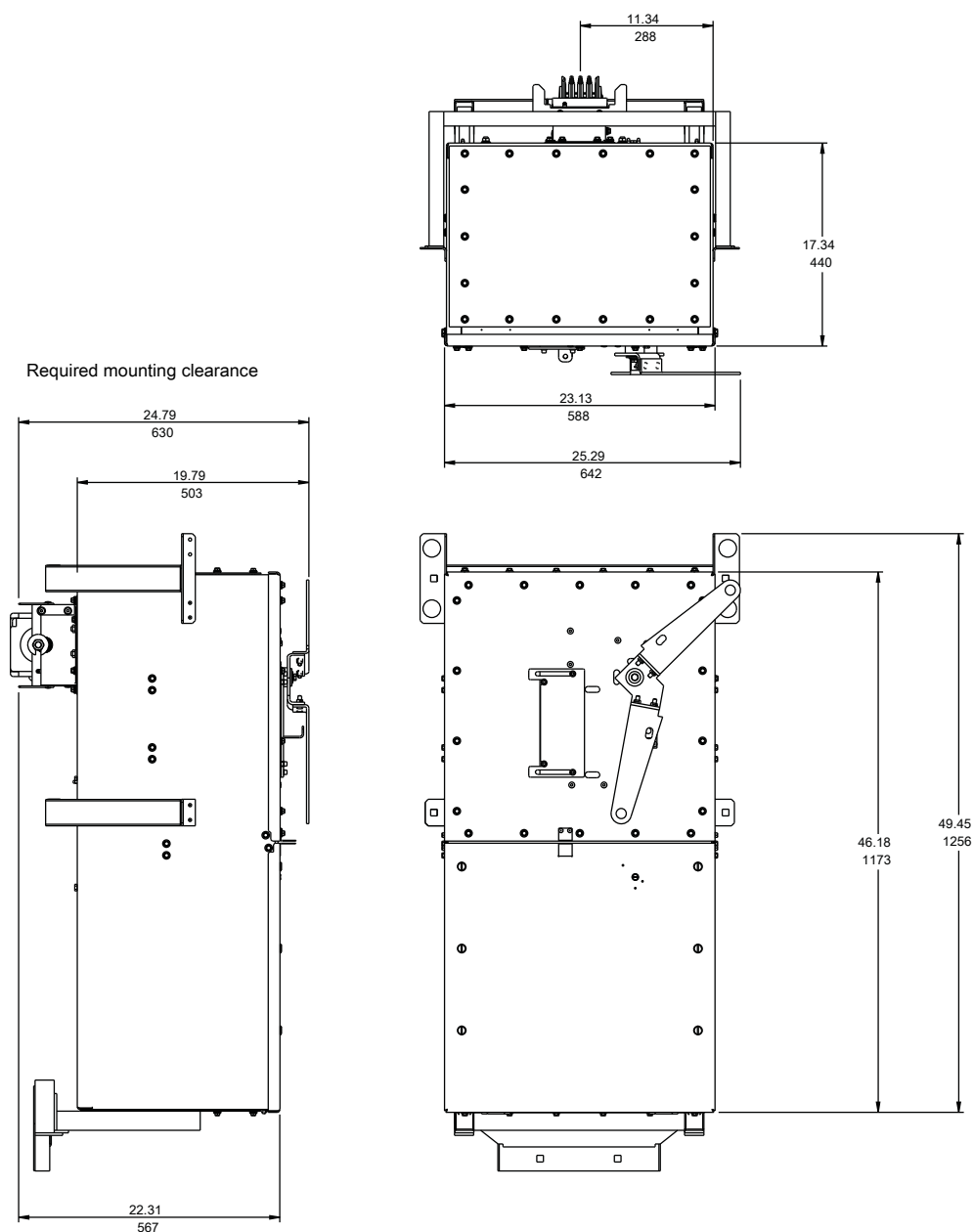
NOTE: Bolt-on units to be used only on plug-in busway (800–4000 A—except 800 A copper I-Line II) with the same number of poles (for example, do not use 3-pole unit on 3Ø4W busway).

Figure 129 - Circuit Breaker Bolt-On Units (Horizontally Mounted)—600–1600 A Dimensions



Dimensions: in.
mm

Figure 130 - Circuit Breaker Bolt-On Units (Vertically Mounted)—600–1600 A



Dimensions: in. mm

Table 89 - Circuit Breaker Bolt-On Units—600–1600 A Specifications

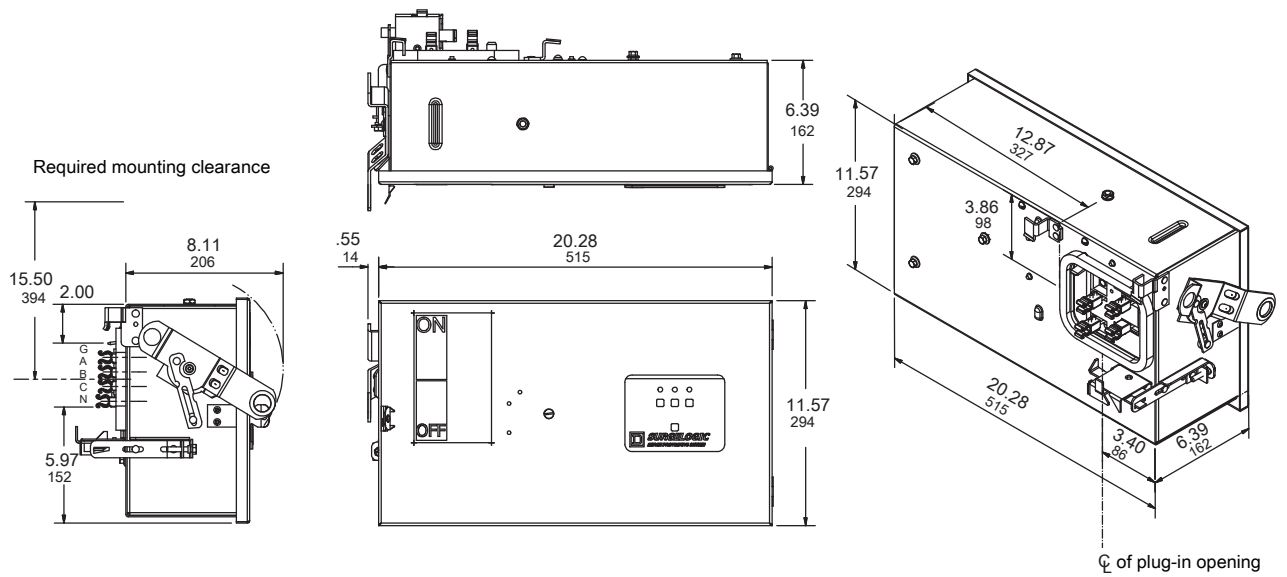
Circuit Breaker		Weight (Approx.)		Lugs Per Phase and Neutral		Ground Lugs	
Cat. No. Prefix	Trip Range (Amperes)	Lb	Kg	Qty.	Size	Qty.	Size
PTRG, PTRJ, PTRL	600–1600	315	143	6	#1–600 kcmil	6	#6–300 kcmil

NOTE: These units plug into one opening, but require space equal to two plug-in openings.

NOTE: These units are available with the IP54 option. Contact Schneider Electric for IP54 enclosure dimensions.

Surge Protective Devices

Figure 131 - Surge Protective Devices-Dimensions, Required Mounting Clearance



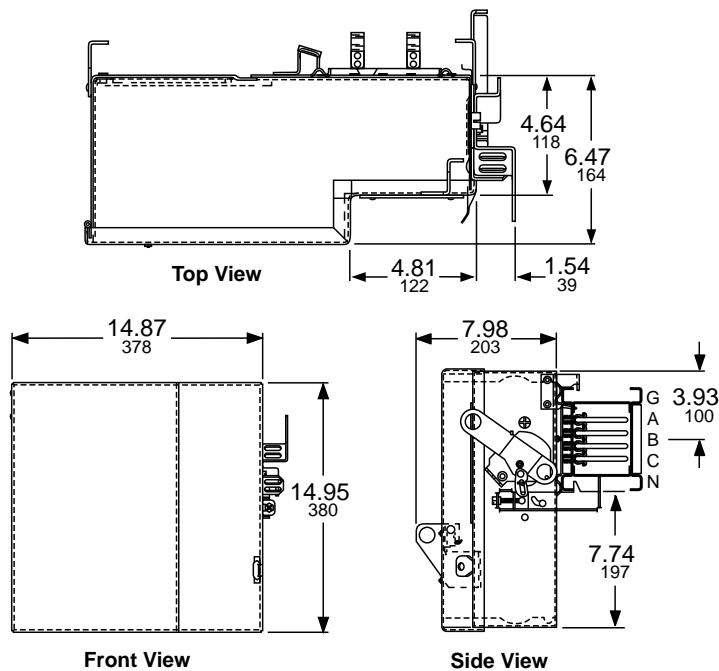
Dimensions: in.
mm

Voltage Rating	Catalog Number	Weight	
		Lb	Kg
160,000 Amperes Per Phase			
208Y/120 Vac	PIU2IMA16	34	16
240Y/120 Vac	PIU3IMA16	34	16
480Y/277 Vac	PIU4IMA16	34	16
600Y/347 Vac	PIU8IMA16	34	16
240,000 Amperes Per Phase			
208Y/120 Vac	PIU2IMA24	34	16
240Y/120 Vac	PIU3IMA24	34	16
480Y/277 Vac	PIU4IMA24	34	16
600Y/347 Vac	PIU8IMA24	34	16

NOTE: These devices are available with the IP54 option.

Combination Fusible Switch and Starter / Lighting Contactor / Contactor

Figure 132 - Fusible Switch Starters / Lighting Contactors—Ratings and Dimensions



Dimensions: in.
mm

Table 90 - Fusible Switch Starters / Lighting Contactors—Ratings and Dimensions

Fusible Switch Starter and Contactor			A		F		H	
Cat. No. Prefix	Starter or Contactor Size	Switch Rating	IN	mm	IN	mm	IN	mm
PSS, PSC	0 – 1	30-60 A	27.40	696	2.13	54	10.00	254
	2	60 A	29.58	751	3.38	86	10.00	254
	2	100 A	33.42	849	9.38	238	12.00	305

Table 91 - Fusible Switch Lighting Contactor

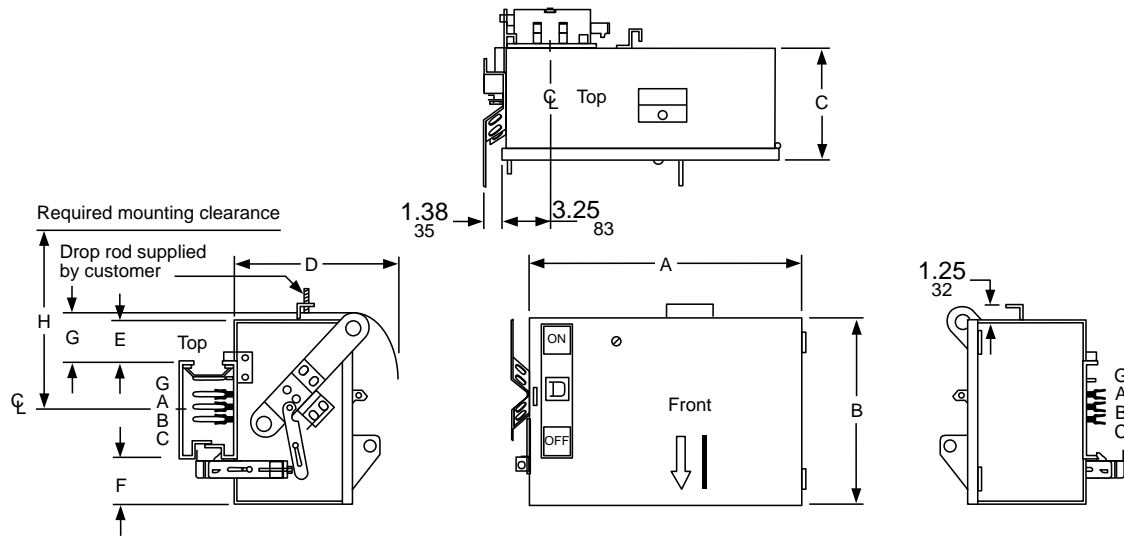
Fusible Switch Lighting Contactor		A		F		H	
Cat. No. Prefix	Contactor and Switch Rating	IN	mm	IN	mm	IN	mm
PSL	30 A ²⁷	29.58	751	3.38	86	10.00	254
	30 ²⁸ – 60 – 100 A	33.42	849	9.38	238	12.00	305

27. 30 A unit with electrically held contactor.

28. 30 A unit with mechanically held contactor.

Combination Circuit Breaker and Starter—Contactor

Figure 133 - Combination Circuit Breaker and Starter—Ratings and Dimensions



Dimensions: in.
mm

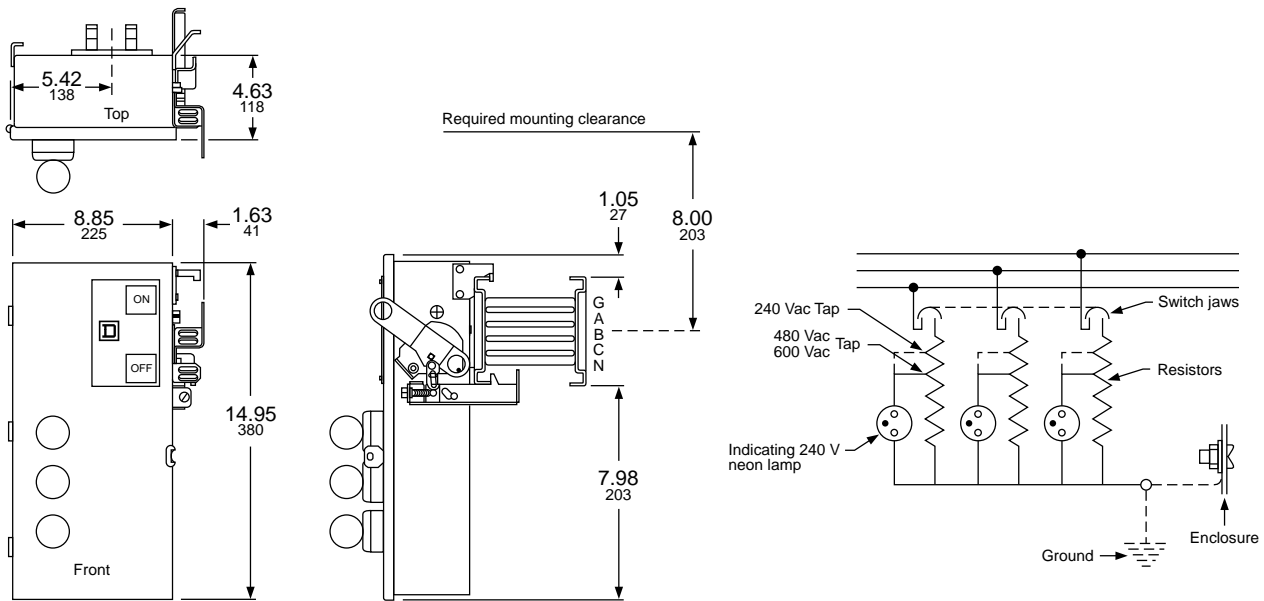
Table 92 - Combination Circuit Breaker and Starter—Contactor Specifications

Circuit Breaker and Contactor			A		B		C		D	
Cat. No. Prefix	Starter or Contactor Size	Breaker Rating	IN	mm	IN	mm	IN	mm	IN	mm
PBS, PBC	0, 1, 2	15-90 A	20.42	519	9.76	248	6.19	157	8.50	216

Circuit Breaker and Contactor			E		F		G		H	
Cat. No. Prefix	Starter or Contactor Size	Breaker Rating	IN	mm	IN	mm	IN	mm	IN	mm
PBS, PBC	0, 1, 2	15-90 A	1.00	25	2.75	70	1.63	41	10.00	254

Ground Detector and Neutralizer

Figure 134 - Ground Detector and Neutralizer Dimensions



Dimensions: in.
mm

NOTE: The ground detector and neutralizer plug-in unit consists of a disconnect, a high resistance connection from each phase-to-ground, and neon indicating lights wired in parallel with the resistors. The resistors provide a discharge path for high transient voltages that can be impressed temporarily on the busway system.

The neon indicating lights provide visual indication of ground connections in a 3 ϕ 3W ungrounded system. Operation of the lights is such that under normal conditions all three lights glow dimly under half voltage. If one phase goes to ground, the indicating light associated with that phase goes out while the other two assume full brilliance under full voltage conditions.

Table 93 - Ground Detector and Neutralizer—Catalog Numbers and Approximate Weights

Voltage Rating	Catalog Number	Weight	
		Lb	Kg
240 Vac	PGD-3200G	16	35
600 Vac	PGD-3600G	16	35

Powerbus Plug-in Busway

Product Descriptions

Powerbus™ plug-in busway, manufactured by Schneider Electric, was designed specifically to address the low power distribution needs of industrial and commercial customers. Schneider Electric has applied over 50 years of experience in the busway business to develop a reliable low power distribution system that will reduce installation time and cost, as well as provide the flexibility to make future modifications quickly and easily to processes and facilities.

Powerbus Busway System

General Information

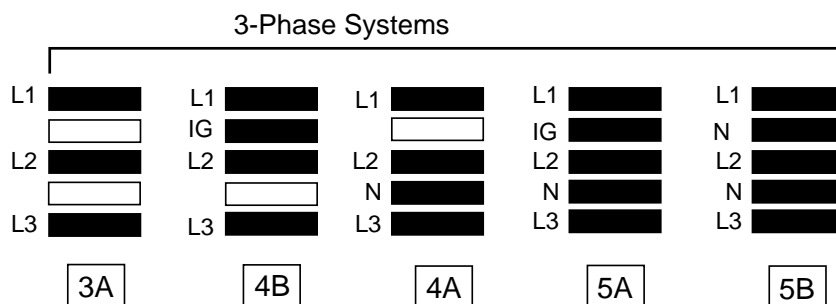
Powerbus construction consists of a lightweight electrical grade, all-aluminum housing with silver-plated copper conductor bars for maximum electrical efficiency. The total product offering includes straight sections, fittings, accessories, and plug-in units for a total installation. The busway is available in 400 A, 225 A, and 100 A for system voltages to 600 V. The standard offer includes a durable black powder coat paint finish.

Straight sections of busway are offered in 4 ft / 48 in. (1.2 m / 1200 mm) and 10 ft / 120 in. (3 m / 3000 m) lengths. Each opening is rated IP2X against solid object ingress (International Standards IP Protection Classification). Fittings include left and right elbows, tap boxes, and crosses, with accessory items such as hangers, end closures, and wall flanges completing the basic system. The enhanced plug-in offer provides 20 plug-in openings per 10 ft / 120 in. (3 m / 3048 mm) of straight length and 6 plug-in openings per 4 ft / 48 in. (1.2 m / 1200 mm) of straight length. Plug-in units are available in a wide variety of ready-to-assemble and factory-assembled devices.

The standard level of protection for the busway straight lengths and fittings is to International Standards IP Protection Classification IP40. For IP54 protection rating and seismic application, contact your local Schneider Electric representative.

Busbar Configuration

Powerbus can be supplied with up to five (5) conductor bars to accommodate a wide range of electrical systems. This includes 200% neutral capability to address applications where harmonic currents are a concern. Powerbus can also provide an isolated ground for electrical systems that require a “clean” ground, in addition to the standard 50% integral ground.



NOTE: Single-phase and DC systems are also available. Contact your local Schneider Electric representative.

Maintenance-Free Joint

For maximum reliability, the Powerbus joint employs a high-pressure, spring-type, copper connection that requires no maintenance after installation.

Physical and Electrical Data

Table 94 - Short-Circuit Rating

Product	Short-Circuit Current Rating KA, RMS Symmetrical		Impedance ²⁹ Line-to-Neutral (milliohms / 100 ft)			DC Resistance ²⁹ of Aluminum Housing Ground (milliohms / 100 ft)
	UL 3-Cycle Test	Series-Connected with Fuse	R	X60 Hz	X50 Hz	
100 A	14 kA	200 kA	15.34	7.59	6.32	1.25
225 A	22 kA	200 kA	6.40	4.00	3.33	1.15
400 A	35 kA	200 kA	3.74	2.19	1.83	0.54

Table 95 - Short Circuit Ratings: RMS Symmetrical (Series Rated with an Upstream Circuit Breaker)

Voltage, Vac ³⁰	Capacity	Breaker Type ³¹	RMS SYM Amps
240	100 A	HG or JG	65,000
	225 A	HG or JG	
	400 A	HG, JG, or LG	
480	100 A	HJ or JJ	65,000
	225 A	HJ or JJ	
	400 A	HJ, JJ, or LJ	
600	100 A	HL or JL	50,000
	225 A	HL or JL	
	400 A	HL, JL, or LL	

A series rating of the busway system may be achieved when the equipment listed in Powerbus Plug-In Unit Short Circuit Series Ratings is used with the indicated breaker at the voltage listed.

When protected by the indicated circuit breaker, the following Powerbus products listed in Powerbus Plug-In Unit Short Circuit Series Ratings are rated for use on a circuit capable of delivering not more than the RMS symmetrical amperes at the voltage shown.

Table 96 - Powerbus Plug-In Unit Short Circuit Series Ratings³²

Catalog Prefix	Voltage	Short Circuit Rating (RMS SYM. AMPS) with no receptacle or drop cord	Short Circuit Rating (RMS SYM. AMPS) with receptacle or drop cord	Main Breaker
PBPFA	600	50,000	14,000	HL, JL, or LL
	480	65,000	18,000	HJ, JJ, or LI
	240	65,000	25,000	HG, JG, or LG
	120	65,000	25,000	HG, JG, or LG
PBPQO	240	65,000	10,000	HG or JG
PBPQOR		65,000	10,000	HG or JG

29. Busway impedance and housing ground resistance are at 176°F (80°C) operating temperature

30. Interrupt rating of the busway system is limited to the lowest rated plug-in unit installed on the bus unless the plug-in unit carries a series rating with the main breaker used or unless a short circuit study has been completed and shows otherwise.

31. See Powerbus Plug-In Unit Short Circuit Series Ratings for available equipment with series ratings with these breakers.

32. The series rating information in this table is taken from the UL Yellowbook information for breakers used in the plug-in units listed under Catalog Prefix.

Table 96 - Powerbus Plug-In Unit Short Circuit Series Ratings⁹⁶ - (Continued)

Catalog Prefix	Voltage	Short Circuit Rating (RMS SYM. AMPS) with no receptacle or drop cord	Short Circuit Rating (RMS SYM. AMPS) with receptacle or drop cord	Main Breaker
PBPQOD		65,000	10,000	HG or JG
PBPQHD		65,000	10,000	HG, JG, or LG
PBPEDU	120	65,000	10,000	HG, JG, or LG
	240	65,000	10,000	HG, JG, or LG
	480	65,000	10,000	HJ, JJ, or LI
PBPEGU	120	65,000	10,000	HG, JG, or LG
	240	65,000	10,000	HG, JG, or LG
	480	65,000	10,000	HJ, JJ, or LI






Table 97 - Voltage Drop

Product	Voltage Drop (60 Hz @ Rated Load)					
	(Average Phase Line-to-Line Voltage Drop in Volts / 100 ft for Varying Power Factors)					
	100%	90%	80%	70%	60%	50%
100 A	2.6570	2.964	2.914	2.799	2.646	2.467
225 A	2.4940	2.923	2.929	2.858	2.742	2.596
400 A	2.5900	2.992	2.984	2.898	2.770	2.610

NOTE:

1. Values shown are based on single concentrated load at the end of a busway run. For distributed loading, divide the values shown by two (2).
2. For balanced 3-phase line-to-line voltage drop of 4-wire busway, use values from the table above.
3. For balanced 3-phase line-to-neutral voltage drop, multiply values by 0.577.
4. For single-phase voltage drop, multiply values by 1.15.
5. For other than rated current, multiply values by the ratio of: Actual Current ÷ Rated Current
6. For total voltage drop, multiply values by the ratio of: Actual Length ÷ 100 ft
7. Voltage drop calculations for 50 Hz can be made by substituting the appropriate value from Short Circuit Ratings. For other frequency values, contact Schneider Electric at 1-888-778-2733.

Table 98 - Physical Data

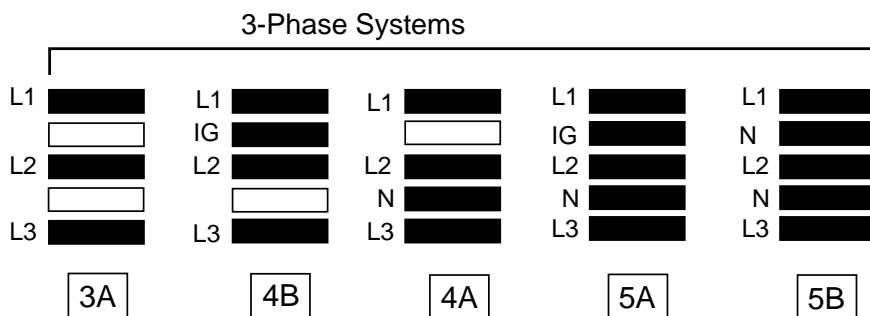
Product	Weights (Based on Busbar Configuration)					Busbar Size (The same bar size is used for all configurations.)
	3 bar	4 bar		5 bar		
						
	3A	4B	4A	5A	5B	
100 A	2.9 lbs/ft (4.32 kg/m)	3.2 lbs/ft (4.76 kg/m)		3.4 lbs/ft (5.06 kg/m)		0.125 x 0.50 inches (3.18 x 12.70 mm)
225 A	4.5 lbs/ft (6.70 kg/m)	5.1 lbs/ft (7.59 kg/m)		5.8 lbs/ft (8.63 kg/m)		0.125 x 1.38 inches (3.18 x 35.05 mm)
400 A	6.9 lbs/ft (10.27 kg/m)	8.0 lbs/ft (11.91 kg/m)		9.0 lbs/ft (13.39 kg/m)		0.125 x 2.25 inches (3.18 x 57.15 mm)

Catalog Numbering System

Table 99 - Busway Catalog Numbering System

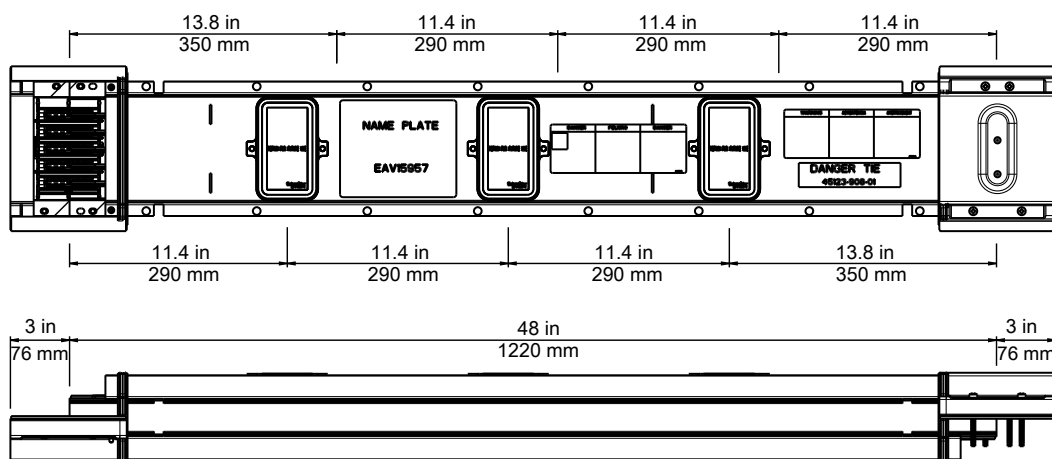
PB	CE	4A	225A	ST	120	Housing Color
		Busbar Configuration	Amperage Rating	Type of Device	Length	
PB = Powerbus	CE = Copper Plug-In Enhanced (20 openings per 10 ft / 120 in. (3 m / 3048 mm)) CF = Copper Fitting	Refer to Busbar Configuration.	100 A= 100 A 225 A= 225 A 400 A= 400 A All rated to 600 V max	ST = Straight Length	120 = 10 ft 048 = 4 ft	B = Black ³³
				LL = Elbow Left		
				LR = Elbow Right		
				CR = Cross		
				TB = Tap Box / Power Feed Unit		

Figure 135 - Busbar Configuration



Dimensions—Straight Lengths, Fittings, and Accessories

Figure 136 - Four-Foot Straight Lengths—Enhanced Plug-In Offer



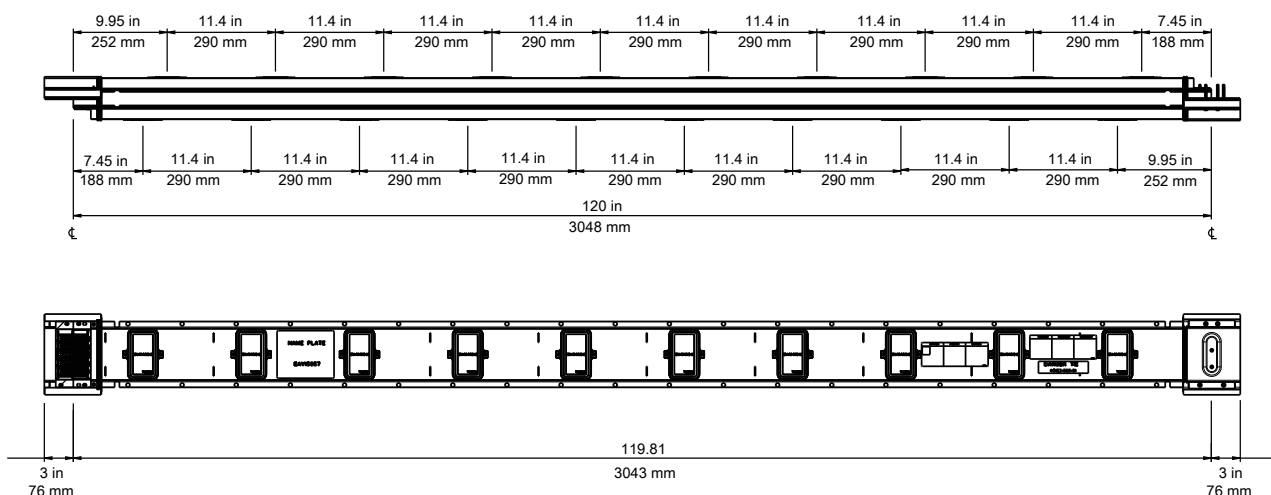
Catalog Numbers: PBCE³⁴400AST048B, PBCE³⁴225AST048B, PBCE³⁴100AST048B

Dimensions: in. mm

33. The 100 A busway and 225 A busway are also available in the natural aluminum color.

34. To complete the catalog number, insert the configuration type (3A, 4A, 4B, etc.) from Busbar Configuration.

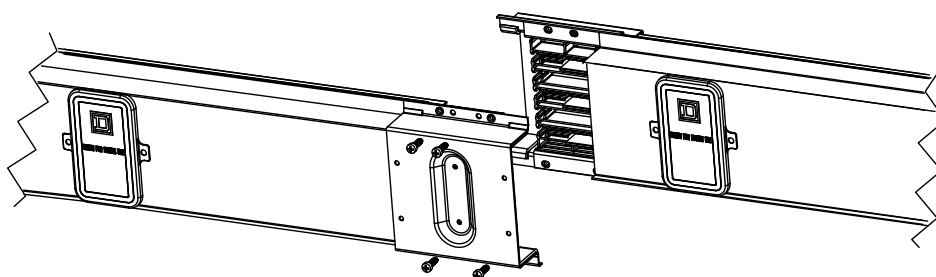
Figure 137 - Ten-Foot Straight Lengths—Enhanced Plug-In Offer



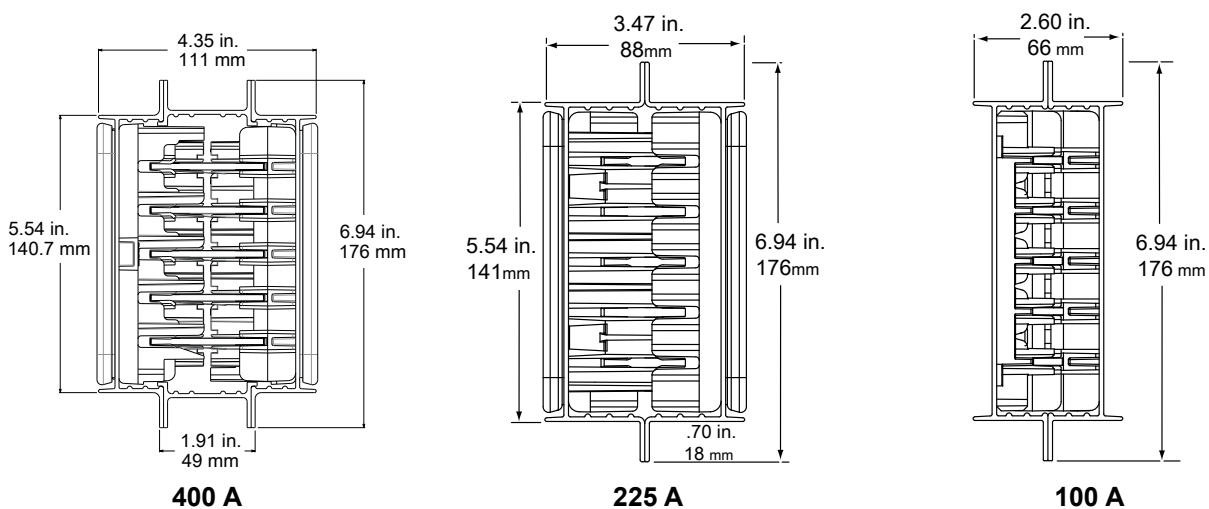
Catalog numbers are PBCE³⁵400AST120B, PBCE³⁵225AST120B, and PBCE³⁵100AST120B

Dimensions: in. mm

Joint Detail

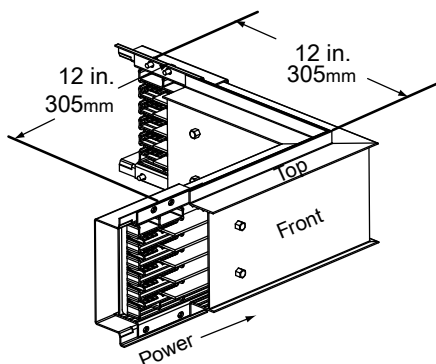


Cross Sections



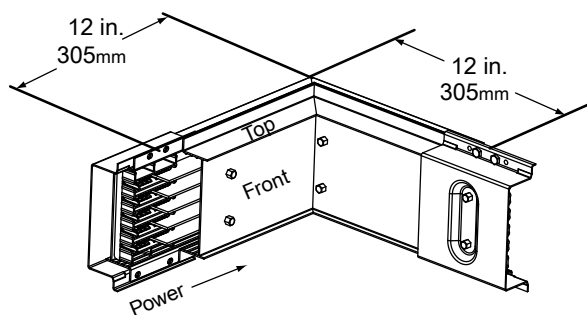
35. To complete the catalog number, insert the configuration type (3A, 4A, 4B, etc.) from Busbar Configuration.

Elbow Left



**Catalog Number: 400 A = PBCF³⁶400ALLB,
225 A = PBCF³⁶225ALLB,
100 A = PBCF³⁶100ALLB**

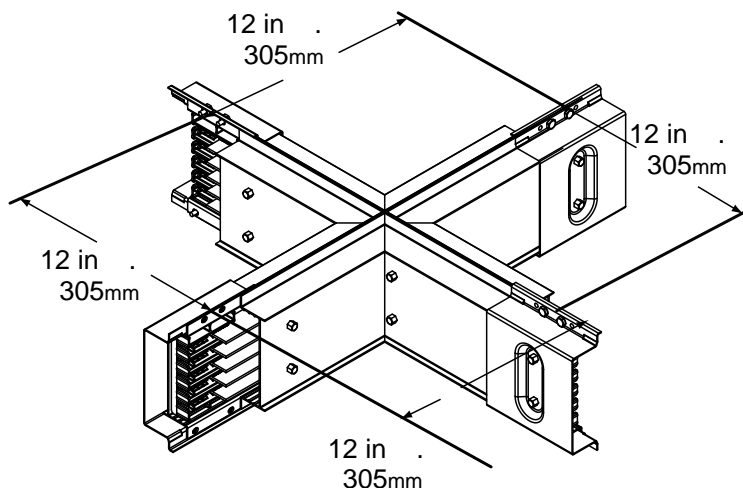
Elbow Right



**Catalog Number: 400 A = PBCF³⁶400ALRB,
225 A = PBCF³⁶225ALRB,
100 A = PBCF³⁶100ALRB**

Cross

NOTE: For applications that require a tee, a cross should be used and the unused end should be capped off.

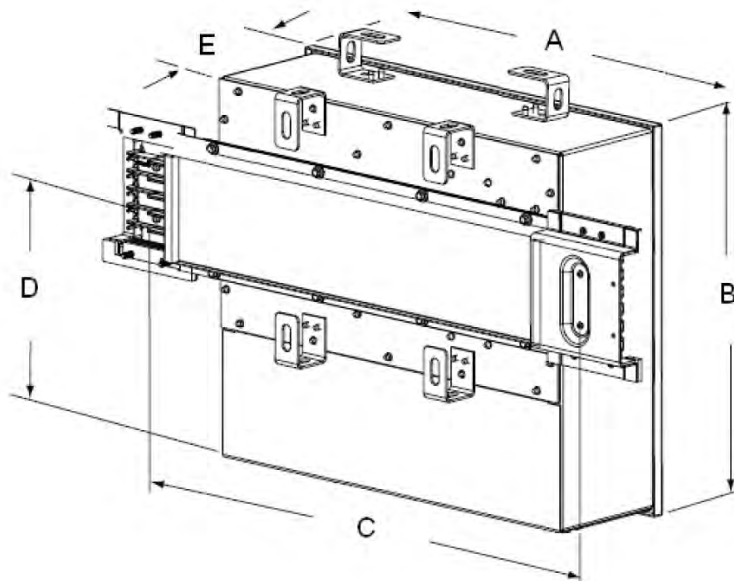


Catalog Number: 400 A = PBC³⁶400ACRB, 225 A = PBCF³⁶225ACRB, 100 A = PBCF³⁶100ACRB

36. To complete the catalog number, insert the configuration type (3A, 4A, 4B, etc.) from Busbar Configuration.

Tap Box / Power Feed Unit

Figure 138 - Tap Box / Power Feed Unit Dimensions



Catalog Number: 400 A = PBCF³⁷400ATBB, 225 A = PBCF³⁷225ATBB, 100 A = PBCF³⁷100ATBB

Table 100 - Tap Box/Power Feed Unit: Specifications

Product	Lugs per Phase and Neutral		Ground Lugs	
	Quantity	Size	Quantity	Size
100 A	1	#6 - 300 kcmil	1	#10 - 2/0
225 A	1	#6 - 300 kcmil	1	#10 - 2/0
400 A	2	#1 - 600 kcmil	2	#10 - 2/0

Table 101 - Tap Box/Power Feed Unit: Dimensions

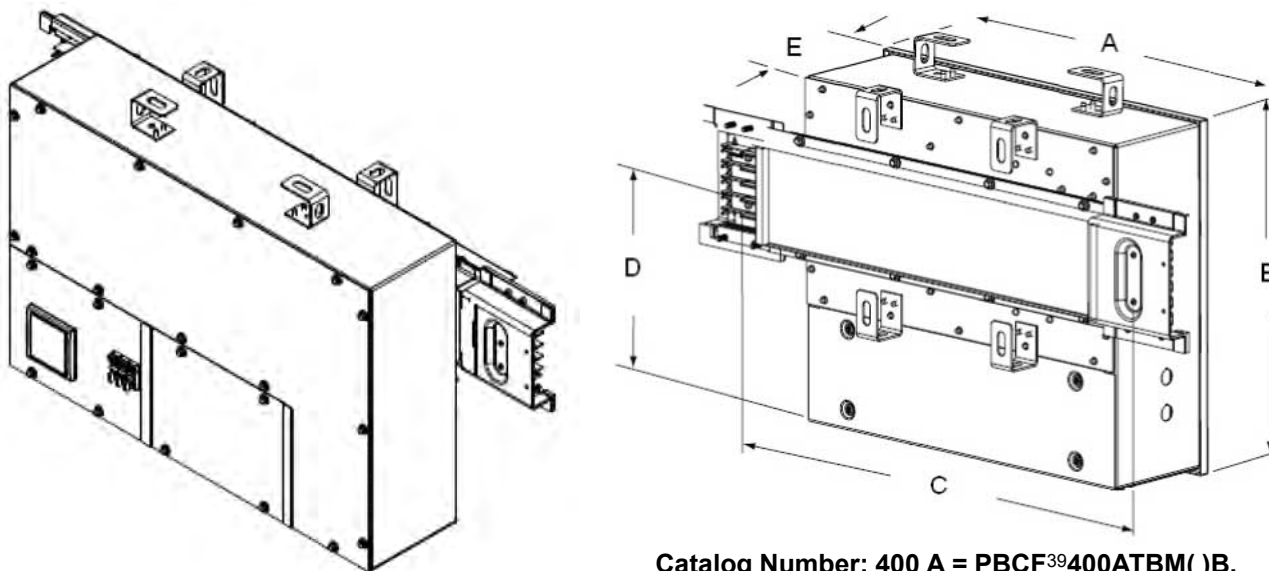
Product	Weight	A		B		C		D		E	
		IN	mm	IN	mm	IN	mm	IN	mm	IN	mm
100 A	50 lbs	16.60	422	14.50	368	24.00	762	9.50 ³⁸	241	6.50	165
225 A	65 lbs	31.00	787	14.50	368	38.00	965	6.50	165	8.00	178
400 A	95 lbs	35.50	902	14.50	368	43.00	1092	6.50	165	8.00	178

37. To complete the catalog number, insert the configuration type (3A, 4A, 4B, etc.) from Busbar Configuration.

38. For 100 A only, could be the dimension of the enclosure above or below the busway depending on preference.

Tap Box / Power Feed Unit with Metering and Communication

The Powerbus tap box is available with an optional PowerLogic PM5350 meter and gateway. The power meter provides an integrated display and offers all the power and energy measurement capabilities required to monitor the busway run in a single 3.8 x 3.8 in. (96 x 96 mm) unit. The meter is easy to operate with intuitive navigation and self-guided menus. The gateway is an integrated, web-based gateway-server that provides the ability to remotely monitor the meter through an Ethernet connection. An Ethernet port is available on the enclosure for integration into any power monitoring and control system.



Catalog Number: 400 A = PBCF³⁹400ATBM()B,
225 A = PBCF³⁹225ATBM()B,
Top Cable Access: 100 A = PBCF³⁹100ATBM()LB,
Bottom Cable Access: 100 A = PBCF³⁹100ATBM()UB

The PM5350 meter will be tested at the factory before shipment, so the catalog suffix will vary based on the system voltage. Replace the "()" in the catalog numbers shown above with the meter suffix number in Meter Suffix that corresponds to the system voltage of the busway.

Table 102 - Tap Box/Power Feed Unit with Metering and Communications: Specifications

Product	Lugs per Phase and Neutral		Ground Lugs	
	Quantity	Size	Quantity	Size
100 A	1	#6 - 300 kcmil	1	#10 - 2/0
225 A	1	#6 - 300 kcmil	1	#10 - 2/0
400 A	2	#1 - 600 kcmil	2	#10 - 2/0

Table 103 - Tap Box/Power Feed Unit with Metering and Communications: Dimensions

Product	Weight	A		B		C		D		E	
		IN	mm	IN	mm	IN	mm	IN	mm	IN	mm
100 A	70 lbs	23.50	597	21.00	533	30.00	762	13.00	330	8.00	178
225 A	90 lbs	31.00	787	21.00	533	38.00	965	14.60	371	8.00	178
400 A	120 lbs	35.50	902	21.00	533	43.00	1092	14.60	371	8.00	178

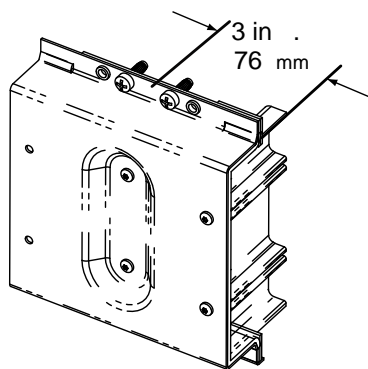
39. To complete the catalog number, insert the configuration type from Standard Construction Installation.

Table 104 - Meter Suffix

Meter Suffix	System Voltage
1	208Y/120 V 3Ø4W
2	240 V 3Ø3W
4	415/240V 3Ø4W
5	480Y/277V 3Ø4W

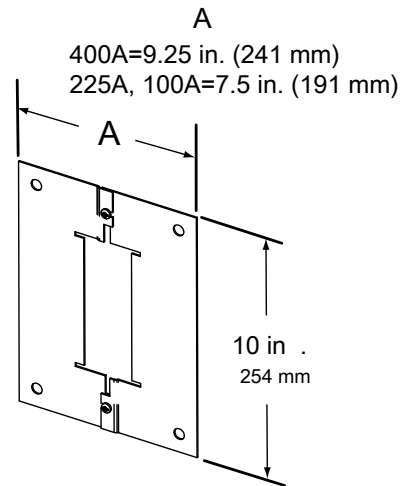
NOTE: Contact your local Schneider Electric representative for additional system voltages.

End Closure



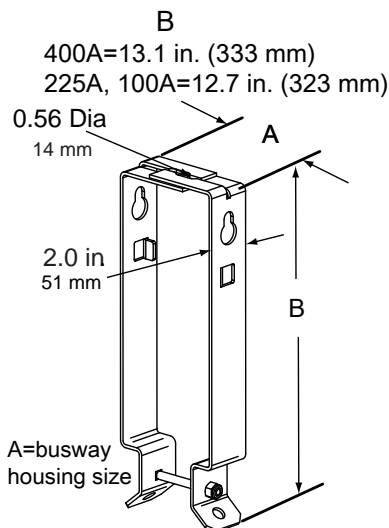
Catalog Number: 400 A = PB400AEC, 225 A = PB225AEC, 100 A = PB100AEC

Wall Flange



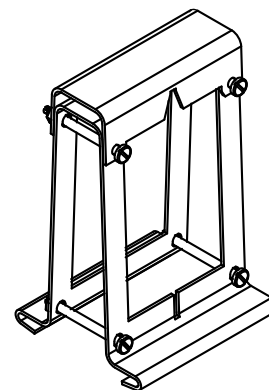
Catalog Number: 400 A = PB400WF, 225 A = PB225WF, 100 A = PB100WF

Standard Hanger⁴⁰



Catalog Number: 400 A = PB400FH, 225 A = PB225FH, 100 A = PB100FH

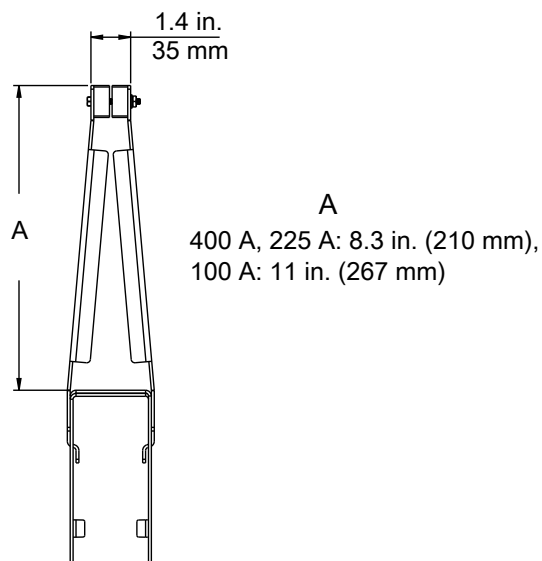
Support Clamp



Catalog Number: PB225SC_ (Suitable for 225 A and 100 A busway. Insert 4 or 6 for fastening clamp to 4-inch or 6-inch I-Beam)

40. Maximum hanger spacing is 5 ft (1.5 m). Nuts and drop rods provided by customer.

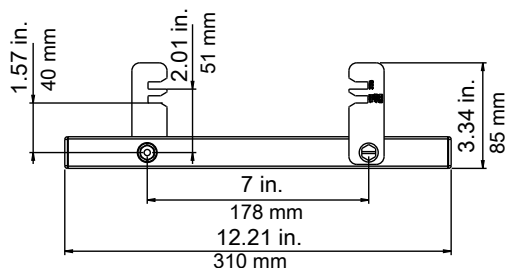
Vertical Sway Brace⁴¹



Standard hanger sold separately.

Catalog Number:
400 A = PB400VSB
225 A = PB225VSB
100 A = PB100VSB

Side-Mount Hanger⁴¹



Catalog Number: 400 A = PB400HFW,
225 A = PB225HFW, 100 A = PB100HFW

Table 105 - NetShelter™ IT Rack-Mounting Brackets

Bracket Type	Catalog Number
PB Busway Rack Mounting Bracket, Single Run	PBRMKS
PB Busway Rack Mounting Bracket, Double Run	PBRMKD
PB Busway Rack Mounting Sway Braces	PBRMSB
PB Busway Rack Mounting Drop-in Trough and Partition Brackets	PBRMDB
PB Busway Rack Mounting Skirt, 11.8 in. (300 mm) wide	PBRMSKT300
PB Busway Rack Mounting Skirt, 23.6 in. (600 mm) wide	PBRMSKT600
PB Busway Rack Mounting Skirt, 29.5 in. (750 mm) wide	PBRMSKT750
PB Busway Rack Mount Extra Hardware	PBRMHW

NOTE: The Busway Rack Mounting Kits are compatible with 100 A, 225 A, and 400 A Busway solutions.

41. Maximum hanger spacing is 5 ft (1.5 m). Nuts and drop rods provided by customer.

Powerbus Plug-In Units

General Information

Powerbus plug-in units provide a safe, reliable, and easy-to-use method for tapping power off the busway exactly where it is needed. FA units are rated for a maximum of 100 A / 600 V, EDU/EGU units are rated for a maximum of 480Y / 277 V, and QO/QOR/QOU units are rated for a maximum of 100 A / 240 V. All units are protected to NEMA 1. The EDU/EGU units have optional metering capabilities available. An optional kit can raise the level of protection to IP54 on FA/QO units; the same kit raises a receptacle-type unit (QOR) to IPX3.

Ready-to-Assemble Plug-In Units

These “enclosure only” devices have provisions for field-mounting a variety of FA or QO type circuit breakers and receptacles, if required:

- Tap Box (Plug-In): for cabling power from busway
- FA Plug-In Unit: with provisions to accommodate field-installed FA circuit breakers
- QO Plug-In Unit: with provisions to accommodate field-installed QO circuit breakers
- QOR Plug-In Units: with provisions to accommodate field-installed QO circuit breakers plus receptacles

NOTE: Only three breaker spaces are available for all the units listed above.

Factory-Assembled Plug-In Units

As a convenient option, Schneider Electric will factory install the FA or QO circuit breakers (and receptacles, if desired) into the enclosure and completely wire them so the units are ready for immediate installation onto the busway as soon as they arrive in the field.

EDU/EGU and QOU/QOD plug-in units are factory-installed with circuit breakers, drop cords, and connectors.

NOTE:

- The QOU and EDU/EGU devices are only available as factory-assembled and include a cover-type front. The QOD unit is available with a door front.
- Six breaker spaces are available for the QOU/QOD unit.
- Three breaker spaces are available for the EDU/EGU unit.

Table 106 - Circuit Breakers

Circuit Breaker	Ampere Rating	Interrupting Ratings			Number of Poles
		240 V	480 Y/277 V	600 V	
QO	15–100	10 kA	—	—	1 ⁴² , 2, or 3
QOB		10 kA	—	—	
QOU		10 kA	—	—	
QOU-VH	15-60	22 kA	—	—	1, 2, or 3 ⁴³
EDB	15–100	25 kA	18 kA	—	1 ⁴² , 2, or 3
EGB		35 kA	35 kA	—	
FA		25 kA	18 kA	14 kA	3

42. 1-pole breakers may not be available in all amperage ratings.

43. 3-pole breaker available up to 30 A max.

The short circuit ratings of plug-in units are limited by the mounted busway rating. Receptacles and connectors have a 10 kA short circuit rating.

Table 107 - Receptacles

Receptacle	Ampere Rating	Number of Poles
Duplex—Commercial	15–30	1, 2, or 3
Duplex—Industrial		
Duplex—Isolated Ground		
Locking		
Locking—240 V		
Locking—480 V		

Table 108 - Enclosure Ratings

Plug-In Device	Standard Rating	Optional Rating ⁴⁴
Tap Box ⁴⁴	NEMA 1	IP54
QOR		IPX3 using optional kit, PBP54100QO IP54 using optional kit, PBP54100QO IP54 using optional kit, PBP54100FA
QO		
FA		
EDB		None
EGB		None
QOU		None
QOD		IP54

Catalog Numbering System

Table 109 - Ready-to-Assemble Factory-Assembled Plug-In Unit Catalog Numbering System—Devices with Receptacle / Circuit Breaker⁴⁵

PBP	QOR	5A	100	P54	M1	15B
	Type of Device	Plug-In Jaw Configuration	Maximum Amperage Rating	IP Rating	Receptacle Configuration	Circuit Breaker and Rating
Powerbus plug-in device	QO = QO circuit breaker only	Refer to the Busbar Configuration Table.	100	Blank = NEMA 1 PX3 = IPX3 (QOR only) P43 = IP43 P54 = IP54	Refer to the Receptacle/Circuit Breaker Type Configuration and the Plug-In Units (Factory-Assembled).	15 = 15 Amp QO
	QOR = QO circuit breaker and receptacle					15B = 15 Amp QOB
	FA = FA circuit breaker					20 = 20 Amp QO
	TB = Tap Box					20B = 20 Amp QOB

44. The degree of protection can be increased to IP43 or IP54 using the appropriately rated receptacles.

45. The circuit breakers and receptacles are provided by others.

Table 110 - Factory-Assembled Plug-In Unit Catalog Numbering System—Devices with Drop Cords and Connectors

PBP	QOU	4A	100	O	F	O	L5	15	M1	Carry Handle
	Type of Device	Plug-In Jaw Configuration	Maximum Amperage Rating	1st Circuit Breaker Position	2nd Circuit Breaker Position	3rd Circuit Breaker Position	Connector Type	Circuit Breaker Amperage Rating	Meter	
Powerbus plug-in device	QOU = QOU circuit breaker unit EDU = EDB circuit breaker unit EGU = EGB circuit breaker unit	Refer to the Busbar Configuration Table.	100 A	Phase connection and drop cord length Refer to Drop Cord Lengths.	Phase connection and drop cord length Refer to Drop Cord Lengths.	Phase connection and drop cord length Refer to Drop Cord Lengths.	Refer to NEMA Receptacles (R) and Connectors (C).	15–60 A	M() = Meter Option Refer to Metering.	T = Carry Handle Option

Figure 139 - Busbar Configuration Table

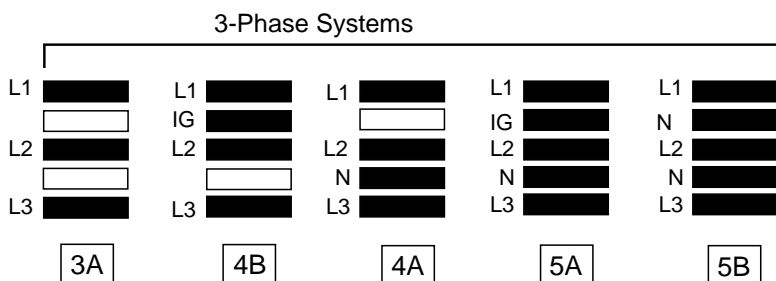


Figure 140 - Receptacle/Circuit Breaker Type Configuration

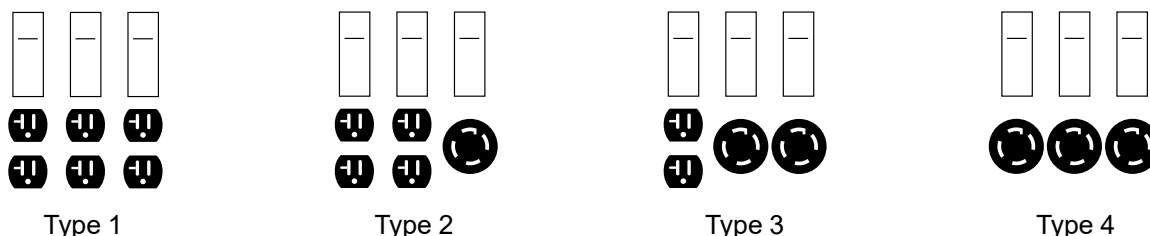


Table 111 - Drop Cord Lengths⁴⁶

Positions											
B	C	D	E	F	G	H	I	J	K	L	O
2 ft (0.6 m)	3 ft (0.9 m)	4 ft (1.2 m)	5 ft (1.5 m)	6 ft (1.8 m)	7 ft (2.0 m)	8 ft (2.4 m)	9 ft (2.7 m)	10 ft (3.0 m)	11 ft (3.4 m)	12 ft (3.7 m)	OPEN (No breaker/drop cord for this position)

Table 112 - Metering⁴⁷

Meter Suffix	System Voltage	Meter Suffix	System Voltage
1	208Y/120 V 3Ø4W	4	415/240 V 3Ø4W
2	240 V 3Ø3W	5	480Y/277 V 3Ø4W

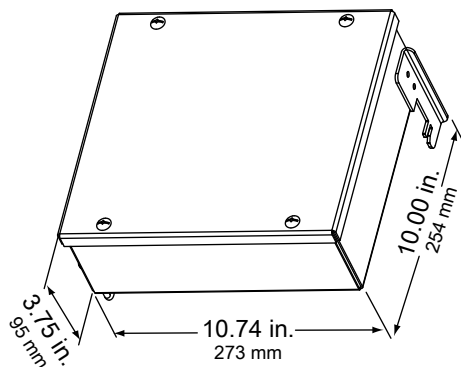
46. One 1-pole breaker in the 1st circuit breaker position will be wired on the A phase. One 1-pole breaker in the 2nd circuit breaker position will be wired on the B phase. One 2-pole breaker in the 1st circuit breaker position will be wired on the A and B phases.
 47. Metering only available in EDU/EGU units with drop cords and connectors.

Plug-In Units (Ready-to-Assemble)

Tap Box (For 225 A and 100 A Busway Only)

Weight: 10 lbs. (5 kg)

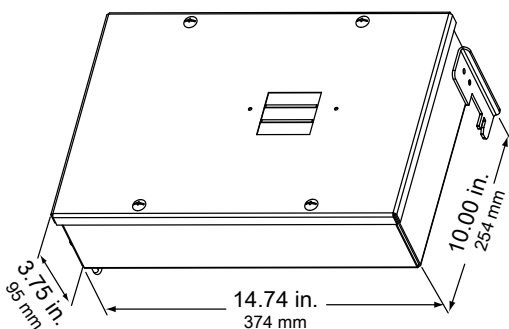
NOTE: Conductor lugs—1 #14-1/0 per bar (e.g., “4A” configuration would have four lugs) Ground lugs—1 #14-1/0



Busbar Configurations	Catalog Number
3A	PBPTB3A100
4B	PBPTB4B100
4A	PBPTB4A100
5A	PBPTB5A100

QO Unit (Provision for Three QO/QOB Breakers)

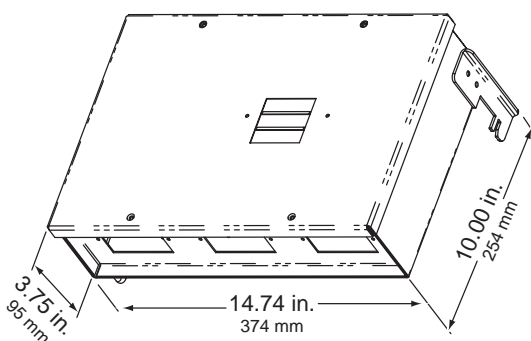
Weight: 13 lbs. (6 kg)



Busbar Configurations	Catalog Number
3A	PBPQO3A100
4B	PBPQO4B100
4A	PBPQO4A100
5A	PBPQO5A100

QOR Unit (Provision for Three QO/QOB Breakers and Three Receptacles)

Weight: 13 lbs. (6 kg)

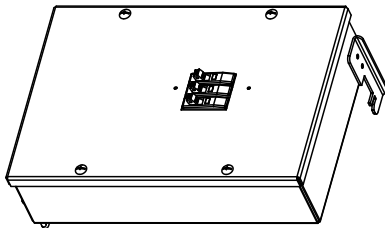


Busbar Configurations	Catalog Number
3A	PBPQOR3A100
4B	PBPQOR4B100
4A	PBPQOR4A100
5A	PBPQOR5A100

Plug-In Units (Factory-Assembled)

QO Unit with Circuit Breaker

Weight: 14 lbs. (6 kg)



QOR Unit with Circuit Breaker and Receptacles

Weight: 15 lbs. (7 kg)

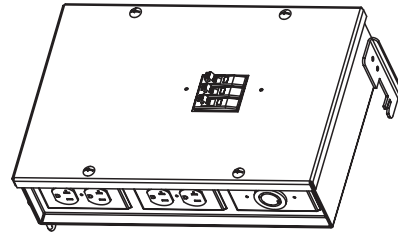
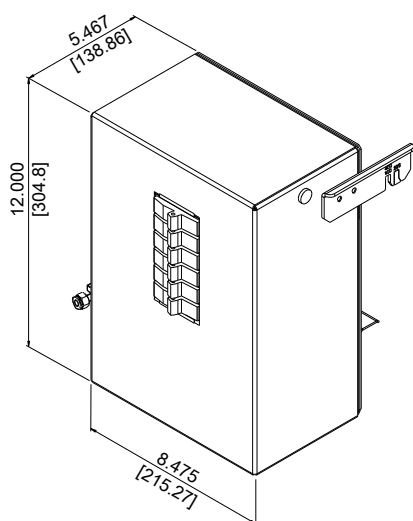


Table 113 - QO/QOR Units with Circuit Breakers and Receptacles—120 V⁴⁸

Circuit Breaker		Catalog Number		
Rating	Type	4A Configuration	5A Configuration	5B Configuration
Type 1—Three (3) Circuit Breakers Plus (3) Duplex Receptacles				
15	QO	PBPQOR4A100M115	PBPQOR5A100M115	PBPQOR5B100M115
15	QOB	PBPQOR4A100M115B	PBPQOR5A100M115B	PBPQOR5B100M115B
20	QO	PBPQOR4A100M120	PBPQOR5A100M120	PBPQOR5B100M120
20	QOB	PBPQOR4A100M120B	PBPQOR5A100M120B	PBPQOR5B100M120B
Type 2—Three (3) Circuit Breakers Plus (2) Duplex Receptacles and (1) Single Locking Receptacle				
15	QO	PBPQOR4A100M215	PBPQOR5A100M215	PBPQOR5B100M215
15	QOB	PBPQOR4A100M215B	PBPQOR5A100M215B	PBPQOR5B100M215B
20	QO	PBPQOR4A100M220	PBPQOR5A100M220	PBPQOR5B100M220
20	QOB	PBPQOR4A100M220B	PBPQOR5A100M220B	PBPQOR5B100M220B
Type 3—Three (3) Circuit Breakers Plus (1) Duplex Receptacle and (2) Single Locking Receptacles				
15	QO	PBPQOR4A100M315	PBPQOR5A100M315	PBPQOR5B100M315
15	QOB	PBPQOR4A100M315B	PBPQOR5A100M315B	PBPQOR5B100M315B
20	QO	PBPQOR4A100M320	PBPQOR5A100M320	PBPQOR5B100M320
20	QOB	PBPQOR4A100M320B	PBPQOR5A100M320B	PBPQOR5B100M320B
Type 4—Three (3) Circuit Breakers and (3) Single Locking Receptacles				
15	QO	PBPQOR4A100M415	PBPQOR5A100M415	PBPQOR5B100M415
15	QOB	PBPQOR4A100M415B	PBPQOR5A100M415B	PBPQOR5B100M415B
20	QO	PBPQOR4A100M420	PBPQOR5A100M420	PBPQOR5B100M420
20	QOB	PBPQOR4A100M420B	PBPQOR5A100M420B	PBPQOR5B100M420B

48. Additional circuit breakers include QO-GFI, QO-HID, QO-K, and QO-EPD. Other factory-assembled units are available using receptacles shown in NEMA Receptacles (R) and Connectors (C). Consult your local Schneider Electric representative.

QOU Unit with Circuit Breaker**Weight: 15 lbs. (7.5 kg)⁴⁹****Table 114 - QOU Units with Circuit Breakers, Drop Cords, and Connectors (240 V Max)**

Circuit Breaker		NEMA Connector	Drop Cord Length (ft)	Catalog Number ⁵⁰		
Amps	Poles			4A	5A ⁵¹	5B
One circuit breaker plus drop cord and connector						
15	1	L5-15	3	PBPQOU4A100COOL515	PBPQOU5A100COOL515	PBPQOU5B100COOL515
20	1	L5-20	3	PBPQOU4A100COOL520	PBPQOU5A100COOL520	PBPQOU5B100COOL520
30	1	L5-30	3	PBPQOU4A100COOL530	PBPQOU5A100COOL530	PBPQOU5B100COOL530
15	2	L6-15	3	PBPQOU4A100COOL615	PBPQOU5A100COOL615	PBPQOU5B100COOL615
20	2	L6-20	3	PBPQOU4A100COOL620	PBPQOU5A100COOL620	PBPQOU5B100COOL620
30	2	L6-30	3	PBPQOU4A100COOL630	PBPQOU5A100COOL630	PBPQOU5B100COOL630
20	3	L21-20	3	PBPQOU4A100COOL2120	PBPQOU5A100COOL2120	PBPQOU5B100COOL2120
30	3	L21-30	3	PBPQOU4A100COOL2130	PBPQOU5A100COOL2130	PBPQOU5B100COOL2130
15	1	L5-15	6	PBPQOU4A100FOOL515	PBPQOU5A100FOOL515	PBPQOU5B100FOOL515
20	1	L5-20	6	PBPQOU4A100FOOL520	PBPQOU5A100FOOL520	PBPQOU5B100FOOL520
30	1	L5-30	6	PBPQOU4A100FOOL530	PBPQOU5A100FOOL530	PBPQOU5B100FOOL530
15	2	L6-15	6	PBPQOU4A100FOOL615	PBPQOU5A100FOOL615	PBPQOU5B100FOOL615
20	2	L6-20	6	PBPQOU4A100FOOL620	PBPQOU5A100FOOL620	PBPQOU5B100FOOL620
30	2	L6-30	6	PBPQOU4A100FOOL630	PBPQOU5A100FOOL630	PBPQOU5B100FOOL630
20	3	L21-20	6	PBPQOU4A100FOOL2120	PBPQOU5A100FOOL2120	PBPQOU5B100FOOL2120
30	3	L21-30	6	PBPQOU4A100FOOL2130	PBPQOU5A100FOOL2130	PBPQOU5B100FOOL2130

QOU catalog numbers are for cover front units. Units are also available with door fronts (QOD).

49. Weight will vary based on the connector and length and number of drop cords.

50. Up to three drop cords can be ordered per device for 1-pole and 2-pole breakers. Up to two drop cords can be ordered for 3-pole breakers. Drop cord lengths range from 2 to 12 feet (.610 to 3.658 meters), and lengths can be combined in same device.

51. Drop cord ground terminals are connected to the IG and are marked accordingly.

EDU Unit with Circuit Breaker and Meter

Weight: 18 lbs. (8 kg)

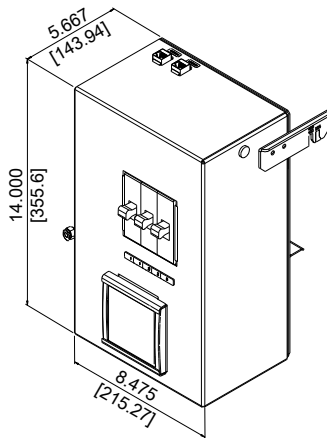


Table 115 - EDU Units with Circuit Breakers, 3 ft Drop Cords with NEMA Connectors (240 V Max), and PM5350 Meter

Circuit Breaker		NEMA Connector ⁵²	Drop Cord Length (ft)	Catalog Number ⁵³		
Amps ¹	Poles ¹			4A	5A ⁵⁴	5B
One ED circuit breaker, drop cord, connector and PM5350 meter (208Y/120 V)						
15	1	L5-15	3	PBPEDU4A100COOL515M1	PBPEDU5A100COOL515M1	PBPEDU5B100COOL515M1
20	1	L5-20	3	PBPEDU4A100COOL520M1	PBPEDU5A100COOL520M1	PBPEDU5B100COOL520M1
30	1	L5-30	3	PBPEDU4A100COOL530M1	PBPEDU5A100COOL530M1	PBPEDU5B100COOL530M1
15	2	L6-15	3	PBPEDU4A100COOL615M1	PBPEDU5A100COOL615M1	PBPEDU5B100COOL615M1
20	2	L6-20	3	PBPEDU4A100COOL620M1	PBPEDU5A100COOL620M1	PBPEDU5B100COOL620M1
30	2	L6-30	3	PBPEDU4A100COOL630M1	PBPEDU5A100COOL630M1	PBPEDU5B100COOL630M1
20	3	L15-20	3	PBPEDU4A100COOL1520M1	PBPEDU5A100COOL1520M1	PBPEDU5B100COOL1520M1
30	3	L15-30	3	PBPEDU4A100COOL1530M1	PBPEDU5A100COOL1530M1	PBPEDU5B100COOL1530M1
20	3	L15-20	3	PBPEDU4A100COOL1520M1	PBPEDU5A100COOL1520M1	PBPEDU5B100COOL1520M1
30	3	L15-30	3	PBPEDU4A100COOL1530M1	PBPEDU5A100COOL1530M1	PBPEDU5B100COOL1530M1
20	3	L15-20	3	PBPEDU4A100COOL1520M1	PBPEDU5A100COOL1520M1	PBPEDU5B100COOL1520M1
30	3	L15-30	3	PBPEDU4A100COOL1530M1	PBPEDU5A100COOL1530M1	PBPEDU5B100COOL1530M1
20	3	L21-20	3	PBPEDU4A100COOL2120M1	PBPEDU5A100COOL2120M1	PBPEDU5B100COOL2120M1
30	3	L21-30	3	PBPEDU4A100COOL2130M1	PBPEDU5A100COOL2130M1	PBPEDU5B100COOL2130M1

52. Other NEMA Connectors are available.

53. Up to three drop cords can be ordered per device for a 1-pole breaker. One drop cord is available for 2-pole and 3-pole breakers. Circuit breaker and drop cord positions are configurable. Based on system voltage of the busway, the catalog number meter suffix would change.

54. Drop cord ground terminals are connected to the IG and are marked accordingly.

Table 116 - EDU Units with Circuit Breakers, 3 ft Drop Cords with IEC Connectors (480Y/ 277 V Max.), and PM5350 Meter

Circuit Breaker		IEC 60309 Connector ⁵⁵	Drop Cord Length (ft)	Catalog Number ⁵⁶		
Amps	Poles			4A	5A ⁵⁷	5B
One (1) ED circuit breaker, drop cord, connector, and PM5350 Meter (480Y/277 V Max.)						
20	2	2-Pole, 3-Wire Grounding	3	PBPEDU4A100COOS3420M5	PBPEDU5A100COOS3420M5	PBPEDU5B100COOS3420M5
30	2	2-Pole, 3-Wire Grounding	3	PBPEDU4A100COOS3430M5	PBPEDU5A100COOS3430M5	PBPEDU5B100COOS3430M5
60	2	2-Pole, 3-Wire Grounding	3	PBPEDU4A100COOS3460M5	PBPEDU5A100COOS3460M5	PBPEDU5B100COOS3460M5
20	3	3-Pole, 4-Wire Grounding	3	PBPEDU4A100COOS4420M5	PBPEDU5A100COOS4420M5	PBPEDU5B100COOS4420M5
30	3	3-Pole, 4-Wire Grounding	3	PBPEDU4A100COOS4430M5	PBPEDU5A100COOS4430M5	PBPEDU5B100COOS4430M5
60	3	3-Pole, 4-Wire Grounding	3	PBPEDU4A100COOS4460M5	PBPEDU5A100COOS4460M5	PBPEDU5B100COOS4460M5
20	3	4-Pole, 5-Wire Grounding	3	PBPEDU4A100COOS5420M5	PBPEDU5A100COOS5420M5	PBPEDU5B100COOS5420M5
30	3	4-Pole, 5-Wire Grounding	3	PBPEDU4A100COOS5430M5	PBPEDU5A100COOS5430M5	PBPEDU5B100COOS5430M5
60	3	4-Pole, 5-Wire Grounding	3	PBPEDU4A100COOS5460M5	PBPEDU5A100COOS5460M5	PBPEDU5B100COOS5460M5

55. Other IEC Connectors are available.

56. Up to three drop cords can be ordered per device for a 1-pole breaker. One drop cord is available for 2-pole and 3-pole breakers. Circuit breaker and drop cord positions are configurable. Based on system voltage of the busway, the catalog number meter suffix would change.

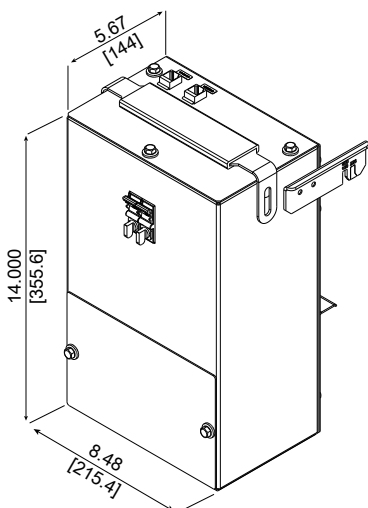
57. Drop cord ground terminals are connected to the IG and are marked accordingly.

Gateway Unit

The gateway plug-in unit includes one integrated, web-based gateway-server that provides the ability to remotely monitor metered plug-in units through an Ethernet connection. For remote monitoring capabilities, a gateway is required (in the feed unit or in a plug-in unit). Units with metering can be daisy-chained together via modbus back to a gateway. Modbus and ethernet ports are available on the enclosure for the integration of metered plug-in units into any power monitoring and control system. A maximum of 32 units should be modbus daisy-chained together to one gateway unit.

Gateway Unit

Weight: 15 lbs. (7.5 kg)



3A	4B	5A	5B
PBPEGX3A100T	PBPEGX4B100T	PBPEGX5A100T	PBPEGX5B100T

Table 117 - NEMA Receptacles (R) and Connectors (C)

Wiring	Voltage	15 A	20 A	30 A
Non-Locking Devices				
2-Pole, 3-Wire, Grounding	120	5-15	5-0	—
2-Pole, 3-Wire, Grounding	240	6-15	6-20	—
3-Pole, 3-Wire, Grounding	120 / 240	14-15	14-20	—
3-Pole, 3-Wire, Grounding	3Ø 240	15-15	15-20	—
Locking Devices				
2-Pole, 3-Wire, Grounding	120	L5-15	L5-20	L5-30
2-Pole, 3-Wire, Grounding	240	L6-15	L6-20	L6-30
3-Pole, 4-Wire, Grounding	120 / 240	—	L14-20	L14-30
3-Pole, 4-Wire, Grounding	3Ø 240	—	L15-20	L15-30
4-Pole, 5-Wire, Grounding	3ØY 120 / 208	—	L21-20	L21-30

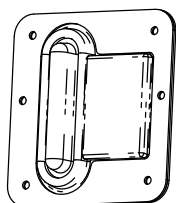
NOTE: QOR plug-in units have 1.82 in. x 2.82 in. (46 mm x 72 mm) openings for receptacle bodies and 3.28 in. (83 mm) spacing for #6-32 mounting holes. Additional NEMA connectors may be available. Contact your local Schneider Electric representative.

Table 118 - IEC 60309 Connectors⁵⁸

Wiring	Voltage	20 A	30 A	60 A
2-pole, 3-wire, Grounding	240	320C6	330C6	360C6
	415	320C9	330C9	360C9
3-pole, 4-wire, Grounding	3Ø 240	420C9	430C9	460C9
	3Ø 415	420C6	430C6	460C6
4-pole, 5-wire Grounding	3ØY 120 / 208	520C9	530C9	560C9
	3ØY 415 / 240	520C6	530C6	560C6
	3ØY 480 / 277	520C7	530C7	560C7

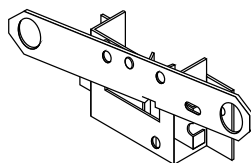
Plug-In Unit Accessories

IP54 Kit (Water-Tight Boot for Circuit Breaker Opening)



Catalog Number:
QO Unit = PBP54100QO

Floor Operator Attachment



Catalog Number:
QO Unit = PBFO100QO

Plug-In Opening Cover



Catalog Number:
PBPIOCVR

Additional Accessories

Table 119 - Additional Accessories

Description	Catalog Number
Hookstick 8 ft (2.4 m)	515608
Hookstick 14 ft (4.3 m)	515614

58. Additional connectors may be available. Consult your local Schneider Electric representative.

Power-Zone Metal-Enclosed Busway

General

Power-Zone™ metal-enclosed, non-segregated phase medium and low voltage bus systems are custom-designed and manufactured. Standard sizes and ratings and a complete line of components allow each system to be tailored to suit the requirements of each application, while at the same time provide the reliability that Schneider Electric products are known for providing.

Standard bus systems are available in four basic voltage classes: 600 V, 5 kV, 15 kV, and 38 kV with a full range of continuous self-cooled current ratings and momentary current ratings. Other voltage classes are available upon request.

The following components are also available for all sizes and ratings:

- equipment terminations
- horizontal and vertical elbows
- tee-taps
- phase transpositions
- expansion joints
- vibration joints
- misalignment joints
- wall and floor penetration assemblies
- fire and smoke barriers
- bus supports

Power-Zone bus design and construction is in strict accordance with ANSI Standard C37.23. It can be supplied with full, round edge 98% IACS copper or 57% IACS aluminum bars. Copper contact surfaces are silver-plated. Aluminum contact surfaces are tin-plated. All aluminum electrical connections are fitted with conical washers to maintain a constant contact pressure.

Standard hardware for conductor joints is plated steel for bare connections not exposed to weather or insulated connections where the bus rating does not exceed 5000 A. Hardware is stainless steel for bare connections exposed to weather and all connections where the bus ratings exceeds 5000 A.

With the exception of 600 V class, which is normally uninsulated, the bus conductors are insulated with a flame-retardant, non-hygroscopic, high dielectric strength fluidized bed epoxy insulation rated 266°F (130°C). The 5000 V and 15000 V busway joints are insulated with removable insulating boots, while the 38,000 V busway joints are taped.

The 5 kV and the 15 kV bus conductors are mounted and secured against short circuit forces in molded, track resistant, flame-retardant, non-hygroscopic support blocks of glass-reinforced polyester. The UL molded support insulators are ribbed to maximize both tracking distance and mechanical strength. They are spaced as appropriate to maintain the required short circuit strength of the bus. Semi-conducting silicone rubber corona suppression inserts are used between the conductor and support blocks. Porcelain is optional for 5 kV and 15 kV and is standard for 38 kV. The 600 V supports are glass-reinforced polyester.

The bus conductors are completely enclosed in a grounded metal housing for the protection of both personnel and property. The housings are fabricated from painted aluminum, steel, or stainless steel. Aluminum housings are standard and are recommended for current ratings above 2000 A due to the effects of hysteresis associated with ferrous, magnetic housing materials, such as steel.

On outdoor applications, bottom covers are equipped with screened breathers to eliminate the accumulation of moisture within the housing. In addition, manually or thermostatically controlled electric strip heaters are provided to aid condensation control.

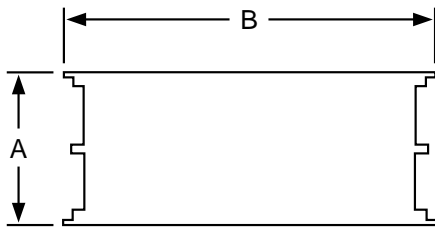
To complete the system, a line of steel structural supports is also available for both indoor and outdoor applications.

Standard Construction

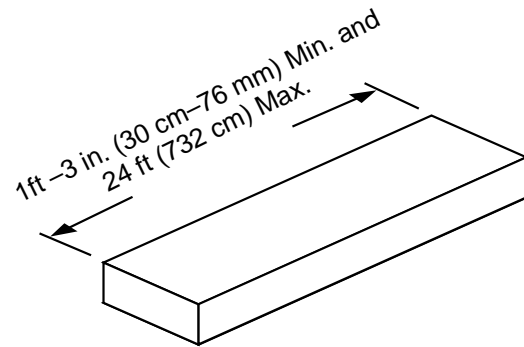
Figure 141 - Standard Construction Installation

(for weights/dimensions, see Power-Zone Metal-Enclosed Busway—Minimum Dimensions and Other Specifications)

Cross Section

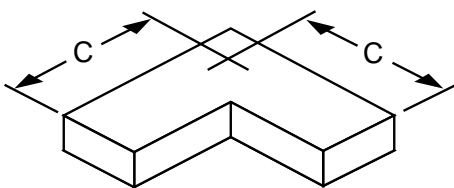


Straight

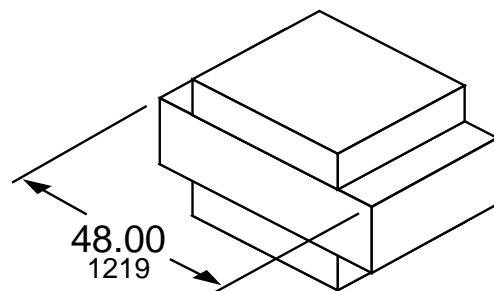


Dimensions: in.
mm

Horizontal Elbow

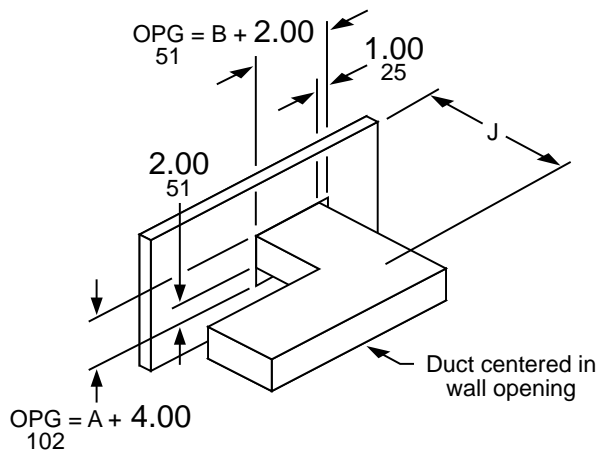


Phase Transposition

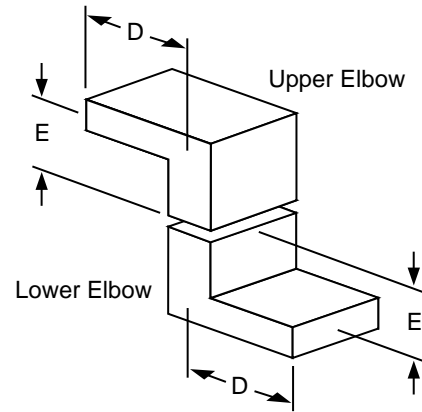


Dimensions: in.
mm

Wall Entrance

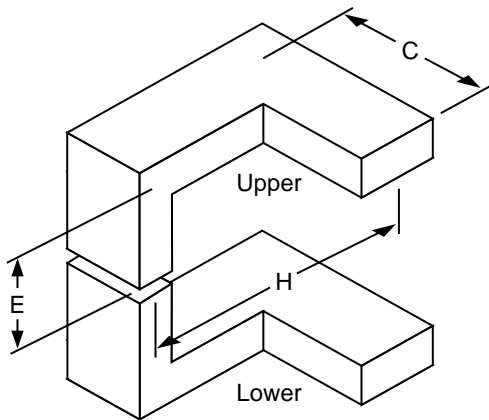


Vertical Elbows

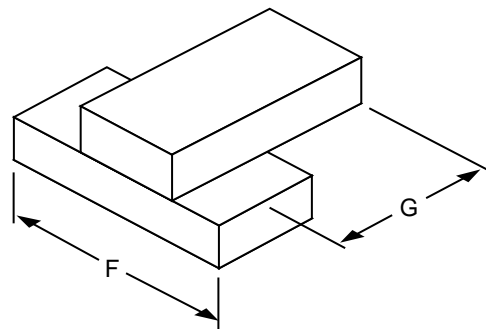


Dimensions: in.
mm

Transition



Horizontal Tee



Vertical Tee

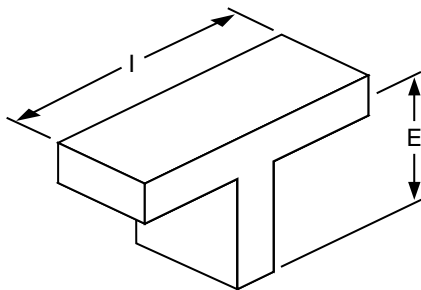


Table 120 - Power-Zone Metal-Enclosed Busway—Minimum Dimensions and Other Specifications

Voltage and Material	Ampere Rating	Wt (Lb)	Dimensions						Resistance Microhms Per Phase Per Foot	Watt Loss Per 3-Phase Foot	Reac-tance Microhms Per Foot	Impe-dance Microhms Per Foot
			A		B		C					
			IN	mm	IN	mm	IN	mm				
Copper 600	1200	29	8.00	203	21.00	533	22.00	559	10.76	46	44.29	45.58
	1600	33	8.00	203	21.00	533	22.00	559	8.5	65	43.46	44.28
	2000	47	10.00	254	21.00	533	22.00	559	5.79	70	37.05	37.5
	2500	54	14.00	356	21.00	533	22.00	559	4.71	88	29.23	29.61
	3200	75	14.00	356	27.00	686	25.00	635	3.91	120	31.84	32.08
	4000	111	14.00	356	36.00	914	30.00	762	3.47	166	41.93	42.07
	5000	131	24.00	610	42.00	1067	33.00	838	2.78	209	42.54	42.63
	6000	147	28.00	711	42.00	1067	33.00	838	2.41	260	24.76	24.88
Alumi-num 600	1200	21	8.00	203	21.00	533	22.00	559	13.41	58	43.46	45.48
	1600	26	10.00	254	21.00	533	22.00	559	8.76	67	37.05	38.07
	2000	32	14.00	356	21.00	533	22.00	559	6.16	74	28.79	29.44
	2500	37	14.00	356	27.00	686	25.00	635	5.61	105	31.84	32.33
	3200	47	14.00	356	27.00	686	25.00	635	4.1	126	41.93	42.13
Copper 5000 and 15000	1200	34	14.00	356	27.00	686	25.00	635	15.09	65	56.5	58.48
	1600	41	14.00	356	27.00	686	25.00	635	8.5	65	54.37	55.03
	2000	55	14.00	356	30.00	762	27.00	686	5.79	70	51.2	51.53
	2500	64	14.00	356	36.00	914	30.00	762	4.71	88	48.76	48.98
	3000	85	14.00	356	36.00	914	30.00	762	4.03	109	42.88	43.07
	4000	125	14.00	356	36.00	914	30.00	762	3.47	166	41.93	42.07
	5000	143	24.00	610	42.00	1067	33.00	838	2.78	209	42.54	42.63
	6000	162	28.00	711	42.00	1067	33.00	838	2.41	260	24.76	24.88
Alumi-num 5000 and 15000	1200	30	14.00	356	27.00	686	25.00	635	13.41	58	54.37	56
	1600	34	14.00	356	30.00	762	27.00	686	8.76	67	51.2	51.95
	2000	41	14.00	356	36.00	914	30.00	762	6.16	74	48.32	48.71
	2500	44	14.00	356	30.00	762	27.00	686	5.68	107	42.52	42.89
	3000	55	14.00	356	36.00	914	30.00	762	4.32	117	41.93	42.15
Copper 38000	600	84	24.00	610	51.00	1295	37.00	940	15.44	17	76.97	78.5
	1200	84	24.00	610	51.00	1295	37.00	940	15.44	67	76.97	78.5
	1600	89	24.00	610	51.00	1295	37.00	940	10.76	83	68.89	69.73
	2000	93	24.00	610	51.00	1295	37.00	940	8.37	100	62.93	63.48
	2500	111	24.00	610	51.00	1295	37.00	940	4.68	88	53.83	54.03
	3000	120	24.00	610	51.00	1295	37.00	940	3.99	108	53.39	53.54
Alumi-num 38000	600	78	24.00	610	51.00	1295	37.00	940	25.46	27	76.97	81.07
	1200	79	24.00	610	51.00	1295	37.00	940	17.23	74	68.89	71.01
	1600	81	24.00	610	51.00	1295	37.00	940	13.41	58	68.06	69.36
	2000	82	24.00	610	51.00	1295	37.00	940	11.33	136	62.28	63.3

Voltage and Material	Ampere Rating	Wt (Lb)	Dimensions						Resistance Microhms Per Phase Per Foot	Watt Loss Per 3-Phase Foot	Reac-tance Microhms Per Foot	Impe-dance Microhms Per Foot
			D		E		F					
			IN	mm	IN	mm	IN	mm				
Copper 600	1200	29	11.38	289	15.00	381	48.00	1219	10.76	46	44.29	45.58
	1600	33	11.38	289	15.00	381	48.00	1219	8.5	65	43.46	44.28
	2000	47	12.38	314	16.00	406	48.00	1219	5.79	70	37.05	37.5
	2500	54	14.38	365	18.00	457	48.00	1219	4.71	88	29.23	29.61
	3200	75	14.38	365	18.00	457	60.00	1524	3.91	120	31.84	32.08
	4000	111	14.38	365	18.00	457	60.00	1524	3.47	166	41.93	42.07
	5000	131	19.38	492	23.00	584	60.00	1524	2.78	209	42.54	42.63
6000	147	21.38	543	25.00	635	60.00	1524	2.41	260	24.76	24.88	
Alumi-num 600	1200	21	11.38	289	15.00	381	48.00	1219	13.41	58	43.46	45.48
	1600	26	12.38	314	16.00	406	48.00	1219	8.76	67	37.05	38.07
	2000	32	14.38	365	18.00	457	48.00	1219	6.16	74	28.79	29.44
	2500	37	14.38	365	18.00	457	60.00	1524	5.61	105	31.84	32.33
	3200	47	14.38	365	18.00	457	60.00	1524	4.1	126	41.93	42.13
Copper 5000 and 15000	1200	34	14.38	365	18.00	457	60.00	1524	15.09	65	56.5	58.48
	1600	41	14.38	365	18.00	457	60.00	1524	8.5	65	54.37	55.03
	2000	55	14.38	365	18.00	457	60.00	1524	5.79	70	51.2	51.53
	2500	64	14.38	365	18.00	457	60.00	1524	4.71	88	48.76	48.98
	3000	85	14.38	365	18.00	457	60.00	1524	4.03	109	42.88	43.07
	4000	125	14.38	365	18.00	457	60.00	1524	3.47	166	41.93	42.07
	5000	143	19.38	492	23.00	584	60.00	1524	2.78	209	42.54	42.63
	6000	162	21.38	543	25.00	635	60.00	1524	2.41	260	24.76	24.88
Alumi-num 5000 and 15000	1200	30	14.38	365	18.00	457	60.00	1524	13.41	58	54.37	56
	1600	34	14.38	365	18.00	457	60.00	1524	8.76	67	51.2	51.95
	2000	41	14.38	365	18.00	457	60.00	1524	6.16	74	48.32	48.71
	2500	44	14.38	365	18.00	457	60.00	1524	5.68	107	42.52	42.89
	3000	55	14.38	365	18.00	457	60.00	1524	4.32	117	41.93	42.15
Copper 38000	600	84	24.00	610	23.00	584	84.00	2134	15.44	17	76.97	78.5
	1200	84	24.00	610	23.00	584	84.00	2134	15.44	67	76.97	78.5
	1600	89	24.00	610	23.00	584	84.00	2134	10.76	83	68.89	69.73
	2000	93	24.00	610	23.00	584	84.00	2134	8.37	100	62.93	63.48
	2500	111	24.00	610	23.00	584	84.00	2134	4.68	88	53.83	54.03
	3000	120	24.00	610	23.00	584	84.00	2134	3.99	108	53.39	53.54
Alumi-num 38000	600	78	24.00	610	23.00	584	84.00	2134	25.46	27	76.97	81.07
	1200	79	24.00	610	23.00	584	84.00	2134	17.23	74	68.89	71.01
	1600	81	24.00	610	23.00	584	84.00	2134	13.41	58	68.06	69.36
	2000	82	24.00	610	23.00	584	84.00	2134	11.33	136	62.28	63.3

Voltage and Material	Ampere Rating	Wt (Lb)	Dimensions				Resistance Microhms Per Phase Per Foot	Watt Loss Per 3-Phase Foot	Reactance Microhms Per Foot	Impedance Microhms Per Foot
			G		H					
			IN	mm	IN	mm				
Copper 600	1200	29	22.00	559	18.25	464	10.76	46	44.29	45.58
	1600	33	22.00	559	18.25	464	8.5	65	43.46	44.28
	2000	47	22.00	559	19.25	489	5.79	70	37.05	37.5
	2500	54	22.00	559	21.25	540	4.71	88	29.23	29.61
	3200	75	25.00	635	24.25	616	3.91	120	31.84	32.08
	4000	111	30.00	762	28.75	730	3.47	166	41.93	42.07
	5000	131	33.00	838	36.75	933	2.78	209	42.54	42.63
	6000	147	33.00	838	38.75	984	2.41	260	24.76	24.88
Aluminum 600	1200	21	22.00	559	18.25	464	13.41	58	43.46	45.48
	1600	26	22.00	559	19.25	489	8.76	67	37.05	38.07
	2000	32	22.00	559	21.25	540	6.16	74	28.79	29.44
	2500	37	25.00	635	24.25	616	5.61	105	31.84	32.33
	3200	47	25.00	635	24.25	616	4.1	126	41.93	42.13
Copper 5000 and 15000	1200	34	25.00	559	24.25	616	15.09	65	56.5	58.48
	1600	41	25.00	559	24.25	616	8.5	65	54.37	55.03
	2000	55	27.00	686	25.75	654	5.79	70	51.2	51.53
	2500	64	30.00	762	28.75	730	4.71	88	48.76	48.98
	3000	85	30.00	762	28.75	730	4.03	109	42.88	43.07
	4000	125	30.00	762	28.75	730	3.47	166	41.93	42.07
	5000	143	33.00	838	36.75	933	2.78	209	42.54	42.63
	6000	162	33.00	838	38.75	984	2.41	260	24.76	24.88
Aluminum 5000 and 15000	1200	30	25.00	559	24.25	616	13.41	58	54.37	56
	1600	34	27.00	686	25.75	654	8.76	67	51.2	51.95
	2000	41	30.00	762	28.75	730	6.16	74	48.32	48.71
	2500	44	27.00	686	25.75	654	5.68	107	42.52	42.89
	3000	55	30.00	762	28.75	730	4.32	117	41.93	42.15
Copper 38000	600	84	37.00	940	45.88	1165	15.44	17	76.97	78.5
	1200	84	37.00	940	45.88	1165	15.44	67	76.97	78.5
	1600	89	37.00	940	45.88	1165	10.76	83	68.89	69.73
	2000	93	37.00	940	45.88	1165	8.37	100	62.93	63.48
	2500	111	37.00	940	45.88	1165	4.68	88	53.83	54.03
	3000	120	37.00	940	45.88	1165	3.99	108	53.39	53.54
Aluminum 38000	600	78	37.00	940	45.88	1165	25.46	27	76.97	81.07
	1200	79	37.00	940	45.88	1165	17.23	74	68.89	71.01
	1600	81	37.00	940	45.88	1165	13.41	58	68.06	69.36
	2000	82	37.00	940	45.88	1165	11.33	136	62.28	63.3

Voltage and Material	Ampere Rating	Wt (Lb)	Dimensions				Resistance Microhms Per Phase Per Foot	Watt Loss Per 3-Phase Foot	Reactance Microhms Per Foot	Impedance Microhms Per Foot
			I		J					
			IN	mm	IN	mm				
Copper 600	1200	29	28.00	711	17.00	432	10.76	46	44.29	45.58
	1600	33	28.00	711	17.00	432	8.5	65	43.46	44.28
	2000	47	30.00	762	17.00	432	5.79	70	37.05	37.5
	2500	54	34.00	864	17.00	432	4.71	88	29.23	29.61
	3200	75	34.00	864	20.00	508	3.91	120	31.84	32.08
	4000	111	34.00	864	25.00	635	3.47	166	41.93	42.07
	5000	131	44.00	1118	28.00	711	2.78	209	42.54	42.63
	6000	147	48.00	1219	28.00	711	2.41	260	24.76	24.88
Aluminum 600	1200	21	28.00	711	17.00	432	13.41	58	43.46	45.48
	1600	26	30.00	762	17.00	432	8.76	67	37.05	38.07
	2000	32	34.00	864	17.00	432	6.16	74	28.79	29.44
	2500	37	34.00	864	20.00	508	5.61	105	31.84	32.33
	3200	47	34.00	864	20.00	508	4.1	126	41.93	42.13
Copper 5000 and 15000	1200	34	34.00	864	20.00	508	15.09	65	56.5	58.48
	1600	41	34.00	864	20.00	508	8.5	65	54.37	55.03
	2000	55	34.00	864	22.00	589	5.79	70	51.2	51.53
	2500	64	34.00	864	25.00	635	4.71	88	48.76	48.98
	3000	85	34.00	864	25.00	635	4.03	109	42.88	43.07
	4000	125	34.00	864	25.00	635	3.47	166	41.93	42.07
	5000	143	44.00	1118	28.00	711	2.78	209	42.54	42.63
	6000	162	48.00	1219	28.00	711	2.41	260	24.76	24.88
Aluminum 5000 and 15000	1200	30	34.00	864	20.00	508	13.41	58	54.37	56
	1600	34	34.00	864	22.00	589	8.76	67	51.2	51.95
	2000	41	34.00	864	25.00	635	6.16	74	48.32	48.71
	2500	44	34.00	864	22.00	589	5.68	107	42.52	42.89
	3000	55	34.00	864	25.00	635	4.32	117	41.93	42.15
Copper 38000	600	84	48.00	1219	33.00	838	15.44	17	76.97	78.5
	1200	84	48.00	1219	33.00	838	15.44	67	76.97	78.5
	1600	89	48.00	1219	33.00	838	10.76	83	68.89	69.73
	2000	93	48.00	1219	33.00	838	8.37	100	62.93	63.48
	2500	111	48.00	1219	33.00	838	4.68	88	53.83	54.03
	3000	120	48.00	1219	33.00	838	3.99	108	53.39	53.54
Aluminum 38000	600	78	48.00	1219	33.00	838	25.46	27	76.97	81.07
	1200	79	48.00	1219	33.00	838	17.23	74	68.89	71.01
	1600	81	48.00	1219	33.00	838	13.41	58	68.06	69.36
	2000	82	48.00	1219	33.00	838	11.33	136	62.28	63.3

NOTE:

1. Ampere ratings are based on a maximum conductor rise of 149°F (65°C) in a 104°F (40°C) ambient in compliance with the temperature limits of ANSI/IEEE C37.23.
2. Resistance, watt loss, and impedance values are calculated using a maximum conductor temperature rise of 149°F (65°C) and a normal 68°F (20°C) ambient.
3. Weights and dimensions are for standard 3-phase, totally enclosed, non-ventilated aluminum enclosures. Other bus bar sizes and arrangements are available to meet the purchaser's required electrical characteristics and space considerations. Use of steel housing could require a derating of the busway. Consult your local Schneider Electric representative for more information.

Power-Zone Bus Standard Construction

- Bus Bar Material: copper and aluminum
- Bus Bar Plating:
 - Copper-silver (contact)
 - Aluminum-tin (contact)
- Insulation:
 - 600 V Uninsulated; epoxy optional
 - 5 kV, 15 kV, or 38 kV fluidized bed epoxy
- Bus Bar Supports: 5 kV, 15 kV Glass-reinforced polyester standard; porcelain optional; 38 kV porcelain standard
- Housing Material: aluminum standard (steel optional)

Bus Supports

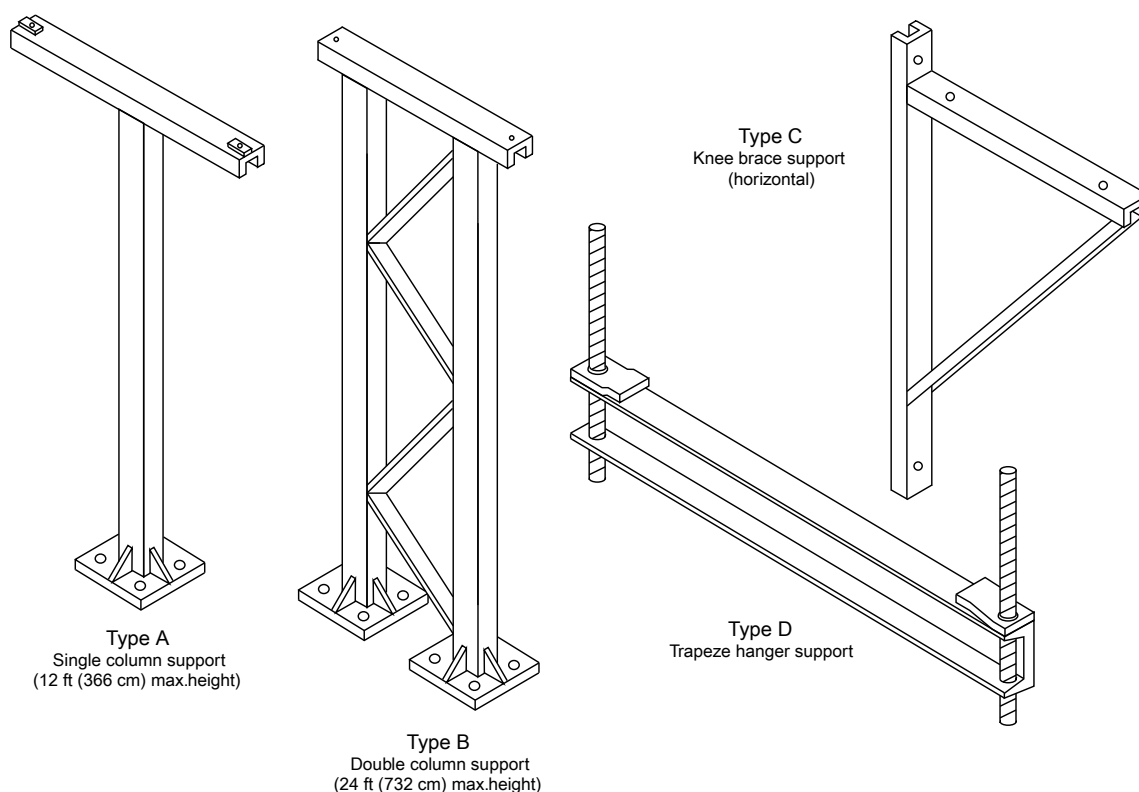
Indoor trapeze hangers, outdoor single- or double-column supports, and wall-mounted knee braces are available. Outdoor structural steel supports are hot-dipped galvanized after fabrication or primed and painted after fabrication, as required. Indoor supports are primed and painted to match the bus housing color.

Power-Zone bus is designed and constructed for unbraced spans of 12–20 ft (366–610 cm). Consult your local Schneider Electric representative for longer unbraced spans.

Recommended support heights, spacing, and locations are determined by the factory and shown on the bus drawings. Information on moments, reactions, and foundation loading (due to rain, wind, and snow) can be furnished upon request.

The bus assemblies are mounted to their respective supports by means of hold-down clip angles that permit longitudinal movement of the bus duct to eliminate stresses from thermal expansion and contraction.

Figure 142 - Bus Supports



Layout and Instructions

Fitting Description

- Non-segregated phase bus
- 600 V through 15 kV (1200–5000 A)
- Aluminum, steel, or stainless steel housing
- Aluminum or copper bus bars
- Insulated with fluidized bed epoxy (5 kV–38 kV)
- Complete line of fittings provides for any configuration
- Indoor trapeze and outdoor column supports
- For use in utilities, industrial, and commercial facilities

Power-Zone bus is custom designed, manufactured, and tested per ANSI Standard C37.23 to meet customer specifications. It is a completely coordinated package of equipment with all the auxiliary material and supports for connecting transformers, switchgear, MCCs, and motors in all types of utility, industrial, and commercial facilities.

Transformer Connection

This type of termination should be used whenever the bus is connecting to a transformer, motor, switch, or any connection where the bus bars are connecting to porcelain-mounted equipment terminals. It will include the same components as a flanged end plus one set of flexible braid-type connectors and a terminal box (if required.)

Generator Connection

All "Transformer Connection" information above applies to general connection with the addition that enclosure bellows should be included when the busway attaches to a generator.

Bushing Box (Weatherhead)

A bushing box is used on a service entrance run where the cable connection to the bus must be made via porcelain bushings. It is comprised of the same components as a transformer connection plus three (3) through-stud type apparatus bushings, bushing stud connectors (lug pads), and a strip heater.

Ground Bus

The bus housing is designed and constructed to provide an electrically continuous ground path. The side rails of the bus housings are capable of carrying the full-rated phase current continuously and, under short circuit conditions, are capable of carrying fault current for three (3) seconds. Consequently, a separate ground bus is not necessary unless specified.

Wall Entrance Seal

A wall entrance seal consists of an external wall frame and a vapor barrier that prevents air or vapor from passing from one room to another or from outdoors to indoors. One-, two-, and three-hour fire ratings are optional.

Equipment Entrance Seal

An equipment entrance seal should be used whenever a barrier is required to prevent the passing of flame and or gasses between the bus housing and the terminating equipment.

Expansion Fittings

An expansion fitting is used to counteract the strain placed on the bus due to the expansion and contraction of the building or the bus itself. One should be used whenever the bus run crosses a building expansion joint and whenever a straight run of bus exceeds 80 feet (2438 cm).

Housing Bellows (Misalignment) Collar

Required at terminations or wall penetrations when equipment vibrations or seismic forces cause damage to the bus. It can also be used to adjust for the “settling” of terminating equipment after installation.

Flanged Ends

A flanged end is used to terminate the bus into switchgear, motor control centers, switchboards, or any rigid bus-to-bus connection. It consists of a gasketed equipment flange, up to 1 foot (30 cm) of 3Ø-3W conductor (3Ø4W as applicable), necessary insulation tapes, and required bolting hardware. If additional conductor length is required, contact your local Schneider Electric representative.

Cable Tap Box

A cable tap box includes a gasketed and accessible termination box, lugs, necessary insulation tape (between bus and lugs only), and required bolting hardware. Lug sizes and quantity should be specified by purchaser.

Supporting Steel (Hangers)

Supports should be added on the basis of one for every 12 to 15 feet (366 to 457 cm) of busway. Indoor supports are a trapeze-type hanger while outdoor supports are a single- or double-column type support. Consult your local Schneider Electric representative for other type supports.

Hazardous Locations

Consult your local Schneider Electric representative for bus runs that are to be installed in a location that is classified as hazardous.

General Layout Instruction

1. Prepare a layout sketch (if applicable) of the run(s) showing all dimensions in feet and inches, all wall and floor locations, and thicknesses and all fittings such as elbows, tees, flanged ends, cable tap boxes, expansion fittings, transformer connections, etc.
2. Add all dimensions together using the center line of the bus and adjust the total to the higher whole foot.
3. Contact your local Schneider Electric representative for assistance in laying out or pricing this product.

Bus Footage

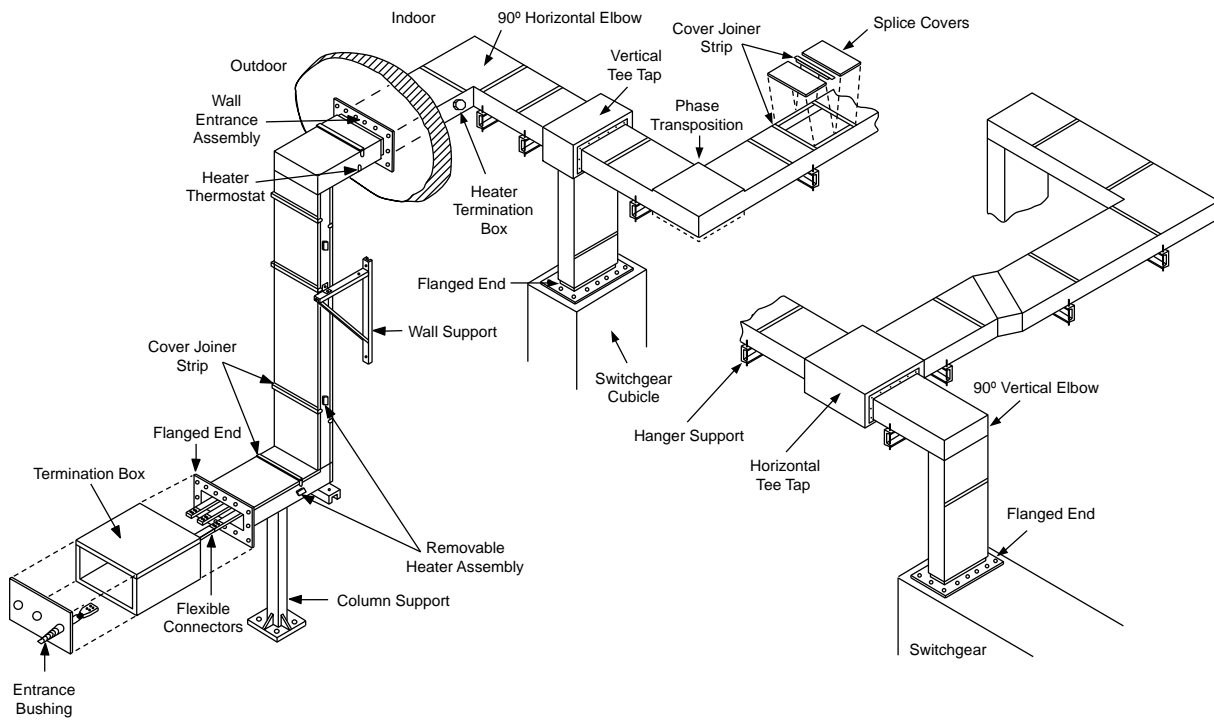
The per foot price of the bus can be a combination of several prices depending on the job specifications and requirements. Some of these options are special momentary rating, special housing material and/or finish, special conductor supports, heaters and thermostats, and ground bus.

Weatherproof Bus

Weatherproof bus is priced the same as indoor. In addition, all weatherproof runs must be equipped with strip heaters to eliminate condensation and, if applicable, a thermostat. A heater should be priced for every 7 feet (213 cm) of bus. No more than 20 heaters can be controlled by one thermostat. Also, each bus run should have its own thermostat. The heaters operate at 120 V.

Typical Layout

Figure 143 - Typical Layout Example



Schneider Electric
800 Federal Street
Andover, MA 01810
USA

888-778-2733

www.se.com

As standards, specifications, and design change from time to time,
please ask for confirmation of the information given in this publication.

© 1986 – 2022 Schneider Electric. All rights reserved.

5600CT9101