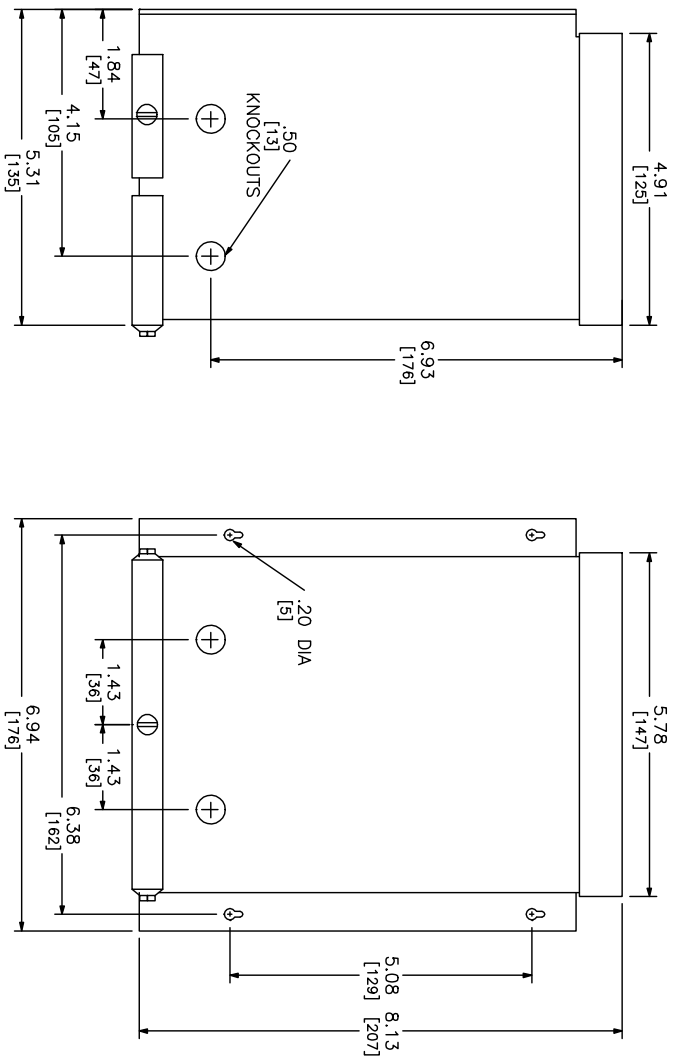


GENERAL-PURPOSE TRANSFORMER
1.0 KVA 1.0 Ø 60HZ
120/240V SECONDARY



SEISMIC QUALIFICATION:
 TO BE COMPLIANT WITH THE SEISMIC REQUIREMENTS OF ASCE/SEI7, THIS UNIT HAS BEEN QUALIFIED BY SHAKE TABLE TESTING THROUGH SELF CERTIFICATION TO ICC-ES AC156. THE ENCLOSURE SHOWN ABOVE IS 7A. CONTACT YOUR LOCAL SCHNEIDER ELECTRIC/SQUARE D REPRESENTATIVE FOR RELATED QUESTIONS.

NOTES:
 UL / CUL LISTED
 NEMA 3R NON-VENTILATED ENCLOSURE
 COPPER WOUND
 185°C INSULATION SYSTEM FOR 115°C RISE
 EPOXY-RESIN ENCAPSULATED

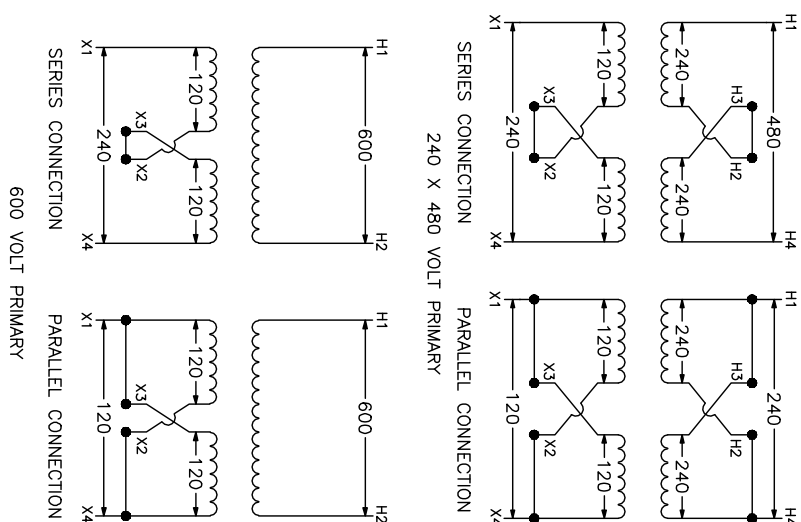
DECEMBER 2010

GENERAL-PURPOSE TRANSFORMER
 1.0 KVA 1PH 60HZ
 120/240V SECONDARY

DWG# 3579
 NO.

SQUARE D
 by Schneider Electric

3579



DUAL DIMENSIONS: INCHES
 MILLIMETERS

KVA	CATALOG NUMBERS		TEMP. RISE	SOUND LEVEL	WGT LBS
	240 X 480 PRIMARY	600 PRIMARY			
1.0	1S1F	1S51F	115°C	40 DB	21.2