

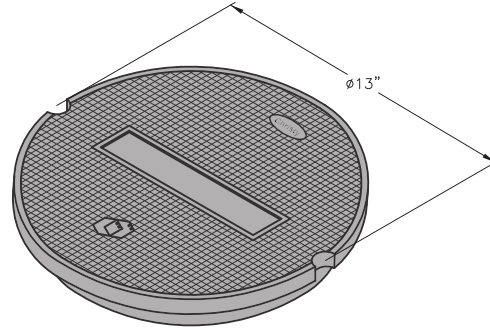
G12

CHRISTY®

COVER

| | |
|--------------------------|--------------------------|
| Style: | Flush |
| Material: | Cast Iron |
| Model: | 13" Dia. |
| Weight: | 24 lbs |
| Options: | Special Markings |
| Surface: | Skid Resistant & Marked* |
| Coefficient of Friction: | >0.6 ASTM 1028 |
| Performance: | H20, AASHTO |

Cover comes standard with permanent markings for manufacturer, load rating, model size and manufacturing location.

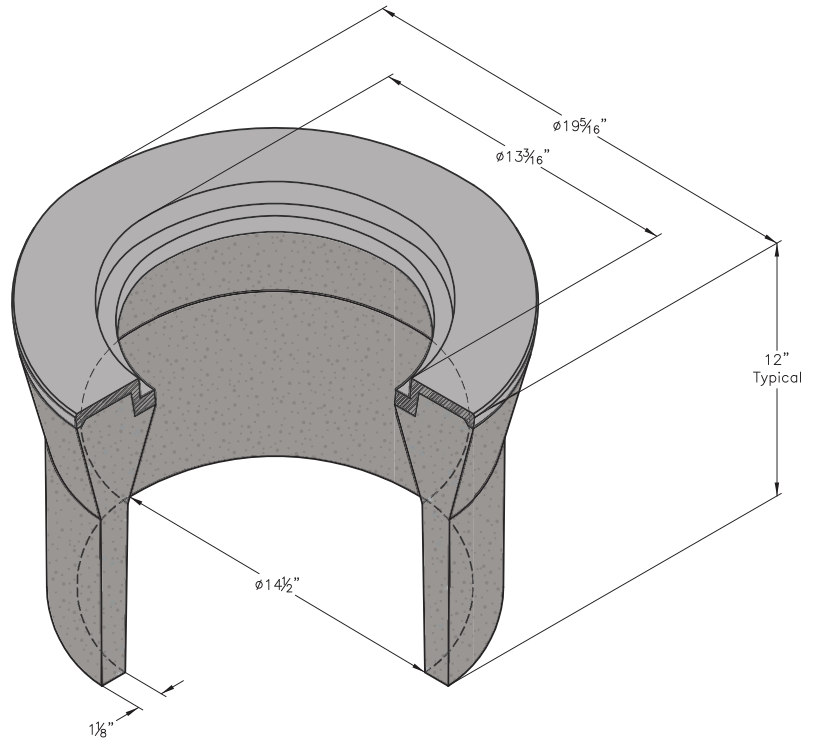


BODY

| | |
|--------------|--------------------------------------|
| Material: | Reinforced Concrete with Steel Frame |
| Model: | 20" Dia. |
| Weight: | 106 lbs |
| Wall Type: | Straight |
| Mouseholes: | 0 |
| Performance: | H20, AASHTO |

GRADE RING

| | |
|----------------|---|
| Material: | Cast Iron |
| Grade Options: | 1" Height 1-1/2" Height 2" Height |



LOAD RATING / NOTES



TRAFFIC RATED
AASHTO H20

Actual load rating is determined by the box and cover combination.

WARNING: Cancer and Reproductive Harm - www.P65Warnings.ca.gov

All information contained on this sheet is current at the time of publication.
Oldcastle reserves the right to discontinue or update product information without notice.

Revision 05/05/21
© 2021 Oldcastle Infrastructure