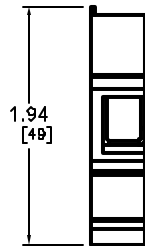
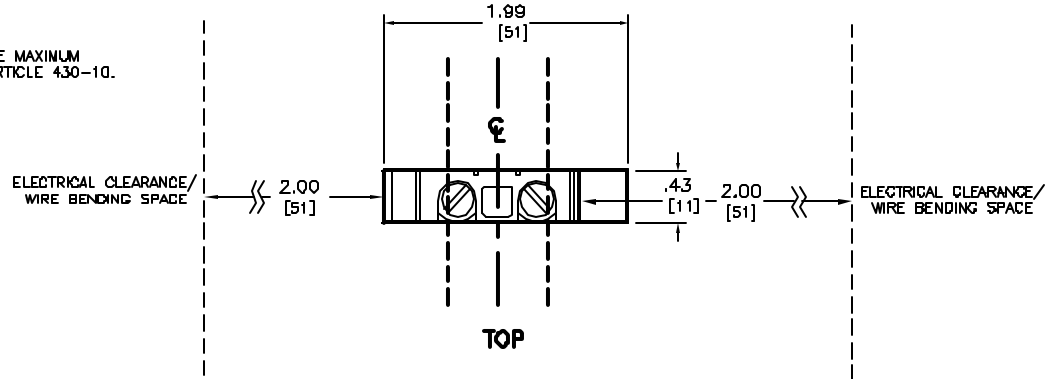
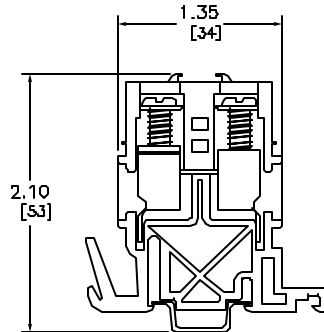


WIRE BENDING SPACE IS BASED UPON THE MAXIMUM WIRE SIZE OF THE TERMINAL, AND NEC ARTICLE 430-10.



FRONT



RIGHT

Catalog Number: 80B0-GC6  
 Ratings: 60DV, 85A  
 UL File/CDN: E60816/XCFR2  
 CSA File/Class: LR62144/8228 01  
 Meets Standards: -  
 Weight: 0.04 lbs.  
 Wire Size: #18-#4 AWG  
 Terminal torque: 32-35 lb./in.  
 Mounting Hwd.: TERMINAL MOUNTING CHANNEL, 35mm DIN RAIL

DUAL DIMENSIONS: INCHES  
 MILLIMETERS

TERMINAL BLOCKS (TYPE G) (NEMA)  
 CLASS 80B0 TYPE GC6



DWG# E0801601-01  
 NO.