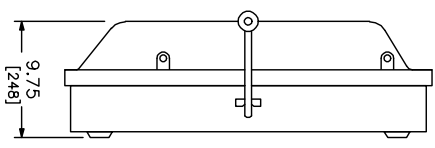
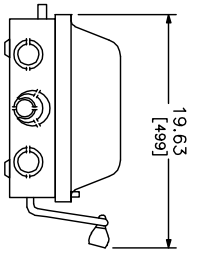
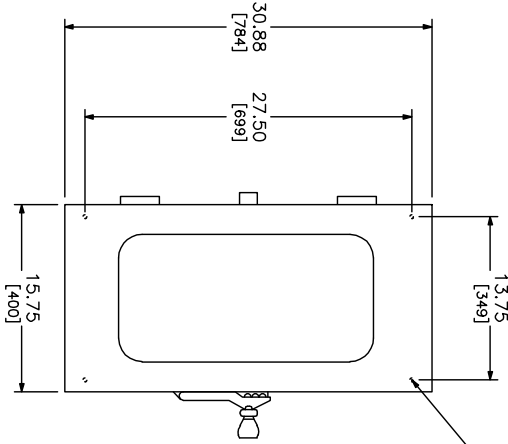
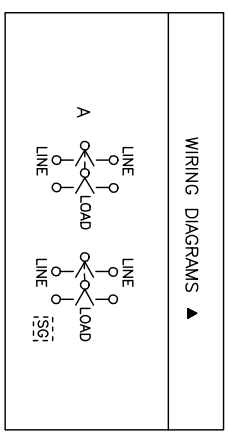


13.75 [349]
 15.75 [400]
 27.50 [699]
 30.88 [784]
 .32 DIA TYP [8] (4 HOLES)



NEMA TYPE 1 ILLUSTRATED



TERMINAL LUGS			
AMPERES	MAX. WIRE	MIN. WIRE	TYPE
200	300 KCMIL	# 6 AWG	AL/CU

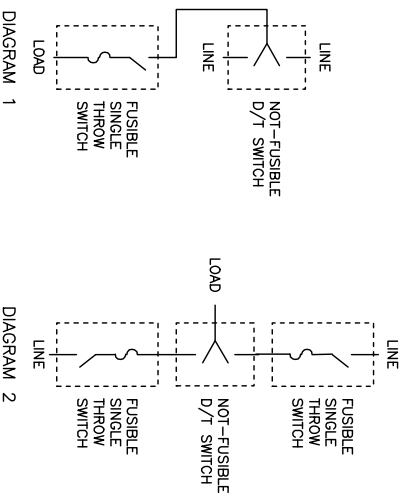


DIAGRAM 1 AND 2 ILLUSTRATE METHODS OF APPLYING FUSES TO DOUBLE THROW SWITCHES WHEN REQUIRED.

DUAL DIMENSIONS: INCHES MILLIMETERS

CATALOG NUMBER	VOLTAGE RATINGS	WIRING DIAG.	HORSEPOWER RATINGS		KNOCKOUTS
			240VAC	480VAC	
82254 ■	240VAC;250VDC	A	15 - 10	-	(1) 1.25,1.50,2.00,2.50 (2) 1.50,2.00 (2) 1.25,1.50,2.00,2.50

NOTES:
 FINISH - GRAY BAKED ENAMEL
 UL LISTED - FILE E-2875 CSA CERTIFIED - FILE # UL-89067
 SUITABLE FOR USE AS SERVICE EQUIPMENT IN THE U.S.
 SHORT CIRCUIT CURRENT RATING:
 ■ 10,000 AMPERE WHEN PROTECTED BY CLASS H OR K FUSES.
 ■ 82,000 AMPERE WHEN PROTECTED BY CLASS J OR R FUSES.
 ▲SERVICE GROUND NOT SUPPLIED. ORDER SEPARATELY WHEN REQUIRED.

DOUBLE THROW SAFETY SWITCHES
 200 AMPERE
 ENCLOSURE - NEMA TYPE 1 GENERAL PURPOSE



DWG # 2193
 NO.