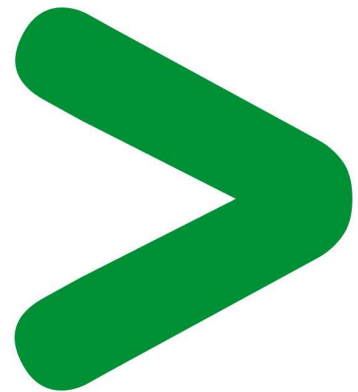


# Product End-of-Life Instructions

TeSys LC1 F330-1250



# Product End-of-Life Instructions – EoLI

## Product overview

**Product Range:** TeSys LC1 F330-1250

**Marketing Model/Name:**

GDP:	0F9Z	0FA0	0FE2	0FGB	0FGC	0FQK	0FQL	0FQP						
0FUF	0FUG	0FUR	0FVY	0WEG	0WEH	0WEJ	0WEK	1233	1235	1862	1863	1866		
1867	1871	1874	1875	1889	1950	2100	2107	2490	2491	2492	2493	2564		
2565	2677	2687	2688	2740	2750	2981	4269	4270	4278	4793	4857	4859		
4891	5210	5211	5212	5213	5214	5216	5218	5219	5330	5346	5347	5386		
5687	5935	6029	6076	6077	6078	6079	6080	6089	6095	6096	6097	6098		
6277	7652	7653	7655	7657	8334	8335	8339							

**Size:** H x L x D in mm = **264 x 309 x 255**

**Weight** in g:

**Between 7918 and 40818**

## Purpose

The product family must be disposed according to the legislation of the country. This document is intended for use by end of life recyclers or treatment facilities. It provides the basic information to assure an appropriate end of life treatment for the components and materials of the product.

## Note:

This product family is in the scope of European Union directive 2012/19/EU on Waste Electrical and Electronic Equipment (WEEE).

## Operations recommended for the end of life treatment

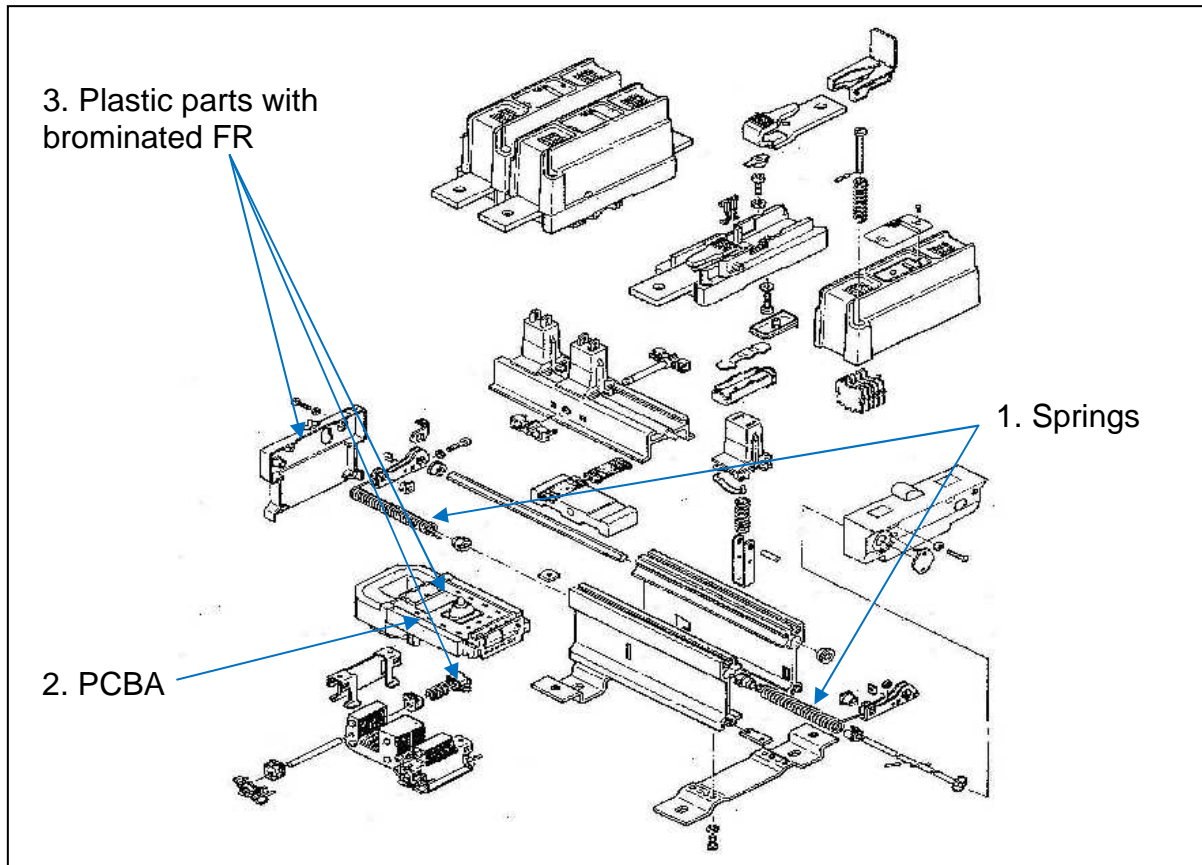
There are several steps to process the products at the end of life so as to recover components, materials or energy :

**Reuse → Separation for special treatment → Other dismantling → Shredding**

**CAUTION:** The product contains 1 printed circuit board and plastic parts with brominated FR which are recommended to be treated separately during the End of Life operations. LC1F630 series contain springs which can be charged of energy. Be careful of these components ejection when operating.

## Product End-of-Life Instructions – EoLI

The components of the products that optimize the recycling performances are listed, identified and located hereunder.



Recommendation	Number on drawing	Components	Weight (in g)	Comment
Operating hazards	1	Springs	156.4	
Special treatment	2	PCBA	72.2	
	3	Plastic parts with brominated FR	82.3	

EoLI achieved with Schneider-Electric TT03 V5 procedure

### Schneider Electric Industries SAS

35, rue Joseph Monier  
 CS 30323  
 F- 92506 Rueil Malmaison Cedex  
 RCS Nanterre 954 503 439  
 Capital social 896 313 776 €

[www.schneider-electric.com](http://www.schneider-electric.com)