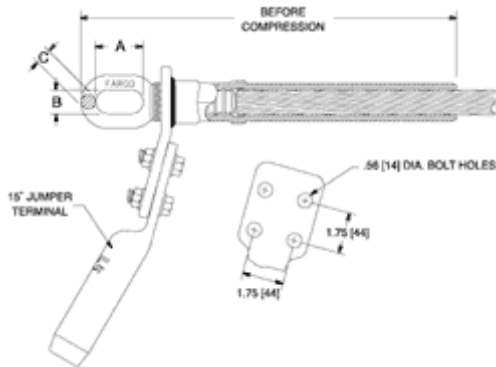




**Product Datasheet**

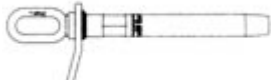

**ANDERSON FARGO**

**B010909 -- Compression Deadend**



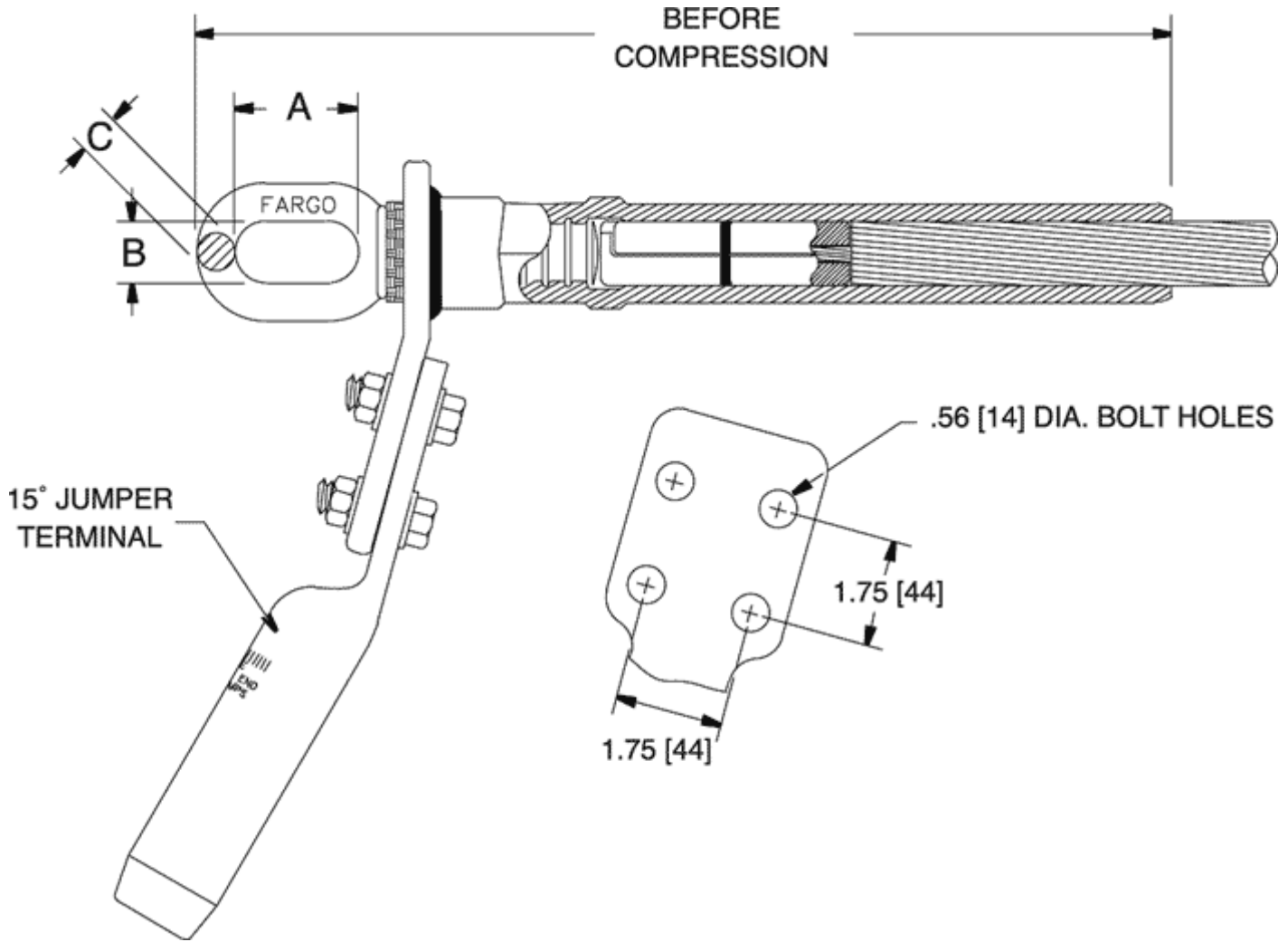
Compression Deadend, Uni-Grip, Single Tongue, Vertical Eye, for AAAC, ACAR, Dia. Range 0.766 - 0.855, With Terminal

**Product Specifications**

<p><b>Category Image</b></p>	 <p><b>Compression Deadends</b></p> <p>Eye Type Aluminum UniGrip® (One Die) AAC, AAAC, ACAR &amp; ACSR Conductor</p>
<p><b>Series Image (Comp Eye)</b></p>	 <p><b>B01/B03 Series</b> Compression Dead End Eye Type, Single Tongue Uni-Grip® (One Die) Full Tension AAAC &amp; ACAR Conductor</p>
<p><b>Terminal Option</b></p>	<p>With</p>
<p><b>Style</b></p>	<p>Uni-Grip, Single Tongue, Vertical Eye</p>
<p><b>Type</b></p>	<p>Compression</p>
<p><b>Material</b></p>	<p>Aluminum/Steel</p>
<p><b>Compression Method</b></p>	<p>Uni-Grip (single die system)</p>
<p><b>Die Size</b></p>	<p>09CD</p>
<p><b>Minimum Press (Tons)</b></p>	<p>12</p>
<p><b>Voltage Application</b></p>	<p>Std</p>
<p><b>Inhibitor Loaded</b></p>	<p>Yes</p>
<p><b>Body Material</b></p>	<p>Seamless Extruded Aluminum Alloy</p>
<p><b>Eye Material</b></p>	<p>Galvanized Forged Steel</p>
<p><b>Terminal Material</b></p>	<p>Seamless Extruded Aluminum Alloy</p>
<p><b>Hardware Material</b></p>	<p>Aluminum Alloy</p>

<b>Length before Compression</b>	14.0 in (356 mm)
<b>Dimension A</b>	2.0 in (50 mm)
<b>Dimension B</b>	1.0 in (25 mm)
<b>Dimension C</b>	.52 in (13 mm)
<b>Pad Width</b>	2.0 in (51 mm)
<b>Bolt Holes</b>	2
<b>Conductor Range Minimum - Maximum</b>	AAAC 466.3 kcmil str (19) ACAR 503.6 kcmil (15/4)
<b>Minimum Conductor Diameter</b>	0.766
<b>Maximum Conductor Diameter</b>	0.855
<b>Weight / Ea.</b>	0.98 lbs
<b>Standard Package</b>	1
<b>UPC Code</b>	09635934906

**Compressed Product Number**  
B010909



Dimensions



[Warranty Info](#) | [Trademarks](#) | [Terms of Use](#)

*All contents Copyright © 2007 Hubbell Power Systems, Inc. All rights reserved.*

NOTE: Because Hubbell has a policy of continuous product improvement, we reserve the right to change design and specifications without notice.