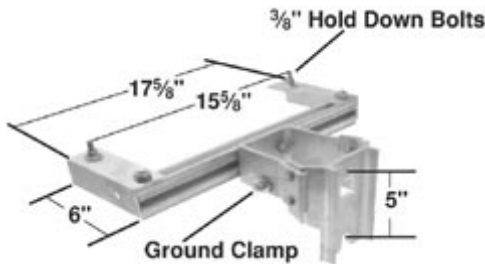




Product Datasheet

CHANCE

CCR1 -- RACK, CAPACITOR



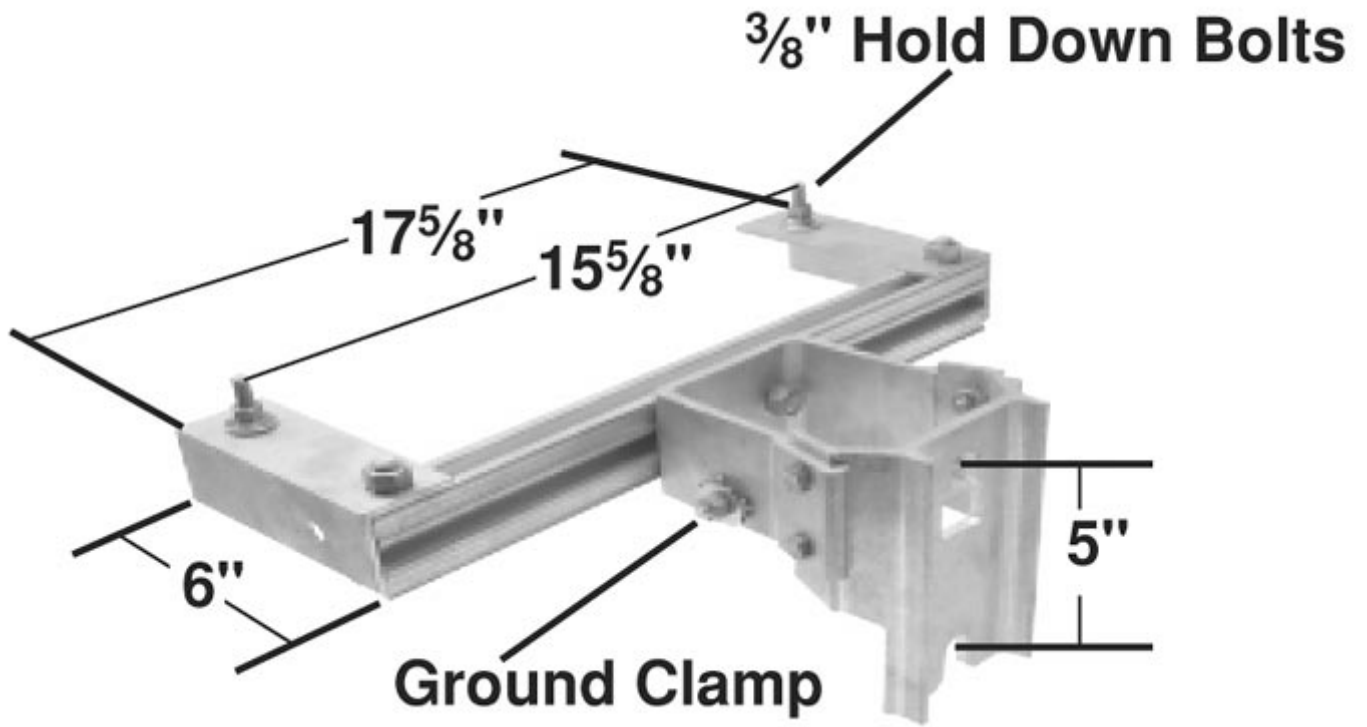
Aluminum Capacitor Rack, pole mounted, for mounting one capacitor with 15 5/8" lug spacing weighing up to 80 lbs. each. Includes two pre-spaced 3/8" hold down bolts, flat washer, lockwasher and nut per capacitor mounting position and a ground wire clamp secured with 3/8" bolt. Supplied factory assembled and ready for installation of capacitor.

Product Specifications

Product Categories	Equipment Mounting Brackets
Product Group	Rack, Capacitor
Product Type	1 Capacitor
Material	Aluminum
Mounting Bolt Diameter	5/8" Bolt & Lag Screw
Hole Spacing	5"
Return Type	Non-Standard
UPC Code	096359354031
Standard Package	1
Unit of Measure	EA
Min Order Qty	1
Pallet Quantity	24
Weight / Ea.	7.84 lbs
Webpage	Click HERE to view webpage
Drawing	Click HERE to view drawing.

Compressed Product Number

CCR1



[Catalog Home](#)



[Warranty Info](#) | [Trademarks](#) | [Terms of Use](#)

All contents Copyright © 2007 Hubbell Power Systems, Inc. All rights reserved.

NOTE: Because Hubbell has a policy of continuous product improvement, we reserve the right to change design and specifications without notice.