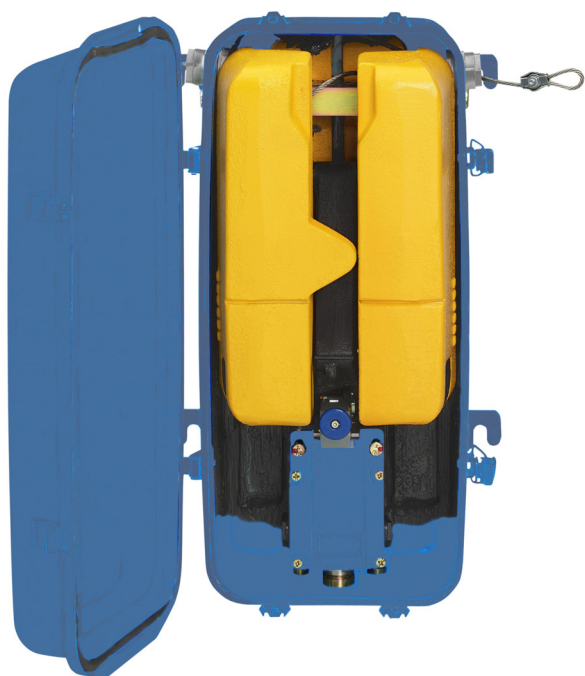


---

# Simple rope pull switches

## Preventa XY2CB

### Catalogue



Simply easy!™



# Simple rope pull switches Preventa XY2CB

---

- **Characteristics**
  - Environment ..... page 2
  - Contact block characteristics ..... page 2
  
- **References**
  - Simple rope pull switches without pilot light ..... page 3
  - Simple rope pull switches with pilot light ..... page 3
  - Separate components and replacement parts ..... page 4
  
- **Dimensions** ..... page 5
  
- **Product reference index** ..... page 6

Environment																																					
Conformity to standards	Products EN/IEC 60947-5-1, CSA C 22-2 n° 14 (with suffix H2)																																				
Product certifications	CSAA 600-Q 600 (with suffix H2)																																				
Protective treatment	Standard version "TC"																																				
	Special version "TH"																																				
Ambient air temperature	For operation - 25...+ 70 °C																																				
	For storage - 40...+ 70 °C																																				
Electric shock protection	Class I conforming to IEC 61140																																				
Degree of protection	Enclosure: IP 22, contact housing: IP 65, conforming to IEC 60529																																				
Mechanical life	10,000 operating cycles																																				
Length of protected zone	≤ 100 metres and ≤ 2 x 100 metres																																				
Distance between cable supports	5 m																																				
Cable entries	See dimensions, page 5.																																				
Contact block characteristics																																					
Rated operational characteristics	AC-15: A 600 or Ue = 600 V, Ie = 1.2 A DC-13: Q 600 or Ue = 600 V, Ie = 0.1 A, conforming to EN/IEC 60947-5-1 Appendix A																																				
Nominal thermal current	10 A																																				
Rated insulation voltage	Ui = 500 V degree of pollution 3 conforming to EN/IEC 60947-1, Ui = 600 V conforming to CSAC22-2 n° 14																																				
Rated impulse withstand voltage	Uimp = 6 kV conforming to EN/IEC 60947-1																																				
Positive operation	NC contact with positive opening operation conforming to EN/IEC 60947-5-1 Section 3																																				
Contact operation	"NC + NC" or "NC + NO" slow break																																				
Resistance across terminals	≤ 25 mΩ conforming to NF C 93-050 method A or EN/IEC 60255-7 category 3																																				
Terminal referencing	Conforming to CENELEC EN 50013																																				
Short-circuit protection	10 A cartridge fuse type gG (gl) conforming to IEC 60269																																				
Rated operational power (Electrical durability)	Conforming to EN/IEC 60947-5-1 Appendix C Utilisation categories AC-15 and DC-13																																				
Operating rate: 3600 operating cycles/hour Load factor: 0,5	<p><b>AC supply</b> ~ 50...60 Hz</p> <p>Power broken in VA (1)</p> <table border="1"> <tr> <td colspan="6">mm Inductive circuit</td> </tr> <tr> <td>Voltage</td> <td>V</td> <td><b>24</b></td> <td><b>48</b></td> <td><b>127</b></td> <td><b>220</b></td> </tr> <tr> <td>mm</td> <td>VA</td> <td>250</td> <td>250</td> <td>500</td> <td>500</td> </tr> </table> <p><b>DC supply</b> ---</p> <p>Power broken in W (1)</p> <table border="1"> <tr> <td colspan="6">mm Inductive circuit</td> </tr> <tr> <td>Voltage</td> <td>V</td> <td><b>24</b></td> <td><b>48</b></td> <td><b>120</b></td> <td></td> </tr> <tr> <td>mm</td> <td>W</td> <td>50</td> <td>100</td> <td>100</td> <td></td> </tr> </table>	mm Inductive circuit						Voltage	V	<b>24</b>	<b>48</b>	<b>127</b>	<b>220</b>	mm	VA	250	250	500	500	mm Inductive circuit						Voltage	V	<b>24</b>	<b>48</b>	<b>120</b>		mm	W	50	100	100	
mm Inductive circuit																																					
Voltage	V	<b>24</b>	<b>48</b>	<b>127</b>	<b>220</b>																																
mm	VA	250	250	500	500																																
mm Inductive circuit																																					
Voltage	V	<b>24</b>	<b>48</b>	<b>120</b>																																	
mm	W	50	100	100																																	
Contact connection	Screw clamp terminals Clamping capacity: min. 1 x 0.5 mm <sup>2</sup> /AWG 20, max. 2 x 1.5 mm <sup>2</sup> /AWG 16. Minimum tightening torque: 0.8 N.m/7.1 lb-in. Maximum tightening torque: 1.2 N.m/10.6 lb-in.																																				

(1) For 1 million operating cycles.

### Simple rope pull switches

(End spring, turnbuckle and cable to be ordered separately) (1)

#### Without pilot light

Length of cable	Colour of enclosure	Reset	Type of contact	Cable anchor point	Reference	Weight	
						kg	
≤ 100 m	Blue	From inside enclosure	1 1	"NC + NO" slow break	Left side	<b>XY2CB10</b> (2)	18.750
					Right side	<b>XY2CB20</b> (2)	18.750
			2 -	"NC + NC" slow break	Left side	<b>XY2CB104</b>	18.750
					Right side	<b>XY2CB204</b>	18.750
≤ 2 x 100 m	Blue	From inside enclosure	1 1	"NC + NO" slow break	Both sides (right or left)	<b>XY2CB30</b> (2)	29.250
				2 -	"NC + NC" slow break	Both sides (right or left)	<b>XY2CB304</b>

#### With pilot light

Length of cable	Colour of enclosure	Reset	Supply voltage	Type of contact	Cable anchor point	Reference	Weight	
							kg	
<b>■ Direct supply</b>								
≤ 100 m	Blue	From inside enclosure	24 V	1 1	"NC + NO" slow break	Left side	<b>XY2CB11</b>	19.550
						Right side	<b>XY2CB21</b>	19.550
			48 V	1 1	"NC + NO" slow break	Left side	<b>XY2CB12</b>	19.550
						Right side	<b>XY2CB22</b>	19.550
≤ 2 x 100 m	Blue	From inside enclosure	24 V	1 1	"NC + NO" slow break	Both sides (right or left)	<b>XY2CB31</b>	25.600
					48 V	1 1	"NC + NO" slow break	Both sides (right or left)
<b>■ Supply via integral transformer (3)</b>								
≤ 100 m	Blue	From inside enclosure	127 V/6 V	1 1	"NC + NO" slow break	Left side	<b>XY2CB13</b>	15.600
						Right side	<b>XY2CB23</b>	15.600
			220 V/6 V	1 1	"NC + NO" slow break	Left side	<b>XY2CB14</b>	15.600
						Right side	<b>XY2CB24</b>	15.600
≤ 2 x 100 m	Blue	From inside enclosure	127 V/6 V	1 1	"NC + NO" slow break	Both sides (right or left)	<b>XY2CB33</b>	25.600
					220 V/6 V	1 1	"NC + NO" slow break	Both sides (right or left)

(1) See separate components, page 4.

(2) For 1/2" NPT threaded cable entry version, add the suffix H2 to the reference selected.

Example: **XY2CB10** becomes **XY2CB10H2**.

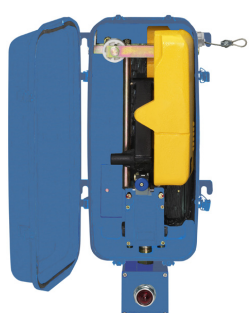
(3) Bulb **DL1CB006** included.

123227



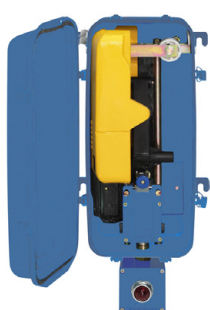
XY2CB30

123229

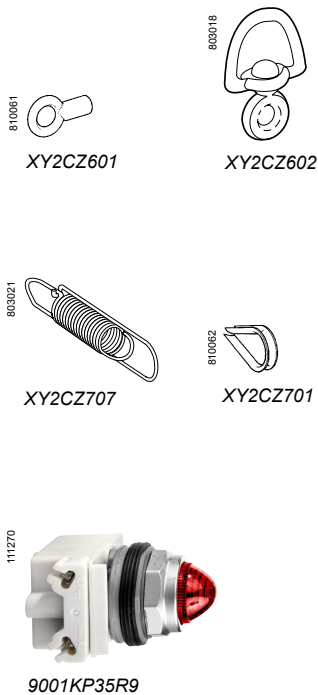


XY2CB21

123228



XY2CB13



### Separate components and replacement parts

Description	Diameter mm	Length m	Reference	Weight kg
Galvanised cables with red sheath	3.2	10.5	XY2CZ301	0.280
		15.5	XY2CZ3015	0.410
		25.5	XY2CZ302	0.690
		50.5	XY2CZ305	1.360
		100.5	XY2CZ310	2.700

Description	Type	Sold in lots of	Unit reference	Weight kg
Turnbuckles	M6 x 60 + locknut	1	XY2CZ402	0.060
	M8 x 70 + locknut	1	XY2CZ404	0.100
Cable grips for cables Ø 3 to 5 mm	Simple	10	XY2CZ503	0.007
	Double	10	XY2CZ513	0.016
Cable grips for cables Ø 3.2 mm	Clamp	10	XY2CZ523	0.050
Cable supports	Fixed	10	XY2CZ601	0.030
	Swivelling	1	XY2CZ602	0.130
Pulley support	–	1	XY2CZ705	0.060
Cable end protectors for cables Ø 3.2 mm	–	10	XY2CZ701	0.002
End spring	–	1	XY2CZ707	0.314
Description	Voltage	Sold in lots of	Unit reference	Weight kg
Pilot lights With bulb DL1AA●●● included	24 V	1	9001KP35R9	0.134
	120 V	1	9001KP1R9	0.210
	230 V	1	9001KP7R9	0.210
Incandescent bulbs, BA 9s base fitting	24 V - 2.6 W	10	DL1CE024	0.002
	6 V - 1.2 W	10	DL1CB006 (1)	0.002
ISO M20 adaptor	–	5	DE9RP13520	0.050

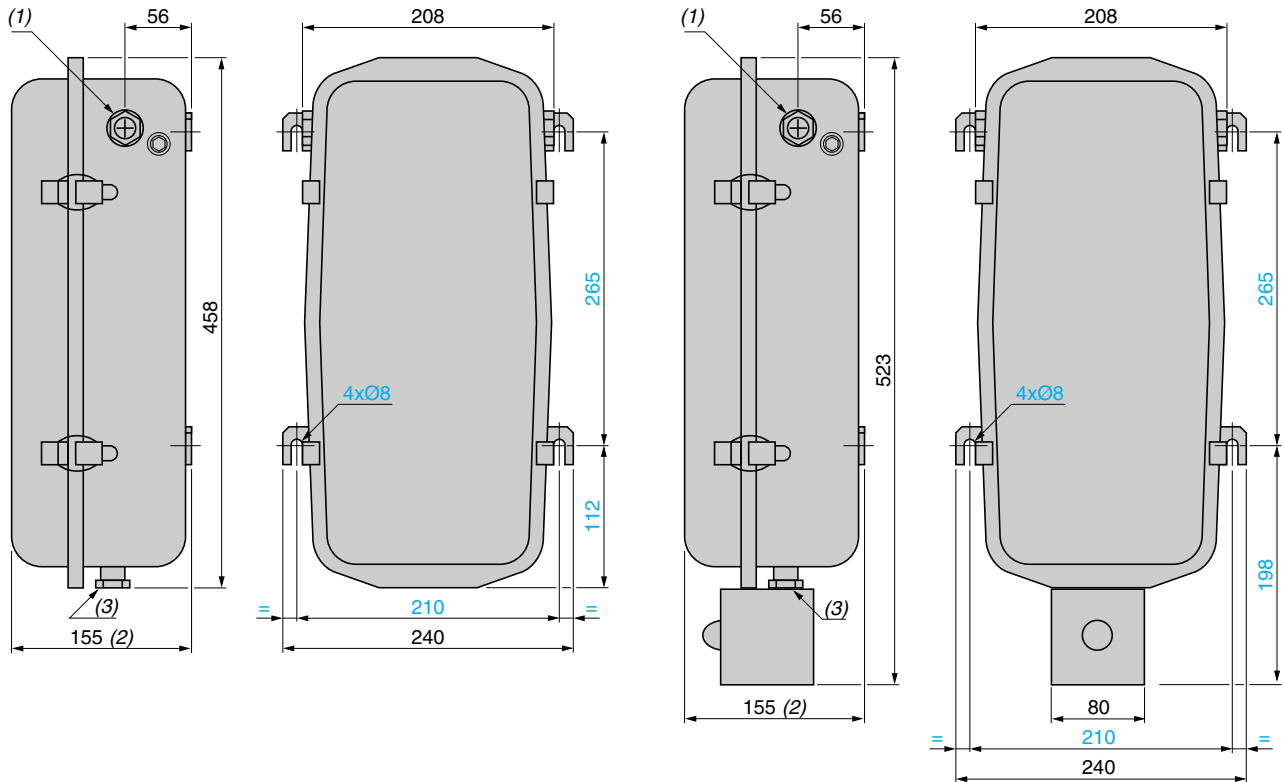
(1) For use with XY2CB, 120 V and 230 V.

### Dimensions

#### XY2CB

#### Without pilot light

#### With pilot light



(1) 2 access points for operating cable.

(2) + 125 for opening cover.

(3) 1 tapped entry for n° 13 (Pg 13.5) cable gland. For ISO M20 use adaptor **DE9RP13520**.

---

9001KP1R9	4
9001KP7R9	4
9001KP35R9	4

**D**

DE9RP13520	4
DL1CB006	4
DL1CE024	4

**X**

XY2CB10	3
XY2CB11	3
XY2CB12	3
XY2CB13	3
XY2CB14	3
XY2CB20	3
XY2CB21	3
XY2CB22	3
XY2CB23	3
XY2CB24	3
XY2CB30	3
XY2CB31	3
XY2CB32	3
XY2CB33	3
XY2CB34	3
XY2CB104	3
XY2CB204	3
XY2CB304	3
XY2CZ301	4
XY2CZ302	4
XY2CZ305	4
XY2CZ310	4
XY2CZ402	4
XY2CZ404	4
XY2CZ503	4
XY2CZ513	4
XY2CZ523	4
XY2CZ601	4
XY2CZ602	4
XY2CZ701	4
XY2CZ705	4
XY2CZ707	4
XY2CZ3015	4





**Schneider Electric Industries SAS**

Head Office  
35, rue Joseph Monier  
F-92500 Rueil-Malmaison  
France

[www.tesensors.com](http://www.tesensors.com)

The information provided in this documentation contains general descriptions and/or technical characteristics of the performance of the products contained herein. This documentation is not intended as a substitute for and is not to be used for determining suitability or reliability of these products for specific user applications. It is the duty of any such user or integrator to perform the appropriate and complete risk analysis, evaluation and testing of the products with respect to the relevant specific application or use thereof. Neither Schneider Electric nor any of its affiliates or subsidiaries shall be responsible or liable for misuse of the information contained herein.

Design: Schneider Electric  
Photos: Schneider Electric