

NQ/NQM Panelboards and QONQ Load Centers

Class 1640
80043-712-06, Rev. 08

What’s in This Document

Safety Information 1

Introduction 3

Installation 5

Appendix 1: Specifications..... 17

Appendix 2: Accessory Kits 37

Safety Information

Read these instructions carefully and examine the equipment to become familiar with the device before attempting to install, operate, service, or maintain it. The following special messages may appear throughout this user guide or on the equipment to warn of hazards or to call attention to information that clarifies or simplifies a procedure.

Schneider Electric
800 Federal Street
Andover, MA 01810
USA
888-778-2733

www.se.com

As standards, specifications, and design change from time to time, please ask for confirmation of the information given in this publication.
© 2007 – 2024 Schneider Electric. All rights reserved.





The addition of either symbol to a “Danger” or “Warning” safety label indicates that an electrical hazard exists which will result in personal injury if the instructions are not followed.



This is the safety alert symbol. It is used to alert you to personal injury hazards. Obey all safety messages that follow this symbol to avoid possible injury or death.

DANGER

DANGER indicates a hazardous situation which, if not avoided, **will result in** death or serious injury.

WARNING

WARNING indicates a hazardous situation which, if not avoided, **could result in** death or serious injury.

CAUTION

CAUTION indicates a hazardous situation which, if not avoided, **could result in** minor or moderate injury.

NOTICE

NOTICE is used to address practices not related to physical injury.

NOTE: Provides additional information to clarify or simplify a procedure.

Please Note

Electrical equipment should be installed, operated, serviced, and maintained only by qualified personnel. No responsibility is assumed by Schneider Electric for any consequences arising out of the use of this material.

A qualified person is one who has skills and knowledge related to the construction, installation, and operation of electrical equipment and has received safety training to recognize and avoid the hazards involved.

Electrical equipment should be transported, stored, installed, and operated only in the environment for which it is designed.

Introduction

This bulletin contains instructions for installing Square D™ brand NQ circuit breaker panelboards and QONQ load centers. These panelboards and load centers are Underwriters Laboratories (cULus) listed and accept QO™ and QOB branch circuit breakers.

NOTE: For technical support on the installation of this panelboard, contact the Schneider Electric Customer Information Center at 1-888-778-2733.

NOTE: See the labels on the equipment for rating and safety information. Additional equipment labels are provided with this document.

Safety Precautions

DANGER

HAZARD OF ELECTRIC SHOCK, EXPLOSION, OR ARC FLASH

- Apply appropriate personal protective equipment (PPE) and follow safe electrical work practices. See NFPA 70E, NOM-029-STPS or CSA Z462 or local equivalent.
- This equipment must only be installed and serviced by qualified electrical personnel.
- Turn off all power supplying this equipment before working on or inside equipment.
- Always use a properly rated voltage sensing device to confirm power is off.
- Read and understand this entire instruction bulletin and the included NEMA PB 1.1 standards publication before installing, operating, or maintaining this equipment.
- Local codes vary, but are adopted and enforced to promote safe electrical installations. A permit may be needed to do electrical work, and some codes may require an inspection of the electrical work.
- Replace all devices, doors, and covers before turning on power to this equipment.
- Do not allow petroleum based paints, solvents, or sprays to contact the nonmetallic parts of this product.

Failure to follow these instructions will result in death or serious injury.



WARNING: This product can expose you to chemicals including Nickel compounds, which are known to the State of California to cause cancer, and Bisphenol A (BPA), which is known to the State of California to cause birth defects or other reproductive harm. For more information go to www.P65Warnings.ca.gov.

Installation

This section provides instructions for the following NQ panelboard and QONQ load center procedures:

- Interior Mounting for Square D Brand Enclosures, page 5.
- Neutral Bonding Strap/Cable Installation, page 8.
- QO and QOB Circuit Breaker Installation and Removal, page 12.
- Circuit Breaker Reset Instructions, page 15.
- Deadfront Preparation, page 16.

Interior Mounting for Square D Brand Enclosures

A separate standards publication, titled “General Instructions for Proper Installation, Operation, and Maintenance of Panelboards Rated 600 Volts or Less” (NEMA PB1.1), has been provided with this equipment. Familiarize yourself with the content of this document before proceeding with any of the following procedures.

If you did not receive a copy of this document, or if you have any questions regarding this equipment, contact your local distributor or Schneider Electric representative.

⚠ DANGER

HAZARD OF ELECTRIC SHOCK, EXPLOSION, OR ARC FLASH

- Ensure all field connections are properly tightened.
- Do not over torque or under torque connections. Refer to the torque information label provided on the panelboard before tightening connections.

Failure to follow these instructions will result in death or serious injury.

To properly mount and install the NQ panelboard or QONQ load center interior, please refer to the NEMA PB 1.1 standards publication, and follow the instructions below for either [Surface Mounting \(Enclosure](#)

Mounted on Wall), page 6 or Flush Mounting (Enclosure Recessed in Wall), page 6.

Surface Mounting (Enclosure Mounted on Wall)

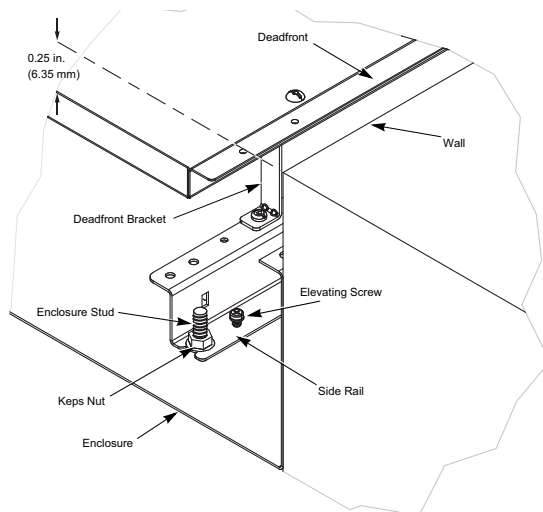
1. Mount the enclosure as instructed in the NEMA PB 1.1 standards publication.
2. Remove the deadfront from the deadfront brackets.
3. Install the interior as described below:
 - a. Set the interior on the enclosure studs. An elevating screw is not required (See Interior Mounting for Square D Brand Enclosures, page 5).
 - b. Tighten the Keps nuts against the interior side rails until the rails are against the back of the enclosure.
4. Based on the application and adopted installation code, a Neutral Bonding Strap and Line Side Barrier may be required. See the Neutral Bonding Strap/Cable Installation, page 8 and Appendix 2: Accessory Kits, page 37.
5. Apply equipment labels (located in the bag assembly) as directed by the instructions on the back of the equipment label sheet. Please consult local codes and standards.
6. Remount the deadfront after wiring.

Flush Mounting (Enclosure Recessed in Wall)

1. Mount the enclosure as instructed in the NEMA PB 1.1 standards publication.
2. Remove the deadfront from the deadfront brackets.

3. Install the interior as described below:
 - a. Thread the (4) 10-32 x 0.875 in. self-tapping, elevating screws provided with the flush trim into the side rails.
 - b. Set the interior on the enclosure studs (see *Interior Mounting of Square D Brand Enclosures*, page 7). Place the keps nuts onto the enclosure studs, but do not tighten.
 - c. Adjust the screws so that the lip of the deadfront is approximately 0.25 inches (6.35 mm) from the wall line.
 - d. Tighten the keps nuts against the side rails.
4. Based on the application and adopted installation code, a Neutral Bonding Strap and Line Side Barrier may be required. Please consult local codes and standards. See the *Neutral Bonding Strap/Cable Installation*, page 8 and *Appendix 2: Accessory Kits*, page 37.
5. Apply equipment labels (located in the bag assembly) as directed by the instructions on the back of the equipment label sheet.
6. Remount the deadfront after wiring.

Figure 1 - Interior Mounting in Square D Brand Enclosures



Neutral Bonding Strap/Cable Installation

Based on the application and the adopted installation code, a line side barrier and neutral bonding strap may be required.

To properly bond the neutral to the panelboard, follow the instructions for either 100 or 250 A Maximum NQ Panelboards, or 400 or 600 A Maximum NQ Panelboards and QONQ Load Centers, page 10.

⚠ DANGER

HAZARD OF ELECTRIC SHOCK, EXPLOSION, OR ARC FLASH

- Apply appropriate personal protective equipment (PPE) and follow safe electrical work practices. See NFPA 70E, NOM-029-STPS or CSA Z462 or local equivalent.
- Turn off all power supplying this equipment before working on or inside equipment.
- The neutral bonding strap/cable should be used only when the panelboard is installed as service entrance equipment.
- Do not mix the mounting screws with the deadfront screws.

Failure to follow these instructions will result in death or serious injury.

NOTE: Refer to Line Side Barrier and Neutral Bonding Strap Kits, page 40 for information.

NOTE: The terms “neutral bonding strap” and “neutral bonding cable”, describe the components which meet the requirements for a “neutral bonding conductor”. These are equivalent terms.

100 or 250 A Maximum NQ Panelboards

To install a neutral bonding strap on NQ panelboards with mains rated up to 225 A (with main lugs or main circuit breaker), or up to 250 A with a factory assembled main circuit breaker, refer to *Bonding Strap Installation—100 or 250 A Maximum NQ Panelboards*, page 10, and follow the instructions below.

1. Align the bonding strap on the side rail, as pictured.

NOTE: For some applications, it may be necessary to remove the lug (not pictured) before installing the bonding strap.

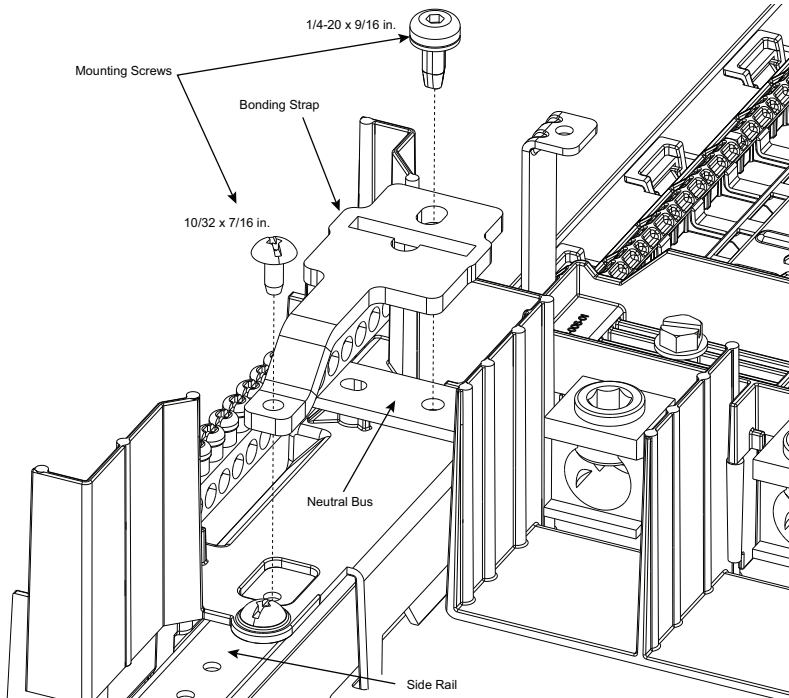
2. Insert the two mounting screws, as pictured. Tighten the 10-32 screw to 10–12 lb.-in. (1.1–1.4 N•m) and the 1/4-20 to 25–30 lb.-in. (2.8–3.4 N•m).

NOTE: Lug mounting screws are provided in the bonding strap bag assembly.

- a. If the lug was removed in step 1 above, reinstall it on top of the bonding strap. Tighten the 10-32 screw to 10–12 lb.-in. (1.1–1.4 N•m) and the 1/4-20 to 25–30 lb.-in. (2.8–3.4 N•m).
- b. Use 1/4-20 x 9/16 in. screw in mounting for 100/225 A interiors with no options. Refer to note C and D for other options.
- c. Use the 1/4-20 x 11/16 in. lug mounting screw on applications with feed-through lug, sub-feed lug, sub-feed circuit breaker, or 200% neutral applications.
- d. Use the 1/4-20 x 7/8 in. lug mounting screw on applications with 200% neutrals and with feed-through lugs, sub-feed lugs, or sub-feed circuit breakers.

Figure 2 - Bonding Strap Installation—100 or 250 A Maximum NQ Panelboards

NOTE: For bonding strap lug options, refer to C and D for the correct length of the 1/4-20 screw.



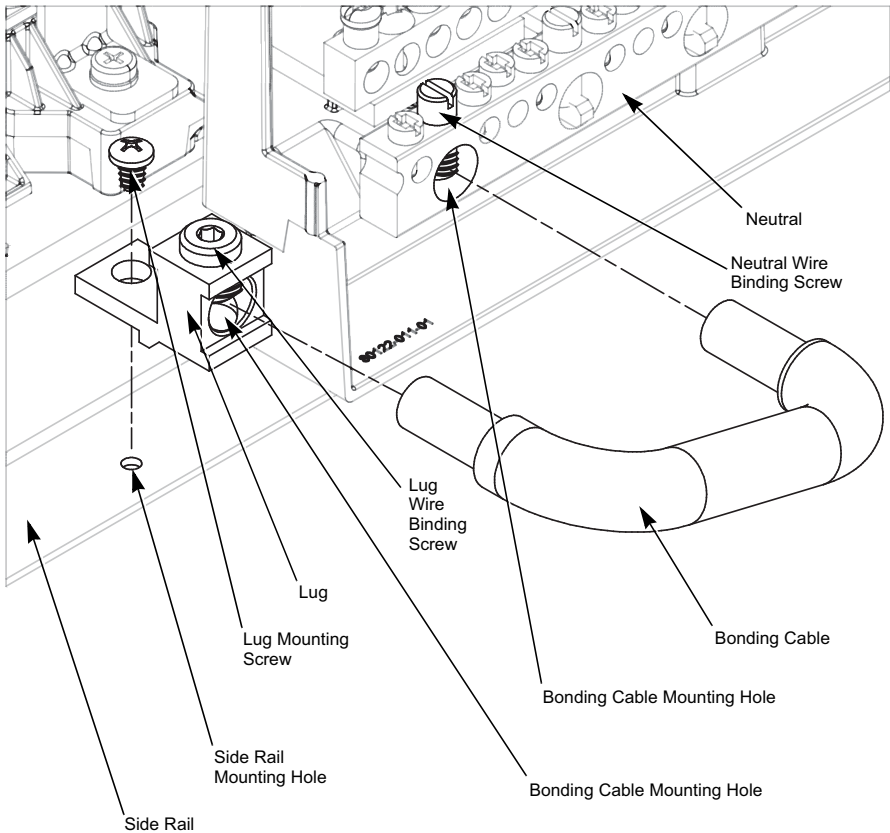
400 or 600 A Maximum NQ Panelboards and QONQ Load Centers

To install a neutral bonding cable on a 400 or 600 A maximum NQ panelboard and QONQ load center, refer to *Bonding Cable Installation — 400 or 600 A Maximum NQ Panelboards and QONQ Load Centers*, page 11, and follow the instructions below.

1. Align the lug on the side rail mounting hole, as pictured.

2. Tighten the lug mounting screw against the side rail to 10–12 lb.-in. (1.1–1.4 N•m).
3. Align the bonding cable, as pictured, and insert it into the lug and neutral mounting holes.
4. Tighten both the lug wire binding screw and the neutral wire binding screw to 45–50 lb.-in. (5.1–5.6 N•m).

Figure 3 - Bonding Cable Installation — 400 or 600 A Maximum NQ Panelboards and QONQ Load Centers



QO and QOB Circuit Breaker Installation and Removal

DANGER

HAZARD OF ELECTRIC SHOCK, EXPLOSION, OR ARC FLASH

- Apply appropriate personal protective equipment (PPE) and follow safe electrical work practices. See NFPA 70E, NOM-029-STPS or CSA Z462 or local equivalent.
- This equipment must only be installed and serviced by qualified electrical personnel.
- Turn off all power supplying this equipment before working on or inside equipment.
- Always use a properly rated voltage sensing device to confirm power is off.
- All unused spaces must be filled with filler plates.
- Replace all devices, doors, and covers before turning on power to this equipment.
- Use only Square D™ and Schneider Electric™ brand circuit breakers and accessories. This equipment is designed and tested by Schneider Electric to performance levels which meet applicable regulatory standards.
- Ensure all field connections are properly tightened.
- Do not over torque or under torque connections. Refer to the torque information label provided on the panelboard before tightening connections.

Failure to follow these instructions will result in death or serious injury.

QO and QOB Circuit Breaker Installation

Refer to QO and QOB Circuit Breaker Installation and Removal, page 14, for the following instructions:

1. Turn OFF all power to the panelboard.
2. Turn the circuit breaker OFF.
3. Remove the deadfront.
4. Snap the wire terminal end of the circuit breaker onto the mounting rail.
5. Engage the branch connector.

For QO Circuit Breakers: Push inward until the plug-on jaws fully engage the branch connector.

For QOB Circuit Breakers: Push inward until the circuit breaker connector is centered on the branch connector mounting hole. Engage the screw into the branch connector hole and tighten it to the torque values shown on the interior wiring and torque diagram.

6. Install the load wire.
7. Reinstall the deadfront.
8. Install a filler plate in all branch circuit breaker spaces not used.

QO and QOB Circuit Breaker Removal

Refer to QO and QOB Circuit Breaker Installation and Removal, page 14, for the following instructions:

1. Turn OFF all power to the panelboard.
2. Remove the deadfront.
3. Remove the load wire.

4. Disengage the branch connector.

For QO Circuit Breakers:

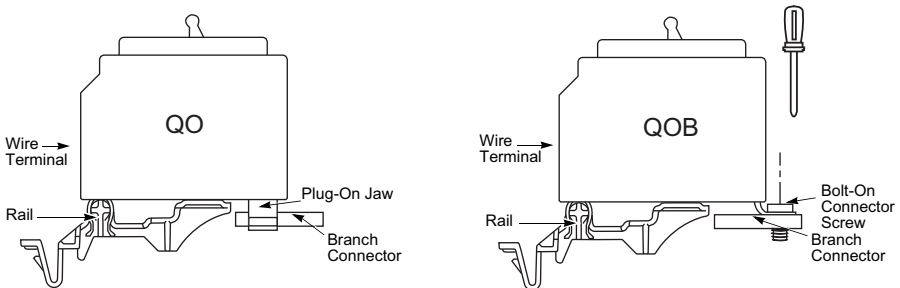
Pull outward until the plug-on jaws fully disengage the branch connector.

For QOB Circuit Breakers:

Loosen the screw in the circuit breaker connector and pull the circuit breaker off of the branch connector.

5. Remove the wire terminal end of the circuit breaker from the mounting rail.
6. Reinstall the deadfront.
7. Install a filler plate in all branch circuit breaker spaces not used.

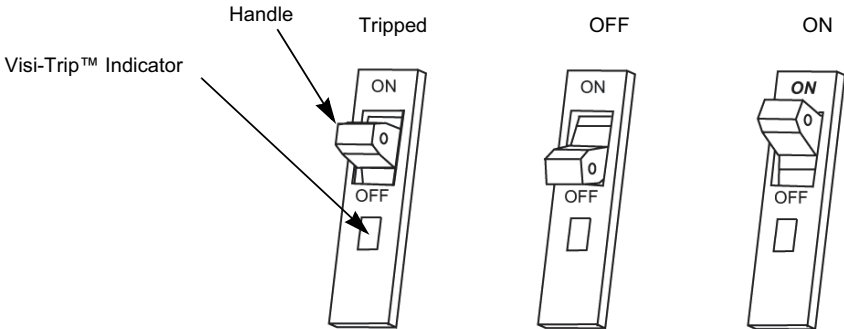
Figure 4 - QO and QOB Circuit Breaker Installation and Removal



Circuit Breaker Reset Instructions

If the circuit breaker is tripped, the handle will be at the mid-position between ON and OFF. To reset the circuit breaker, push the handle to the OFF position, then to the ON position.

Figure 5 - Circuit Breaker Handle Positions



NOTE: When the circuit breaker has tripped, the handle assumes a center position and the red Visi-Trip indicator appears in a window in the circuit breaker case. The red Visi-Trip indicator is only visible when the circuit breaker has tripped.

Deadfront Preparation

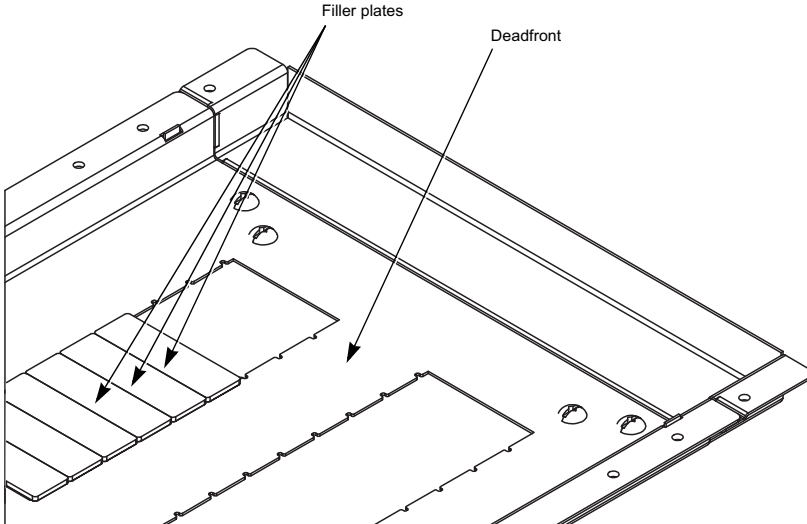
⚠ DANGER

HAZARD OF ELECTRIC SHOCK, EXPLOSION, OR ARC FLASH

- Apply appropriate personal protective equipment (PPE) and follow safe electrical work practices. See NFPA 70E, NOM-029-STPS or CSA Z462 or local equivalent.
- Before energizing the panelboard, all unused spaces must be filled with filler plates.
- Replace all devices, doors, and covers before turning on power to this equipment.

Failure to follow these instructions will result in death or serious injury.

Figure 6 - Deadfront Diagram



NOTE: The back of the deadfront lists the catalog number for the corresponding compatible filler plates.

Appendix 1: Specifications

Typical Wiring

Additional information is provided on the panelboard. See the main circuit breaker rating, if used.

Table 1 - Panelboard Typical Wiring

Voltage AC	1-Phase Panelboards		3-Phase Panelboards	
	Phase	Wires	Phase	Wires
208Y/120	—	—	3	4
120/240	1	3	—	—
240 ¹	1	2	3	4
240 ²	1	3	—	—
240/120 ³	—	—	3	4 Delta

1. For this system, the neutral is not used and only circuit breakers rated 240 Vac minimum should be used. Do not use circuit breakers rated 120 V or 120/240 Vac.
2. For a grounded "B" phase system, only circuit breakers rated 240 Vac minimum should be used. Do not use circuit breakers rated 120 V or 120/240 Vac.
3. When wiring for a delta system, phases "A" and "C" must be 120 V to neutral, phase "B" 208 V to neutral. Connect only circuit breakers rated 240 Vac minimum. Do not use circuit breakers rated 120 V or 120/240 V to "B" phase.

Integral Main or Sub-Feed

PowerPacT H-, J-, L-, and Q-Frame; LA, LH, QO(B)(VH)

Figure 7 - NQ/NQM 100–225 A Main Lugs or 100–250 A Main Circuit Breaker Diagram

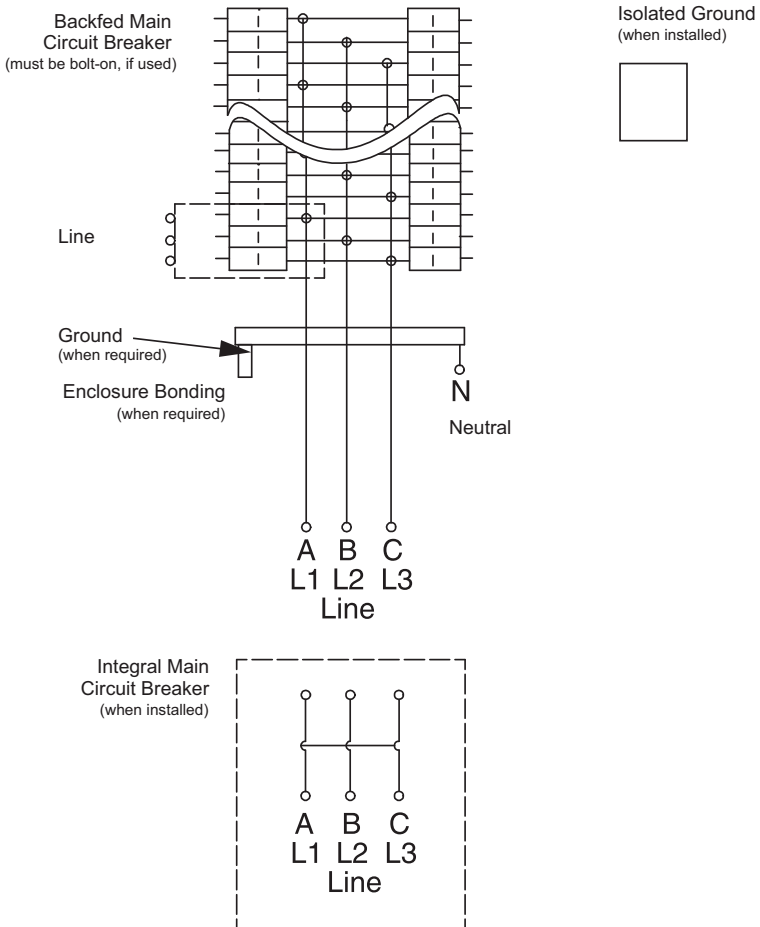


Figure 8 - NQ Panelboard or QONQ Load Center 400–600 A Main Lugs or Main Circuit Breaker with or without Feed-Through Lugs Diagram

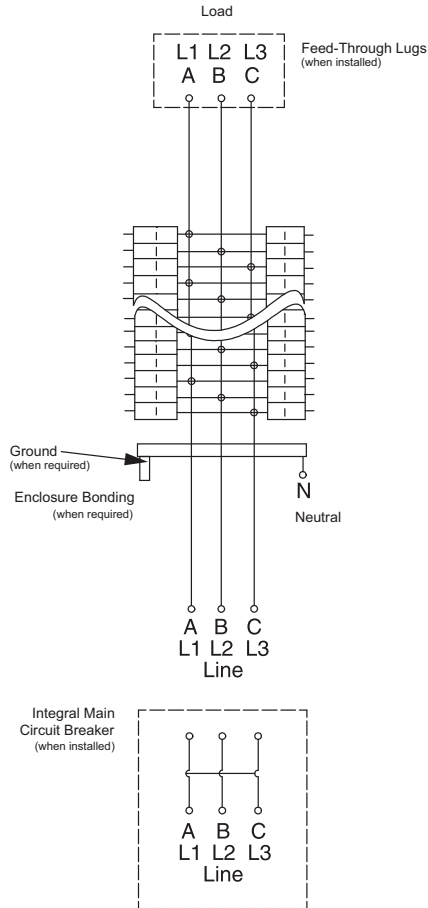


Figure 9 - NQ Panelboard or QONQ Load Center 400–600 A Main Circuit Breaker with Feed-Through Lugs or Sub-Feed Circuit Breakers

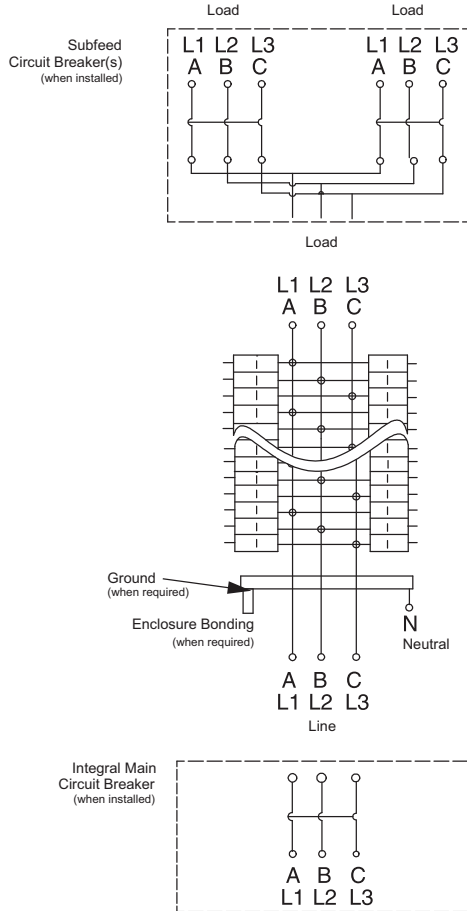
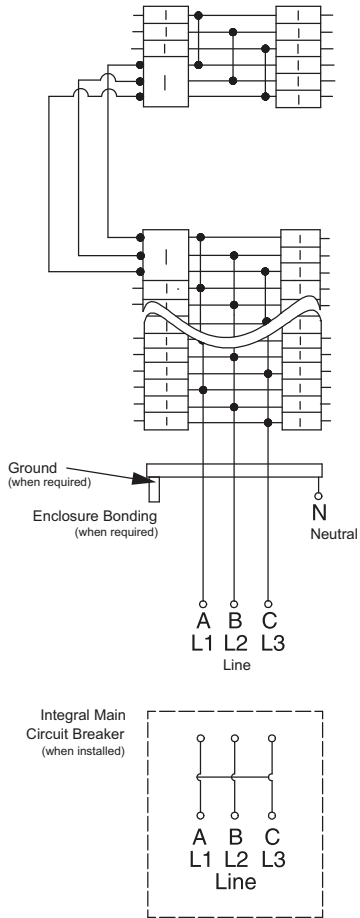


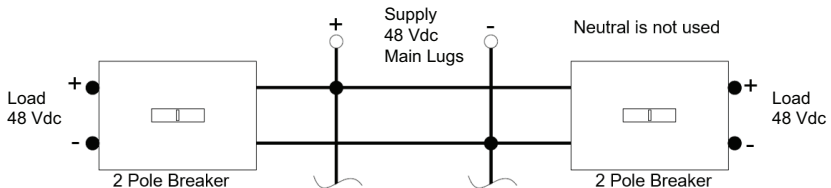
Figure 10 - Typical NQ Panelboard with Split Bus Diagram



Suitable for use on 48 Vdc Maximum Systems

For use on 48 Vdc Maximum Ungrounded Systems Only. Use only Type QO(B), 2 pole, 10–60 A branch, or branch fed main, circuit breakers with suffix 5272 that are rated for 48 Vdc maximum. Short Circuit Current Rating is limited to 5 kA when used on a 48 Vdc system.

For vertically mounted main and sub-feed circuit breakers use only H-, J-, and LA/LH-Frame circuit breakers. Short Circuit Current Rating is limited to 20 kA (H-, J-Frame), 10 kA (LA-Frame), and 50 kA (LH-Frame) when used on a 48 Vdc system.



Panelboard Ratings

Refer to local codes and standards for more information. The series rated system label is located in the bag assembly.

Series Connected Circuit Breaker Ratings (RMS Symmetrical)

- Series Ratings listed at higher system voltages apply to lower system voltages (Example: 240 3P/3W covers 208Y/120 3P/4W).
- Short circuit tests are conducted at 100–105% of the maximum rated voltage of the panelboard.
- “MC” denotes Mission Critical circuit breakers.
- Where LG is shown, LJ and LL can be used.
- Unless otherwise noted, main circuit breakers can be applied at the maximum available amperage rating.
- Suffixes HID, SWD, and SWN may also be applied to the applicable branch circuit breakers shown below.
- Where QO(B) circuit breakers are shown below, QO(B)H, QO(B)VH, and QH(B) circuit breakers may also be used.
- Two-pole CAFI circuit breakers cannot be used on three-phase systems.

Table 2 - Max. System Voltage AC: 120/240 1P/3W, 208Y/120 3P/4W, 240/120 3P/4W

Max. Short Circuit Current Rating	Square D Brand Integral or Remote Main Circuit Breakers and Remote Main Fuses	Square D Brand Branch Circuit Breaker Catalog Designation and Allowable Ampere Ranges			
		Type	1-Pole	2-Pole	3-Pole
18,000	LA/LH MC	QO(B)	15–30 A	15–30 A	—
22,000	QO(B) VH QOB-VH	QO(B)	15–70 A	15–125 A	—
		QO(B) GFI	15–30 A	15–60 A	—
		QO(B) EPD	15–30 A	15–60 A	—
		QO(B) PL	15–30 A	15–60 A	—
		QO(B) AFI	15–20 A	—	—
		QO(B) CAFI	15–20 A	15–20 A	—
		QO(B) DF	15–20 A	—	—
25,000	QD	QO(B)	15–70 A	15–125 A	—
		QOB-VH	—	150 A	—
		QO(B) PL	15–30 A	15–60 A	—
		QO(B) GFI	15–30 A	15–60 A	—
		QO(B) EPD	15–30 A	15–60 A	—
		QO(B) AFI	15–20 A	—	—
		QO(B) CAFI	15–20 A	15–20 A	—
	QO(B) DF	15–20 A	—	—	
	ED	QO(B)	15–70 A	15–125 A	—
		QO(B) GFI	15–30 A	15–60 A	—
		QO(B) EPD	15–30 A	15–60 A	—
		QO(B) AFI	15–20 A	—	—
		QO(B) CAFI	15–20 A	15–20 A	—
		QO(B) DF	15–20 A	—	—
	BD, HD, JD, LG	QO(B)	15–70 A	15–125 A	—
		QOB-VH	—	150 A	—
		QO(B) PL	15–30 A	15–60 A	—
		QO(B) GFI	15–30 A	15–60 A	—
		QO(B) EPD	15–30 A	15–60 A	—
		QO(B) AFI	15–20 A	—	—
	BD, HD, JD, LG	QO(B) CAFI	15–20 A	15–20 A	—
QO(B) DF		15–20 A	—	—	
42,000	LA, MA	QO(B)	15–30 A	15–30 A	—

Table 2 - Max. System Voltage AC: 120/240 1P/3W, 208Y/120 3P/4W, 240/120 3P/4W (Continued)

Max. Short Circuit Current Rating	Square D Brand Integral or Remote Main Circuit Breakers and Remote Main Fuses	Square D Brand Branch Circuit Breaker Catalog Designation and Allowable Ampere Ranges			
		Type	1-Pole	2-Pole	3-Pole
65,000	QG	QO(B)	15–70 A	15–125 A	—
		QO(B) VH	15–70 A	15–125 A	—
		QOB-VH	—	150 A	—
		QO(B) GFI	15–30 A	15–60 A	—
		QO(B) PL	15–30 A	15–60 A	—
		QO(B) AFI	15–20 A	—	—
		QO(B) CAFI	15–20 A	15–20 A	—
		QO(B) DF	15–20 A	—	—
	EG	QO(B)	15–70 A	15–125 A	—
	EG	QO(B) GFI	15–30 A	15–60 A	—
		QO(B) EPD	15–30 A	15–60 A	—
		QO(B) EPE	—	—	—
		QO(B) AFI	15–20 A	—	—
		QO(B) CAFI	15–20 A	15–20 A	—
		QO(B) DF	15–20 A	—	—
	BG, HG, JG, LG	QO(B)	15–70 A	15–125 A	—
		QOB-VH	—	150 A	—
		QO(B) PL	15–30 A	15–60 A	—
		QO(B) GFI	15–30 A	15–60 A	—
		QO(B) EPD	15–30 A	15–60 A	—
		QO(B) AFI	15–20 A	—	—
		QO(B) CAFI	15–20 A	15–20 A	—
		QO(B) DF	15–20 A	—	—

Table 2 - Max. System Voltage AC: 120/240 1P/3W, 208Y/120 3P/4W, 240/120 3P/4W (Continued)

Max. Short Circuit Current Rating	Square D Brand Integral or Remote Main Circuit Breakers and Remote Main Fuses	Square D Brand Branch Circuit Breaker Catalog Designation and Allowable Ampere Ranges			
		Type	1-Pole	2-Pole	3-Pole
100,000	QJ	QO(B)	15–70 A	15–125 A	—
		QOB-VH	—	150 A	—
		QO(B) PL	15–30 A	15–60 A	—
		QO(B) GFI	15–30 A	15–60 A	—
		QO(B) EPD	15–30 A	15–60 A	—
		QO(B) AFI	15–20 A	—	—
		QO(B) CAFI	15–20 A	15–20 A	—
		QO(B) DF	15–20 A	—	—
	EJ	QO(B)	15–70 A	15–125 A	—
		QO(B) GFI	15–30 A	15–60 A	—
	EJ	QO(B) EPD	15–30 A	15–60 A	—
		QO(B) AFI	15–20 A	—	—
		QO(B) CAFI	15–20 A	15–20 A	—
		QO(B) DF	15–20 A	—	—
	BJ, HJ, JJ	QO(B)	15–70 A	15–125 A	—
		QOB-VH	—	150 A	—
		QO(B) PL	15–30 A	15–60 A	—
		QO(B) GFI	15–30 A	15–60 A	—
		QO(B) EPD	15–30 A	15–60 A	—
		QO(B) AFI	15–20 A	—	—
		QO(B) CAFI	15–20 A	15–20 A	—
		QO(B) DF	15–20 A	—	—
	LJ	QO(B)	15–70 A	15–125 A	—
		QOB-VH	—	150 A	—
		QO(B) GFI	—	15–60 A	—
		QO(B) EPD	—	15–60 A	—
		QO(B) AFI	15–20 A	—	—
		QO(B) CAFI	15–20 A	15–20 A	—
		QO(B) DF	15–20 A	—	—

Table 2 - Max. System Voltage AC: 120/240 1P/3W, 208Y/120 3P/4W, 240/120 3P/4W (Continued)

Max. Short Circuit Current Rating	Square D Brand Integral or Remote Main Circuit Breakers and Remote Main Fuses	Square D Brand Branch Circuit Breaker Catalog Designation and Allowable Ampere Ranges			
		Type	1-Pole	2-Pole	3-Pole
125,000	HL, JL	QO(B)	15–70 A	15–125 A	—
		QOB-VH	—	150 A	—
		QO(B) PL	15–30 A	15–60 A	—
		QO(B) GFI	15–30 A	15–60 A	—
		QO(B) EPD	15–30 A	15–60 A	—
		QO(B) AFI	15–20 A	—	—
		QO(B) CAFI	15–20 A	15–20 A	—
		QO(B) DF	15–20 A	—	—
200,000	HR, JR	QO(B)	15–70 A	15–125 A	—
		QO(B) GFI	15–30 A	15–60 A	—
		QO(B) EPD	15–30 A	15–60 A	—
		QO(B) AFI	15–20 A	—	—
	HR, JR	QO(B) CAFI	15–20 A	15–20 A	—
		QO(B) DF	15–20 A	—	—

Table 3 - Max. System Voltage AC: 240 1P/2W

Max. Short Circuit Current Rating	Square D Brand Integral or Remote Main Circuit Breakers and Remote Main Fuses	Square D Brand Branch Circuit Breaker Catalog Designation and Allowable Ampere Ranges			
		Type	1-Pole	2-Pole	3-Pole
25,000	QD, BD, HD, JD, LG	QO(B) H	—	15–100 A	—
42,000	LA, MA	QDL	—	70–225 A	—
65,000	QG, BG, HG, JG, LG	QO(B) H	—	15–100 A	—
100,000	BJ, HJ, JJ, LJ	QO(B) H	—	15–100 A	—
125,000	HL, JL	QO(B) H	—	15–100 A	—

Table 4 - Max. System Voltage AC: 208Y/120 3P/4W

Max. Short Circuit Current Rating	Square D Brand Integral or Remote Main Circuit Breakers and Remote Main Fuses	Square D Brand Branch Circuit Breaker Catalog Designation and Allowable Ampere Ranges			
		Type	1-Pole	2-Pole	3-Pole
18,000	LA/LH MC	QO(B)	—	—	15–30 A
22,000	QO(B) VH, QOB-VH	QO(B) GFI	—	—	15–50 A

Table 4 - Max. System Voltage AC: 208Y/120 3P/4W (Continued)

Max. Short Circuit Current Rating	Square D Brand Integral or Remote Main Circuit Breakers and Remote Main Fuses	Square D Brand Branch Circuit Breaker Catalog Designation and Allowable Ampere Ranges			
		Type	1-Pole	2-Pole	3-Pole
25,000	QD, ED, FD, BD, HD, JD	QO(B) GFI	—	—	15–50 A
	LG	QO(B) GFI	—	—	15–30 A
65,000	QG, EG, BG, HG, JG	QO(B) GFI	—	—	15–50 A
	LG	QO(B) GFI	—	—	15–30 A
100,000	QJ	QO(B)	—	—	15–30 A
		QO(B) VH	—	—	15–100 A
		QOB-VH	—	—	110–150 A
		QO(B) PL	—	—	15–30 A
		QO(B) GFI	—	—	15–50 A
		QO(B) EPD	—	—	15–50 A
	QO(B) EPE	—	—	15–50 A	
	EJ, BJ, HJ, JJ	QO(B) GFI	—	—	15–50 A

Table 5 - Max. System Voltage AC: 240/120 3P/4W, 240 3P/3W

Max. Short Circuit Current Rating	Square D Brand Integral or Remote Main Circuit Breakers and Remote Main Fuses	Square D Brand Branch Circuit Breaker Catalog Designation and Allowable Ampere Ranges			
		Type	1-Pole	2-Pole	3-Pole
22,000	QOB VH QOB-VH	QO(B)	—	—	15–100 A
		QO(B) EPD	—	—	15–50 A
		QO(B) EPE	—	—	15–50 A
25,000	QD	QO(B)	—	—	15–30 A
	QD	QO(B) VH	—	—	15–100 A
		QOB-VH	—	—	110–150 A
		QO(B) PL	—	—	15–30 A
		QO(B) EPD	—	—	15–50 A
		QO(B) EPE	—	—	15–50 A
	ED	QO(B)	—	—	15–100 A
		QO(B) EPD	—	—	15–50 A
		QO(B) EPE	—	—	15–50 A
	BD, HD, JD	QO(B)	—	—	15–100 A
		QOB-VH	—	—	110–150 A
		QO(B) PL	—	—	15–30 A
		QO(B) EPD	—	—	15–50 A
		QO(B) EPE	—	—	15–50 A
	LG	QO(B)	—	—	15–30 A
		QO(B) VH	—	—	15–100 A
		QOB-VH	—	—	110–150 A
		QO(B) EPD	—	—	15–30 A
		QO(B) EPE	—	—	15–30 A
	42,000	LA, MA	QDL	—	—
QO(B) VH			—	—	15–30 A
MG		QOB-VH	—	—	110–150 A

Table 5 - Max. System Voltage AC: 240/120 3P/4W, 240 3P/3W (Continued)

Max. Short Circuit Current Rating	Square D Brand Integral or Remote Main Circuit Breakers and Remote Main Fuses	Square D Brand Branch Circuit Breaker Catalog Designation and Allowable Ampere Ranges				
		Type	1-Pole	2-Pole	3-Pole	
65,000	QG	QO(B)	—	—	15–30 A	
		QO(B) VH	—	—	15–100 A	
	QG	QOB-VH	—	—	110–150 A	
		QO(B) PL	—	—	15–30 A	
	EG	QO(B)	—	—	15–100 A	
		QOB-VH	—	—	110–125 A	
		QO(B) EPD	—	—	15–50 A	
		QO(B) EPE	—	—	15–50 A	
	BG, HG, JG	QO(B)	—	—	15–100 A	
		QOB-VH	—	—	110–150 A	
		QO(B) PL	—	—	15–30 A	
		QO(B) EPD	—	—	15–50 A	
		QO(B) EPE	—	—	15–50 A	
	LG	QO(B)	—	—	15–30 A	
		QO(B) VH	—	—	15–100 A	
		QOB-VH	—	—	110–150 A	
		QO(B) EPD	—	—	15–30 A	
		QO(B) EPE	—	—	15–30 A	
	100,000	EJ	QO(B)	—	—	15–100 A
			QOB-VH	—	—	110–125 A
QO(B) EPD			—	—	15–50 A	
QO(B) EPE			—	—	15–50 A	
BJ, HJ, JJ		QO(B)	—	—	15–100 A	
		QOB-VH	—	—	110–150 A	
		QO(B) PL	—	—	15–30 A	
		QO(B) EPD	—	—	15–50 A	
		QO(B) EPE	—	—	15–50 A	
LJ		QO(B)	—	—	15–30 A	
		QO(B) VH	—	—	15–100 A	
		QOB-VH	—	—	110–150 A	

Table 5 - Max. System Voltage AC: 240/120 3P/4W, 240 3P/3W (Continued)

Max. Short Circuit Current Rating	Square D Brand Integral or Remote Main Circuit Breakers and Remote Main Fuses	Square D Brand Branch Circuit Breaker Catalog Designation and Allowable Ampere Ranges			
		Type	1-Pole	2-Pole	3-Pole
125,000	HL, JL	QO(B)	—	—	15–100 A
		QOB-VH	—	—	110–150 A
	HL, JL	QO(B) PL	—	—	15–30 A
		QO(B) EPD	—	—	15–50 A
		QO(B) EPE	—	—	15–50 A
200,000	HR, JR	QO(B)	—	—	15–100 A
		QOB-VH	—	—	110–150 A

Table 6 - Max. System Voltage AC: 120/240 1P/3W, 208Y/120 3P/4W, 240/120 3P/3W

Max. Short Circuit Current Rating	Square D Brand Integral or Remote Main Circuit Breakers and Remote Main Fuses	Square D Brand Branch Circuit Breaker Catalog Designation and Allowable Ampere Ranges			
		Type	1-Pole	2-Pole	3-Pole
42,000	400 A Max. Class T3 Fuses	QO(B) VH	15–70 A	15–125 A	—
65,000	400 A Max. Class J Fuses	QO(B) VH	15–70 A	15–125 A	—
		QO(B) AFI	15–20 A	—	—
		QO(B) CAFI	15–20 A	15–20 A	—
		QO(B) DF	15–20 A	—	—
	400 A Max. Class T6 Fuses	QO(B) VH	15–70 A	15–125 A	—
		QOB-VH	—	150 A	—
		QO(B) AFI	15–20 A	—	—
		QO(B) CAFI	15–20 A	15–20 A	—
		QO(B) DF	15–20 A	—	—
100,000	200 A Max. Class T3 Fuses	QO(B)	15–70 A	15–125 A	—
		QO(B) GFI	15–30 A	15–60 A	—
		QO(B) EPD	15–30 A	15–60 A	—
		QO(B) AFI	15–20 A	—	—
		QO(B) CAFI	15–20 A	15–20 A	—
		QO(B) DF	15–20 A	—	—

Table 6 - Max. System Voltage AC: 120/240 1P/3W, 208Y/120 3P/4W, 240/120 3P/3W (Continued)

Max. Short Circuit Current Rating	Square D Brand Integral or Remote Main Circuit Breakers and Remote Main Fuses	Square D Brand Branch Circuit Breaker Catalog Designation and Allowable Ampere Ranges			
		Type	1-Pole	2-Pole	3-Pole
200,000	200 A Max. Class T6 or J Fuses	QO(B)	15–70 A	15–125 A	—
		QO(B) GFI	15–30 A	15–60 A	—
		QO(B) EPD	15–30 A	15–60 A	—
	400 A Max. Class T3 Fuses	QO(B)	15–70 A	15–125 A	—
		QO(B) GFI	15–30 A	15–60 A	—
		QO(B) EPD	15–30 A	15–60 A	—

Table 7 - Max. System Voltage AC: 208Y/120 3P/4W

Max. Short Circuit Current Rating	Square D Brand Integral or Remote Main Circuit Breakers and Remote Main Fuses	Square D Brand Branch Circuit Breaker Catalog Designation and Allowable Ampere Ranges			
		Type	1-Pole	2-Pole	3-Pole
65,000	400 A Max. Class J	QO(B) GFI	—	—	15–50 A
100,000	200 A Max. Class T3	QO(B) GFI	—	—	15–50 A
200,000	200 A Max. Class T6 or J Fuses	QO(B) GFI	—	—	15–50 A
	400 A Max. Class T3 Fuses	QO(B) GFI	—	—	15–50 A

Table 8 - Max. System Voltage AC: 240/120 3P/4W, 240 3P/3W

Max. Short Circuit Current Rating	Square D Brand Integral or Remote Main Circuit Breakers and Remote Main Fuses	Square D Brand Branch Circuit Breaker Catalog Designation and Allowable Ampere Ranges			
		Type	1-Pole	2-Pole	3-Pole
50,000	600 A Max. Class T3 Fuses	QO(B) VH	—	—	15–30 A
65,000	400 A Max. Class J Fuses	QO(B) VH	—	—	15–100 A
		QO(B) VH	—	—	15–100 A
	400 A Max. Class T6 Fuses	QOB-VH	—	—	110–150 A
100,000	200 A Max. Class T3 Fuses	QO(B)	—	—	15–100 A
		QO(B) EPD	—	—	15–50 A
		QO(B) EPE	—	—	15–50 A

Table 8 - Max. System Voltage AC: 240/120 3P/4W, 240 3P/3W (Continued)

Max. Short Circuit Current Rating	Square D Brand Integral or Remote Main Circuit Breakers and Remote Main Fuses	Square D Brand Branch Circuit Breaker Catalog Designation and Allowable Ampere Ranges			
		Type	1-Pole	2-Pole	3-Pole
200,000	200 A Max. Class T6 or J Fuses	QO(B)	—	—	15–100 A
		QO(B) EPD	—	—	15–50 A
		QO(B) EPE	—	—	15–50 A
	400 A Max. Class T3 Fuses	QO(B)	—	—	15–100 A
		QO(B) EPD	—	—	15–50 A
		QO(B) EPE	—	—	15–50 A

NOTE: In the following table, Type includes AFI, CAFI, EPD, and GFI Circuit Breakers.

Table 9 - NQ Panel Mission Critical Breaker Selectivity

Maximum SCCR (RMS Symmetrical)	Integral or Remote Main Circuit Breakers	Branch Circuit Breakers			
		Type	1-Pole	2-Pole	3-Pole
Fully Rated and Selective to 10 kA at 208Y/120 Vac or at 240/120 Vac	J-W, 250 A L-W, 250 A	QOB	10–70	10–125	10–125
		QOB-H			
		QOB-VH			
		QH			
Series Rated and Selective to 12 kA at 208Y/120 Vac or at 240/120 Vac	J-W, 250 A	QOB	10–70	10–125	10–60
		QOB-H			
		QOB-VH			
		QH			
Series Rated and Selective to 15 kA at 208Y/120 Vac or at 240/120 Vac	J-W, 250 A	QOB	10–60	10–60	10–30
		QOB-H			
		QOB-VH			
		QH			

Table 9 - NQ Panel Mission Critical Breaker Selectivity (Continued)

Maximum SCCR (RMS Symmetrical)	Integral or Remote Main Circuit Breakers	Branch Circuit Breakers			
		Type	1-Pole	2-Pole	3-Pole
Series Rated and Selective to 18 kA at 208Y/120 Vac or at 240/120 Vac	J-W, 250 A	QOB	10-30	10-30	—
		QOB-H			
		QOB-VH			
		QH			
	L-W, 250 A	QOB	10-60	10-60	10-60
		QOB-H			
		QOB-VH			
		QH			
Series Rated and Selective to 30 kA at 208Y/120 Vac or at 240/120 Vac	L-W, 400 A L-W, 600 A	QOB	15-70	15-150	15-150
		QOB-H			
		QOB-VH			
		QH			

Table 10 - Short Circuit Current Rating⁴ for Main Lug Interiors with Sub-Feed or Feed-Through Lugs

Maximum System Voltage AC	Maximum Current Rating	Branch Circuits ⁵	Application	Adder ⁶	Maximum Short Circuit Current Rating ⁷	
240	100	18, 30	SFL and FTL	—	10,000	
	225	30, 42, 54, 72, 84, 96	SFL	6 in. (152.4 mm)		
		42	FTL	—		
		30, 54, 72, 84, 96		6 in. (152.4 mm)		
	400	30, 42, 54, 72, 84	SFL	—	25,000	
				96	—	10,000
		30, 84	FTL	—	25,000	
				96	—	10,000
				42, 54, 72	6 in. (152.4 mm)	25,000
		600	30, 42, 54, 72, 84	FTL	12 in. (304.8 mm)	
			96			10,000

CE Marking

- Interiors with the “CE” mark meet the IEC 61439-1 and IEC 61439-2 standards.
- Main lug interiors with the “CE” mark have been tested to withstand 10,000 RMS symmetrical amperes for 30 cycles.
- Interiors with the “CE” mark are only approved for use with QOXD or QOBXD branch circuit breakers which carry the “CE” mark.

-
4. This rating applies to main lug interiors, equipped with sub-feed or feed-through lugs, where the device feeding the interior is unknown or not a Square D brand device. Use of a Square D brand main circuit breaker ahead of these lugs will result in a rating equal to the rating of the circuit breaker. Short circuit tests are conducted at 100–105% of the maximum rated voltage of the panelboard.
 5. 96 circuits with SPD has 84 usable branch circuits.
 6. The adder is the additional length of the enclosure.
 7. RMS symmetrical amperes, for three cycles.

QO2150VH, QO2175VH and QO2200VH Restrictions

NOTICE

HAZARD OF EQUIPMENT DAMAGE

- Do not install QO2150(VH), QO2175(VH) or QO2200(VH) in seismic applications.
- Do not install QO2150(VH), QO2175(VH) or QO2200(VH) in three phase system applications.
- Do not install more than a total of four QO2175(VH) or QO2200(VH) on NEMA 1 enclosures.
- Do not install more than one QO2175(VH) or QO2200(VH) in NEMA 3R Vented Weatherproof enclosures.
- Do not install QO2150(VH), QO2175(VH) or QO2200(VH) adjacent to each other.
- Do not install in un-vented weatherproof enclosures (3R/5/12, 4/4X).
- For QO2175(VH) and QO2200(VH) circuit breakers install three-point latch trims.

Failure to follow these instructions can result in equipment damage.

Leave at least four circuit spaces of blank fillers or circuit breakers of 125 A or lower before another QO2150(VH), QO2175(VH) or QO2200(VH) is installed.

Place QO2150(VH), QO2175(VH) and QO2200(VH) next to line end, on the right side for top incoming applications.

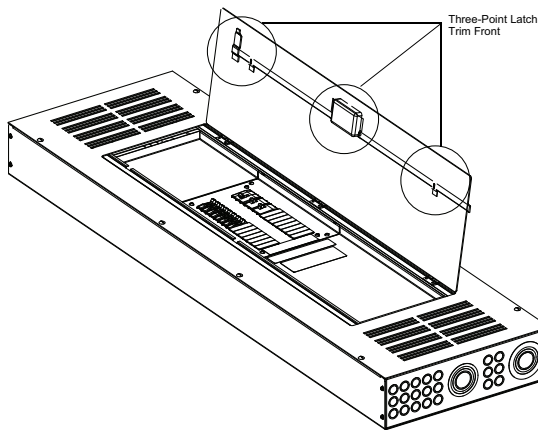
Place QO2150(VH), QO2175(VH) and QO2200(VH) next to line end, on the left side for bottom incoming applications.

QO2150(VH), QO2175(VH) and QO2200(VH) for single phase applications only.

Table 11 - Three-Point Latch Trim Fronts—Catalog Number⁸

Type	Surface Mounted	Flush Mounted
Standard	NC50VS3P	NC50VF3P
	NC56VS3P	NC50VF3P
	NC62VS3P	NC62VF3P
	NC68VS3P	NC68VF3P
	NC74VS3P	NC74VF3P
	NC80VS3P	NC80VF3P
	NC86VS3P	NC86VF3P
	NC92VS3P	NC92VF3P
Hinged	NC62VS3PHR	NC62VF3PHR
	NC68VS3PHR	NC68VF3PHR
	NC74VS3PHR	NC74VF3PHR
	NC80VS3PHR	NC80VF3PHR
	NC86VS3PHR	NC86VF3PHR
	NC92VS3PHR	NC92VF3PHR

Figure 11 - Three-Point Latch Trim Front



8. V=Vented, HR=Hinged Right, 3P=Three Point.

Appendix 2: Accessory Kits

An assortment of field-installable accessory kits are available for NQ panelboards:

- Equipment Ground Bar Kits
- Oversized Neutral Lug Kits for 100–600 A Panelboards
- Sub-Feed Lug Kits for 100–400 A Panelboards
- Main Lug Kits
 - Mechanical Lug Kits—Aluminum
 - Mechanical Lug Kits—Copper
 - Versa-Crimp Compression Lug Kits—Aluminum
 - Versa-Crimp Compression Lug Kits—Copper
- Line Side Barrier and Neutral Bonding Strap Kits

Equipment Ground Bar Kits

Equipment ground bar kits, suitable for copper or aluminum wire, meet the grounding needs of NQ panelboards and QONQ load centers.

Table 12 - Equipment Ground Bar Kits Specifications

Panelboard		Use Ground Bar Kit Catalog Number	
Branch Circuit	Mains Rating	Aluminum ⁹	Copper ¹⁰
1–42	600 A Maximum	(1) PK27GTA	(1) PK27GTACU
54–84		(2) PK27GTA	(2) PK27GTACU



Ground bar mounting locations are identified by the ground symbol stamped into the back wall of the enclosure.

9. Aluminum bars suitable for 60°C or 75°C Copper or Aluminum conductors.

10. Copper bars suitable for 60°C or 75°C Copper conductors.

Oversized Neutral Lug Kits for 100–600 A Panelboards

Oversized neutral lug kits are available for applications where termination conductors of 3 AWG or larger are required for the neutral.

Table 13 - Oversized Neutral Lug Kits for 100–600 A Panelboard Specifications

Circuit Breaker Rating	Kit Catalog Number	Wire Size Al/Cu (mm ²)
70 A	QO70AN	(1) #12–#2 AWG Al ([1] 3.3–33.6) (1) #14–#4 AWG Cu ([1] 2.1–21.2)
80–100 A	NQ100AN	(1) #14–2/0 AWG Al/Cu ([1] 2.1–67.4)
80–120 A	Q1100AN	(1) #4–1/0 AWG Al/Cu ([1] 21.2–53.5)
110–150 A	Q1150AN ¹¹	(1) #1–2/0 AWG Al/Cu ([1] 42.4–67.4)
175–200 A	NQ200AN	(1) #4 AWG–300 kcmil Al/Cu ([1] 21.2–152)

Sub-Feed Lug Kits for 100–400 A Panelboards

Sub-feed main lugs are available for 100, 225, or 400 A applications.

Table 14 - Sub-Feed Lug Kits for 100–400 A Panelboards Specifications

Main Amps	Kit Catalog Number	Maximum Circuits
100	NQSFL1	18, 30
225	NQSFL2	30 ¹² , 42 ¹² , 54 ¹² , 72 ¹² , 84 ¹²
400	NQSFL4	30, 42, 54, 72, 84

11. Use Only use 1/0 (53.5 mm²) copper wire for 150 A branch circuit breaker applications.

12. These panels require an additional 6 inches (152.4 mm) for the box and trim, for proper wire bending space.

Main Lug Kits

Table 15 - Mechanical Lug Kits — Aluminum

Panelboard Amps	Kit Catalog Number	Wire Size Al/Cu (mm ²)
100	Standard	#6–2/0 AWG (13.3–67.43 mm ²)
225	Standard	#6 AWG–350 kcmil (13.3–177.3 mm ²)
400	Standard	(1) 1/0 AWG–750 kcmil (2) 1/0 AWG–350 kcmil ([1] 53.48–380 mm ²) ([2] 53.48–177.3 mm ²)
600	Standard	(2) 1/0 AWG–750 kcmil ([2] 53.48–380 mm ²)
	NQALM6A	(3) #6 AWG–250 kcmil ([3] 13.3–127 mm ²)

Table 16 - Mechanical Lug Kits — Copper

Panelboard Amps	Kit Catalog Number	Wire Size Al/Cu (mm ²)
100	NQCUM1	#6–2/0 AWG (13.3–67.43 mm ²)
225	NQCUM2	#6 AWG–250 kcmil (13.3–127 mm ²)
400	NQCUM4	(1) 1/0 AWG–750 kcmil (2) 1/0 AWG–350 kcmil ([1] 53.48–380 mm ²) ([2] 53.48–177.3 mm ²)
600	NQCUM6	

Table 17 - Versa-Crimp™ Compression Lug Kits — Aluminum

Panelboard Amps	Kit Catalog Number	Wire Size Al/Cu (mm ²)	Crimp Tool
100	NQALV1	#8–1/0 AWG (8.36–53.48 mm ²)	VC6 (All)
225	NQALV2	#4 AWG–300 kcmil (21.15–152 mm ²)	
400	NQALV4	(2) 2/0 AWG–500 kcmil ([2] 67.43–253.4 mm ²)	VC6–3, VC6–FT
600	NQALV6		

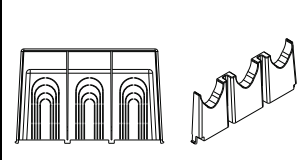
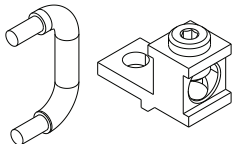
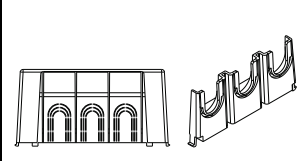
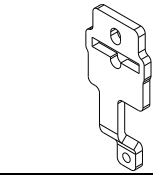
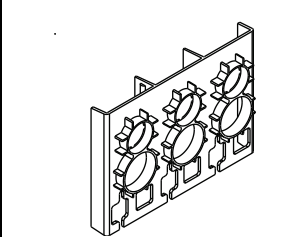
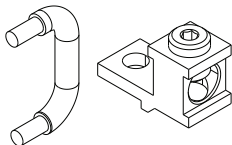
Table 18 - Versa-Crimp™ Compression Lug Kits — Copper

Panelboard Amps	Kit Catalog Number	Wire Size Al/Cu (mm ²)	Crimp Tool
100	NQCUV1	#6–1/0 AWG (13.30–53.48 mm ²)	VC6 (All), VC7 (All)
225	NQCUV2	2/0 AWG–300 kcmil (67.43–152 mm ²)	VC6-3, VC7, VC6-FT, VC7-FT
400	NQCUV4	400–750 kcmil (202.7–380 mm ²)	VC6-FT, VC7–FT, VC8
600	NQCUV6	(2) 250–500 kcm ([2] 126.7–253.4 mm ²)	VC6-3, VC7, VC6-FT, VC7-FT

Line Side Barrier and Neutral Bonding Strap Kits

Based on the application and the adopted installation code, a Line Side Barrier and Neutral Bonding Strap may be required. Select the appropriate barrier from the table below, based upon the main circuit breaker.

Table 19 - Line Side Barrier and Neutral Bonding Strap Kits

Catalog Number	Contents		Description
	Line Lug Cover	Neutral Bonding Strap	
NQLALLC			NQ LA/LH Line Lug Cover and Neutral Bonding Strap and Lug
NQJQLLC			NQ PowerPac™ H/J/Q Line Lug Cover and Neutral Bonding Strap
NQPPLLC			PowerPacT L Line Lug Cover and Neutral Bonding Strap and Lug

Tableros NQ/NQM y centros de carga QONQ

Clase 1640
80043-712-06, Rev. 08

Qué Contiene este Documento

Información de seguridad	1
Introducción	3
Instalación	5
Anexo 1: Especificaciones.....	20
Anexo 2: Kits de accesorios	41

Información de seguridad

Asegúrese de leer detenidamente estas instrucciones y examine el equipo para familiarizarse con él antes de instalarlo, hacerlo funcionar o prestarle servicio de mantenimiento. Los siguientes mensajes especiales pueden aparecer en esta guía del usuario o en el equipo para advertirle sobre peligros o para llamar su atención sobre cierta información que clarifica o simplifica un procedimiento.

Importado en México por:
Schneider Electric México, S.A.
de C.V.
Av. Ejército Nacional No. 904
Col. Palmas, Polanco 11560
México, D.F.
55-5804-5000

www.se.com/mx

Debido a que las normas, las especificaciones y el diseño cambian de vez en cuando, solicite confirmación de la información brindada en esta publicación.
© 2007 – 2024 Schneider Electric. Reservados todos los derechos





La adición de cualquiera de estos símbolos a una etiqueta de seguridad de “Peligro” o “Advertencia” indica la existencia de un peligro eléctrico que podrá causar lesiones personales si no se siguen las instrucciones.



Este es el símbolo de alerta de seguridad. Se usa para avisar sobre peligros de lesiones personales. Respete todos los mensajes de seguridad con este símbolo para evitar posibles lesiones o la muerte.

PELIGRO

PELIGRO indica una situación de peligro que, si no se evita, **podrá causar** la muerte o lesiones serias.

ADVERTENCIA

ADVERTENCIA indica una situación peligrosa que, si no se evita, **puede causar** la muerte o lesiones graves.

PRECAUCIÓN

PRECAUCIÓN indica una situación peligrosa que, si no se evita, **puede causar** lesiones menores o moderadas.

AVISO

AVISO se usa para abordar prácticas no relacionadas con lesiones físicas.

NOTA: Proporciona información adicional para clarificar o simplificar un procedimiento.

Observe que

Solamente el personal calificado con especialización en electricidad deberá instalar, hacer funcionar y prestar servicios de mantenimiento al equipo eléctrico. Schneider Electric no asume responsabilidad alguna por las consecuencias que surjan de la utilización de este material.

Una persona calificada es aquella que tiene destreza y conocimiento técnico relacionado con la construcción, instalación y funcionamiento del equipo eléctrico; asimismo, esta persona ha recibido capacitación sobre seguridad con la cual puede reconocer y evitar los riesgos involucrados.

Los equipos eléctricos deben transportarse, almacenarse, instalarse y operarse únicamente en el entorno para el que fueron diseñados.

Introducción

Este boletín contiene instrucciones para instalar tableros de interruptores automáticos y centros de carga QONQ de la marca Square D™. Estos tableros y centros de carga están homologados por Underwriters Laboratories (cULus) y admiten interruptores automáticos de derivación QO™ y QOB.

NOTA: Para obtener asistencia técnica sobre la instalación de este tablero, comuníquese con el Centro de información al cliente de Schneider Electric llamando al 1-888-778-2733.

NOTA: Consulte en las etiquetas del equipo los valores nominales y la información de seguridad. Junto con este documento se facilitan etiquetas adicionales para los equipos.

Precauciones de seguridad

PELIGRO

PELIGRO DE DESCARGA ELÉCTRICA, EXPLOSIÓN O DESTELLO POR ARCO ELÉCTRICO

- Utilice el equipo de protección personal (EPP) apropiado y siga las prácticas de seguridad para trabajos eléctricos. Consulte las normas NFPA 70E, NOM-029-STPS o CSA Z462, o sus equivalentes locales.
- Solo el personal capacitado en electricidad deberá instalar y prestar servicio de mantenimiento a este equipo.
- Desenergice todas las fuentes de alimentación del equipo antes de realizar cualquier trabajo dentro o fuera de él.
- Siempre utilice un dispositivo detector de tensión de valor nominal adecuado para confirmar que el equipo esté desenergizado.
- Lea y comprenda todo este boletín de instrucciones y la publicación de normas NEMA PB 1.1 incluida antes de instalar, operar o realizar el mantenimiento de este equipo.
- Los códigos locales varían, se aceptan y hacen cumplir para fomentar la seguridad en instalaciones eléctricas. Es posible que necesite un permiso para realizar el trabajo eléctrico y, en algunos casos, algunos códigos pueden requerir una inspección del trabajo eléctrico efectuado.
- Vuelva a colocar todos los dispositivos, las puertas y las cubiertas antes de energizar este equipo.
- No permita que superficies no metálicas de este producto entren en contacto con pintura, solventes o rocíos basados en derivados del petróleo.

El incumplimiento de estas instrucciones tendrá como resultado la muerte o lesiones graves.



ADVERTENCIA: Este producto puede exponerlo a químicos, incluidos compuestos de níquel, que son conocidos por el estado de California como causantes de cáncer, y Bisfenol A (BPA), que es conocido por el estado de California como causante de defectos de nacimiento u otros daños reproductivos. Para obtener más información, visite www.P65Warnings.ca.gov.

Instalación

Esta sección proporciona instrucciones para los siguientes procedimientos del tablero NQ y del centro de carga QONQ:

- Montaje interior para gabinetes de la marca Square D, página 5.
- Instalación del cable/correa de conexión neutra, página 8.
- Instalación y extracción de interruptores automáticos QO y QOB, página 14.
- Instrucciones de restablecimiento del interruptor automático, página 17.
- Preparación del frente muerto, página 18.

Montaje interior para gabinetes de la marca Square D

Con este equipo se ha suministrado una publicación de normas separada, titulada "Instrucciones generales para la correcta instalación, operación y mantenimiento de tableros de distribución de 600 voltios o menos" (NEMA PB1.1). Familiarícese con el contenido de este documento antes de proceder con cualquiera de los siguientes procedimientos.

Si no ha recibido una copia de este documento o si tiene alguna pregunta sobre este equipo, póngase en contacto con su distribuidor local o representante de Schneider Electric.

PELIGRO

PELIGRO DE DESCARGA ELÉCTRICA, EXPLOSIÓN O ARCO ELÉCTRICO

- Asegúrese de que todas las conexiones de campo estén correctamente apretadas.
- No apriete demasiado ni de manera insuficiente las conexiones. Antes de apretar las conexiones, consulte la etiqueta de información sobre el apriete indicado en el cuadro de distribución.

El incumplimiento de estas instrucciones tendrá como resultado la muerte o lesiones graves.

Para montar e instalar correctamente el interior del tablero NQ o del centro de carga QONQ, consulte la publicación de normas NEMA PB 1.1 y siga las instrucciones que se indican a continuación para cualquiera de los dos casos, ya sea Montaje en superficie (gabinete montado en la pared), página 6 o Montaje empotrado (gabinete empotrado en la pared), página 6.

Montaje en superficie (gabinete montado en la pared)

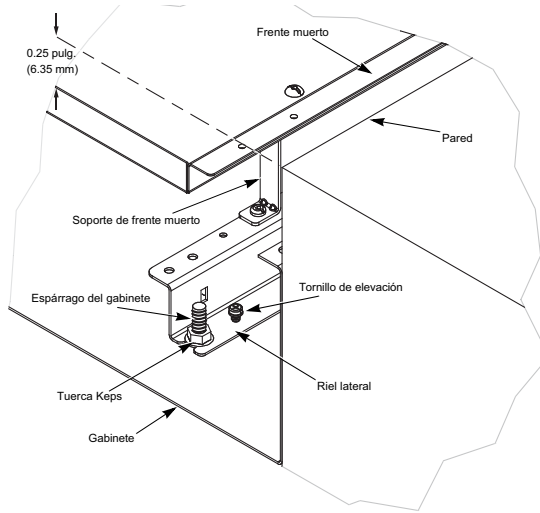
1. Monte el gabinete según las instrucciones de la publicación de normas NEMA PB 1.1.
2. Retire el frente muerto de los soportes del frente muerto.
3. Instale el interior como se describe a continuación:
 - a. Coloque el interior sobre los montantes del gabinete. No es necesario un tornillo elevador (consulte Montaje interior para gabinetes de la marca Square D, página 5).
 - b. Apriete las tuercas Keps contra los rieles laterales interiores hasta que los rieles queden contra la parte posterior del gabinete.
4. Según la aplicación y el código de instalación que adopte, puede ser necesaria una correa de conexión neutra y una barrera lateral de línea. Consulte Instalación del cable/correa de conexión neutra, página 8 y Anexo 2: Kits de accesorios, página 41.
5. Coloque las etiquetas del equipo (situadas en el conjunto de la bolsa) siguiendo las instrucciones del reverso de la hoja de etiquetas del equipo. Consulte los códigos y normas locales.
6. Vuelva a montar el frente muerto después del cableado.

Montaje empotrado (gabinete empotrado en la pared)

1. Monte el gabinete según las instrucciones de la publicación de normas NEMA PB 1.1.

2. Retire el frente muerto de los soportes del frente muerto.
3. Instale el interior como se describe a continuación:
 - a. Enrosque los (4) tornillos elevadores autorroscantes 10-32 x 0,875 in suministrados con la moldura a ras en los rieles laterales.
 - b. Coloque el interior sobre los montantes del gabinete (consulte Montaje interior de gabinetes de la marca Square D, página 8). Coloque las tuercas Keps en los espárragos del gabinete, pero no las apriete.
 - c. Ajuste los tornillos de modo que el labio del frente muerto quede aproximadamente a 6,35 mm (0,25 in) de la línea de la pared.
 - d. Apriete las tuercas Keps contra las barandillas laterales.
4. Según la aplicación y el código de instalación que adopte, puede ser necesaria una correa de conexión neutra y una barrera lateral de línea. Consulte los códigos y normas locales. Consulte Instalación del cable/correa de conexión neutra, página 8 y Anexo 2: Kits de accesorios, página 41.
5. Coloque las etiquetas del equipo (situadas en el conjunto de la bolsa) siguiendo las instrucciones del reverso de la hoja de etiquetas del equipo.
6. Vuelva a montar el frente muerto después del cableado.

Figura 1 - Montaje interior en gabinetes marca Square D



Instalación del cable/correa de conexión neutra

En función de la aplicación y del código de instalación adoptado, puede ser necesaria una barrera en el lado de la línea y una correa de conexión neutra.

Para conectar correctamente el neutro al tablero, siga las instrucciones para Tableros NQ de 100 o 250 A máximo, o Tableros NQ y centros de carga QONQ de 400 o 600 A máximo, página 11.

⚠ PELIGRO**PELIGRO DE DESCARGA ELÉCTRICA, EXPLOSIÓN O DESTELLO POR ARCO ELÉCTRICO**

- Utilice el equipo de protección personal (EPP) apropiado y siga las prácticas de seguridad para trabajos eléctricos. Consulte las normas NFPA 70E, NOM-029-STPS o CSA Z462 o sus equivalentes locales.
- Desenergice todas las fuentes de alimentación del equipo antes de realizar cualquier trabajo dentro o fuera de él.
- La correa/cable de conexión neutra solo debe utilizarse cuando el tablero se instala como equipo de entrada de servicio.
- No mezcle los tornillos de montaje con los tornillos del frente muerto.

El incumplimiento de estas instrucciones tendrá como resultado la muerte o lesiones graves.

NOTA: Consulte Kits de barrera lateral de línea y correa de conexión neutra, página 45 para obtener información.

NOTA: Los términos "correa de conexión neutra" y "cable de conexión neutra" describen los componentes que cumplen los requisitos de un "conductor de conexión neutra". Son términos equivalentes.

Tableros NQ de 100 o 250 A máximo

Para instalar una correa de conexión neutra en tableros NQ con redes de hasta 225 A (con zapatas principales o interruptor automático principal), o hasta 250 A con un interruptor automático principal montado en fábrica, consulte *Instalación de la correa de conexión: 100 o 250 A máximo en tableros NQ*, página 11 y siga las siguientes instrucciones.

1. Alinee la correa de conexión en el riel lateral, como se muestra en la figura.

NOTA: Para algunas aplicaciones, puede ser necesario retirar la zapata (no aparece en la imagen) antes de instalar la correa de conexión.

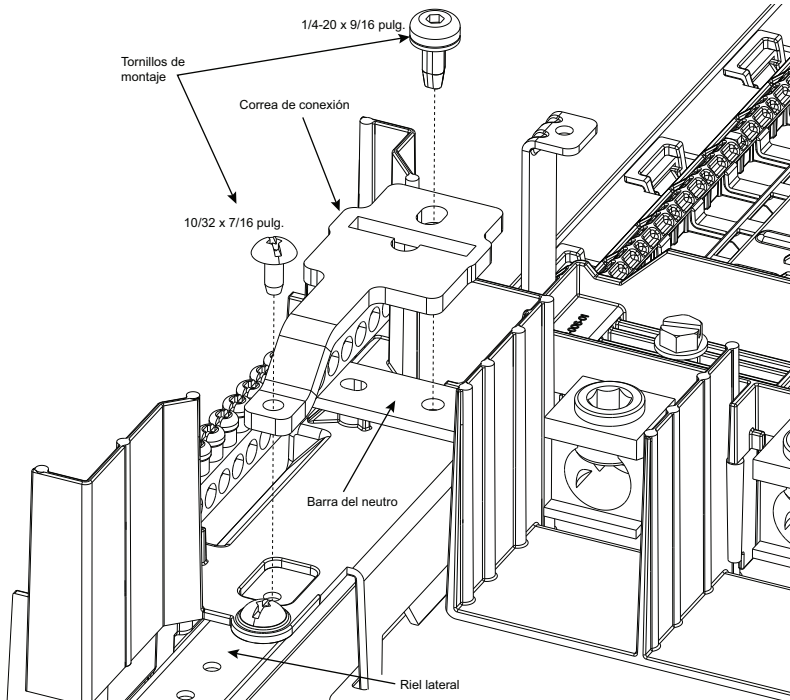
2. Inserte los dos tornillos de montaje, como se muestra en la imagen. Apriete el tornillo de 10-32 a 10-12 lb.-in. (1,1-1,4 N·m) y los tornillos de 1/4-20 a 25-30 lb.-in. (2,8-3,4 N·m).

NOTA: Los tornillos de montaje de la zapata se incluyen en el conjunto de la bolsa de la correa de conexión.

- a. Si la zapata se retiró en el paso 1 anterior, vuelva a instalarla en la parte superior de la correa de conexión. Apriete el tornillo de 10-32 a 10-12 lb.-in. (1,1-1,4 N·m) y los tornillos de 1/4-20 a 25-30 lb.-in. (2,8-3,4 N·m).
- b. Utilice un tornillo de 1/4-20 x 9/16 in en el montaje para interiores 100/225 A sin opciones. Consulte las notas C y D para conocer otras opciones.
- c. Utilice el tornillo de montaje de zapatas de 1/4-20 x 11/16 in en aplicaciones con zapatas de paso, zapatas de subalimentación, interruptores automáticos de subalimentación o aplicaciones con un neutro al 200 %.
- d. Utilice el tornillo de montaje de la zapata de 1/4-20 x 7/8 in en aplicaciones con neutros al 200 % y con zapatas de alimentación de paso, zapatas de alimentación secundaria o interruptores automáticos de alimentación secundaria.

Figura 2 - Instalación de la correa de conexión: tableros NQ de 100 o 250 A máximo

NOTA: Para las opciones de zapatas de correa de conexión, consulte C y D para conocer la longitud correcta del tornillo 1/4-20.

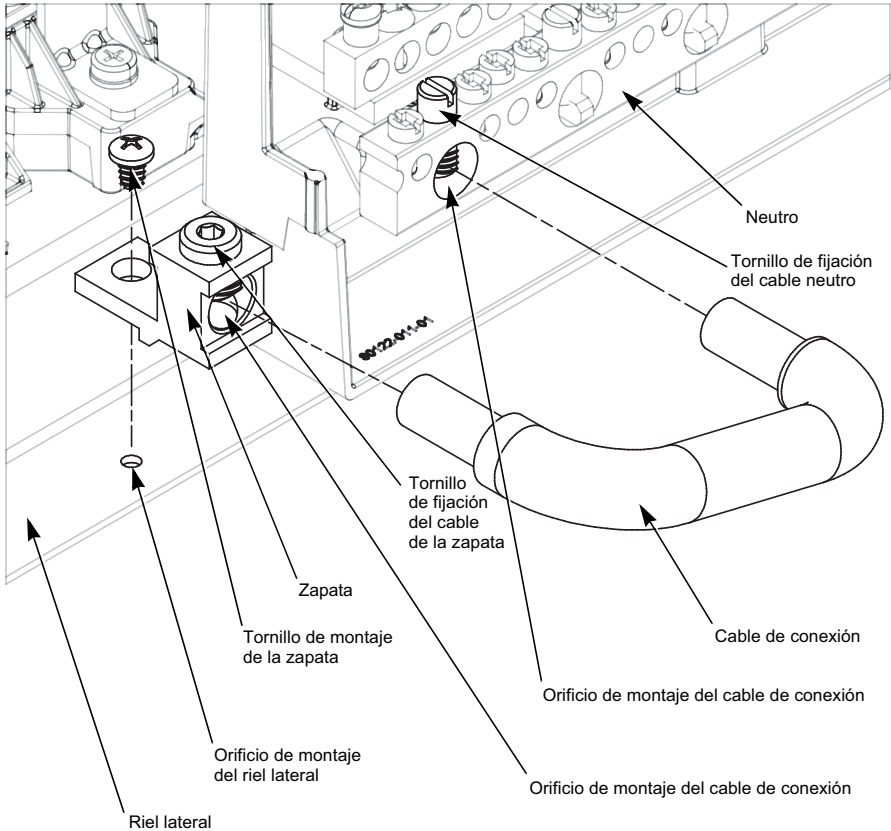


Tableros NQ y centros de carga QONQ de 400 o 600 A máximo

Para instalar un cable conexión neutra en un tablero NQ de 400 o 600 A máximo y en un centro de carga QONQ, consulte *Instalación del cable de conexión: tableros NQ y centros de carga QONQ de 400 o 600 A máximo*, página 13 y siga las instrucciones que se indican a continuación.

1. Alinee la zapata en el orificio de montaje del riel lateral, como se muestra en la imagen.
2. Apriete el tornillo de montaje de la zapata contra el riel lateral a 10-12 lb.-in. (1,1-1,4 N·m).
3. Alinee el cable de conexión, tal como se muestra en la imagen, e insértelo en los orificios de montaje de la zapata y el neutro.
4. Apriete los tornillos de sujeción de los conductores de zapatas y los tornillos de sujeción de los conductores de neutro a 45-50 lb. -in. (5,1-5,6 N·m).

Figura 3 - Instalación del cable de conexión: tableros NQ y centros de carga QONQ de 400 o 600 A máximo



Instalación y extracción de interruptores automáticos QO y QOB

PELIGRO

PELIGRO DE DESCARGA ELÉCTRICA, EXPLOSIÓN O DESTELLO POR ARCO ELÉCTRICO

- Utilice el equipo de protección personal (EPP) apropiado y siga las prácticas de seguridad para trabajos eléctricos. Consulte las normas NFPA 70E, NOM-029-STPS o CSA Z462, o sus equivalentes locales.
- Solo el personal capacitado en electricidad deberá instalar y prestar servicio de mantenimiento a este equipo.
- Desenergice todas las fuentes de alimentación del equipo antes de realizar cualquier trabajo dentro o fuera de él.
- Siempre utilice un dispositivo detector de tensión de valor nominal adecuado para confirmar que el equipo esté desenergizado.
- Todos los espacios no utilizados deben rellenarse con placas de relleno.
- Vuelva a colocar todos los dispositivos, las puertas y las cubiertas antes de energizar este equipo.
- Utilice solo interruptores automáticos™ y accesorios de las marcas™ Square D y Schneider Electric. Este equipo ha sido diseñado y probado por Schneider Electric con niveles de rendimiento que cumplen las normas regulatorias aplicables.
- Asegúrese de que todas las conexiones de campo estén correctamente apretadas.
- No apriete demasiado ni de manera insuficiente las conexiones. Antes de apretar las conexiones, consulte la etiqueta de información sobre el apriete indicado en el cuadro de distribución.

El incumplimiento de estas instrucciones tendrá como resultado la muerte o lesiones graves.

Instalación de interruptores automáticos QO y QOB

Consulte Instalación y extracción de interruptores automáticos QO y QOB, página 16 para las siguientes instrucciones:

1. Desconecte toda la alimentación del tablero.
2. Desactive el interruptor automático.
3. Quite el frente muerto.
4. Encaje el extremo del terminal del cable del interruptor automático en el riel de montaje.
5. Enganche el conector de derivación.

Para interruptores automáticos QO: Empuje hacia adentro hasta que las mordazas enchufables se acoplen completamente al conector de derivación.

Para interruptores automáticos QOB: Empuje hacia dentro hasta que el conector del interruptor automático quede centrado en el orificio de montaje del conector de derivación. Enganche el tornillo en el orificio del conector de derivación y apriételo a los valores de torque indicados en el diagrama interior de cableado y torque.

6. Instale el cable de carga.
7. Vuelva a instalar el frente muerto.
8. Instale una placa de relleno en todos los espacios de interruptores automáticos de derivación no utilizados.

Extracción de interruptores automáticos QO y QOB

Consulte Instalación y extracción de interruptores automáticos QO y QOB, página 16 para las siguientes instrucciones:

1. Desconecte toda la alimentación del tablero.
2. Quite el frente muerto.
3. Extraiga el cable de carga.

4. Desenganche el conector de derivación.

Para interruptores automáticos QO:

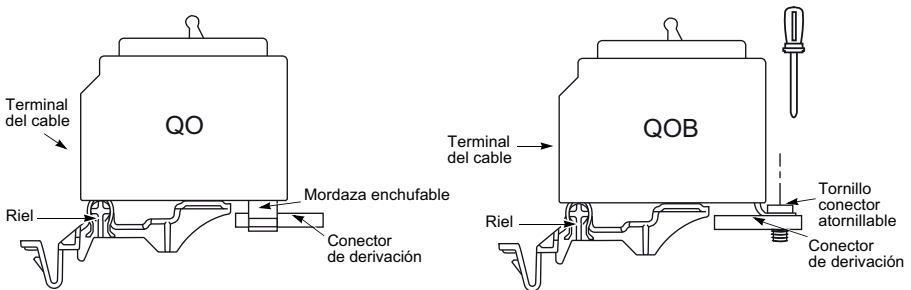
Jale hacia afuera hasta que las garras de enchufe desenganchen completamente el conector de derivación.

Para interruptores automáticos QOB:

Afloje el tornillo del conector del interruptor automático y extraiga el interruptor automático del conector de derivación.

5. Retire el extremo del terminal de alambre del interruptor automático del riel de montaje.
6. Vuelva a instalar el frente muerto.
7. Instale una placa de relleno en todos los espacios de interruptores automáticos de derivación no utilizados.

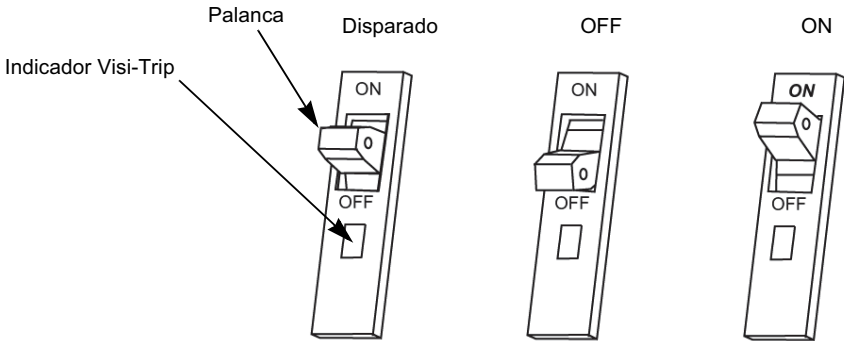
Figura 4 - Instalación y extracción de interruptores automáticos QO y QOB



Instrucciones de restablecimiento del interruptor automático

Si se dispara el interruptor automático, la palanca estará en la posición intermedia entre ON y OFF. Para restablecer el interruptor automático, empuje la palanca a la posición OFF y, a continuación, a la posición ON.

Figura 5 - Posiciones de la palanca del interruptor automático



NOTA: Cuando el interruptor automático se ha disparado, la palanca adopta una posición central y el indicador rojo Visi-Trip aparece en una ventana de la caja del interruptor automático. El indicador rojo Visi-Trip solo es visible cuando se dispara el interruptor automático.

Preparación del frente muerto

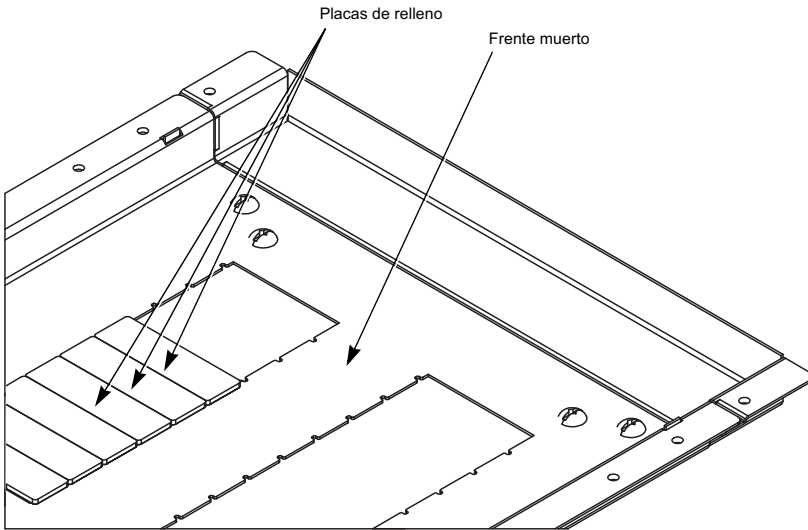
PELIGRO

PELIGRO DE DESCARGA ELÉCTRICA, EXPLOSIÓN O DESTELLO POR ARCO ELÉCTRICO

- Utilice el equipo de protección personal (EPP) apropiado y siga las prácticas de seguridad para trabajos eléctricos. Consulte las normas NFPA 70E, NOM-029-STPS o CSA Z462, o sus equivalentes locales.
- Antes de energizar el tablero, todos los espacios no utilizados deben rellenarse con placas de relleno.
- Vuelva a colocar todos los dispositivos, las puertas y las cubiertas antes de energizar este equipo.

El incumplimiento de estas instrucciones tendrá como resultado la muerte o lesiones graves.

Figura 6 - Diagrama del frente muerto



NOTA: En la parte posterior del frente muerto figura el número de catálogo de las placas de relleno compatibles correspondientes.

Anexo 1: Especificaciones

Cableado habitual

En el tablero encontrará información adicional. Consulte la capacidad del interruptor automático principal, si se utiliza.

Tabla 1 - Cableado habitual del tablero

Tensión de la CA	Tableros de 1 fase		Tableros de 3 fase	
	Fase	Cables	Fase	Cables
208Y/120	—	—	3	4
120/240	1	3	—	—
240 ¹	1	2	3	4
240 ²	1	3	—	—
240/120 ³	—	—	3	4 Delta

1. Para este sistema, no se utiliza el neutro y solo deben emplearse interruptores automáticos de 240 Vca como mínimo. No utilice interruptores automáticos de 120 V o 120/240 Vca.
2. Para un sistema de fase "B" conectado a tierra, solo deben utilizarse interruptores automáticos de 240 Vca como mínimo. No utilice interruptores automáticos de 120 V o 120/240 Vca.
3. Cuando se cablea para un sistema delta, las fases "A" y "C" deben ser de 120 V a neutro, la fase "B" de 208 V a neutro. Conecte solo interruptores automáticos de 240 Vca como mínimo. No utilice interruptores automáticos de 120 V o 120/240 V a fase "B".

Alimentación integral principal o secundaria

PowerPacT con marcos H, J, L y Q; LA, LH, QO(B)(VH)

Figura 7 - Zapatas principales NQ/NQM 100-225 A o diagrama del interruptor automático principal 100-250 A

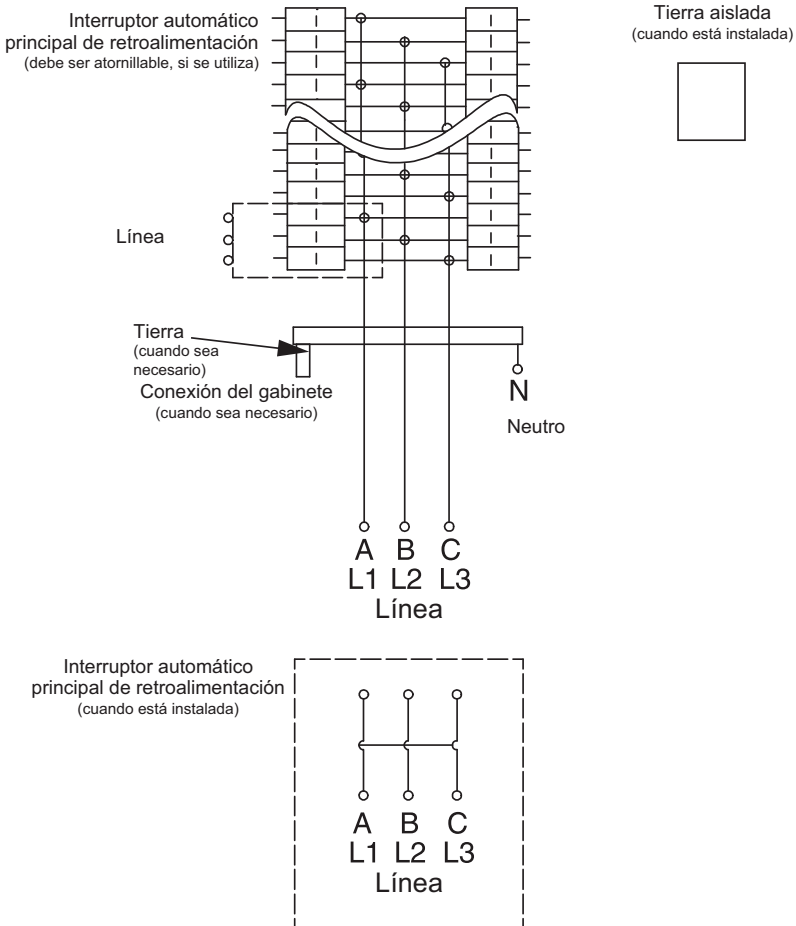


Figura 8 - Tablero NQ o centro de carga QONQ de 400-600 A o interruptor automático principal con o sin diagrama de zapatas de paso

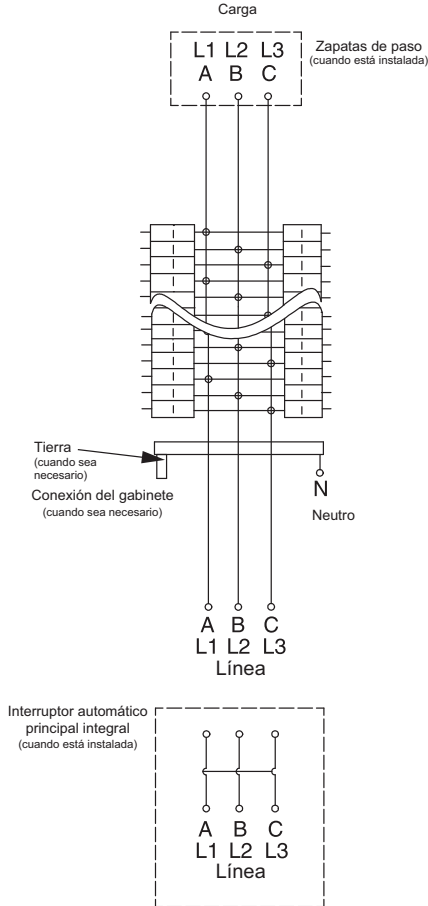


Figura 9 - Tablero NQ o centro de carga QONQ Interruptor automático principal de 400-600 A con zapatas de alimentación de paso o interruptores automáticos de alimentación secundaria

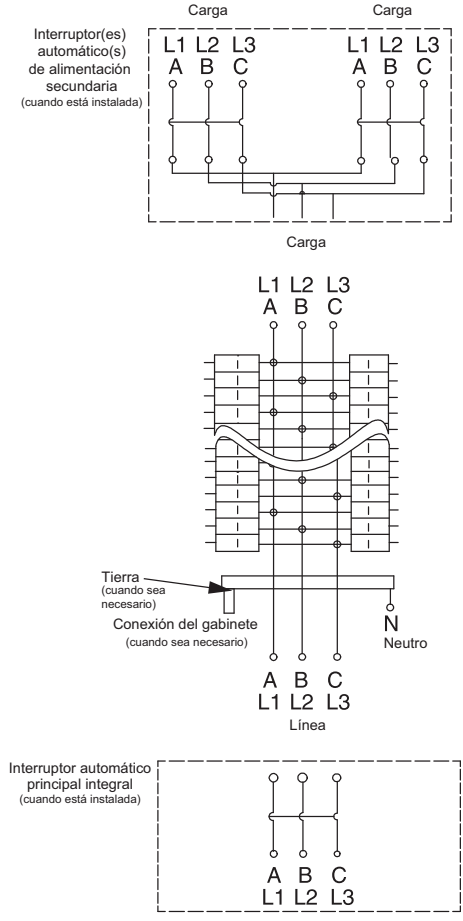
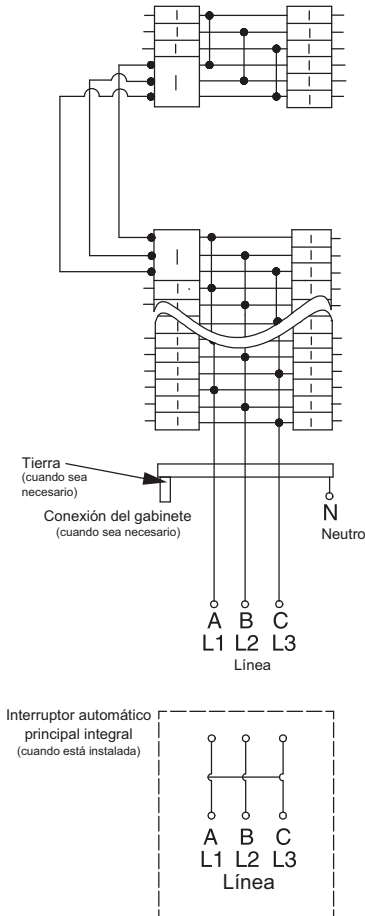


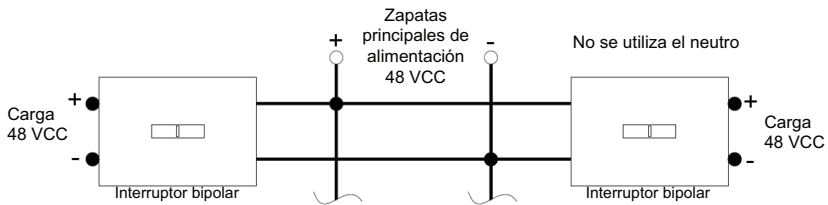
Figura 10 - Tablero NQ habitual con diagrama de barra partida



Adecuado para su uso en sistemas de un máximo de 48 VCC

Para uso exclusivo en sistemas sin conexión a tierra de un máximo de 48 VCC. Utilice únicamente interruptores automáticos de tipo QO (B) bipolares, derivados, de 10 A - 60 A o principales de alimentación derivada, con sufijo 5272, que estén clasificados para un máximo de 48 VCC. La corriente nominal de cortocircuito está limitada a 5 kA cuando se lo utiliza en un sistema de 48 VCC.

Para los interruptores automáticos principales y de subalimentación montados verticalmente, use solo interruptores automáticos de marcos H, J y LA/LH. La corriente nominal de cortocircuito está limitada a 20 kA (marco H, J), 10 kA (marco LA) y 50 kA (marco LH) cuando se lo usa en un sistema de 48 VCC.



Clasificación de tableros eléctricos

Consulte los códigos y normas locales para obtener más información. La etiqueta del sistema nominal de serie se encuentra en el conjunto de la bolsa.

Valores nominales de los interruptores automáticos conectados en serie (RMS simétrico)

- Las clasificaciones de serie que figuran con tensiones de sistema más elevadas se aplican para tensiones de sistema más bajas (ejemplo: 240 3P/3W abarca 208Y/120 3P/4W).
- Las pruebas de cortocircuito se realizan al 100-105 % de la tensión nominal máxima del tablero.
- "MC" significa interruptores automáticos de misión crítica.
- El tipo LG mostrado puede sustituirse por LJ y LL.
- A menos que se indique lo contrario, los interruptores automáticos principales pueden aplicarse al amperaje máximo disponible.

- Los sufijos HID, SWD y SWN pueden aplicarse también a los interruptores automáticos de derivación correspondientes que se muestran a continuación.
- Los interruptores automáticos QO(B) que se muestran a continuación pueden sustituirse por los interruptores automáticos QO(B)H, QO(B)VH y QH(B).
- En los sistemas trifásicos no se pueden usar interruptores automáticos CAFI bipolares.

Tabla 2 - Máxima tensión CA del sistema: 120/240 1P/3W, 208Y/120 3P/4W, 240/120 3P/4W

Corriente nominal de cortocircuito máxima	Interruptores automáticos principales y fusibles principales remotos de la marca Square D	Designación del catálogo de interruptores automáticos de derivación de la marca Square D y rangos de amperaje permitidos			
		Tipo	1 polo	2 polos	3 polos
18,000	LA/LH MC	QO(B)	15–30 A	15–30 A	—
22,000	QO(B) VH QOB-VH	QO(B)	15–70 A	15–125 A	—
		QO(B) GFI	15–30 A	15–60 A	—
		QO(B) EPD	15–30 A	15–60 A	—
		QO(B) PL	15–30 A	15–60 A	—
		QO(B) AFI	15–20 A	—	—
		QO(B) CAFI	15–20 A	15–20 A	—
		QO(B) DF	15–20 A	—	—

Tabla 2 - Máxima tensión CA del sistema: 120/240 1P/3W, 208Y/120 3P/4W, 240/120 3P/4W (Continuación)

Corriente nominal de cortocircuito máxima	Interruptores automáticos principales y fusibles principales remotos de la marca Square D	Designación del catálogo de interruptores automáticos de derivación de la marca Square D y rangos de amperaje permitidos			
		Tipo	1 polo	2 polos	3 polos
25,000	QD	QO(B)	15-70 A	15-125 A	—
		QOB-VH	—	150 A	—
		QO(B) PL	15-30 A	15-60 A	—
		QO(B) GFI	15-30 A	15-60 A	—
		QO(B) EPD	15-30 A	15-60 A	—
		QO(B) AFI	15-20 A	—	—
		QO(B) CAFI	15-20 A	15-20 A	—
		QO(B) DF	15-20 A	—	—
	ED	QO(B)	15-70 A	15-125 A	—
		QO(B) GFI	15-30 A	15-60 A	—
		QO(B) EPD	15-30 A	15-60 A	—
		QO(B) AFI	15-20 A	—	—
		QO(B) CAFI	15-20 A	15-20 A	—
		QO(B) DF	15-20 A	—	—
	BD, HD, JD, LG	QO(B)	15-70 A	15-125 A	—
		QOB-VH	—	150 A	—
		QO(B) PL	15-30 A	15-60 A	—
		QO(B) GFI	15-30 A	15-60 A	—
		QO(B) EPD	15-30 A	15-60 A	—
		QO(B) AFI	15-20 A	—	—
	BD, HD, JD, LG	QO(B) CAFI	15-20 A	15-20 A	—
QO(B) DF		15-20 A	—	—	
42,000	LA, MA	QO(B)	15-30 A	15-30 A	—

Tabla 2 - Máxima tensión CA del sistema: 120/240 1P/3W, 208Y/120 3P/4W, 240/120 3P/4W (Continuación)

Corriente nominal de cortocircuito máxima	Interruptores automáticos principales y fusibles principales remotos de la marca Square D	Designación del catálogo de interruptores automáticos de derivación de la marca Square D y rangos de amperaje permitidos			
		Tipo	1 polo	2 polos	3 polos
65,000	QG	QO(B)	15-70 A	15-125 A	—
		QO(B) VH	15-70 A	15-125 A	—
		QOB-VH	—	150 A	—
		QO(B) GFI	15-30 A	15-60 A	—
		QO(B) PL	15-30 A	15-60 A	—
		QO(B) AFI	15-20 A	—	—
		QO(B) CAFI	15-20 A	15-20 A	—
		QO(B) DF	15-20 A	—	—
	EG	QO(B)	15-70 A	15-125 A	—
	EG	QO(B) GFI	15-30 A	15-60 A	—
		QO(B) EPD	15-30 A	15-60 A	—
		QO(B) EPE	—	—	—
		QO(B) AFI	15-20 A	—	—
		QO(B) CAFI	15-20 A	15-20 A	—
		QO(B) DF	15-20 A	—	—
	BG, HG, JG, LG	QO(B)	15-70 A	15-125 A	—
		QOB-VH	—	150 A	—
		QO(B) PL	15-30 A	15-60 A	—
		QO(B) GFI	15-30 A	15-60 A	—
		QO(B) EPD	15-30 A	15-60 A	—
		QO(B) AFI	15-20 A	—	—
		QO(B) CAFI	15-20 A	15-20 A	—
		QO(B) DF	15-20 A	—	—

Tabla 2 - Máxima tensión CA del sistema: 120/240 1P/3W, 208Y/120 3P/4W, 240/120 3P/4W (Continuación)

Corriente nominal de cortocircuito máxima	Interruptores automáticos principales y fusibles principales remotos de la marca Square D	Designación del catálogo de interruptores automáticos de derivación de la marca Square D y rangos de amperaje permitidos			
		Tipo	1 polo	2 polos	3 polos
100,000	QJ	QO(B)	15-70 A	15-125 A	—
		QOB-VH	—	150 A	—
		QO(B) PL	15-30 A	15-60 A	—
		QO(B) GFI	15-30 A	15-60 A	—
		QO(B) EPD	15-30 A	15-60 A	—
		QO(B) AFI	15-20 A	—	—
		QO(B) CAFI	15-20 A	15-20 A	—
		QO(B) DF	15-20 A	—	—
	EJ	QO(B)	15-70 A	15-125 A	—
		QO(B) GFI	15-30 A	15-60 A	—
	EJ	QO(B) EPD	15-30 A	15-60 A	—
		QO(B) AFI	15-20 A	—	—
		QO(B) CAFI	15-20 A	15-20 A	—
		QO(B) DF	15-20 A	—	—
	BJ, HJ, JJ	QO(B)	15-70 A	15-125 A	—
		QOB-VH	—	150 A	—
		QO(B) PL	15-30 A	15-60 A	—
		QO(B) GFI	15-30 A	15-60 A	—
		QO(B) EPD	15-30 A	15-60 A	—
		QO(B) AFI	15-20 A	—	—
		QO(B) CAFI	15-20 A	15-20 A	—
		QO(B) DF	15-20 A	—	—
	LJ	QO(B)	15-70 A	15-125 A	—
		QOB-VH	—	150 A	—
		QO(B) GFI	—	15-60 A	—
		QO(B) EPD	—	15-60 A	—
		QO(B) AFI	15-20 A	—	—
		QO(B) CAFI	15-20 A	15-20 A	—
QO(B) DF		15-20 A	—	—	

Tabla 2 - Máxima tensión CA del sistema: 120/240 1P/3W, 208Y/120 3P/4W, 240/120 3P/4W (Continuación)

Corriente nominal de cortocircuito máxima	Interruptores automáticos principales y fusibles principales remotos de la marca Square D	Designación del catálogo de interruptores automáticos de derivación de la marca Square D y rangos de amperaje permitidos			
		Tipo	1 polo	2 polos	3 polos
125,000	HL, JL	QO(B)	15–70 A	15–125 A	—
		QOB-VH	—	150 A	—
		QO(B) PL	15–30 A	15–60 A	—
		QO(B) GFI	15–30 A	15–60 A	—
		QO(B) EPD	15–30 A	15–60 A	—
		QO(B) AFI	15–20 A	—	—
		QO(B) CAFI	15–20 A	15–20 A	—
		QO(B) DF	15–20 A	—	—
200,000	HR, JR	QO(B)	15–70 A	15–125 A	—
		QO(B) GFI	15–30 A	15–60 A	—
		QO(B) EPD	15–30 A	15–60 A	—
		QO(B) AFI	15–20 A	—	—
	HR, JR	QO(B) CAFI	15–20 A	15–20 A	—
		QO(B) DF	15–20 A	—	—

Tabla 3 - Máxima tensión CA del sistema: 240 1P/2W

Corriente nominal de cortocircuito máxima	Interruptores automáticos principales y fusibles principales remotos de la marca Square D	Designación del catálogo de interruptores automáticos de derivación de la marca Square D y rangos de amperaje permitidos			
		Tipo	1 polo	2 polos	3 polos
25,000	QD, BD, HD, JD, LG	QO(B) H	—	15–100 A	—
42,000	LA, MA	QDL	—	70–225 A	—
65,000	QG, BG, HG, JG, LG	QO(B) H	—	15–100 A	—
100,000	BJ, HJ, JJ, LJ	QO(B) H	—	15–100 A	—
125,000	HL, JL	QO(B) H	—	15–100 A	—

Tabla 4 - Máxima tensión CA del sistema: 208Y/120 3P/4W

Corriente nominal de cortocircuito máxima	Interruptores automáticos principales y fusibles principales remotos de la marca Square D	Designación del catálogo de interruptores automáticos de derivación de la marca Square D y rangos de amperaje permitidos			
		Tipo	1 polo	2 polos	3 polos
18,000	LA/LH MC	QO(B)	—	—	15–30 A
22,000	QO(B) VH, QOB-VH	QO(B) GFI	—	—	15–50 A

Tabla 4 - Máxima tensión CA del sistema: 208Y/120 3P/4W (Continuación)

Corriente nominal de cortocircuito máxima	Interruptores automáticos principales y fusibles principales remotos de la marca Square D	Designación del catálogo de interruptores automáticos de derivación de la marca Square D y rangos de amperaje permitidos			
		Tipo	1 polo	2 polos	3 polos
25,000	QD, ED, FD, BD, HD, JD	QO(B) GFI	—	—	15–50 A
	LG	QO(B) GFI	—	—	15–30 A
65,000	QG, EG, BG, HG, JG	QO(B) GFI	—	—	15–50 A
	LG	QO(B) GFI	—	—	15–30 A
100,000	QJ	QO(B)	—	—	15–30 A
		QO(B) VH	—	—	15–100 A
		QOB-VH	—	—	110–150 A
		QO(B) PL	—	—	15–30 A
		QO(B) GFI	—	—	15–50 A
		QO(B) EPD	—	—	15–50 A
		QO(B) EPE	—	—	15–50 A
	EJ, BJ, HJ, JJ	QO(B) GFI	—	—	15–50 A

Tabla 5 - Máxima tensión CA del sistema: 240/120 3P/4W, 240 3P/3W

Corriente nominal de cortocircuito máxima	Interruptores automáticos principales y fusibles principales remotos de la marca Square D	Designación del catálogo de interruptores automáticos de derivación de la marca Square D y rangos de amperaje permitidos			
		Tipo	1 polo	2 polos	3 polos
22,000	QOB VH QOB-VH	QO(B)	—	—	15–100 A
		QO(B) EPD	—	—	15–50 A
		QO(B) EPE	—	—	15–50 A
25,000	QD	QO(B)	—	—	15–30 A
	QD	QO(B) VH	—	—	15–100 A
		QOB-VH	—	—	110–150 A
		QO(B) PL	—	—	15–30 A
		QO(B) EPD	—	—	15–50 A
		QO(B) EPE	—	—	15–50 A
	ED	QO(B)	—	—	15–100 A
		QO(B) EPD	—	—	15–50 A
		QO(B) EPE	—	—	15–50 A
	BD, HD, JD	QO(B)	—	—	15–100 A
		QOB-VH	—	—	110–150 A
		QO(B) PL	—	—	15–30 A
		QO(B) EPD	—	—	15–50 A
		QO(B) EPE	—	—	15–50 A
	LG	QO(B)	—	—	15–30 A
		QO(B) VH	—	—	15–100 A
		QOB-VH	—	—	110–150 A
		QO(B) EPD	—	—	15–30 A
		QO(B) EPE	—	—	15–30 A
	42,000	LA, MA	QDL	—	—
QO(B) VH			—	—	15–30 A
MG		QOB-VH	—	—	110–150 A

**Tabla 5 - Máxima tensión CA del sistema: 240/120 3P/4W, 240 3P/3W
(Continuación)**

Corriente nominal de cortocircuito máxima	Interruptores automáticos principales y fusibles principales remotos de la marca Square D	Designación del catálogo de interruptores automáticos de derivación de la marca Square D y rangos de amperaje permitidos			
		Tipo	1 polo	2 polos	3 polos
65,000	QG	QO(B)	—	—	15–30 A
		QO(B) VH	—	—	15–100 A
	QG	QOB-VH	—	—	110–150 A
		QO(B) PL	—	—	15–30 A
	EG	QO(B)	—	—	15–100 A
		QOB-VH	—	—	110–125 A
		QO(B) EPD	—	—	15–50 A
		QO(B) EPE	—	—	15–50 A
	BG, HG, JG	QO(B)	—	—	15–100 A
		QOB-VH	—	—	110–150 A
		QO(B) PL	—	—	15–30 A
		QO(B) EPD	—	—	15–50 A
		QO(B) EPE	—	—	15–50 A
	LG	QO(B)	—	—	15–30 A
		QO(B) VH	—	—	15–100 A
		QOB-VH	—	—	110–150 A
		QO(B) EPD	—	—	15–30 A
QO(B) EPE		—	—	15–30 A	

**Tabla 5 - Máxima tensión CA del sistema: 240/120 3P/4W, 240 3P/3W
(Continuación)**

Corriente nominal de cortocircuito máxima	Interruptores automáticos principales y fusibles principales remotos de la marca Square D	Designación del catálogo de interruptores automáticos de derivación de la marca Square D y rangos de amperaje permitidos			
		Tipo	1 polo	2 polos	3 polos
100,000	EJ	QO(B)	—	—	15–100 A
		QOB-VH	—	—	110–125 A
		QO(B) EPD	—	—	15–50 A
		QO(B) EPE	—	—	15–50 A
	BJ, HJ, JJ	QO(B)	—	—	15–100 A
		QOB-VH	—	—	110–150 A
		QO(B) PL	—	—	15–30 A
		QO(B) EPD	—	—	15–50 A
		QO(B) EPE	—	—	15–50 A
	LJ	QO(B)	—	—	15–30 A
		QO(B) VH	—	—	15–100 A
		QOB-VH	—	—	110–150 A
125,000	HL, JL	QO(B)	—	—	15–100 A
	HL, JL	QOB-VH	—	—	110–150 A
		QO(B) PL	—	—	15–30 A
		QO(B) EPD	—	—	15–50 A
		QO(B) EPE	—	—	15–50 A
200,000	HR, JR	QO(B)	—	—	15–100 A
		QOB-VH	—	—	110–150 A

Tabla 6 - Máxima tensión CA del sistema: 120/240 1P/3W, 208Y/120 3P/4W, 240/120 3P/3W

Corriente nominal de cortocircuito máxima	Interruptores automáticos principales y fusibles principales remotos de la marca Square D	Designación del catálogo de interruptores automáticos de derivación de la marca Square D y rangos de amperaje permitidos			
		Tipo	1 polo	2 polos	3 polos
42,000	Fusibles de clase T3 de 400 A máx.	QO(B) VH	15–70 A	15–125 A	—
		QO(B) VH	15–70 A	15–125 A	—
65,000	Fusibles de clase J de 400 A máx.	QO(B) AFI	15–20 A	—	—
		QO(B) CAFI	15–20 A	15–20 A	—
		QO(B) DF	15–20 A	—	—
		QO(B) VH	15–70 A	15–125 A	—
	Fusibles de clase T6 de 400 A máx.	QOB-VH	—	150 A	—
		QO(B) AFI	15–20 A	—	—
		QO(B) CAFI	15–20 A	15–20 A	—
		QO(B) DF	15–20 A	—	—
100,000	Fusibles de clase T3 de 200 A máx.	QO(B)	15–70 A	15–125 A	—
		QO(B) GFI	15–30 A	15–60 A	—
		QO(B) EPD	15–30 A	15–60 A	—
		QO(B) AFI	15–20 A	—	—
		QO(B) CAFI	15–20 A	15–20 A	—
		QO(B) DF	15–20 A	—	—
200,000	Fusibles de clase T6 o J de 200 A máx.	QO(B)	15–70 A	15–125 A	—
		QO(B) GFI	15–30 A	15–60 A	—
		QO(B) EPD	15–30 A	15–60 A	—
	Fusibles de clase T3 de 400 A máx.	QO(B)	15–70 A	15–125 A	—
		QO(B) GFI	15–30 A	15–60 A	—
		QO(B) EPD	15–30 A	15–60 A	—

Tabla 7 - Máxima tensión CA del sistema: 208Y/120 3P/4W

Corriente nominal de cortocircuito máxima	Interruptores automáticos principales y fusibles principales remotos de la marca Square D	Designación del catálogo de interruptores automáticos de derivación de la marca Square D y rangos de amperaje permitidos			
		Tipo	1 polo	2 polos	3 polos
65,000	Fusibles de clase J de 400 A máx.	QO(B) GFI	—	—	15–50 A
100,000	Fusibles de clase T3 de 200 A máx.	QO(B) GFI	—	—	15–50 A

Tabla 7 - Máxima tensión CA del sistema: 208Y/120 3P/4W (Continuación)

Corriente nominal de cortocircuito máxima	Interruptores automáticos principales y fusibles principales remotos de la marca Square D	Designación del catálogo de interruptores automáticos de derivación de la marca Square D y rangos de amperaje permitidos			
		Tipo	1 polo	2 polos	3 polos
200,000	Fusibles de clase T6 o J de 200 A máx.	QO(B) GFI	—	—	15–50 A
	Fusibles de clase T3 de 400 A máx.	QO(B) GFI	—	—	15–50 A

Tabla 8 - Máxima tensión CA del sistema: 240/120 3P/4W, 240 3P/3W

Corriente nominal de cortocircuito máxima	Interruptores automáticos principales y fusibles principales remotos de la marca Square D	Designación del catálogo de interruptores automáticos de derivación de la marca Square D y rangos de amperaje permitidos			
		Tipo	1 polo	2 polos	3 polos
50,000	Fusibles de clase T3 de 600 A máx.	QO(B) VH	—	—	15–30 A
65,000	Fusibles de clase J de 400 A máx.	QO(B) VH	—	—	15–100 A
	Fusibles de clase T6 de 400 A máx.	QO(B) VH	—	—	15–100 A
100,000	Fusibles de clase T3 de 200 A máx.	QOB-VH	—	—	110–150 A
		QO(B)	—	—	15–100 A
		QO(B) EPD	—	—	15–50 A
200,000	Fusibles de clase T6 o J de 200 A máx.	QO(B) EPE	—	—	15–50 A
		QO(B)	—	—	15–100 A
		QO(B) EPD	—	—	15–50 A
	Fusibles de clase T3 de 400 A máx.	QO(B) EPE	—	—	15–50 A
		QO(B)	—	—	15–100 A
		QO(B) EPD	—	—	15–50 A
		QO(B) EPE	—	—	15–50 A

NOTA: En la siguiente tabla, Tipo incluye los interruptores automáticos AFI, CAFI, EPD y GFI.

Tabla 9 - Selectividad de interruptores de misión crítica del panel NQ

SCCR máxima (RMS simétrica)	Interruptores automáticos principales integrales o remotos	Interruptores automáticos de derivación			
		Tipo	1 polo	2 polos	3 polos
Totalmente nominal y selectivo hasta 10 kA a 208Y/120 Vca o a 240/120 Vca	J-W, 250 A L-W, 250 A	QOB	10-70	10-125	10-125
		QOB-H			
		QOB-VH			
		QH			
Serie nominal y selectiva a 12 kA a 208Y/120 Vca o a 240/120 Vca	J-W, 250 A	QOB	10-70	10-125	10-60
		QOB-H			
		QOB-VH			
		QH			
Serie nominal y selectiva a 15 kA a 208Y/120 Vca o a 240/120 Vca	J-W, 250 A	QOB	10-60	10-60	10-30
		QOB-H			
		QOB-VH			
		QH			
Serie nominal y selectiva a 18 kA a 208Y/120 Vca o a 240/120 Vca	J-W, 250 A	QOB	10-30	10-30	—
		QOB-H			
		QOB-VH			
		QH			
	L-W, 250 A	QOB	10-60	10-60	10-60
		QOB-H			
		QOB-VH			
		QH			
Serie nominal y selectiva a 30 kA a 208Y/120 Vca o a 240/120 Vca	L-W, 400 A L-W, 600 A	QOB	15-70	15-150	15-150
		QOB-H			
		QOB-VH			
		QH			

Tabla 10 - Corriente nominal de cortocircuito⁴ para interiores de tomas principales con tomas de alimentación secundaria o de paso

Máxima tensión CA del sistema	Corriente nominal máxima	Circuitos de derivación ⁵	Aplicaciones	Sumando ⁶	Corriente nominal de cortocircuito máxima ⁷
240	100	18, 30	SFL y FTL	—	10,000
	225	30, 42, 54, 72, 84, 96	SFL	152.4 mm (6 in)	
		42	FTL	—	
		30, 54, 72, 84, 96		152.4 mm (6 in)	
	400	30, 42, 54, 72, 84	SFL	—	25,000
		96		—	10,000
		30, 84	FTL	—	25,000
		96		—	10,000
		42, 54, 72		152.4 mm (6 in)	25,000
		30, 42, 54, 72, 84		FTL	
	600	96			10,000

Marcado CE

- Los interiores con la marca "CE" cumplen las normas IEC 61439-1 e IEC 61439-2.
- Los interiores de las zapatas principales con la marca "CE" han sido probados para soportar 10,000 amperios simétricos RMS durante 30 ciclos.
- Los interiores con la marca "CE" solo están aprobados para su uso con interruptores automáticos de derivación QOXD o QOBXD que lleven la marca "CE".

- Esta clasificación se aplica a los interiores de zapatas principales, equipados con zapatas de alimentación secundaria o de paso, en los que el dispositivo que alimenta el interior es desconocido o no es un dispositivo de la marca Square D. El uso de un interruptor automático principal de la marca Square D delante de estas zapatas dará como resultado una clasificación igual a la clasificación del interruptor automático. Las pruebas de cortocircuito se realizan al 100-105 % de la tensión nominal máxima del tablero.
- 96 circuitos con SPD tienen 84 circuitos derivados utilizables.
- El sumando es la longitud adicional del gabinete.
- Amperes simétricos RMS, durante tres ciclos..

Restricciones QO2150VH, QO2175VH y QO2200VH

AVISO

PELIGRO DE DAÑO AL EQUIPO

- No instale QO2150(VH), QO2175(VH) o QO2200(VH) en aplicaciones sísmicas.
- No instale QO2150(VH), QO2175(VH) o QO2200(VH) en aplicaciones de sistemas trifásicos.
- No instale más de un total de cuatro QO2175(VH) o QO2200(VH) en gabinetes NEMA 1.
- No instale más de un QO2175(VH) o QO2200(VH) en gabinetes NEMA 3R ventilados resistentes impermeables.
- No instale QO2150(VH), QO2175(VH) o QO2200(VH) uno al lado del otro.
- No instale en gabinetes impermeables sin ventilación (3R/5/12, 4/4X).
- Para los interruptores automáticos QO2175(VH) y QO2200(VH) instale molduras de cierre de tres puntos.

El incumplimiento de estas instrucciones podría provocar daños en el equipo.

Deje al menos cuatro espacios de circuito de relleno en blanco o interruptores automáticos de 125 A o inferiores antes de instalar otro QO2150(VH), QO2175(VH) o QO2200(VH).

Coloque QO2150(VH), QO2175(VH) y QO2200(VH) junto al final de línea, en el lado derecho para aplicaciones de entrada superior.

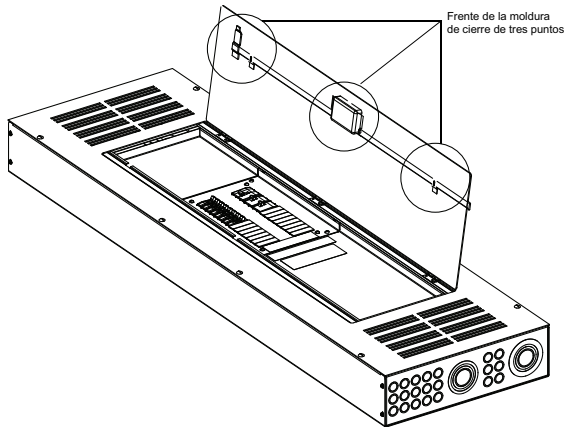
Coloque QO2150(VH), QO2175(VH) y QO2200(VH) junto al final de línea, en el lado izquierdo para aplicaciones de entrada inferior.

QO2150(VH), QO2175(VH) y QO2200(VH) solo para aplicaciones monofásicas.

Tabla 11 - Molduras con pestillo de tres puntos: número de catálogo⁸

Tipo	Montaje en superficie	Montaje empotrado
Estándar	NC50VS3P	NC50VF3P
	NC56VS3P	NC50VF3P
	NC62VS3P	NC62VF3P
	NC68VS3P	NC68VF3P
	NC74VS3P	NC74VF3P
	NC80VS3P	NC80VF3P
	NC86VS3P	NC86VF3P
	NC92VS3P	NC92VF3P
Con bisagras	NC62VS3PHR	NC62VF3PHR
	NC68VS3PHR	NC68VF3PHR
	NC74VS3PHR	NC74VF3PHR
	NC80VS3PHR	NC80VF3PHR
	NC86VS3PHR	NC86VF3PHR
	NC92VS3PHR	NC92VF3PHR

8. V=Ventado, HR=Articulado derecho, 3P=Tres puntos.

Figura 11 - Frente con pestillo de tres puntos

Anexo 2: Kits de accesorios

Los tableros NQ disponen de una amplia gama de kits de accesorios instalables en el lugar de trabajo:

- Kits de barra a tierra del equipo
- Kits de zapatas de neutro sobredimensionadas para tableros de 100-600 A
- Kits de zapatas de alimentación secundaria para tableros de 100-400 A
- Kits de zapatas principales
 - Kits de zapatas mecánicas: aluminio
 - Kits de zapatas mecánicas: cobre
 - Kits de zapatas de compresión Versa-Crimp: aluminio
 - Kits de zapatas de compresión Versa-Crimp: cobre
- Kits de barrera lateral de línea y correa de conexión neutra

Kits de barra a tierra del equipo

Los kits de barras a tierra para equipos, aptos para cable de cobre o aluminio, satisfacen las necesidades de puesta a tierra de los tableros NQ y los centros de carga QONQ.

Tabla 12 - Especificaciones de los kits de barras a tierra para equipos

Tablero		Utilizar el número de catálogo del kit de barra a tierra	
Circuito de derivación	Valor nominal de red	Aluminio ⁹	Cobre ¹⁰
1-42	600 A máximo	(1) PK27GTA	(1) PK27GTACU
54-84		(2) PK27GTA	(2) PK27GTACU



Las ubicaciones de montaje de la barra a tierra se identifican mediante el símbolo de tierra estampado en la pared posterior del gabinete.

Kits de zapatas de neutro sobredimensionadas para tableros de 100-600 A

Los kits de zapatas de neutro sobredimensionadas están disponibles para aplicaciones en las que se requieren conductores de terminación de 3 AWG o más para el neutro.

Tabla 13 - Especificaciones de los kits de zapatas de neutro sobredimensionadas para tableros de 100-600 A

Valor nominal del interruptor automático	Número de catálogo del kit	Calibre del cable Al/Cu(mm) ²
70 A	QO70AN	(1) #12-#2 AWG Al ([1] 3,3-33,6) (1) #14-#4 AWG Cu ([1] 2,1-21,2)
80-100 A	NQ100AN	(1) #14-2/0 AWG Al/Cu ([1] 2,1-67,4)
80-120 A	Q1100AN	(1) #4-1/0 AWG Al/Cu ([1] 21,2-53,5)

9. Barras de aluminio adecuadas para conductores de cobre o aluminio de 60°C o 75°C.
10. Barras de cobre adecuadas para conductores de cobre o aluminio de 60°C o 75°C.

Tabla 13 - Especificaciones de los kits de zapatas de neutro sobredimensionadas para tableros de 100-600 A (Continuación)

Valor nominal del interruptor automático	Número de catálogo del kit	Calibre del cable Al/Cu(mm) ²
110–150 A	Q1150AN ¹¹	(1) #1–2/0 AWG Al/Cu ([1] 42,4–67,4)
175-200 A	NQ200AN	(1) #4 AWG–300 kcmil Al/Cu ([1] 21,2–152)

Kits de zapatas de alimentación secundaria para tableros de 100-400 A

Las zapatas principales de alimentación secundaria están disponibles para aplicaciones de 100, 225 o 400 A.

Tabla 14 - Especificaciones de los kits de zapatas de subalimentación para los tableros de 100 a 400 A

Amperajes principales	Número de catálogo del kit	Circuitos máximos
100	NQSFL1	18, 30
225	NQSFL2	30 ¹² , 42 ¹² , 54 ¹² , 72 ¹² , 84 ¹²
400	NQSFL4	30, 42, 54, 72, 84

Kits de zapatas principales

Tabla 15 - Kits de zapatas mecánicas — Aluminio

Amperaje de tablero	Número de catálogo del kit	Calibre del cable Al/Cu(mm) ²
100	Estándar	# 6-2/0 AWG (13,3-67,43 mm ²)
225	Estándar	#6 AWG–350 kcmil (13,3–177,3 mm ²)

- Usar solo cable de cobre 1/0 (53,5 mm²) para aplicaciones de interruptores automáticos de derivación de 150 A.
- Estos paneles requieren un espacio adicional de 152,4 mm (6 pulgadas) para la caja y la moldura, con el fin de disponer de un espacio adecuado para doblar los cables.

Tabla 15 - Kits de zapatas mecánicas — Aluminio (Continuación)

Amperaje de tablero	Número de catálogo del kit	Calibre del cable Al/Cu(mm ²)
400	Estándar	(1) 1/0 AWG—750 kcmil (2) 1/0 AWG—350 kcmil ([1] 53,48-380 mm ²) ([2] 53,48-177,3 mm ²)
		(2) 1/0 AWG—750 kcmil ([2] 53,48—380 mm ²)
600	Estándar	(2) 1/0 AWG—750 kcmil ([2] 53,48—380 mm ²)
	NQALM6A	(3) #6 AWG—250 kcmil ([3] 13,3—127 mm ²)

Tabla 16 - Kits de zapatas mecánicas — Cobre

Amperaje de tablero	Número de catálogo del kit	Calibre del cable Al/Cu(mm ²)
100	NQCUM1	# 6-2/0 AWG (13,3-67,43 mm ²)
225	NQCUM2	#6 AWG-250 kcmil (13,3-127 mm ²)
400	NQCUM4	(1) 1/0 AWG—750 kcmil (2) 1/0 AWG—350 kcmil
600	NQCUM6	([1] 53,48—380 mm ²) ([2] 53,48—177,3 mm ²)

Tabla 17 - Versa-Crimp™ Kits de zapatas de compresión — Aluminio

Amperaje de tablero	Número de catálogo del kit	Calibre del cable Al/Cu(mm ²)	Herramienta de prensado
100	NQALV1	# 8-1/0 AWG (8,36-53,48 mm ²)	VC6 (Todos)
225	NQALV2	#4 AWG-300 kcmil (21,15-152 mm ²)	
400	NQALV4	(2) 2/0 AWG-500 kcmil ([2] 67,43-253,4 mm ²)	VC6-3, VC6-FT
600	NQALV6		

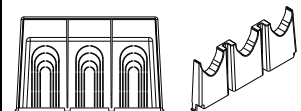
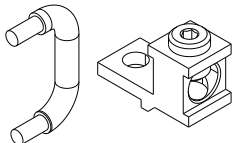

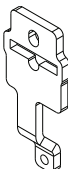
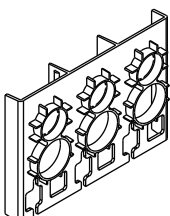
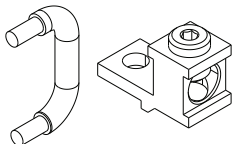
Tabla 18 - Versa-Crimp™ Kits de zapatas de compresión — Cobre

Amperaje de tablero	Número de catálogo del kit	Calibre del cable Al/Cu(mm ²)	Herramienta de prensado
100	NQCUV1	# 6-1/0 AWG (13,30-53,48 mm ²)	VC6 (Todos), VC7 (Todos)
225	NQCUV2	2/0 AWG—300 kcmil (67,43—152 mm ²)	VC6-3, VC7, VC6-FT, VC7-FT
400	NQCUV4	400—750 kcmil (202,7—380 mm ²)	VC6-FT, VC7-FT, VC8
600	NQCUV6	(2) 250—500 kcm ([2] 126,7—253,4mm ²)	VC6-3, VC7, VC6-FT, VC7-FT

Kits de barrera lateral de línea y correa de conexión neutra

En función de la aplicación y del código de instalación adoptado, puede ser necesaria una barrera lateral de línea y una correa de conexión neutra. Seleccione la barrera adecuada de la siguiente tabla, en función del interruptor automático principal.

Tabla 19 - Kits de barrera lateral de línea y correa de conexión neutra

Número de catálogo	Contenido		Descripción
	Cubierta de la zapata de línea	Correa de conexión neutra	
NQLALLC			Cubierta de la zapata de línea NQ LA/LH y correa y zapata de conexión neutra
NQHJQLLC			NQ PowerPac™ Cubierta de zapatas de línea H/J/Q y Correa de conexión neutra
NQPPLLC			Cubierta de la zapata de línea PowerPac L y correa y zapata de conexión neutra

Panneaux de distribution NQ/NQM et centres de charge QONQ

Classe 1640
80043-712-06, Rev. 08

Contenu de ce document

Informations de sécurité.....	1
Introduction	3
Installation	5
Annexe 1 : Spécifications.....	19
Annexe 2 : Kits d'accessoires	40

Informations de sécurité

Lire attentivement ces directives et examiner l'appareillage pour vous familiariser avec son fonctionnement avant d'effectuer son installation ou son entretien. Les messages spéciaux suivants peuvent apparaître dans le présent manuel ou sur l'appareil pour avertir l'utilisateur de dangers potentiels ou pour attirer l'attention sur des informations qui clarifient ou simplifient une procédure.



L'ajout d'un de ces deux symboles à une étiquette de sécurité de « Danger » ou d'« Avertissement » indique qu'un danger électrique existe et qu'il peut entraîner des blessures corporelles si les directives ne sont pas respectées.



Ceci est le symbole d'alerte de sécurité. Il est utilisé pour vous alerter de dangers de blessures corporelles potentielles. Veuillez vous conformer à tous les messages de sécurité qui suivent ce symbole pour éviter une blessure ou la mort.

DANGER

DANGER indique une situation de danger imminent qui, si elle n'est pas évitée **entraînera** la mort ou des blessures graves.

AVERTISSEMENT

AVERTISSEMENT indique une situation de danger potentiel qui, si elle n'est pas évitée, **peut entraîner** la mort ou des blessures graves.

ATTENTION

ATTENTION indique une situation de danger potentiel qui, si elle n'est pas évitée, **peut entraîner** des blessures mineures ou modérées.

AVIS

AVIS est utilisé pour commenter des pratiques sans rapport avec les blessures physiques.

REMARQUE: Fournit des renseignements complémentaires pour clarifier ou simplifier une procédure.

Veillez noter

Seul du personnel qualifié doit effectuer l'installation, l'utilisation, l'entretien et la maintenance du matériel électrique. Schneider Electric

n'assume aucune responsabilité des conséquences éventuelles découlant de l'utilisation de cette documentation.

Une personne qualifiée est une personne disposant de compétences et de connaissances dans le domaine de la construction et du fonctionnement des équipements électriques et installations et ayant bénéficié d'une formation de sécurité afin de reconnaître et d'éviter les risques encourus.

L'équipement électrique doit être transporté, entreposé, installé et utilisé exclusivement dans l'environnement pour lequel il a été conçu.

Introduction

Ces directives décrivent la procédure d'installation des panneaux de distribution à disjoncteurs NQ Square D™ et des centres de charge QONQ. Ces panneaux de distribution et centres de charge sont homologués par Underwriters Laboratories (cULus) et compatibles avec les disjoncteurs de dérivation QO™ et QOB.

REMARQUE: Pour obtenir une assistance technique sur l'installation de ce panneau de distribution, contactez le centre d'informations à la clientèle de Schneider Electric au 1-888-778-2733 (É.-U.).

REMARQUE: Reportez-vous aux étiquettes apposées sur l'appareil pour les informations de sécurité et les caractéristiques nominales. Des étiquettes d'équipement supplémentaires sont fournies avec ce document.

Mesures de sécurité

DANGER

RISQUE D'ÉLECTROCUTION, D'EXPLOSION OU D'ÉCLAIR D'ARC

- Portez un équipement de protection individuelle (EPI) approprié et observez les méthodes de travail électrique sécuritaire. Voir NFPA 70E, NOM-029-STPS ou CSA Z462, ou un équivalent local de la norme.
- Seul un personnel qualifié doit effectuer l'installation et l'entretien de cet équipement.
- Coupez toutes les alimentations à cet équipement avant d'y travailler.
- Utilisez toujours un dispositif de détection de tension à valeur nominale appropriée pour vous assurer que l'alimentation est coupée.
- Il est impératif de lire et de comprendre entièrement ces directives d'utilisation ainsi que les normes NEMA PB 1.1 incluses avant de procéder à l'installation, à l'utilisation et à l'entretien de cet équipement.
- Les codes locaux varient mais sont adoptés et appliqués pour assurer des installations électriques sécuritaires. Il peut être nécessaire d'obtenir un permis pour exécuter des travaux sur des circuits électriques et certains codes peuvent exiger que le travail électrique accompli soit inspecté.
- Remettez en place tous les dispositifs, les portes et les couvercles avant de mettre l'équipement sous tension.
- Évitez que les peintures, les solvants ou les vaporisateurs à base de pétrole ne viennent en contact avec les pièces non métalliques de ce produit.

Le fait de ne pas suivre ces instructions entraînera des blessures graves, voire mortelles.



AVERTISSEMENT: Ce produit peut vous exposer à des produits chimiques, notamment des composés de nickel, reconnus par l'État de Californie comme pouvant causer le cancer, et du bisphénol A (BPA), reconnu par l'État de Californie comme pouvant causer des anomalies congénitales ou d'autres troubles de la reproduction. Pour plus d'informations, consulter www.P65Warnings.ca.gov.

Installation

Cette section fournit des instructions pour les procédures suivantes concernant les panneaux de distribution NQ et les centres de charge QONQ:

- Montage d'intérieur pour armoires Square D, page 5.
- Installation de la bride ou du câble de liaison du neutre, page 8.
- Installation et dépose des disjoncteurs QO et QOB, page 13.
- Instructions de réarmement du disjoncteur, page 16.
- Préparation de l'écran isolant, page 17.

Montage d'intérieur pour armoires Square D

Une publication de normes séparée, intitulée « General Instructions for Proper Installation, Operation, and Maintenance of Panelboards Rated 600 Volts or Less » [Instructions générales pour l'installation, l'utilisation et l'entretien des panneaux de distribution de tension 600 V ou moins] (NEMA PB1.1), est fournie avec cet équipement. Familiarisez-vous avec le contenu de ce document avant de suivre l'une des procédures suivantes.

Si vous n'avez pas reçu une copie de ce document, ou si vous avez des questions concernant l'équipement, contactez votre distributeur local ou votre représentant Schneider Electric.

⚠ DANGER

RISQUE D'ÉLECTROCUTION, D'EXPLOSION OU D'ÉCLAIR D'ARC

- S'assurer que tous les raccordements sur site sont correctement serrés.
- Ne pas serrer les raccordements au-delà ou en deçà de la plage de couple spécifiée. Se reporter à l'étiquette d'information sur les couples de serrage apposée sur le tableau de distribution avant de serrer les raccordements.

Le fait de ne pas suivre ces instructions entrainera des blessures graves, voire mortelles.

Pour monter et installer correctement l'intérieur de panneau de distribution NF ou de centre de charge QONQ, reportez-vous à la publication de normes NEMA PB 1.1 et suivez les instructions ci-dessous pour les procédures Montage en surface (armoire montée sur un mur), page 6 ou Montage encastré (armoire encastrée dans le mur), page 7.

Montage en surface (armoire montée sur un mur)

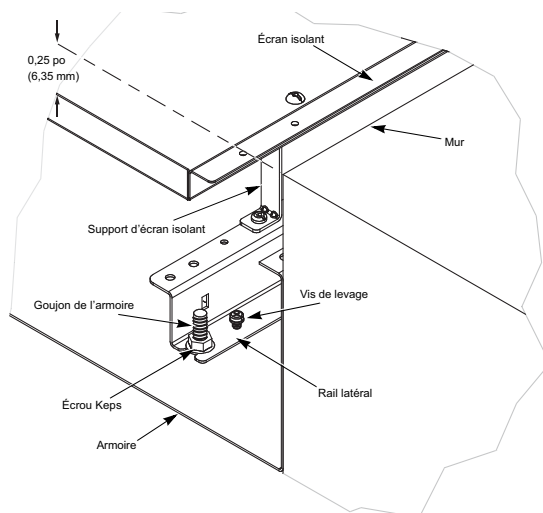
1. Montez l'armoire comme indiqué dans la publication des normes NEMA PB 1.1.
2. Retirez l'écran isolant de ses supports.
3. Installez l'intérieur comme décrit ci-dessous :
 - a. Placez l'intérieur sur les goujons de l'armoire. La vis de levage n'est pas nécessaire (voir Montage d'intérieur pour armoires Square D, page 5).
 - b. Serrez les écrous Keps contre les rails latéraux intérieurs jusqu'à ce que les rails soient contre le fond de l'armoire.
4. En fonction de l'application et du code d'installation adopté, une bride de fixation au neutre et une barrière côté ligne peuvent être nécessaires. Voir les sections Installation de la bride ou du câble de liaison du neutre, page 8 et Annexe 2 : Kits d'accessoires, page 40.

5. Appliquez les étiquettes d'équipement (placées dans le sachet) en suivant les instructions figurant au dos de la feuille d'étiquettes d'équipement. Reportez-vous aux codes et normes en vigueur localement.
6. Remontez l'écran isolant une fois le câblage réalisé.

Montage encastré (armoire encastrée dans le mur)

1. Montez l'armoire comme indiqué dans la publication des normes NEMA PB 1.1.
2. Retirez l'écran isolant de ses supports.
3. Installez l'intérieur comme décrit ci-dessous :
 - a. Vissez dans les rails latéraux les (4) vis de levage autotaraudeuses 10-32 × 0,875 po fournies avec la façade encastrée.
 - b. Placez l'intérieur sur les goujons de l'armoire (voir Montage d'intérieur pour armoires Square D, page 8). Placez les écrous Keps sur les goujons de l'armoire, mais sans les serrer.
 - c. Ajustez les vis de sorte que la lèvre de l'écran isolant soit à environ 6,35 mm (0,25 po) de la ligne du mur.
 - d. Serrez les écrous Keps contre les rails latéraux.
4. En fonction de l'application et du code d'installation adopté, une bride de fixation au neutre et une barrière côté ligne peuvent être nécessaires. Reportez-vous aux codes et normes en vigueur localement. Voir les sections Installation de la bride ou du câble de liaison du neutre, page 8 et Annexe 2 : Kits d'accessoires, page 40.
5. Appliquez les étiquettes d'équipement (placées dans le sachet) en suivant les instructions figurant au dos de la feuille d'étiquettes d'équipement.
6. Remontez l'écran isolant une fois le câblage réalisé.

Figure 1 - Montage à l'intérieur des armoires Square D



Installation de la bride ou du câble de liaison du neutre

En fonction de l'application et du code d'installation adopté, une barrière côté ligne et une bride de fixation au neutre peuvent être nécessaires.

Pour établir correctement la liaison du neutre au panneau de distribution, suivez les instructions des sections **Panneaux de distribution NQ jusqu'à 100 ou 250 A** ou **Panneaux de distribution NQ jusqu'à 400 ou 600 A** et centres de charge QONQ, page 11.

⚠ DANGER**RISQUE D'ÉLECTROCUTION, D'EXPLOSION OU D'ÉCLAIR D'ARC**

- Portez un équipement de protection individuelle (EPI) approprié et observez les méthodes de travail électrique sécuritaire. Voir NFPA 70E, NOM-029-STPS ou CSA Z462, ou un équivalent local de la norme.
- Coupez toutes les alimentations à cet équipement avant d'y travailler.
- La bride de fixation ou le câble de liaison du neutre ne doivent être utilisés que lorsque le panneau de distribution est installé comme équipement d'entrée de service.
- Veillez à ne pas mélanger les vis de montage avec les vis de l'écran isolant.

Le fait de ne pas suivre ces instructions entrainera des blessures graves, voire mortelles.

REMARQUE: Reportez-vous à la section Kits de barrières côté ligne et de brides de fixation au neutre, page 44 pour plus d'informations.

REMARQUE: Les termes « bride de fixation au neutre » et « câble de liaison du neutre » décrivent les composants qui répondent aux exigences d'un « conducteur de liaison du neutre ». Ces termes sont équivalents.

Panneaux de distribution NQ jusqu'à 100 ou 250 A

Pour installer une bride de fixation au neutre sur des panneaux de distribution NQ avec un courant secteur nominal jusqu'à 225 A (avec cosses principales ou disjoncteur principal) ou jusqu'à 250 A (avec un disjoncteur principal assemblé en usine), reportez-vous à la section Installation de la bride de fixation – Panneaux de distribution NQ jusqu'à 100 ou 250 A, page 11 et suivez les instructions ci-dessous.

1. Alignez la bride de fixation sur le rail latéral, comme illustré.

REMARQUE: Pour certaines applications, il peut être nécessaire de retirer la cosse (non illustrée) avant d'installer la bride de fixation.

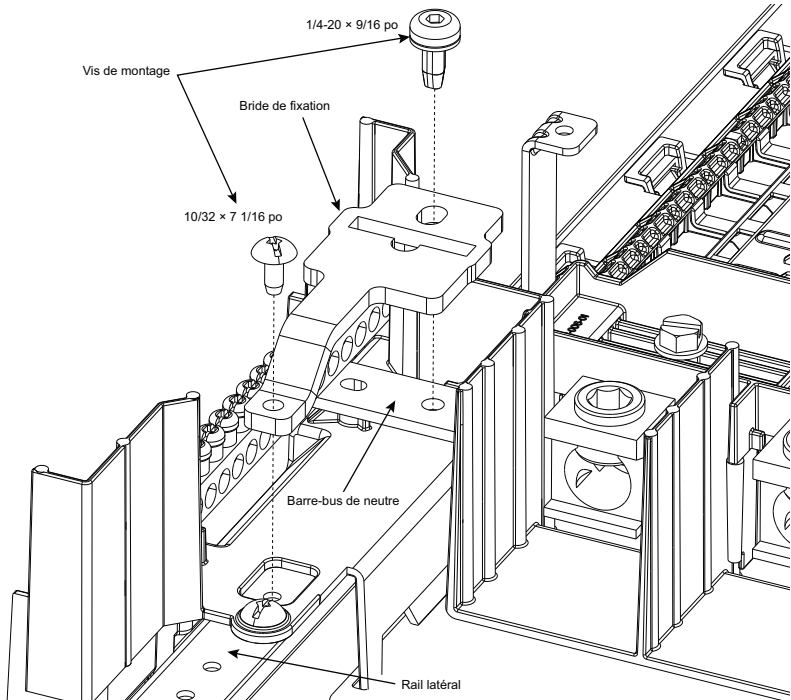
2. Insérez les deux vis de montage, comme illustré. Serrez la vis de 10-32 à un couple de 10-12 lb-po. (1,1-1,4 N•m) et la vis 1/4-20 à 25-30 lb-po. (2,8-3,4 N•m).

REMARQUE: Les vis de montage des cosses sont fournies dans le sachet de la bride de fixation.

- a. Si la cosse a été retirée à l'étape 1 ci-dessus, réinstallez-la par-dessus la bride de fixation. Serrez la vis de 10-32 à un couple de 10-12 lb-po. (1,1-1,4 N•m) et la vis 1/4-20 à 25-30 lb-po. (2,8-3,4 N•m).
- b. Utilisez une vis 1/4-20 × 9/16 po pour le montage des intérieurs 100/225 A sans options. Voir les notes C et D pour les autres options.
- c. Utilisez la vis de montage de cosse 1/4-20 x 11/16 po dans les applications avec cosse traversante, cosse secondaire, disjoncteur secondaire ou neutre à 200 %.
- d. Utilisez la vis de montage de cosse 1/4-20 × 7/8 po dans les applications avec neutre à 200 % et cosses traversantes, cosses secondaires ou disjoncteurs secondaires.

Figure 2 - Installation d'une bride de fixation – Panneaux NQ jusqu'à 100 ou 250 A

REMARQUE: Pour les options de cosses de liaison, reportez-vous à C et D pour la longueur correcte de la vis 1/4-20.

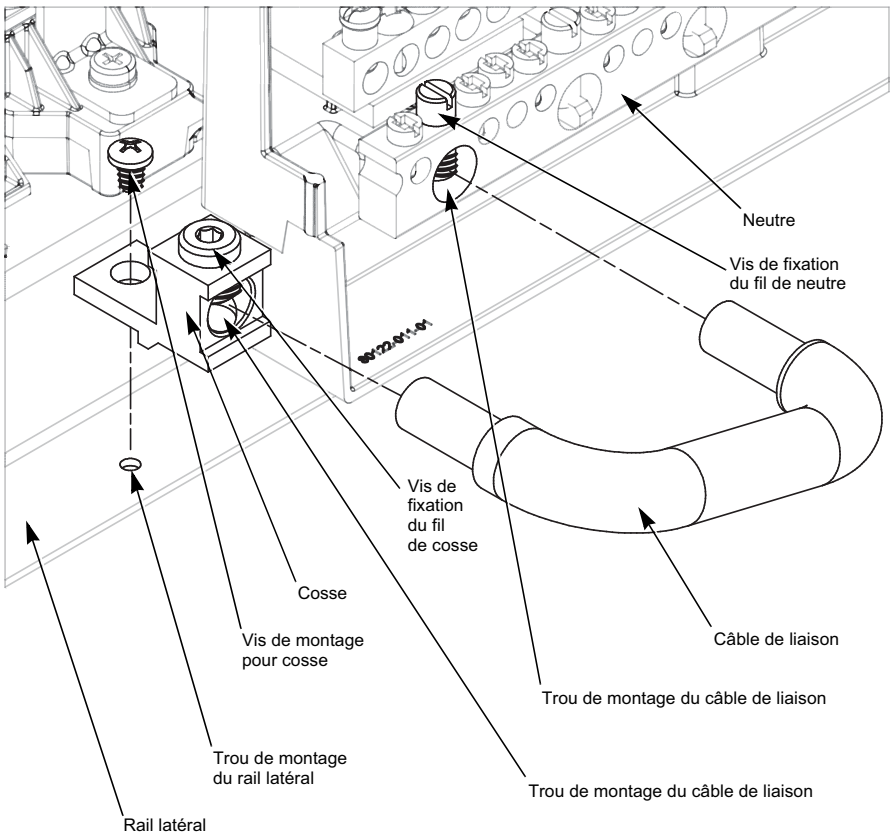


Panneaux de distribution NQ jusqu'à 400 ou 600 A et centres de charge QONQ

Pour installer un câble de liaison du neutre sur un panneau de distribution NQ jusqu'à 400 ou 600 A et un centre de charge QONQ, reportez-vous à la section Installation du câble de liaison – Panneaux de distribution NQ jusqu'à 400 ou 600 A et centres de charge QONQ, page 12 et suivez les instructions ci-dessous.

1. Alignez la cosse sur le trou de montage du rail latéral, comme illustré.
2. Serrez la vis de montage de la cosse contre le rail latéral à 10-12 lb-po. (1.1–1.4 N•m).
3. Alignez le câble de liaison, comme illustré, et insérez-le dans les trous de montage de la cosse et du neutre.
4. Serrez la vis de fixation du fil de cosse et la vis de fixation du fil neutre à 45-50 lb-po. (5.1-5.6 N•m).

Figure 3 - Installation du câble de liaison – Panneaux de distribution NQ jusqu'à 400 ou 600 A et centres de charge QONQ



Installation et dépose des disjoncteurs QO et QOB

⚠ DANGER

RISQUE D'ÉLECTROCUTION, D'EXPLOSION OU D'ÉCLAIR D'ARC

- Portez un équipement de protection individuelle (EPI) approprié et observez les méthodes de travail électrique sécuritaire. Voir NFPA 70E, NOM-029-STPS ou CSA Z462, ou un équivalent local de la norme.
- Seul un personnel qualifié doit effectuer l'installation et l'entretien de cet équipement.
- Coupez toutes les alimentations à cet équipement avant d'y travailler.
- Utilisez toujours un dispositif de détection de tension à valeur nominale appropriée pour vous assurer que l'alimentation est coupée.
- Comblez tous les espaces inutilisés à l'aide de plaques d'obturation.
- Remettez en place tous les dispositifs, les portes et les couvercles avant de mettre l'équipement sous tension.
- Utilisez uniquement les disjoncteurs et accessoires des marques Square D™ et Schneider Electric™. Cet équipement est conçu et testé par Schneider Electric selon des niveaux de performance conformes aux normes applicables.
- S'assurer que tous les raccordements sur site sont correctement serrés.
- Ne pas serrer les raccordements au-delà ou en deçà de la plage de couple spécifiée. Reportez-vous à l'étiquette d'information sur les couples de serrage apposée sur le tableau de distribution avant de serrer les raccordements.

Le fait de ne pas suivre ces instructions entraînera des blessures graves, voire mortelles.

Installation des disjoncteurs QO et QOB

Reportez-vous à la section Installation et dépose des disjoncteurs QO et QOB, page 15 pour les instructions suivantes :

1. Coupez toutes les alimentations du panneau de distribution.
2. Mettez le disjoncteur en position OFF.
3. Retirez l'ensemble de l'écran isolant.
4. Emboîtez l'extrémité de la borne de fil du disjoncteur sur le rail de montage.
5. Engagez le connecteur de dérivation.

Pour les disjoncteurs QO : Poussez vers l'intérieur jusqu'à ce que les mâchoires enfichables s'engagent complètement dans le connecteur de dérivation.

Pour les disjoncteurs QOB : Poussez vers l'intérieur jusqu'à ce que le connecteur du disjoncteur soit centré sur le trou de montage du connecteur de dérivation. Engagez la vis dans le trou du connecteur de dérivation et serrez au couple indiqué sur le schéma de câblage et de serrage de l'intérieur.

6. Installez le câble de charge.
7. Réinstallez l'écran isolant.
8. Installez une plaque d'obturation dans tous les espaces pour disjoncteur de dérivation non utilisés.

Dépose des disjoncteurs QO et QOB

Reportez-vous à la section Installation et dépose des disjoncteurs QO et QOB, page 15 pour les instructions suivantes :

1. Coupez toutes les alimentations du panneau de distribution.
2. Retirez l'ensemble de l'écran isolant.
3. Retirez le fil de charge.

4. Dégagez le connecteur de dérivation.

Pour les disjoncteurs QO :

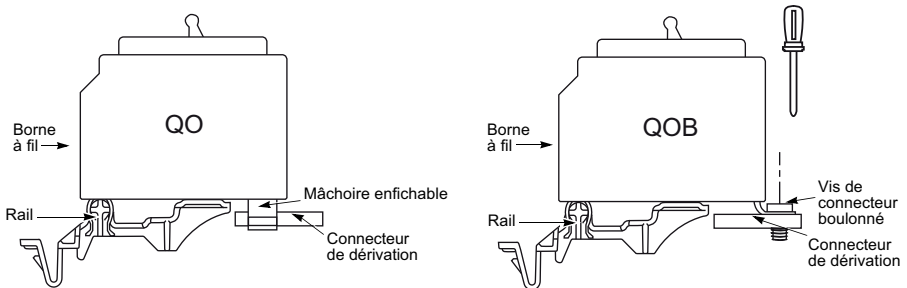
Tirez vers l'extérieur jusqu'à ce que les mâchoires enfichables se dégagent complètement du connecteur de dérivation.

Pour les disjoncteurs QOB :

Desserrez la vis dans le connecteur du disjoncteur et retirez le disjoncteur du connecteur de dérivation.

5. Retirez l'extrémité de la borne du câble du disjoncteur du rail de montage.
6. Réinstallez l'écran isolant.
7. Installez une plaque d'obturation dans tous les espaces pour disjoncteur de dérivation non utilisés.

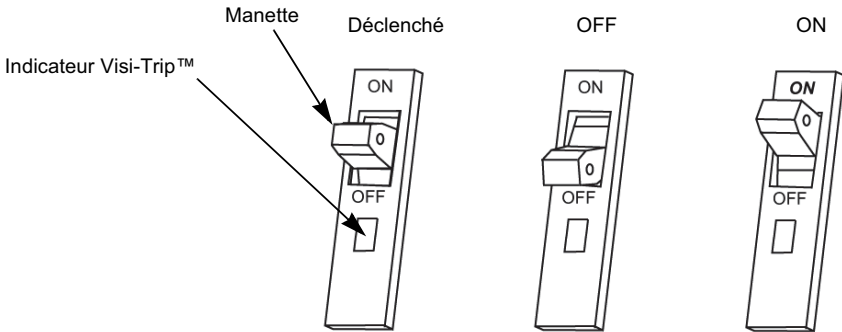
Figure 4 - Installation et dépose des disjoncteurs QO et QOB



Instructions de réarmement du disjoncteur

Si le disjoncteur est déclenché, la poignée sera en position médiane entre ON et OFF. Pour réarmer le disjoncteur, poussez la poignée en position OFF, puis en position ON.

Figure 5 - Positions de la poignée du disjoncteur



REMARQUE: Lorsque le disjoncteur s'est déclenché, la poignée prend une position centrale et l'indicateur rouge Visi-Trip apparaît dans la fenêtre du boîtier du disjoncteur. L'indicateur rouge Visi-Trip n'est visible que lorsque le disjoncteur s'est déclenché.

Préparation de l'écran isolant

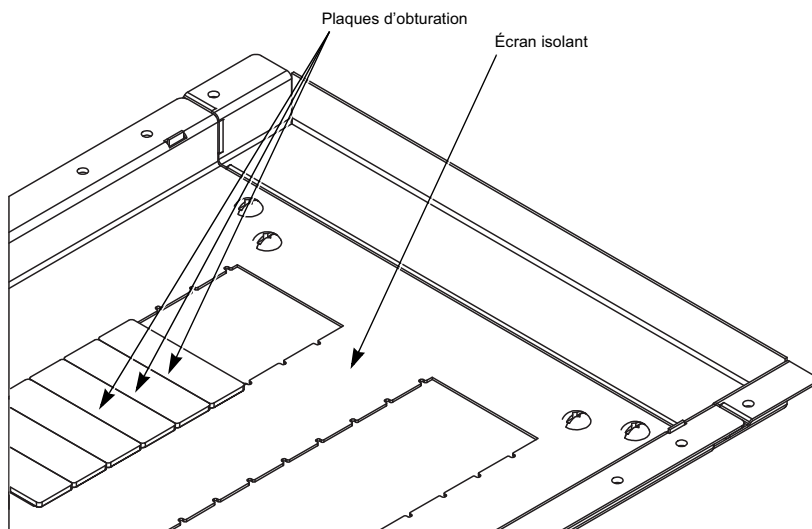
⚠ DANGER

RISQUE D'ÉLECTROCUTION, D'EXPLOSION OU D'ÉCLAIR D'ARC

- Portez un équipement de protection individuelle (EPI) approprié et observez les méthodes de travail électrique sécuritaire. Voir NFPA 70E, NOM-029-STPS ou CSA Z462, ou un équivalent local de la norme.
- Avant de mettre le panneau de distribution sous tension, comblez tous les espaces inutilisés à l'aide de plaques d'obturation.
- Remettez en place tous les dispositifs, les portes et les couvercles avant de mettre l'équipement sous tension.

Le fait de ne pas suivre ces instructions entrainera des blessures graves, voire mortelles.

Figure 6 - Diagramme de l'écran isolant



REMARQUE: Le dos de l'écran isolant indique le numéro de catalogue des plaques d'obturation compatibles correspondantes.

Annexe 1 : Spécifications

Câblage typique

Des informations supplémentaires sont fournies sur le panneau de distribution. Voir la valeur nominale du disjoncteur principal, s'il est utilisé.

Tableau 1 - Câblage typique du panneau de distribution

Tension CA	Panneaux de distribution monophasés		Tableaux de distribution triphasés	
	Phase	Fils	Phase	Fils
208Y/120	—	—	3	4
120/240	1	3	—	—
240 ¹	1	2	3	4
240 ²	1	3	—	—
240/120 ³	—	—	3	4 Triangle

1. Pour ce système, le neutre n'est pas utilisé et seuls des disjoncteurs de 240 V CA minimum doivent être utilisés. N'utilisez pas de disjoncteurs de 120 V ou 120/240 V CA.
2. Pour un système de phase B mis à la terre, seuls des disjoncteurs de 240 V CA minimum doivent être utilisés. N'utilisez pas de disjoncteurs de 120 V ou 120/240 V CA.
3. Lors du câblage d'un système en triangle, la tension simple entre les phases A et C et le neutre doit être de 120 V, et la tension simple entre la phase B et le neutre doit être de 208 V. Ne connectez que des disjoncteurs d'une valeur nominale de 240 V CA minimum. N'utilisez pas de disjoncteurs de 120 V ou de 120/240 V sur la phase B.

Disjoncteur principal intégré ou secondaire

PowerPacT à châssis H, J, L et Q; LA, LH, QO(B)(VH)

Figure 7 - Schéma de cosses principales NQ/NQM 100-225 A ou de disjoncteur principal 100-250 A

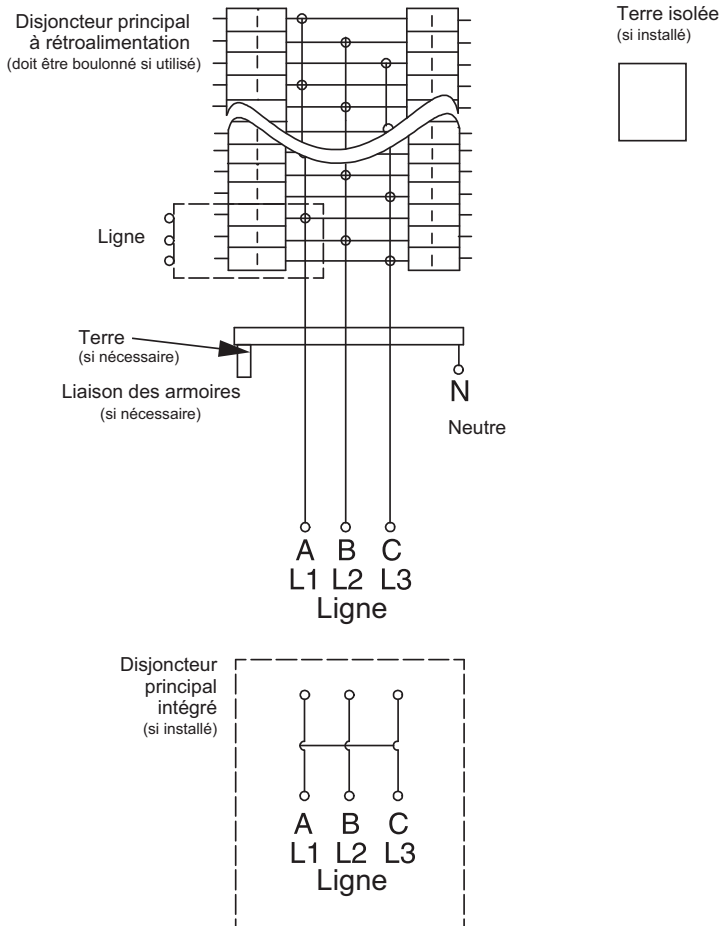


Figure 8 - Schéma de cosses principales ou disjoncteur principal (avec ou sans cosses traversantes) NF 400-600 A pour panneaux de distribution NQ ou centre de charge QONQ

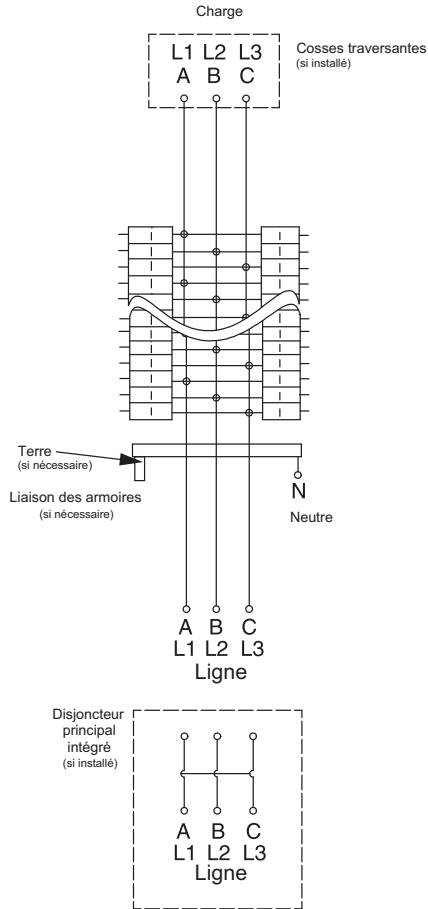


Figure 9 - Disjoncteurs principaux NF 400-600 A pour panneaux de distribution NQ ou centres de charge QONQ avec cosses traversantes ou disjoncteurs secondaires

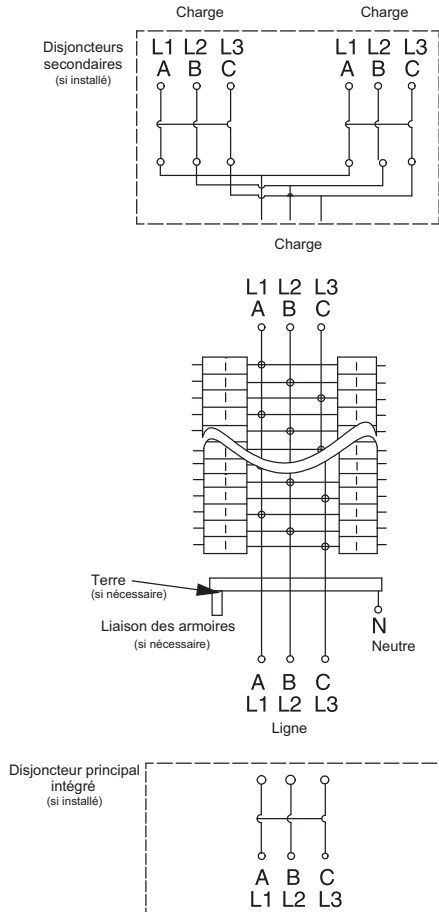
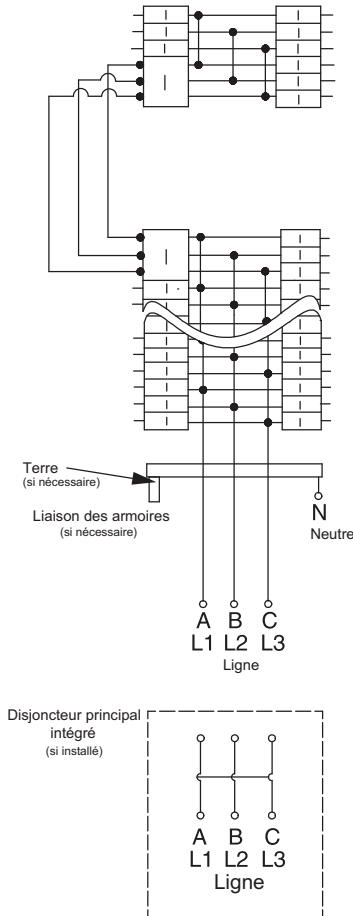


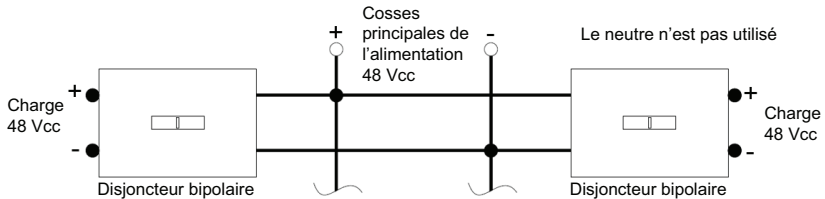
Figure 10 - Schéma typique d'un panneau de distribution NQ avec bus divisé



Convient aux systèmes de 48 Vcc maximum

Pour une utilisation avec des systèmes non mis à la terre 48 Vcc maximum uniquement. Utiliser uniquement des disjoncteurs principaux de dérivation ou à alimentation par dérivation de type QO(B), bipolaires, 10-60 A, avec le suffixe 5272, prévus pour une alimentation de 48 Vcc maximum. Le courant nominal de court-circuit est limité à 5 kA pour une utilisation dans un réseau de 48 Vcc.

Pour les disjoncteurs d'alimentation principale et secondaire montés verticalement, utiliser uniquement des disjoncteurs à châssis H, J et LA/LH. Le courant nominal de court-circuit est limité à 20 kA (châssis H, J), 10 kA (châssis LA) et 50 kA (châssis LH) pour une utilisation dans un réseau de 48 Vcc.



Valeurs nominales du panneau de distribution

Consultez les codes et normes en vigueur localement pour plus d'informations. L'étiquette pour un système qualifié pour utilisation en série se trouve dans le sachet.

Courant nominal de court-circuit pour des disjoncteurs raccordés en série (valeurs symétriques efficaces)

- Les valeurs nominales des séries indiquées pour des tensions plus élevées s'appliquent à des tensions plus basses (Exemple : 240 3P/3F couvre 208Y/120 3P/4F).
- Les essais de court-circuit sont effectués à 100-105 % de la tension nominale max. du panneau de distribution.
- « MC » désigne des disjoncteurs critiques.
- Lorsque LG est indiqué, LJ et LL peuvent être utilisés.

- Sauf indication contraire, les disjoncteurs principaux peuvent s'appliquer à l'intensité nominale max. disponible.
- Les suffixes HID, SWD et SWN peuvent également s'appliquer aux disjoncteurs de dérivation appropriés figurant ci-dessous.
- Lorsque les disjoncteurs QO(B) sont indiqués ci-dessous, les disjoncteurs QO(B)H, QO(B)VH et QH(B) peuvent également être utilisés.
- Les disjoncteur bipolaires CAFI ne peuvent pas être utilisés sur les systèmes triphasés.

Tableau 2 - Tension max. du système CA : 120/240 1P/3F, 208Y/120 3P/4F, 240/120 3P/4F

Courant nominal de court-circuit max.	Disjoncteurs principaux intégrés ou à distance et fusibles principaux à distance Square D	Désignation catalogue des disjoncteurs de dérivation Square D et plages d'intensité admissibles			
		Type	Unipolaire	Bipolaire	Tripolaire
18 000	LA/LH MC	QO(B)	15-30 A	15-30 A	—
22 000	QO(B) VH QOB-VH	QO(B)	15-70 A	15-125 A	—
		QO(B) GFI	15-30 A	15-60 A	—
		QO(B) EPD	15-30 A	15-60 A	—
		QO(B) PL	15-30 A	15-60 A	—
		QO(B) AFI	15-20 A	—	—
		QO(B) CAFI	15-20 A	15-20 A	—
		QO(B) DF	15-20 A	—	—

Tableau 2 - Tension max. du système CA : 120/240 1P/3F, 208Y/120 3P/4F, 240/120 3P/4F (Suite)

Courant nominal de court-circuit max.	Disjoncteurs principaux intégrés ou à distance et fusibles principaux à distance Square D	Désignation catalogue des disjoncteurs de dérivation Square D et plages d'intensité admissibles			
		Type	Unipolaire	Bipolaire	Tripolaire
25 000	QD	QO(B)	15-70 A	15-125 A	—
		QOB-VH	—	150 A	—
		QO(B) PL	15-30 A	15-60 A	—
		QO(B) GFI	15-30 A	15-60 A	—
		QO(B) EPD	15-30 A	15-60 A	—
		QO(B) AFI	15-20 A	—	—
		QO(B) CAFI	15-20 A	15-20 A	—
		QO(B) DF	15-20 A	—	—
	ED	QO(B)	15-70 A	15-125 A	—
		QO(B) GFI	15-30 A	15-60 A	—
		QO(B) EPD	15-30 A	15-60 A	—
		QO(B) AFI	15-20 A	—	—
		QO(B) CAFI	15-20 A	15-20 A	—
		QO(B) DF	15-20 A	—	—
	BD, HD, JD, LG	QO(B)	15-70 A	15-125 A	—
		QOB-VH	—	150 A	—
		QO(B) PL	15-30 A	15-60 A	—
		QO(B) GFI	15-30 A	15-60 A	—
		QO(B) EPD	15-30 A	15-60 A	—
		QO(B) AFI	15-20 A	—	—
	BD, HD, JD, LG	QO(B) CAFI	15-20 A	15-20 A	—
QO(B) DF		15-20 A	—	—	
42 000	LA, MA	QO(B)	15-30 A	15-30 A	—

Tableau 2 - Tension max. du système CA : 120/240 1P/3F, 208Y/120 3P/4F, 240/120 3P/4F (Suite)

Courant nominal de court-circuit max.	Disjoncteurs principaux intégrés ou à distance et fusibles principaux à distance Square D	Désignation catalogue des disjoncteurs de dérivation Square D et plages d'intensité admissibles			
		Type	Unipolaire	Bipolaire	Tripolaire
65 000	QG	QO(B)	15-70 A	15-125 A	—
		QO(B) VH	15-70 A	15-125 A	—
		QOB-VH	—	150 A	—
		QO(B) GFI	15-30 A	15-60 A	—
		QO(B) PL	15-30 A	15-60 A	—
		QO(B) AFI	15-20 A	—	—
		QO(B) CAFI	15-20 A	15-20 A	—
		QO(B) DF	15-20 A	—	—
	EG	QO(B)	15-70 A	15-125 A	—
	EG	QO(B) GFI	15-30 A	15-60 A	—
		QO(B) EPD	15-30 A	15-60 A	—
		QO(B) EPE	—	—	—
		QO(B) AFI	15-20 A	—	—
		QO(B) CAFI	15-20 A	15-20 A	—
		QO(B) DF	15-20 A	—	—
	BG, HG, JG, LG	QO(B)	15-70 A	15-125 A	—
		QOB-VH	—	150 A	—
		QO(B) PL	15-30 A	15-60 A	—
		QO(B) GFI	15-30 A	15-60 A	—
		QO(B) EPD	15-30 A	15-60 A	—
		QO(B) AFI	15-20 A	—	—
		QO(B) CAFI	15-20 A	15-20 A	—
		QO(B) DF	15-20 A	—	—

Tableau 2 - Tension max. du système CA : 120/240 1P/3F, 208Y/120 3P/4F, 240/120 3P/4F (Suite)

Courant nominal de court-circuit max.	Disjoncteurs principaux intégrés ou à distance et fusibles principaux à distance Square D	Désignation catalogue des disjoncteurs de dérivation Square D et plages d'intensité admissibles			
		Type	Unipolaire	Bipolaire	Tripolaire
100 000	QJ	QO(B)	15-70 A	15-125 A	—
		QOB-VH	—	150 A	—
		QO(B) PL	15-30 A	15-60 A	—
		QO(B) GFI	15-30 A	15-60 A	—
		QO(B) EPD	15-30 A	15-60 A	—
		QO(B) AFI	15-20 A	—	—
		QO(B) CAFI	15-20 A	15-20 A	—
		QO(B) DF	15-20 A	—	—
	EJ	QO(B)	15-70 A	15-125 A	—
		QO(B) GFI	15-30 A	15-60 A	—
	EJ	QO(B) EPD	15-30 A	15-60 A	—
		QO(B) AFI	15-20 A	—	—
		QO(B) CAFI	15-20 A	15-20 A	—
		QO(B) DF	15-20 A	—	—
	BJ, HJ, JJ	QO(B)	15-70 A	15-125 A	—
		QOB-VH	—	150 A	—
		QO(B) PL	15-30 A	15-60 A	—
		QO(B) GFI	15-30 A	15-60 A	—
		QO(B) EPD	15-30 A	15-60 A	—
		QO(B) AFI	15-20 A	—	—
		QO(B) CAFI	15-20 A	15-20 A	—
		QO(B) DF	15-20 A	—	—
	LJ	QO(B)	15-70 A	15-125 A	—
		QOB-VH	—	150 A	—
		QO(B) GFI	—	15-60 A	—
		QO(B) EPD	—	15-60 A	—
		QO(B) AFI	15-20 A	—	—
		QO(B) CAFI	15-20 A	15-20 A	—
QO(B) DF		15-20 A	—	—	

Tableau 2 - Tension max. du système CA : 120/240 1P/3F, 208Y/120 3P/4F, 240/120 3P/4F (Suite)

Courant nominal de court-circuit max.	Disjoncteurs principaux intégrés ou à distance et fusibles principaux à distance Square D	Désignation catalogue des disjoncteurs de dérivation Square D et plages d'intensité admissibles			
		Type	Unipolaire	Bipolaire	Tripolaire
125 000	HL, JL	QO(B)	15-70 A	15-125 A	—
		QOB-VH	—	150 A	—
		QO(B) PL	15-30 A	15-60 A	—
		QO(B) GFI	15-30 A	15-60 A	—
		QO(B) EPD	15-30 A	15-60 A	—
		QO(B) AFI	15-20 A	—	—
		QO(B) CAFI	15-20 A	15-20 A	—
		QO(B) DF	15-20 A	—	—
200 000	HR, JR	QO(B)	15-70 A	15-125 A	—
		QO(B) GFI	15-30 A	15-60 A	—
		QO(B) EPD	15-30 A	15-60 A	—
		QO(B) AFI	15-20 A	—	—
	HR, JR	QO(B) CAFI	15-20 A	15-20 A	—
		QO(B) DF	15-20 A	—	—

Tableau 3 - Tension max. du système CA : 240 1P/2F

Courant nominal de court-circuit max.	Disjoncteurs principaux intégrés ou à distance et fusibles principaux à distance Square D	Désignation catalogue des disjoncteurs de dérivation Square D et plages d'intensité admissibles			
		Type	Unipolaire	Bipolaire	Tripolaire
25 000	QD, BD, HD, JD, LG	QO(B) H	—	15-100 A	—
42 000	LA, MA	QDL	—	70-225 A	—
65 000	QG, BG, HG, JG, LG	QO(B) H	—	15-100 A	—
100 000	BJ, HJ, JJ, LJ	QO(B) H	—	15-100 A	—
125 000	HL, JL	QO(B) H	—	15-100 A	—

Tableau 4 - Tension max. du système CA : 208Y/120 3P/4F

Courant nominal de court-circuit max.	Disjoncteurs principaux intégrés ou à distance et fusibles principaux à distance Square D	Désignation catalogue des disjoncteurs de dérivation Square D et plages d'intensité admissibles			
		Type	Unipolaire	Bipolaire	Tripolaire
18 000	LA/LH MC	QO(B)	—	—	15-30 A
22 000	QO(B) VH, QOB-VH	QO(B) GFI	—	—	15-50 A

Tableau 4 - Tension max. du système CA : 208Y/120 3P/4F (Suite)

Courant nominal de court-circuit max.	Disjoncteurs principaux intégrés ou à distance et fusibles principaux à distance Square D	Désignation catalogue des disjoncteurs de dérivation Square D et plages d'intensité admissibles			
		Type	Unipolaire	Bipolaire	Tripholaire
25 000	QD, ED, FD, BD, HD, JD	QO(B) GFI	—	—	15-50 A
	LG	QO(B) GFI	—	—	15-30 A
65 000	QG, EG, BG, HG, JG	QO(B) GFI	—	—	15-50 A
	LG	QO(B) GFI	—	—	15-30 A
100 000	QJ	QO(B)	—	—	15-30 A
		QO(B) VH	—	—	15-100 A
		QOB-VH	—	—	110-150 A
		QO(B) PL	—	—	15-30 A
		QO(B) GFI	—	—	15-50 A
		QO(B) EPD	—	—	15-50 A
		QO(B) EPE	—	—	15-50 A
	EJ, BJ, HJ, JJ	QO(B) GFI	—	—	15-50 A

Tableau 5 - Tension max. du système CA : 240/120 3P/4F, 240 3P/3F

Courant nominal de court-circuit max.	Disjoncteurs principaux intégrés ou à distance et fusibles principaux à distance Square D	Désignation catalogue des disjoncteurs de dérivation Square D et plages d'intensité admissibles			
		Type	Unipolaire	Bipolaire	Tripholaire
22 000	QOB VH QOB-VH	QO(B)	—	—	15-100 A
		QO(B) EPD	—	—	15-50 A
		QO(B) EPE	—	—	15-50 A
25 000	QD	QO(B)	—	—	15-30 A
		QD	QO(B) VH	—	—
	QOB-VH		—	—	110-150 A
	QO(B) PL		—	—	15-30 A
	QO(B) EPD		—	—	15-50 A
	QO(B) EPE		—	—	15-50 A
	ED	QO(B)	—	—	15-100 A
		QO(B) EPD	—	—	15-50 A
		QO(B) EPE	—	—	15-50 A
	BD, HD, JD	QO(B)	—	—	15-100 A
		QOB-VH	—	—	110-150 A
		QO(B) PL	—	—	15-30 A
		QO(B) EPD	—	—	15-50 A
		QO(B) EPE	—	—	15-50 A
	LG	QO(B)	—	—	15-30 A
		QO(B) VH	—	—	15-100 A
		QOB-VH	—	—	110-150 A
		QO(B) EPD	—	—	15-30 A
		QO(B) EPE	—	—	15-30 A
	42 000	LA, MA	QDL	—	—
QO(B) VH			—	—	15-30 A
MG		QOB-VH	—	—	110-150 A

Tableau 5 - Tension max. du système CA : 240/120 3P/4F, 240 3P/3F (Suite)

Courant nominal de court-circuit max.	Disjoncteurs principaux intégrés ou à distance et fusibles principaux à distance Square D	Désignation catalogue des disjoncteurs de dérivation Square D et plages d'intensité admissibles				
		Type	Unipolaire	Bipolaire	Tripholaire	
65 000	QG	QO(B)	—	—	15-30 A	
		QO(B) VH	—	—	15-100 A	
	QG	QOB-VH	—	—	110-150 A	
		QO(B) PL	—	—	15-30 A	
	EG	QO(B)	—	—	15-100 A	
		QOB-VH	—	—	110-125 A	
		QO(B) EPD	—	—	15-50 A	
		QO(B) EPE	—	—	15-50 A	
	BG, HG, JG	QO(B)	—	—	15-100 A	
		QOB-VH	—	—	110-150 A	
		QO(B) PL	—	—	15-30 A	
		QO(B) EPD	—	—	15-50 A	
		QO(B) EPE	—	—	15-50 A	
	LG	QO(B)	—	—	15-30 A	
		QO(B) VH	—	—	15-100 A	
		QOB-VH	—	—	110-150 A	
		QO(B) EPD	—	—	15-30 A	
		QO(B) EPE	—	—	15-30 A	
	100 000	EJ	QO(B)	—	—	15-100 A
			QOB-VH	—	—	110-125 A
QO(B) EPD			—	—	15-50 A	
QO(B) EPE			—	—	15-50 A	
BJ, HJ, JJ		QO(B)	—	—	15-100 A	
		QOB-VH	—	—	110-150 A	
		QO(B) PL	—	—	15-30 A	
		QO(B) EPD	—	—	15-50 A	
		QO(B) EPE	—	—	15-50 A	
LJ		QO(B)	—	—	15-30 A	
		QO(B) VH	—	—	15-100 A	
		QOB-VH	—	—	110-150 A	

Tableau 5 - Tension max. du système CA : 240/120 3P/4F, 240 3P/3F (Suite)

Courant nominal de court-circuit max.	Disjoncteurs principaux intégrés ou à distance et fusibles principaux à distance Square D	Désignation catalogue des disjoncteurs de dérivation Square D et plages d'intensité admissibles			
		Type	Unipolaire	Bipolaire	Tripholaire
125 000	HL, JL	QO(B)	—	—	15-100 A
	HL, JL	QOB-VH	—	—	110-150 A
		QO(B) PL	—	—	15-30 A
		QO(B) EPD	—	—	15-50 A
		QO(B) EPE	—	—	15-50 A
200 000	HR, JR	QO(B)	—	—	15-100 A
		QOB-VH	—	—	110-150 A

Tableau 6 - Tension max. du système CA : 120/240 1P/3F, 208Y/120 3P/4F, 240/120 3P/3F

Max. nominal de court-circuit max.	Disjoncteurs principaux intégrés ou à distance et fusibles principaux à distance Square D	Désignation catalogue des disjoncteurs de dérivation Square D et plages d'intensité admissibles			
		Type	Unipolaire	Bipolaire	Tripholaire
42 000	Fusibles classe T3 400 A max.	QO(B) VH	15-70 A	15-125 A	—
65 000	Fusibles classe J 400 A max.	QO(B) VH	15-70 A	15-125 A	—
		QO(B) AFI	15-20 A	—	—
		QO(B) CAFI	15-20 A	15-20 A	—
		QO(B) DF	15-20 A	—	—
	Fusibles classe T6 400 A max.	QO(B) VH	15-70 A	15-125 A	—
		QOB-VH	—	150 A	—
		QO(B) AFI	15-20 A	—	—
		QO(B) CAFI	15-20 A	15-20 A	—
		QO(B) DF	15-20 A	—	—
100 000	Fusibles de classe T3 200 A max.	QO(B)	15-70 A	15-125 A	—
		QO(B) GFI	15-30 A	15-60 A	—
		QO(B) EPD	15-30 A	15-60 A	—
		QO(B) AFI	15-20 A	—	—
		QO(B) CAFI	15-20 A	15-20 A	—
		QO(B) DF	15-20 A	—	—

Tableau 6 - Tension max. du système CA : 120/240 1P/3F, 208Y/120 3P/4F, 240/120 3P/3F (Suite)

Max. nominal de court-circuit max.	Disjoncteurs principaux intégrés ou à distance et fusibles principaux à distance Square D	Désignation catalogue des disjoncteurs de dérivation Square D et plages d'intensité admissibles			
		Type	Unipolaire	Bipolaire	Tripolaire
200 000	Fusibles classe T6 ou J 200 A max.	QO(B)	15-70 A	15-125 A	—
		QO(B) GFI	15-30 A	15-60 A	—
		QO(B) EPD	15-30 A	15-60 A	—
	Fusibles de classe T3 400 A max.	QO(B)	15-70 A	15-125 A	—
		QO(B) GFI	15-30 A	15-60 A	—
		QO(B) EPD	15-30 A	15-60 A	—

Tableau 7 - Tension max. du système CA : 208Y/120 3P/4F

Courant nominal de court-circuit max.	Disjoncteurs principaux intégrés ou à distance et fusibles principaux à distance Square D	Désignation catalogue des disjoncteurs de dérivation Square D et plages d'intensité admissibles			
		Type	Unipolaire	Bipolaire	Tripolaire
65 000	400 A max. Classe J	QO(B) GFI	—	—	15-50 A
100 000	200 A max. Classe T3	QO(B) GFI	—	—	15-50 A
200 000	Fusibles de classe T6 ou J 200 A max.	QO(B) GFI	—	—	15-50 A
	400 A max. Fusibles classe T3	QO(B) GFI	—	—	15-50 A

Tableau 8 - Tension max. du système CA : 240/120 3P/4F, 240 3P/3F

Courant nominal de court-circuit max.	Disjoncteurs principaux intégrés ou à distance et fusibles principaux à distance Square D	Désignation catalogue des disjoncteurs de dérivation Square D et plages d'intensité admissibles			
		Type	Unipolaire	Bipolaire	Tripolaire
50 000	600 A max. Fusibles classe T3	QO(B) VH	—	—	15-30 A
65 000	400 A max. Fusibles classe J	QO(B) VH	—	—	15-100 A
		QO(B) VH	—	—	15-100 A
	400 A max. Fusibles classe T6	QOB-VH	—	—	110-150 A
100 000	200 A max. Fusibles classe T3	QO(B)	—	—	15-100 A
		QO(B) EPD	—	—	15-50 A
		QO(B) EPE	—	—	15-50 A

Tableau 8 - Tension max. du système CA : 240/120 3P/4F, 240 3P/3F (Suite)

Courant nominal de court-circuit max.	Disjoncteurs principaux intégrés ou à distance et fusibles principaux à distance Square D	Désignation catalogue des disjoncteurs de dérivation Square D et plages d'intensité admissibles			
		Type	Unipolaire	Bipolaire	Tripolaire
200 000	Fusibles classe T6 ou J 200 A max.	QO(B)	—	—	15-100 A
		QO(B) EPD	—	—	15-50 A
		QO(B) EPE	—	—	15-50 A
	Fusibles de classe T3 400 A max.	QO(B)	—	—	15-100 A
		QO(B) EPD	—	—	15-50 A
		QO(B) EPE	—	—	15-50 A

REMARQUE: Dans le tableau suivant, « Type » comprend les disjoncteurs AFI, CAFI, EPD et GFI.

Tableau 9 - Sélectivité des disjoncteurs critiques pour panneaux NQ

Courant nominal de court-circuit maximum (symétrique efficace)	Disjoncteurs principaux intégrés ou à distance	Disjoncteurs de dérivation			
		Type	Unipolaire	Bipolaire	Tripolaire
Entièrement calibré et sélectif jusqu'à 10 kA à 208Y / 120 Vac ou à 240/120 Vac	J-W, 250 A L-W, 250 A	QOB	10 à 70	10 à 125	10 à 125
		QOB-H			
		QOB-VH			
		QH			
Convient au raccordement en série et sélectif jusqu'à 12 kA à 208Y/120 V CA ou à 240/120 V CA	J-W, 250 A	QOB	10 à 70	10 à 125	10 à 60
		QOB-H			
		QOB-VH			
		QH			
Convient au raccordement en série et sélectif jusqu'à 15 kA à 208Y/120 V CA ou à 240/120 V CA	J-W, 250 A	QOB	10 à 60	10 à 60	10-30
		QOB-H			
		QOB-VH			
		QH			

Tableau 9 - Sélectivité des disjoncteurs critiques pour panneaux NQ (Suite)

Courant nominal de court-circuit maximum (symétrique efficace)	Disjoncteurs principaux intégrés ou à distance	Disjoncteurs de dérivation			
		Type	Unipolaire	Bipolaire	Tripolaire
Convient au raccordement en série et sélectif jusqu'à 18 kA à 208Y/120 V CA ou à 240/120 V CA	J-W, 250 A	QOB	10-30	10-30	—
		QOB-H			
		QOB-VH			
		QH			
	L-W, 250 A	QOB	10 à 60	10 à 60	10 à 60
		QOB-H			
		QOB-VH			
		QH			
Convient au raccordement en série et sélectif jusqu'à 30 kA à 208Y/120 V CA ou à 240/120 V CA	L-W, 400 A L-W, 600 A	QOB	15 à 70	15 à 150	15 à 150
		QOB-H			
		QOB-VH			
		QH			

Tableau 10 - Courant nominal de court-circuit⁴ pour les intérieurs de cosses principales avec cosses d'alimentation secondaire ou traversantes

Tension de système CA maximale	Courant nominal maximal	Circuits de dérivation ⁵	Application	Additionneur ⁶	Courant nominal de court-circuit max. ⁷	
240	100	18, 30	SFL et FTL	—	10000	
	225	30, 42, 54, 72, 84, 96	SFL	152,4 mm (6 po)		
			FTL	—		
		30, 54, 72, 84, 96		152,4 mm (6 po)		
	400	30, 42, 54, 72, 84	SFL	—	25 000	
				96	—	10000
		30, 84	FTL	—	25 000	
				96	—	10000
				42, 54, 72	152,4 mm (6 po)	25 000
		600	30, 42, 54, 72, 84	FTL	304,8 mm (12 po)	
	96		10000			

Marquage CE

- Les intérieurs portant la marque « CE » sont conformes aux normes CEI 61439-1 et CEI 61439-2.
- L'intérieur à cosses principales portant la marque « CE » a été testé pour résister à une intensité de 10 000 A RMS symétrique pendant 30 cycles.
- Les intérieurs portant la marque « CE » ne sont autorisés que pour une utilisation avec les disjoncteurs de dérivation QOXD ou QOBXD qui portent la marque « CE ».

4. Cette classification s'applique aux intérieurs à cosses principales, équipés de cosses secondaires ou traversantes, lorsque le dispositif alimentant l'intérieur est inconnu ou n'est pas un dispositif Square D. Utilisé en amont de ces cosses, un disjoncteur principal Square D permet d'obtenir une puissance égale à celle du disjoncteur. Les essais de court-circuit sont effectués à 100-105 % de la tension nominale max. du panneau de distribution.
5. La configuration à 96 circuits avec dispositif de protection contre les surtensions (SPD) a 84 circuits de dérivation utilisables.
6. L'additionneur est la longueur supplémentaire de l'armoire.
7. Ampères symétriques efficaces, pour trois cycles.

Restrictions QO2150VH, QO2175VH et QO2200VH

AVIS

RISQUE DE DOMMAGES MATÉRIELS

- Ne pas installer les unités QO2150(VH), QO2175(VH) ou QO2200(VH) dans des applications parasismiques.
- Ne pas installer les unités QO2150(VH), QO2175(VH) ou QO2200(VH) dans des applications de réseau triphasé.
- Ne pas installer plus de quatre QO2175(VH) ou QO2200(VH) au total sur des armoires NEMA 1.
- Ne pas installer plus d'un QO2175(VH) ou QO2200(VH) dans des armoires étanches ventilées NEMA 3R.
- Ne pas installer les unités QO2150(VH), QO2175(VH) ou QO2200(VH) les unes à côté des autres.
- Ne pas installer dans des armoires étanches non ventilées (3R/5/12, 4/4X).
- Pour les disjoncteurs QO2175(VH) et QO2200(VH), installer des façades à verrouillage en trois points.

Le fait de ne pas suivre ces instructions peut endommager l'équipement.

Laisser au moins quatre espaces vides pour plaques d'obturation vides ou disjoncteurs de 125 A ou moins avant d'installer un autre QO2150(VH), QO2175(VH) ou QO2200(VH).

Placer les unités QO2150(VH), QO2175(VH) et QO2200(VH) à côté de l'extrémité de la ligne, à droite pour les applications à arrivée par le haut.

Placer les unités QO2150(VH), QO2175(VH) et QO2200(VH) à côté de l'extrémité de la ligne, à gauche pour les applications à arrivée par le bas.

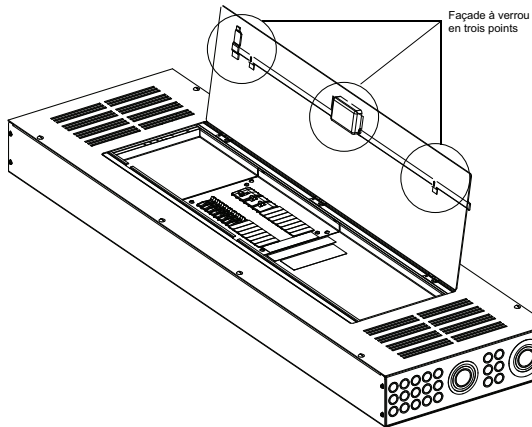
Unités QO2150(VH), QO2175(VH) et QO2200(VH) pour les applications monophasées uniquement.

Tableau 11 - Façades à verrouillage en trois points – Numéro de catalogue⁸

Type	Montage en surface	Montage encastré
Norme	NC50VS3P	NC50VF3P
	NC56VS3P	NC50VF3P
	NC62VS3P	NC62VF3P
	NC68VS3P	NC68VF3P
	NC74VS3P	NC74VF3P
	NC80VS3P	NC80VF3P
	NC86VS3P	NC86VF3P
	NC92VS3P	NC92VF3P
À charnière	NC62VS3PHR	NC62VF3PHR
	NC68VS3PHR	NC68VF3PHR
	NC74VS3PHR	NC74VF3PHR
	NC80VS3PHR	NC80VF3PHR
	NC86VS3PHR	NC86VF3PHR
	NC92VS3PHR	NC92VF3PHR

8. V=Ventilé, HR=Charnière à droite, 3P=Trois points.

Figure 11 - Façade à verrou en trois points



Annexe 2 : Kits d'accessoires

Un assortiment de kits d'accessoires à installer sur place est disponible pour les panneaux NQ :

- Kits de barres de m.à.l.t.
- Kits de cosses de neutre surdimensionnées pour panneaux de 100-600 A
- Kits de cosses secondaires pour panneaux de distribution 100-400 A
- Kit de cosses principales
 - Kits de cosses mécaniques en aluminium
 - Kits de cosses mécaniques en cuivre
 - Kits de cosses à sertir Versa-Crimp en aluminium
 - Kits de cosses à sertir Versa-Crimp en cuivre
- Kits de barrières côté ligne et de brides de fixation au neutre

Kits de barres de m.à.l.t.

Les kits de barres de m.à.l.t. de l'équipement, adaptés aux fils de cuivre ou d'aluminium, répondent aux besoins de mise à la terre des panneaux NQ et des centres de charge QONQ.

Tableau 12 - Spécifications des kits de barre de mise à la terre de l'équipement

Panneau de distribution		Utiliser le numéro de catalogue du kit de barres de m.à.l.t.	
Circuit de dérivation	Calibre Du Réseau	Aluminium ⁹	Cuivre ¹⁰
1 à 42	600 A maximum	(1) PK27GTA	(1) PK27GTACU
54 à 84		(2) PK27GTA	(2) PK27GTACU



Les emplacements de montage de la barre de m.à.l.t. sont identifiés par le symbole de terre estampé sur la paroi arrière de l'armoire.

Kits de cosses de neutre surdimensionnées pour panneaux de 100-600 A

Des kits de cosses de neutre surdimensionnés sont disponibles pour les applications où des conducteurs de terminaison 3 AWG ou plus sont nécessaires pour le neutre.

Tableau 13 - Spécifications des kits de cosses de neutre surdimensionnées pour panneaux de 100-600 A

Calibre du disjoncteur	Numéro de catalogue du kit	Calibre de câble Al/Cu (mm ²)
70 A	QO70AN	(1) #12-#2 AWG Al ([1] 3,3-33,6) (1) #14-#4 AWG Cu ([1] 2,1-21,2)
80-100 A	NQ100AN	(1) 14 - 2/0 AWG Al/Cu ([1] 2,1-67,4)
80-120 A	Q1100AN	(1) 4 - 1/0 AWG Al/Cu ([1] 21,2-53,5)

9. Barres en aluminium adaptées aux conducteurs en cuivre ou en aluminium à 60 °C ou à 75 °C.
10. Barres en cuivre adaptées aux conducteurs en cuivre à 60 °C ou à 75 °C.

Tableau 13 - Spécifications des kits de cosses de neutre surdimensionnées pour panneaux de 100-600 A (Suite)

Calibre du disjoncteur	Numéro de catalogue du kit	Calibre de câble Al/Cu (mm ²)
110-150 A	Q1150AN ¹¹	(1) 1 – 2/0 AWG Al/Cu ([1] 42,4–67,4)
175-200 A	NQ200AN	(1) 4 AWG – 300 kcmil Al/Cu ([1] 21,2–152)

Kits de cosses secondaires pour panneaux de distribution 100-400 A

Les cosses principales secondaires sont disponibles pour les applications 100, 225 ou 400 A.

Tableau 14 - Spécifications des kits de cosses secondaires pour panneaux de distribution 100-400 A

Courant nominal (A)	Numéro de catalogue du kit	Nombre max. de circuits
100	NQSFL1	18, 30
225	NQSFL2	30 ¹² , 42 ¹³ , 54 ¹² , 72 ¹² , 84 ¹²
400	NQSFL4	30, 42, 54, 72, 84

Kit de cosses principales

Tableau 15 - Kits de cosses mécaniques – Aluminium

Courant nominal (A) du panneau	Numéro de catalogue du kit	Calibre de câble Al/Cu (mm ²)
100	Standard	#6 – 2/0 AWG (13,3 – 67,43 mm ²)
225	Standard	6 AWG – 350 kcmil (13,3–177,3 mm ²)

- N'utilisez que du fil de cuivre N° 0 (26,7 mm²) pour les applications à disjoncteur de dérivation de 150 A.
- Avec ces panneaux, réservez un espace supplémentaire de 152,4 mm (6 po) pour le boîtier et la façade afin de pouvoir courber les fils.
- Avec ces panneaux, réservez un espace supplémentaire de 152,4 mm (6 po) pour le boîtier et la façade afin de pouvoir courber les fils.

Tableau 15 - Kits de cosses mécaniques – Aluminium (Suite)

Courant nominal (A) du panneau	Numéro de catalogue du kit	Calibre de câble Al/Cu (mm ²)
400	Standard	(1) 1/0 AWG – 750 kcmil (2) 1/0 AWG–350 kcmil ([1] 53,48 – 380 mm ²) ([2] 53,48 – 177,3 mm ²)
		(2) 1/0 AWG – 750 kcmil ([2] 53,48 – 380 mm ²)
600	Standard	(2) 1/0 AWG – 750 kcmil ([2] 53,48 – 380 mm ²)
	NQALM6A	(3) 6 AWG – 250 kcmil ([3] 13,3–127 mm ²)

Tableau 16 - Kits de cosses mécaniques – Cuivre

Courant nominal (A) du panneau	Numéro de catalogue du kit	Calibre de câble Al/Cu (mm ²)
100	NQCUM1	#6 – 2/0 AWG (13,3 – 67,43 mm ²)
225	NQCUM2	6 AWG – 250 kcmil (13,3–127 mm ²)
400	NQCUM4	(1) 1/0 AWG – 750 kcmil (2) 1/0 AWG – 350 kcmil
600	NQCUM6	([1] 53,48 – 380 mm ²) ([2] 53,48–177,3 mm ²)

Tableau 17 - Kits de cosses à sertir Versa-Crimp™ – Aluminium

Courant nominal (A) du panneau	Numéro de catalogue du kit	Calibre de câble Al/Cu (mm ²)	Outil de sertissage
100	NQALV1	8 – 1/0 AWG (8,36–53,48 mm ²)	VC6 (Tous)
225	NQALV2	#4 AWG – 300 kcmil (21,15 – 152 mm ²)	
400	NQALV4	(2) 2/0 AWG – 500 kcmil ([2] 67,43 – 253,4 mm ²)	VC6–3, VC6–FT
600	NQALV6		

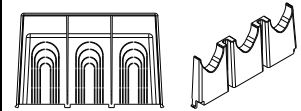
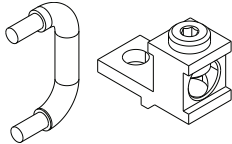
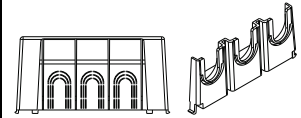
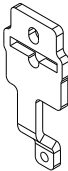
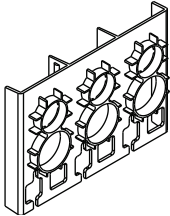
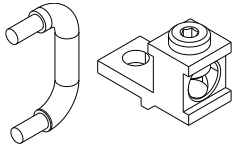
Tableau 18 - Kits de cosses à sertir™ Versa-Crimp – Cuivre

Courant nominal (A) du panneau	Numéro de catalogue du kit	Calibre de câble Al/Cu (mm ²)	Outil de sertissage
100	NQCUV1	#6 – 1/0 AWG (13,30 – 53,48 mm ²)	VC6 (Tous), VC7 (Tous)
225	NQCUV2	2/0 AWG – 300 kcmil (67,43–152 mm ²)	VC6-3, VC7, VC6-FT, VC7–FT
400	NQCUV4	400 – 750 kcmil (202,7 – 380 mm ²)	VC6-FT, VC7–FT, VC8
600	NQCUV6	(2) 250 – 500 kcmil ([2] 126,7–253,4 mm ²)	VC6-3, VC7, VC6-FT, VC7–FT

Kits de barrières côté ligne et de brides de fixation au neutre

En fonction de l'application et du code d'installation adopté, une barrière côté ligne et une bride de fixation au neutre peuvent être nécessaires. Sélectionnez la barrière appropriée dans le tableau ci-dessous, en fonction du disjoncteur principal.

Tableau 19 - Kits de barrières côté ligne et de brides de fixation au neutre

N° de catalogue	Contenu		Description
	Couvercle de cosses de ligne	Bride de fixation au neutre	
NQLALLC			Couvercle de cosses de ligne NQ LA/LH, bride de fixation au neutre et cosse
NQHJQLLC			Couvercle de cosse de ligne™ NQ PowerPacT H/J/Q et bride de fixation au neutre
NQPPLLC			Couvercle de cosses de ligne PowerPact L, bride de fixation au neutre et cosse