

H226NR

Safety switch, heavy duty, fusible, 600A, 2 poles, 200 hp, 240 VAC/250 VDC, NEMA 3R, neutral factory installed



Main

Product	Single Throw Safety Switch
Current Rating	600 A
Number of Poles	2
Voltage Rating	250 V DC 240 V AC
Wire Size	AWG 3/0...500 kcmil copper or aluminium
Disconnect Type	Fusible disconnect
Short Circuit Current Rating	10 KA H or K 200 kA R, J or L
Mounting Type	Surface
Factory Installed Neutral	Neutral (factory installed)
Electrical Connection	Lugs
Duty Rating	Heavy duty
Certifications	UL listed file E2875
Enclosure Rating	NEMA 3R galvanized steel

Complementary

Maximum Horse Power Rating	75 Hp 240 V AC 50...60 Hz 3 phase 200 Hp 240 V AC 50...60 Hz 3 phase 50 hp 250 V DC
Width	27.88 in (708.15 mm)
Height	50.31 in (1277.87 mm)
Maximum Depth	10.13 in (257.30 mm)
Tightening torque	375 lbf.in (42.37 N.m) AWG 3/0...500 kcmil

Ordering and shipping details

Category	00054 - H&HU SW,NEMA3R,400-1200A
Discount Schedule	DE1
GTIN	00785901450726
Nbr. of units in pkg.	1
Package weight(Lbs)	170 lb(US) (77.11 kg)
Returnability	Yes
Country of origin	MX

Packing Units

Unit Type of Package 1	PCE
Package 1 Height	1.17 ft (0.356 m)
Package 1 width	2.38 ft (0.724 m)
Package 1 Length	4.38 ft (1.334 m)

The information provided in this documentation contains general descriptions and/or technical characteristics of the performance of the products contained herein. This documentation is not intended as a substitute for and is not to be used for determining suitability or reliability of these products for specific user applications. It is the duty of any such user or integrator to perform the appropriate and complete risk analysis, evaluation and testing of the products with respect to the relevant specific application or use thereof. Neither Schneider Electric Industries SAS nor any of its affiliates or subsidiaries shall be responsible or liable for misuse of the information contained herein.

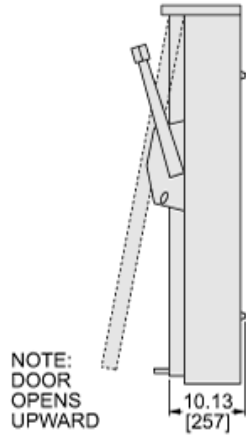
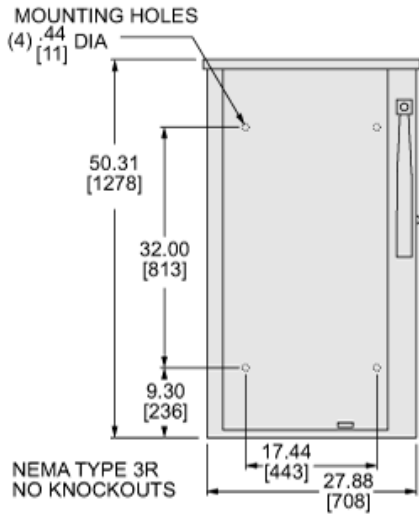
Offer Sustainability

Sustainable offer status	Green Premium product
California proposition 65	WARNING: This product can expose you to chemicals including: Lead and lead compounds, which is known to the State of California to cause cancer and birth defects or other reproductive harm. For more information go to www.P65Warnings.ca.gov
REACH Regulation	REACH Declaration
REACH free of SVHC	Yes
EU RoHS Directive	Compliant EU RoHS Declaration
Mercury free	Yes
RoHS exemption information	Yes
China RoHS Regulation	China RoHS Declaration
Environmental Disclosure	Product Environmental Profile
PVC free	Yes
Halogen content performance	Halogen free plastic parts product

Contractual warranty

Warranty	18 months
----------	-----------

Approximate Dimensions



in.
[mm]

