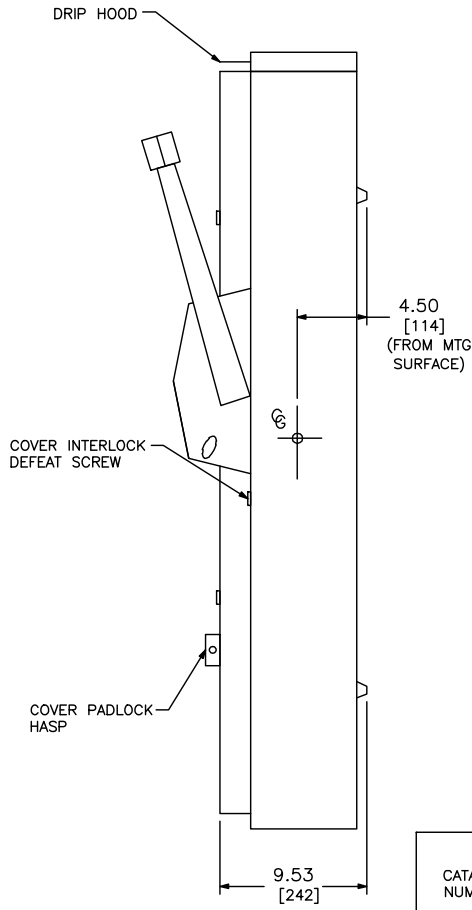
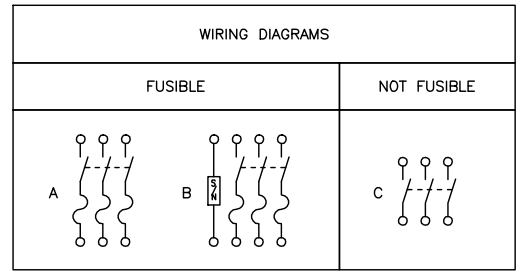


NEMA TYPE 3R
NO KNOCKOUTS

NOTES:
FINISH - GRAY BAKED ENAMEL
UL LISTED - FILE E-154828
ALL NEUTRALS - INSULATED GROUNDABLE
SUITABLE FOR USE AS SERVICE EQUIPMENT
SHORT CIRCUIT CURRENT RATINGS:
10,000 AMPERES WHEN USED WITH OR PROTECTED BY CLASS H OR K FUSES.
200,000 AMPERES WHEN USED WITH OR PROTECTED BY CLASS R FUSES HAVING
CLASS R REJECTION KITS INSTALLED OR CLASS J FUSES.



NOTE: SIDE HINGED DOOR



TERMINAL LUGS DATA

AMPERE	MAX WIRE	MIN WIRE	TYPE
400	(1) 750 KCMIL OR	(1) #1/0 AWG OR	AL OR CU
	(2) 300 KCMIL	(2) #1/0 AWG	

SEISMIC NOTES:
USE (4) 3/8" DIA GRADE 5 STEEL MOUNTING BOLTS @ HOLES AA
MAX CONFIGURED WEIGHT 179 LB FOR THE PURPOSE OF DETERMINING
SEISMIC ANCHORAGE REQUIREMENTS. FOR ALL OTHER APPLICATIONS,
CONTACT SCHNEIDER ELECTRIC.

DUAL DIMENSIONS: INCHES
MILLIMETERS

CATALOG NUMBER	VOLTAGE RATINGS	WIRING DIAG	HORSEPOWER RATINGS							
			240VAC		480VAC		600VAC		250 VDC	600 VDC
			STD	MAX	STD	MAX	STD	MAX	STD	STD
H325NR	240VAC;250VDC	B	50	125	-	-	-	-	50	-
H325R	240VAC;250VDC	A	50	125	-	-	-	50	-	
H365NR	600VAC;600VDC	B	50	125	100	250	125	350	50	50
H365R	600VAC;600VDC	A	50	125	100	250	125	350	50	50
HU365R	600VAC;600VDC	C	-	125	-	250	-	350	50	50

HEAVY DUTY SAFETY SWITCHES
VISIBLE BLADE TYPE
400 AMPERE - SERIES E5
ENCLOSURE - NEMA TYPE 3R RAINPROOF (SUFFIX R)
SEISMIC

SQUARE D
by Schneider Electric
DWG# 3455S
NO.