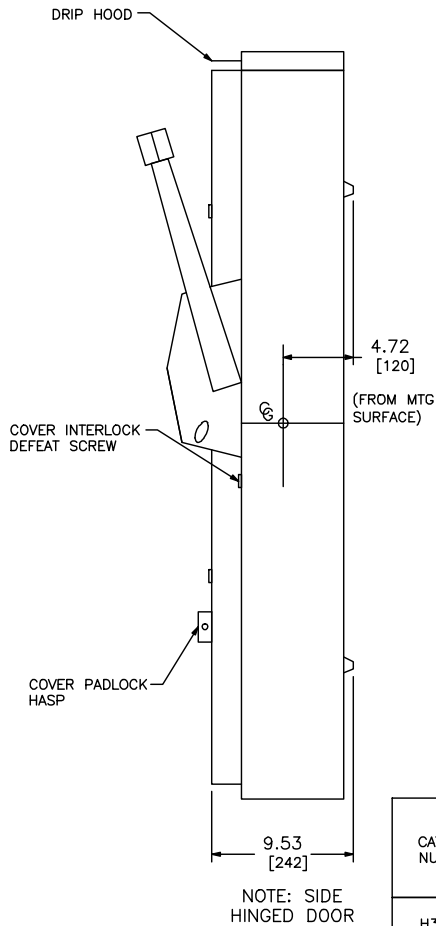
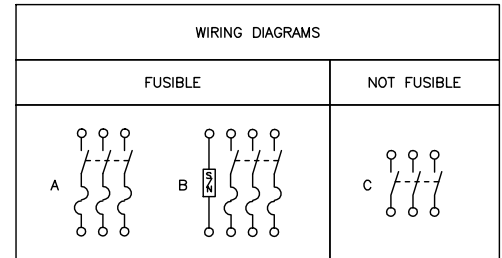


NEMA TYPE 3R
NO KNOCKOUTS

NOTES:
FINISH - GRAY BAKED ENAMEL
UL LISTED - FILE E-154828
ALL NEUTRALS - INSULATED GROUNDABLE
SUITABLE FOR USE AS SERVICE EQUIPMENT
SHORT CIRCUIT CURRENT RATINGS:
10,000 AMPERES WHEN USED WITH OR PROTECTED BY CLASS H OR K FUSES.
200,000 AMPERES WHEN USED WITH OR PROTECTED BY CLASS R FUSES HAVING
CLASS R REJECTION KITS INSTALLED OR CLASS J FUSES.



SEISMIC NOTES:
USE (4) 3/8" DIA GRADE 5 STEEL MOUNTING BOLTS @ HOLES AA
MAX CONFIGURED WEIGHT 179 LB FOR THE PURPOSE OF DETERMINING
SEISMIC ANCHORAGE REQUIREMENTS. FOR ALL OTHER APPLICATIONS,
CONTACT SQUARE D COMPANY.



TERMINAL LUGS DATA			
AMPERES	MAX WIRE	MIN WIRE	TYPE
600	(2) 500 KCMIL	(2) #3/0 AWG	AL OR CU

DUAL DIMENSIONS: INCHES
MILLIMETERS

CATALOG NUMBER	VOLTAGE RATINGS	WIRING DIAG.	HORSEPOWER RATINGS							
			240VAC		480VAC		600VAC		250 VDC	600 VDC
			STD	MAX	STD	MAX	STD	MAX		
H326NR	240VAC;250VDC	B	75	200	-	-	-	-	50	-
H326R	240VAC;250VDC	A	75	200	-	-	-	-	50	-
H366NR	600VAC;600VDC	B	75	200	150	400	200	500	50	50
H366R	600VAC;600VDC	A	75	200	150	400	200	500	50	50
HU366R	600VAC;600VDC	C	-	200	-	400	-	500	50	50

HEAVY DUTY SAFETY SWITCHES - SEISMIC
VISIBLE BLADE TYPE
600 AMPERE - SERIES E5
ENCLOSURE - NEMA TYPE 3R RAINPROOF (SUFFIX R)



DWG# 3454S
No.