



Main

Product	Single Throw Safety Switch
Current Rating	400 A
Number of Poles	3
Voltage Rating	600 V AC/DC
Wire Size	AWG 1/0...750 kcmil copper or aluminium
Disconnect Type	Fusible disconnect
Short Circuit Current Rating	10 KA H or K 200 kA R, J or L
Mounting Type	Surface
Factory Installed Neutral	Neutral (factory installed)
Electrical Connection	Lugs
Duty Rating	Heavy duty
Certifications	UL listed file E2875
Enclosure Rating	NEMA 1 steel

Complementary

Maximum Horse Power Rating	100 Hp at 480 V AC 50...60 Hz for 3 phases motors conforming to NEC 240.6 250 Hp at 480 V AC 50...60 Hz for 3 phases motors conforming to NEC 430.52 125 Hp at 600 V AC 50...60 Hz for 3 phases motors conforming to NEC 240.6 350 Hp at 600 V AC 50...60 Hz for 3 phases motors conforming to NEC 430.52 50 Hp 250 V DC 50 hp 600 V DC
Width	27.63 in (701.80 mm)
Height	50.25 in (1276.35 mm)
Maximum Depth	10.13 in (257.30 mm)
Tightening torque	62.14 N.m (AWG 1/0...750 kcmil)

Ordering and shipping details

Category	00053 - H&HU SW,NEMA1,400-1200A
Discount Schedule	DE1
GTIN	00785901451778
Nbr. of units in pkg.	1
Package weight(Lbs)	172 lb(US) (78.02 kg)
Returnability	Yes
Country of origin	MX

Packing Units

Unit Type of Package 1	PCE
Package 1 Height	14.02 in (35.6 cm)
Package 1 width	28.50 in (72.4 cm)
Package 1 Length	51.50 in (130.8 cm)

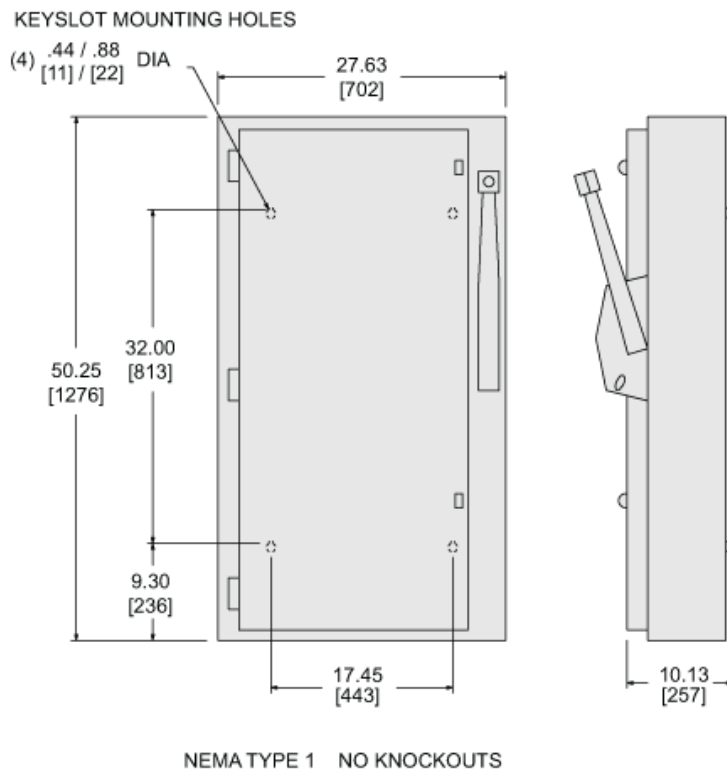
Offer Sustainability

Sustainable offer status	Green Premium product
California proposition 65	WARNING: This product can expose you to chemicals including: Lead and lead compounds, which is known to the State of California to cause cancer and birth defects or other reproductive harm. For more information go to www.P65Warnings.ca.gov
REACH Regulation	REACH Declaration
REACH free of SVHC	Yes
EU RoHS Directive	Compliant EU RoHS Declaration
Mercury free	Yes
RoHS exemption information	Yes
China RoHS Regulation	China RoHS Declaration
Environmental Disclosure	Product Environmental Profile
WEEE	The product must be disposed on European Union markets following specific waste collection and never end up in rubbish bins.
PVC free	Yes
Halogen content performance	Halogen free plastic parts product

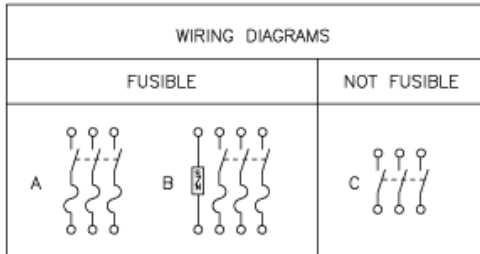
Contractual warranty

Warranty	18 months
----------	-----------

Approximate Dimensions



Wiring Diagrams



NOTE: FOR SWITCHING DC USE TWO OUTSIDE POLES.

TERMINAL LUGS DATA			
AMPERES	MAX WIRE	MIN WIRE	TYPE
400	(1) 750 KCMIL OR (2) 300 KCMIL	(1) #1/0 AWG OR (2) #1/0 AWG	AL OR CU

CATALOG NUMBER	MAX VOLTAGE RATINGS	WIRING DIAG	HORSEPOWER RATINGS							
			240VAC		480VAC		600VAC		250 VDC	600 VDC
			MAX	STD	MAX	STD	MAX	MAX	MAX	
H365	600VAC:600VDC	A	–	100	250	125	350	50	50	
H365N	600VAC:600VDC	B	–	100	250	125	350	50	50	
HU365	600VAC:600VDC	C	125	–	250	–	350	50	50	