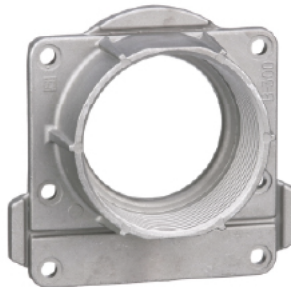


Hubs

Catalog

6660CT9601
08/2022



Legal Information

The Schneider Electric brand and any trademarks of Schneider Electric SE and its subsidiaries referred to in this guide are the property of Schneider Electric SE or its subsidiaries. All other brands may be trademarks of their respective owners.

This guide and its content are protected under applicable copyright laws and furnished for informational use only. No part of this guide may be reproduced or transmitted in any form or by any means (electronic, mechanical, photocopying, recording, or otherwise), for any purpose, without the prior written permission of Schneider Electric.

Schneider Electric does not grant any right or license for commercial use of the guide or its content, except for a non-exclusive and personal license to consult it on an "as is" basis. Schneider Electric products and equipment should be installed, operated, serviced, and maintained only by qualified personnel.

As standards, specifications, and designs change from time to time, information contained in this guide may be subject to change without notice.

To the extent permitted by applicable law, no responsibility or liability is assumed by Schneider Electric and its subsidiaries for any errors or omissions in the informational content of this material or consequences arising out of or resulting from the use of the information contained herein.

Table of Contents

Series A and A-L	5
Series B Hubs.....	7
Series H Hubs	9

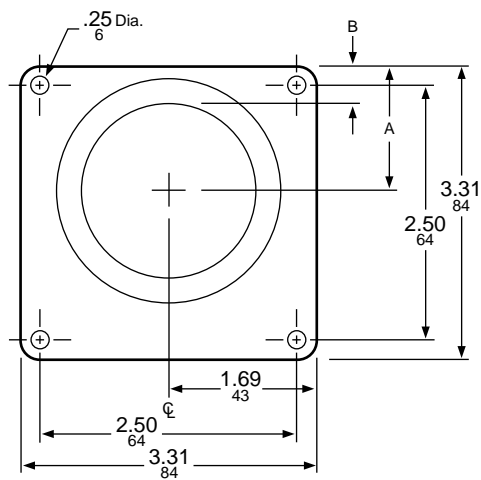
Series A and A-L

Series A Hubs



- Equipment with provisions for A Hubs:
 - Individual Meter Sockets, Class 4131
 - Horizontal Ganged Meter Sockets, Class 4121
 - Combination Service Entrance Devices, Class 4119/4120
- Bolt-on hub supplied with four 12–24 x 3/4 inch slotted hex-washer head screws.

Conduit Size	Closing Plate	1 in.	1¼ in.	1½ in.	2 in.	2½ in.
Catalog Number	ACP	A100	A125	A150	A200	A250



Hub Mounting Dimensions

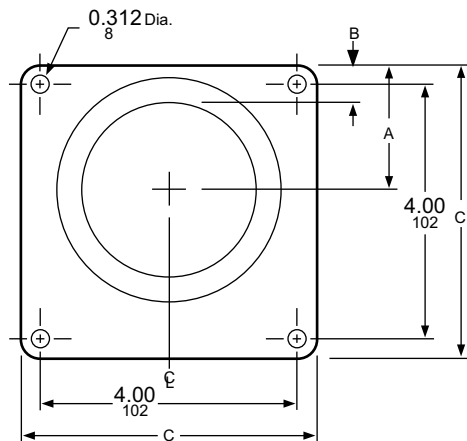
Hub Catalog Number	Conduit Size in.	"A"		"B"	
		in.	mm	in.	mm
A100	1	0.94	24	0.44	11
A125	1¼	1.00	25	0.44	11
A150	1½	1.25	32	0.50	13
A200	2	1.50	38	0.50	13
A250	2½	1.69	43	0.44	11

Series A-L Hubs



- Equipment with provisions for A-L Hubs:
 - Individual Meter Sockets, Class 4131
 - Horizontal Ganged Meter Sockets, Class 4121
 - Combination Service Entrance Devices, Class 4119/4120
- Bolt-on hub supplied with four 1/4–20 x 1/2 inch slotted screws.
- Adapter plate required to allow use of “A” hubs on “A-L” size hub openings: catalog number AAP.

Conduit Size	Closing Plate	2 in.	2½ in.	3 in.	4 in.
Catalog Number	ACPL	A200L	A250L	A300L	A400L

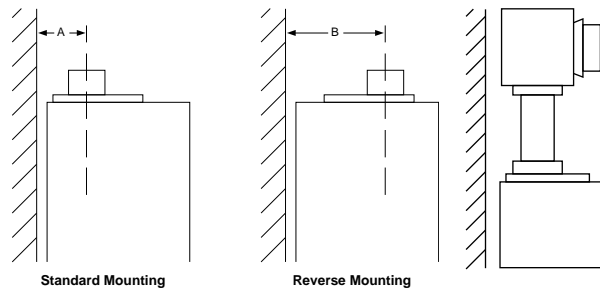


A-L Hub Mounting Dimensions

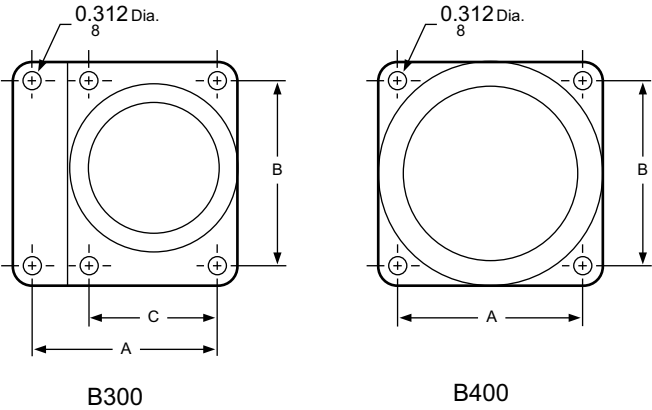
Hub Catalog Number	Conduit Size	“A”		“B”		“C”	
	in.	in.	mm	in.	mm	in.	mm
A200L	2	1.94	49	0.94	24	4.63	118
A250L	2–1/2	2.00	51	0.88	22	4.63	118
A300L	3	2.13	54	0.63	16	5.00	127
A400L	4	2.50	64	0.50	13	5.00	127

Series B Hubs

- Equipment with provisions for B hubs (NEMA Type 3R) with “RB suffix” in catalog number:
 - QO load centers, Class 1130
 - HomeLine load centers, Class 1170
 - Combination service entrance devices, Class 4119/4120
 - General duty safety switches (30–200 A), Class 3130
 - Heavy duty safety switches (30–200 A), Class 3110
 - Double throw switches (30–200 A), Class 3140
 - Circuit breaker enclosures, Class 610
- B hub provisions are available on NEMA Type 3R devices only with “RB suffix” in catalog number.
- Devices with B hub provisions are supplied with closing cap, catalog number BCAP. To mount B hub, discard BCAP and mount hub with screws from closing cap.
- B300, B400 hubs are supplied with gaskets for devices with “R suffix” in catalog number.
- Typical hub adjustment for RB devices.
- Off-center conduit thread openings eliminate costly conduit offsets and bends.



Hub Size	Mounting Surface to C/L of Hub Opening							
	Dimension A				Dimension B			
	Minimum		Maximum		Minimum		Maximum	
	in.	mm	in.	mm	in.	mm	in.	mm
3/4, 1–1/4 in..	1.13	29	1.50	38	2.00	51	2.38	60
1–1/2 in.	1.25	32	1.63	41	1.88	48	2.25	57
2 in.	1.50	38	1.88	48	1.63	41	2.00	51
2–1/2 in.	1.75	44	1.75	44	1.75	44	1.75	44



Hub Size	Hub Catalog Number	Mounting Dimensions					
		A		B		C	
		in.	mm	in.	mm	in.	mm
3 in.	B300	4.13	105	4.13	105	2.63	67
4 in.	B400	4.13	105	4.13	105	-	-



Conduit Size	Closing Cap	3/4 in.	1 in.	1-1/4 in.	1-1/2 in.	2 in.	2-1/2 in.	3 in.	4 in.
Catalog Number	B-CAP	B075	B100	B125	B150	B200	B250	B300 ¹	B400

NOTE: Closing cap (catalog number B-CAP) is provided factory installed on each device having "RB" suffix.

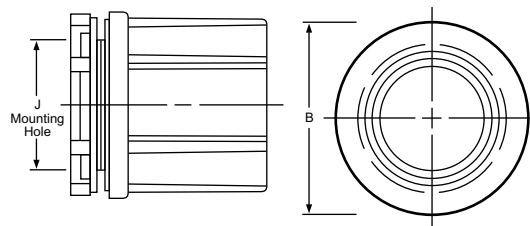
NOTE: Hubs, thru size 2-1/2 in. can be directly installed on "RB" devices. Devices requiring 3 in. or larger, hubs must have holes cut in the field.

1. B300 requires 4 in.(102mm) deep box and will fit knock-out for 2-1/2 in. conduit.

Series H Hubs



- Equipment used on:
 - Heavy duty safety switches (NEMA Type 4, 4X, 5, and 12), Class 3110
 - Circuit Breaker Enclosures, (NEMA Type 4, 4X, 5, and 12) Class 610
- Watertight conduit hub, with gasket and insulated throat.
- Threaded opening for conduit.
- For use with NEMA Type 4, 4X, and 5 Stainless Steel and NEMA type 12 switch and circuit breaker enclosures.



Conduit Size		½ in.		¾ in.		1 in.		1-¼ in.		1-½ in.		2 in.		2-½ in.		3 in.		3-½ in.		4 in.	
		in.	mm	in.	mm	in.	mm	in.	mm	in.	mm	in.	mm	in.	mm	in.	mm	in.	mm	in.	mm
Mounting Hole "J"	Min.	0.859	22	1.075	27	1.328	34	1.687	43	1.859	47	2.391	61	2.891	73	3.516	89	4.015	102	4.516	115
	Max.	0.922	23	1.125	29	1.406	36	1.766	45	2.015	51	2.547	65	3.047	77	3.672	93	4.175	106	4.672	119
Outside Diameter "B"		1.203	31	1.625	41	1.891	48	2.312	59	2.625	67	3.156	80	3.703	94	4.312	110	4.813	122	5.312	135
Standard-Zinc Hub Catalog Number		H050		H075		H100		-		-		H200		-		H300		H350		H400	
Chrome Plated Hub Catalog Number		H050CP		H075CP		H100CP		-		H150CP		H200CP		-		-		-		-	

Schneider Electric
800 Federal Street
01810 Andover, MA
USA

888-778-2733

www.se.com

As standards, specifications, and design change from time to time,
please ask for confirmation of the information given in this publication.

© 1996 – 2022 Schneider Electric. All rights reserved.

6660CT9601