

Product data sheet

Characteristics

D222NRB

Safety switch, general duty, fusible, 60A, 2 poles, 15 hp, 120 VAC, NEMA 3R, bolt-on provision, neutral factory installed



Main

Product	Single Throw Safety Switch
Current Rating	60 A
Certifications	UL listed file E2875
Enclosure Rating	NEMA 3R
Disconnect Type	Fusible disconnect switch
Factory Installed Neutral	Neutral (factory installed)
Short Circuit Current Rating	100 kA maximum depending on fuse H, K or R
Mounting Type	Surface
Number of Poles	2
Electrical Connection	Lugs
Duty Rating	General duty
Voltage Rating	240 V AC
Wire Size	AWG 12...AWG 3 aluminium AWG 14...AWG 3 copper

Complementary

Maximum Horse Power Rating	1.5 Hp 120 V AC 60 Hz 1 phase NEC 240.6 3 Hp 120 V AC 60 Hz 3 phase NEC 430.52 3 Hp 240 V AC 60 Hz 1 phase NEC 240.6 7.5 Hp 240 V AC 60 Hz 3 phase NEC 240.6 10 Hp 240 V AC 60 Hz 1 phase NEC 430.52 15 hp 240 V AC 60 Hz 3 phase NEC 430.52
Tightening torque	35 Lbf.In (3.95 N.m) 0.00...0.01 in ² (2.08...5.26 mm ²) AWG 14...AWG 10) 35 Lbf.In (3.95 N.m) AWG 14...AWG 10) 45 Lbf.In (5.08 N.m) 0.01 in ² (8.37 mm ²) AWG 8) 45 Lbf.In (5.08 N.m) 0.02...0.03 in ² (12.3...21.12 mm ²) AWG 6...AWG 4) 50 lbf.in (5.65 N.m) 0.04 in ² (26.67 mm ²) AWG 3)
Height	14.88 in (377.95 mm)
Width	7.45 in (189.23 mm)
Maximum Depth	4.87 in (123.70 mm)

Ordering and shipping details

Category	00106 - D & DU SW,NEMA3R, 30-200A
Discount Schedule	DE1A
GTIN	00785901460640
Nbr. of units in pkg.	1
Package weight(Lbs)	8.25 lb(US) (3.74 kg)
Returnability	Yes
Country of origin	US

Packing Units

Unit Type of Package 1	PCE
Package 1 Height	5.20 in (13.208 cm)
Package 1 width	7.70 in (19.558 cm)
Package 1 Length	16.20 in (41.148 cm)
Unit Type of Package 2	PAL
Number of Units in Package 2	120

Package 2 Weight	1022.00 lb(US) (463.571 kg)
Package 2 Height	45.00 in (114.3 cm)
Package 2 width	40.00 in (101.6 cm)
Package 2 Length	48.00 in (121.92 cm)

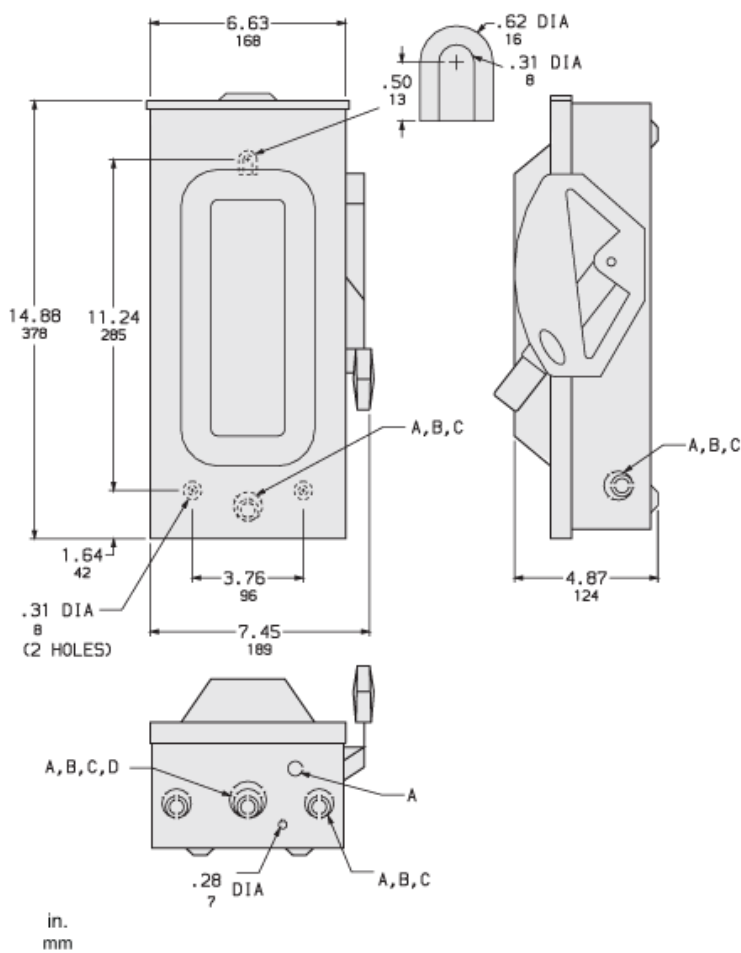
Offer Sustainability

Sustainable offer status	Green Premium product
California proposition 65	WARNING: This product can expose you to chemicals including: Lead and lead compounds, which is known to the State of California to cause cancer and birth defects or other reproductive harm. For more information go to www.P65Warnings.ca.gov
REACH Regulation	REACH Declaration
REACH free of SVHC	Yes
EU RoHS Directive	Compliant EU RoHS Declaration
Mercury free	Yes
RoHS exemption information	Yes
China RoHS Regulation	China RoHS Declaration
Environmental Disclosure	Product Environmental Profile
PVC free	Yes

Contractual warranty

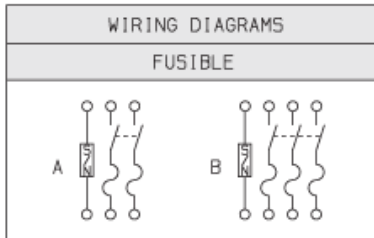
Warranty	18 months
----------	-----------

Approximate Dimensions



KNOCKOUTS				
SYMBOL	CONDUIT SIZE		DIAMETER	
	IN	MM	IN	MM
A	.50	13	.88	22
B	.75	19	1.13	29
C	1.00	25	1.38	35
D	1.25	32	1.75	45

Connections and Wiring Diagrams



TERMINAL LUGS †			
AMPERES	MAX. WIRE	MIN. WIRE	TYPE
60	# 3 AWG	# 14 AWG	CU OR AL

† LUGS SUITABLE FOR 60°C OR 75°C CONDUCTORS.

CATALOG NUMBER	VOLTAGE RATINGS	WIRING DIAG.	AMPERE RATING	HORSEPOWER RATINGS			
				240VAC			
				STD.		MAX.	
				1 Ø	3 Ø	1 Ø	3 Ø
D222NRB	240VAC	A	60	3	7.50 ●	10	15 ●
D322NRB	240VAC	B	60	3 ✱	7.50	10	15

✱ USE OUTER SWITCHING POLES.

● FOR CORNER GROUNDED DELTA SYSTEMS ONLY.