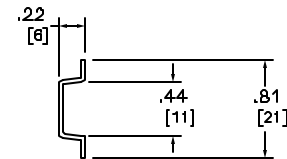
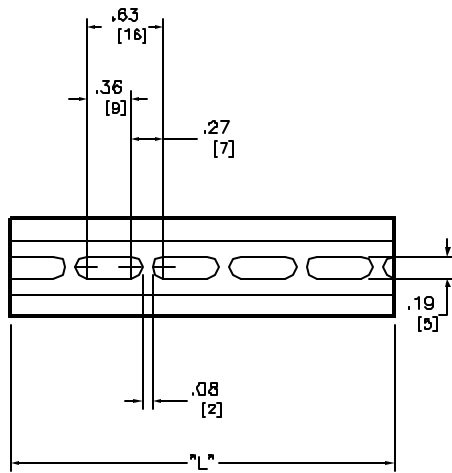


TYPE CODE (1)	LENGTH L	
	IN	MM
GH103	3	76
GH104	4	102
GH105	5	127
GH106	6	152
GH107	7	178
GH108	8	203
GH109	9	229
GH110	10	254
GH111	11	279
GH112	12	305
GH113	13	330
GH114	14	356
GH115	15	381
GH116	16	406
GH117	17	432
GH118	18	457
GH136	36	914
GH148	48	1219
GH172	72	1829



Catalog Number: 9080-(1)  
 Ratings: SEE CHART  
 UL File/CCN: -  
 CSA File/Class: -  
 Meets Standards: -  
 Weight: 0.38lbs./38"  
 Wire Sizes: -  
 Terminal torque: -  
 Mounting Hwd.: #10 SCREWS

DUAL DIMENSIONS: INCHES  
MILLIMETERS

TERMINAL BLOCKS  
 (TYPE G) (NEMA)  
 CLASS 9D80 TYPE (1)



DWG# E0802201-01  
NO.