



Main

Product	Single Throw Safety Switch
Current Rating	60 A
Certifications	UL listed file E2875
Enclosure Rating	NEMA 3R
Disconnect Type	Non-fusible disconnect switch
Factory Installed Neutral	None
Mounting Type	Surface
Number of Poles	3
Electrical Connection	Lugs
Duty Rating	General duty
Voltage Rating	240 V AC
Wire Size	AWG 12...AWG 3 aluminium AWG 14...AWG 3 copper

Complementary

Short-circuit withstand	200 kA
Maximum Horse Power Rating	10 Hp 240 V AC 60 Hz 1 phase NEC 430.52 15 hp 240 V AC 60 Hz 3 phase NEC 430.52
Tightening torque	35 Lbf.In (3.95 N.m) 0.00...0.01 in ² (2.08...5.26 mm ²) AWG 14...AWG 10) 35 Lbf.In (3.95 N.m) AWG 14...AWG 10) 45 Lbf.In (5.08 N.m) 0.01 in ² (8.37 mm ²) AWG 8) 45 Lbf.In (5.08 N.m) 0.02...0.03 in ² (12.3...21.12 mm ²) AWG 6...AWG 4) 50 lbf.in (5.65 N.m) 0.04 in ² (26.67 mm ²) AWG 3)
Height	9.63 in (244.60 mm)
Width	7.75 in (196.85 mm)
Maximum Depth	3.75 in (95.25 mm)

Ordering and shipping details

Category	00106 - D & DU SW,NEMA3R, 30-200A
Discount Schedule	DE1A
GTIN	00785901491767
Nbr. of units in pkg.	1
Package weight(Lbs)	4.85 lb(US) (2.20 kg)
Returnability	Yes
Country of origin	MX

Packing Units

Unit Type of Package 1	PCE
Package 1 Height	5.30 in (13.462 cm)
Package 1 width	7.80 in (19.812 cm)
Package 1 Length	9.80 in (24.892 cm)
Unit Type of Package 2	CAR
Number of Units in Package 2	5
Package 2 Weight	25.70 lb(US) (11.657 kg)
Package 2 Height	10.70 in (27.178 cm)
Package 2 width	10.40 in (26.416 cm)

Package 2 Length	23.80 in (60.452 cm)
Unit Type of Package 3	PAL
Number of Units in Package 3	120
Package 3 Weight	660.00 lb(US) (299.371 kg)
Package 3 Height	36.00 in (91.44 cm)
Package 3 width	40.00 in (101.6 cm)
Package 3 Length	48.00 in (121.92 cm)

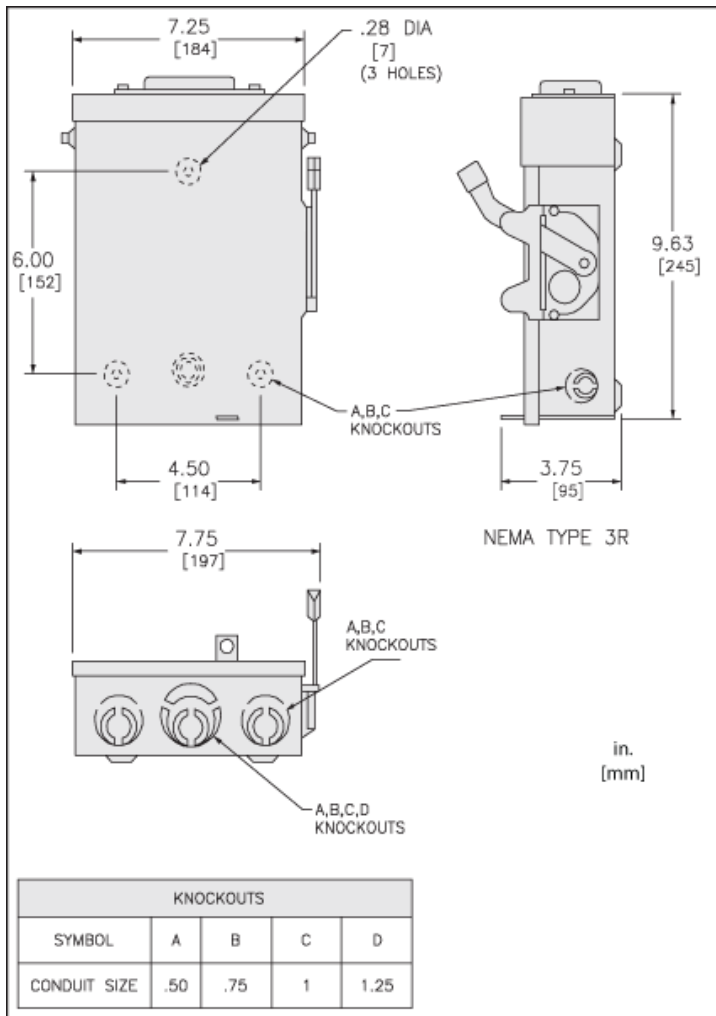
Offer Sustainability

Sustainable offer status	Green Premium product
California proposition 65	WARNING: This product can expose you to chemicals including: Lead and lead compounds, which is known to the State of California to cause cancer and birth defects or other reproductive harm. For more information go to www.P65Warnings.ca.gov
REACH Regulation	REACH Declaration
REACH free of SVHC	Yes
EU RoHS Directive	Compliant EU RoHS Declaration
Toxic heavy metal free	Yes
Mercury free	Yes
RoHS exemption information	Yes
China RoHS Regulation	China RoHS Declaration
Environmental Disclosure	Product Environmental Profile
PVC free	Yes

Contractual warranty

Warranty	18 months
----------	-----------

Approximate Dimensions



Connections and Wiring Diagrams

