

Product availability : Stock - Normally stocked in distribution facility



Price* : 2846.00 USD



Main

Range of product	Modicon Quantum automation platform
Product or component type	Analogue output module

Complementary

Analogue output number	4
Addressing requirement	4 output words
Analogue output range	+/- 10 V >= 1000 Ohm bipolar voltage +/- 5 V >= 500 Ohm bipolar voltage 0...10 V >= 1000 Ohm unipolar voltage 0...5 V >= 500 Ohm unipolar voltage
Analogue output resolution	12 bits
Analogue output current	-10...10 mA
Source resistance	0.1 Ohm
Cable length	<= 1312.34 ft (400 m)
Absolute accuracy error	+/- 0.15 % of full scale at 77 °F (25 °C)
Linearity	+/- 1 LSB
Accuracy drift according to temperature	0.003 % of full scale/°C unipolar 0.004 % of full scale/°C bipolar 0.005 % of full scale/°C maximum unipolar 0.007 % of full scale/°C maximum bipolar
Isolation between channels	500 V for 1 minute 47...63 Hz AC
Isolation between channels and bus	780 V for 1 minute AC
Update time	3 ms
Setting time	700 µs to +/- 0.1 % of the final value maximum
Bus current requirement	700 mA
Power dissipation in W	<= 4.5 W
Associated fuse rating	0.063 mA 3 AG fast blow 250 V
Marking	CE
Local signalling	4 LEDs green channel is turned on

4 LEDs red channel fault
1 LED green bus communication is present (Active)
1 LED red external fault

Module format	Standard
Product weight	0.66 lb(US) (0.3 kg)

Environment

Product certifications	CUL FM Class 1 Division 2
Standards	CSA C22.2 No 142 UL 508
Resistance to electromagnetic fields	9.14 V/yd (10 V/m) 80...2000 MHz conforming to IEC 801-3
Ambient air temperature for operation	32...140 °F (0...60 °C)
Ambient air temperature for storage	-40...185 °F (-40...85 °C)
Relative humidity	95 % without condensation
Operating altitude	<= 16404.2 ft (5000 m)

Ordering and shipping details

Category	18155 - QUANTUM I/O & POWER SUPPLIES
Discount Schedule	PC21
GTIN	00785901792284
Nbr. of units in pkg.	1
Package weight(Lbs)	1.04
Returnability	Y
Country of origin	FR

Offer Sustainability

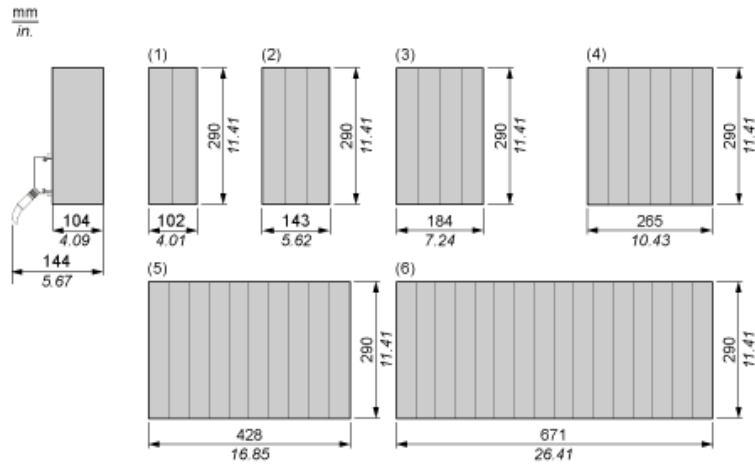
Sustainable offer status	Green Premium product
RoHS (date code: YYWW)	Compliant - since 1012 - Schneider Electric declaration of conformity Schneider Electric declaration of conformity
REACH	Reference not containing SVHC above the threshold Reference not containing SVHC above the threshold
Product environmental profile	Available
Product end of life instructions	Available

Contractual warranty

Warranty period	18 months
-----------------	-----------

Racks for Modules Mounting

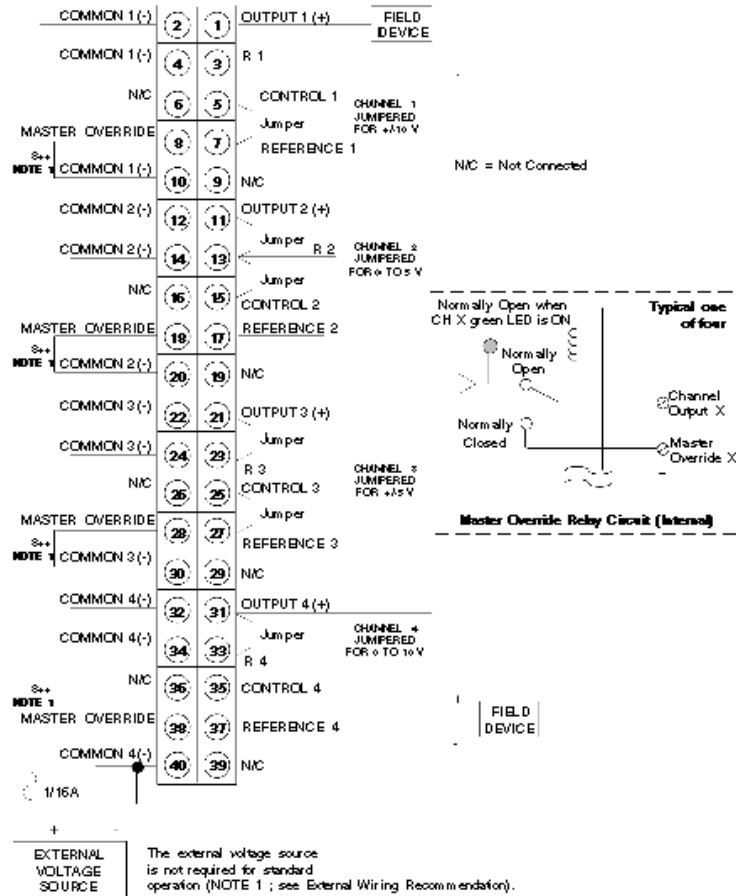
Dimensions of Modules and Racks



- (1) 2 slots
- (2) 3 slots
- (3) 4 slots
- (4) 6 slots
- (5) 10 slots
- (6) 16 slots

Analog Output 4-Channel Voltage Module

Wiring Diagram



N/C Not Connected

External Wiring Recommendation

1. Master override is an input connected via an internal relay contact to the output when the module is not active. If connected to an external source, the master
2. If the master override is not connected to an external source, then it must be connected to common of that channel. The master override relay transition time
3. The master override inputs must be from an external supply with a source impedance of <math><200 \Omega</math> or tied to system common. These inputs for channels that ar