

140DAI55300

discrete input module Modicon Quantum - 32 I - 115 V AC

Product availability : Stock - Normally stocked in distribution facility

Price* : 2048.15 USD



Main

Range of product	Modicon Quantum automation platform
Product or component type	VAC discrete input modules
Software name	Concept ProWORX 32 Unity Pro
Discrete input number	32

Complementary

Group of channels	4
Addressing requirement	2 input words
Discrete input voltage	115 V AC
Input current	<= 11.1 mA 57...63 Hz <= 13.2 mA 47...53 Hz
Voltage state 1 guaranteed	79...132 V AC at 57...63 Hz 85...132 V AC at 47...53 Hz
Voltage state 0 guaranteed	0...20 V AC at 57...63 Hz 0...20 V AC at 47...53 Hz
Input impedance	12000 Ohm capacitive at 57...63 Hz 14400 Ohm capacitive at 47...53 Hz
Network frequency limits	47...63 Hz
Leakage current	<= 2.1 mA
Absolute maximum input	132 V continuous 156 V 10 s 200 V 1 cycle
Response time	4.9...0.75 ms x line cycle Off-On 7.3...12.3 ms On-Off
Isolation between group	1780 Vrms for 1 minute
Isolation between group and bus	1780 Vrms for 1 minute

Bus current requirement	250 mA
Power dissipation in W	<= 10.9 W
Local signalling	1 LED green bus communication is present (Active) 1 LED red external fault detected (F) 32 LEDs green input status
Marking	CE
Module format	Standard
Product weight	0.73 lb(US) (0.33 kg)

Environment

Standards	CSA C22.2 No 142 UL 508
Product certifications	FM Class 1 Division 2 CUL
Resistance to electrostatic discharge	4 kV contact conforming to IEC 801-2 8 kV on air conforming to IEC 801-2
Resistance to electromagnetic fields	9.14 V/yd (10 V/m) 80...2000 MHz conforming to IEC 801-3
Ambient air temperature for operation	32...140 °F (0...60 °C)
Ambient air temperature for storage	-40...185 °F (-40...85 °C)
Relative humidity	95 % without condensation
Operating altitude	<= 16404.2 ft (5000 m)

Ordering and shipping details

Category	18155 - QUANTUM I/O & POWER SUPPLIES
Discount Schedule	PC21
GTIN	00785901793151
Nbr. of units in pkg.	1
Package weight(Lbs)	0.9899999999999999
Returnability	Y
Country of origin	CN

Offer Sustainability

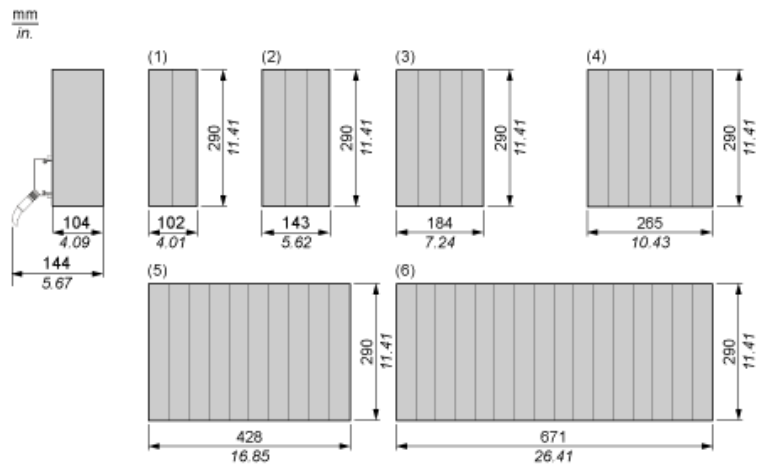
Sustainable offer status	Green Premium product
RoHS (date code: YYWW)	Compliant - since 0847 - Schneider Electric declaration of conformity Schneider Electric declaration of conformity
REACH	Reference not containing SVHC above the threshold Reference not containing SVHC above the threshold
Product environmental profile	Available
Product end of life instructions	Available

Contractual warranty

Warranty period	18 months
-----------------	-----------

Racks for Modules Mounting

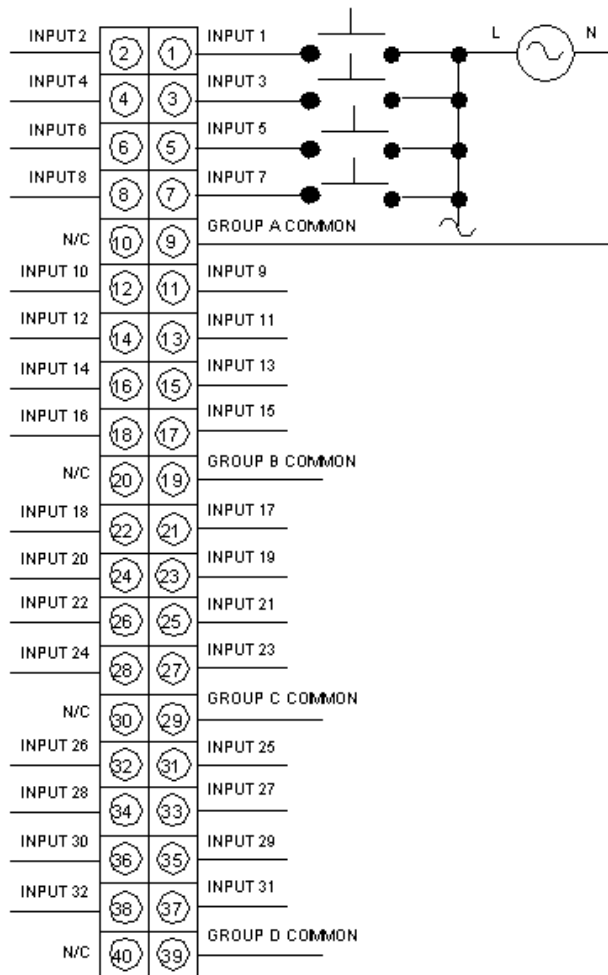
Dimensions of Modules and Racks



- (1) 2 slots
- (2) 3 slots
- (3) 4 slots
- (4) 6 slots
- (5) 10 slots
- (6) 16 slots

115 Vac Discrete Input Module

Wiring Diagram



N/C Not Connected

NOTE: All inputs in a group must be from the same phase of line input voltage.