

Product availability : Stock - Normally stocked in distribution facility

Price* : 1475.45 USD



Main

Range of product	Modicon Quantum automation platform
Product or component type	AC discrete output modules
Discrete output number	16

Complementary

Group of channels	4 groups of 4 channels
Supply frequency	47...63 Hz
Voltage drop	1.5 V
Discrete output voltage	83...253 V AC
Addressing requirement	1 output word
Absolute maximum output	300 Vrms for 10 s AC 400 Vrms 1 cycle AC
Maximum load current	16 A rms per module 2 mA rms 115 Vrms off state leakage per output 2.5 mA rms 230 Vrms off state leakage per output 3 A rms 170...253 V per output 4 A rms 85...132 V per output 4 A rms per group
Surge current	<= 10 A during 3 cycles per point <= 20 A during 2 cycles per point <= 25 A during 3 cycles per group <= 30 A during 1 cycle per point <= 30 A during 2 cycles per group <= 45 A during 1 cycle per group
DV/Dt	400 V/ms
Response time	<= 0.5 ms at state 0 to state 1 <= 0.5 ms at state 1 to state 0
Fault indication	Blown fuse Loss of field power
Protection type	Internal by RC filter

Internal output protection by 5 A fuse

Power dissipation	1.85 + (1.1 V x total module load current)
Marking	CE
Local signalling	1 LED green bus communication is present (Active) 1 LED red external fault detected (F) 16 LEDs green input status
Bus current requirement	350 mA
Module format	Standard
Product weight	0.99 lb(US) (0.45 kg)

Environment

Product certifications	CUL FM Class 1 Division 2
Standards	CSA C22.2 No 142 UL 508
Electromagnetic compatibility	Electrostatic discharge immunity test (test level:4 kV, contact discharge) conforming to IEC 801-2 Electrostatic discharge immunity test (test level:8 kV, air discharge) conforming to IEC 801-2 Susceptibility to electromagnetic fields (test level:10 V/m, 80...1000 MHz) conforming to IEC 801-3
Ambient air temperature for operation	32...140 °F (0...60 °C)
Ambient air temperature for storage	-40...185 °F (-40...85 °C)
Relative humidity	95 % without condensation
Operating altitude	<= 16404.2 ft (5000 m)

Ordering and shipping details

Category	18155 - QUANTUM I/O & POWER SUPPLIES
Discount Schedule	PC21
GTIN	00785901793809
Nbr. of units in pkg.	1
Package weight(Lbs)	1.4000000000000001
Returnability	Y
Country of origin	CN

Offer Sustainability

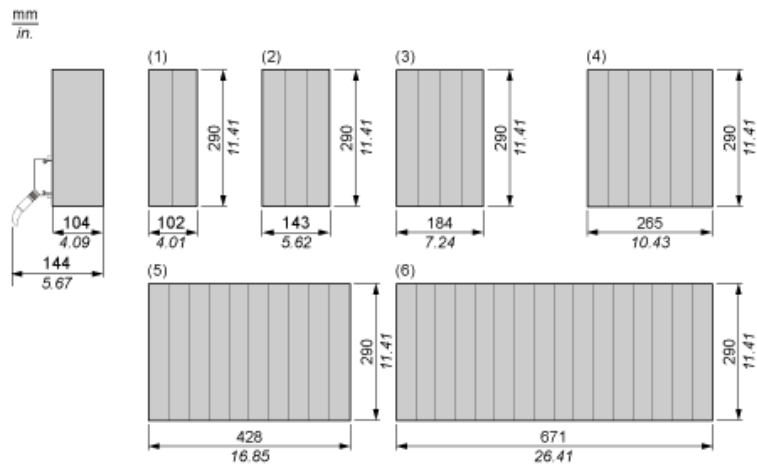
Sustainable offer status	Green Premium product
RoHS (date code: YYWW)	Compliant - since 1007 - Schneider Electric declaration of conformity Schneider Electric declaration of conformity
REACH	Reference not containing SVHC above the threshold Reference not containing SVHC above the threshold
Product environmental profile	Available
Product end of life instructions	Available

Contractual warranty

Warranty period	18 months
-----------------	-----------

Racks for Modules Mounting

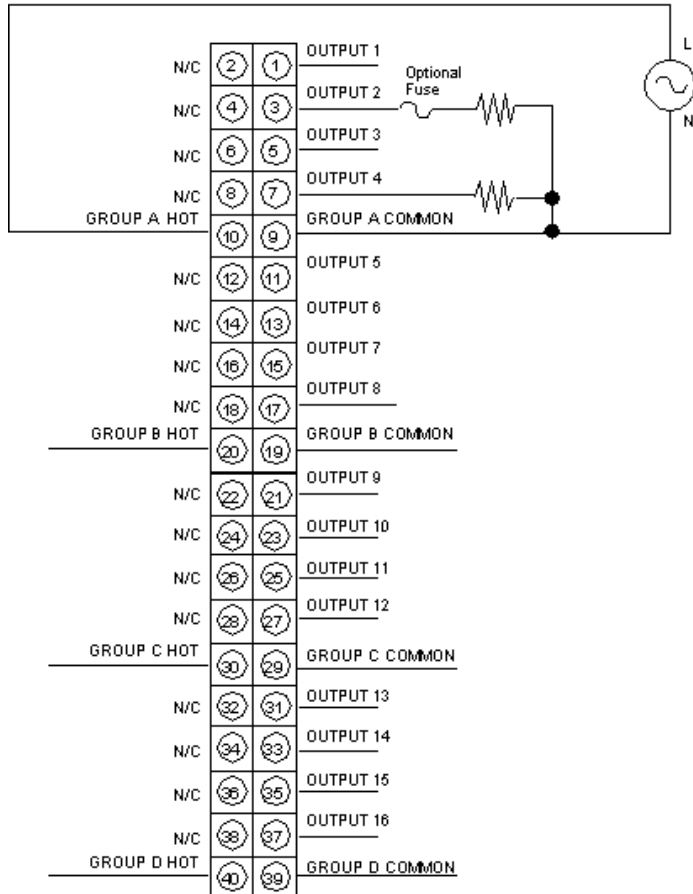
Dimensions of Modules and Racks



- (1) 2 slots
- (2) 3 slots
- (3) 4 slots
- (4) 6 slots
- (5) 10 slots
- (6) 16 slots

100...230 Vac Discrete Output Module

Wiring Diagram



N/C Not Connected