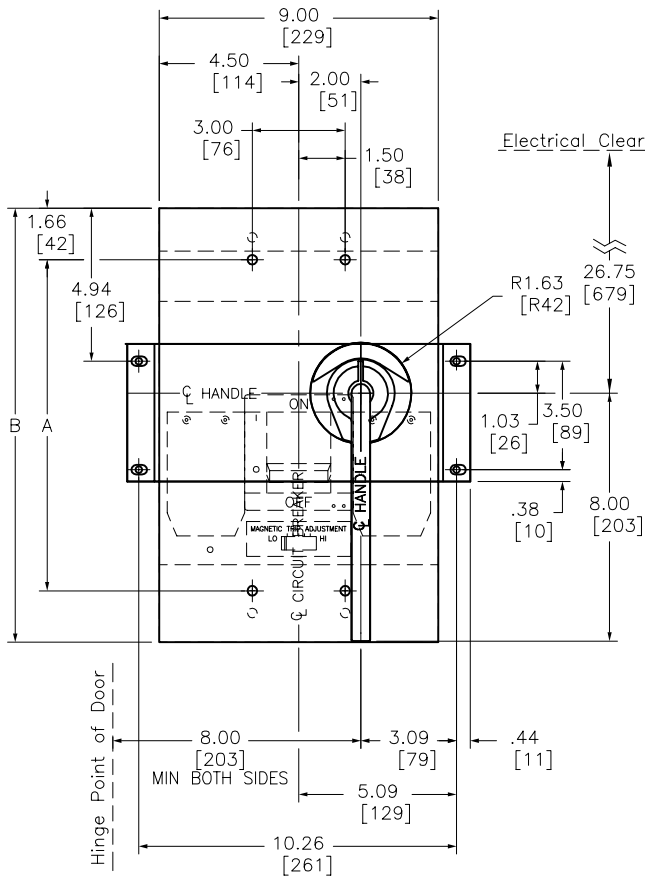
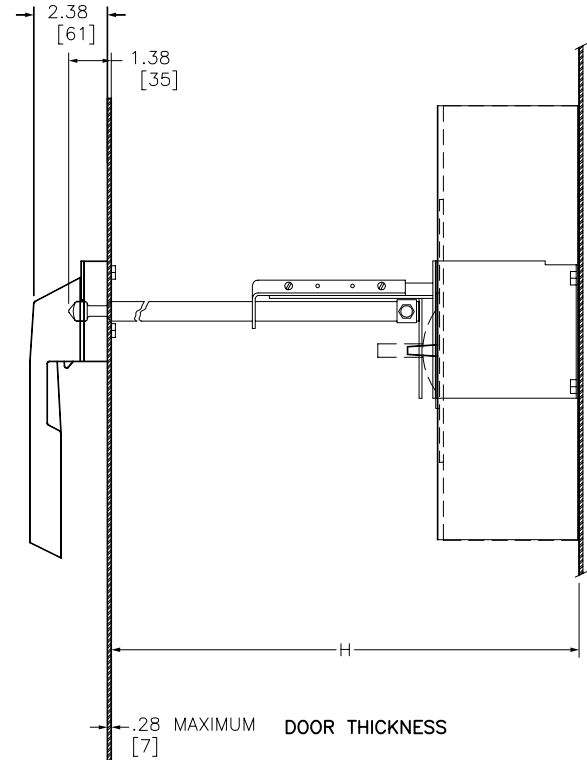
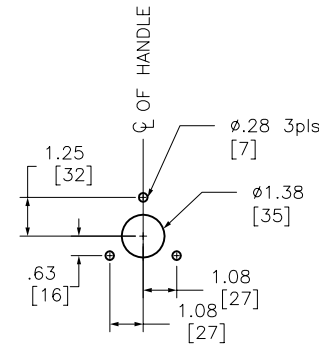


KIT	OPER. MECH.	HANDLE	SHAFT
LT1	LM1	LH8 (8")	LS8 (STD)
LT4	LM1	LH8 (8")	LS10 (LONG)

Minimum to wall or barrier to insure adequate wire bending space to lug surface when the maximum wire size is used with standard lugs. REF NEC 430-10



Electrical Clearance/Wire Bending Space



Catalog Number: **9421-LT1, LT4**
 Ratings: (TYPE LM1 MECHANISM) for use with TYPE MEL, MXL, MAL, & MHL CIRCUIT BREAKERS
 UL File/Guide: EG2922
 CSA File/Guide: -
 Meets Standards: -
 Weight: LM1-4.62 lbs/LT1-7.4 lbs/LT4-9.10 lbs
 Wire Size: -
 Terminal torque: -
 Mounting Hwd.: (4)-1/4-20 screws

Circuit Breaker Type	Dimensions	
	A	B
MAL, MHL	10.69 [272]	14.00 [356]
MEL, MXL	11.44 [283]	14.75 [375]

H=Standard shaft		H=Long shaft	
MIN	MAX	MIN	MAX
7.18 [182]	11.63 [295]	7.18 [182]	22.25 [565]

SHAFT LENGTH FORMULA - L=H-4.00
 MOUNTING DEPTH (H) - measured from the circuit breaker mounting surface to the outside of the enclosure door.

"THE SQUARE D COMPANY HAS PROPRIETARY RIGHTS TO THE INFORMATION CONTAINED HEREON. THIS INFORMATION REMAINS THE PROPERTY OF SQUARE D COMPANY AND MAY BE USED ONLY IN CONFORMANCE WITH INSTRUCTIONS ISSUED BY SQUARE D COMPANY. USER SHOULD VERIFY DRAWINGS ARE TO THE LATEST/CURRENT REVISION PRIOR TO INCORPORATING IN A DESIGN FILE."

DO NOT SCALE DRAWING
 UNLESS OTHERWISE SPECIFIED DIMENSIONS ARE IN INCHES

THIRD ANGLE PROJECTION
 TOLERANCES UNLESS OTHERWISE SPECIFIED 2 PLACE DECIMALS ± .01

LM1 MECH. FOR USE WITH TYPE MEL, MXL, MAL, & MHL CIRCUIT BREAKERS CLASS 9421 TYPE LT1 & LT4

SQUARE D COMPANY

DWG# 9421 LT_OUTLINE_001
 NO.