

**SQUARE D®**

INSTRUCTION SHEET

50006-309-01

**CLASS 9421 TYPE L  
DOOR MOUNTED OPERATING MECHANISM.**

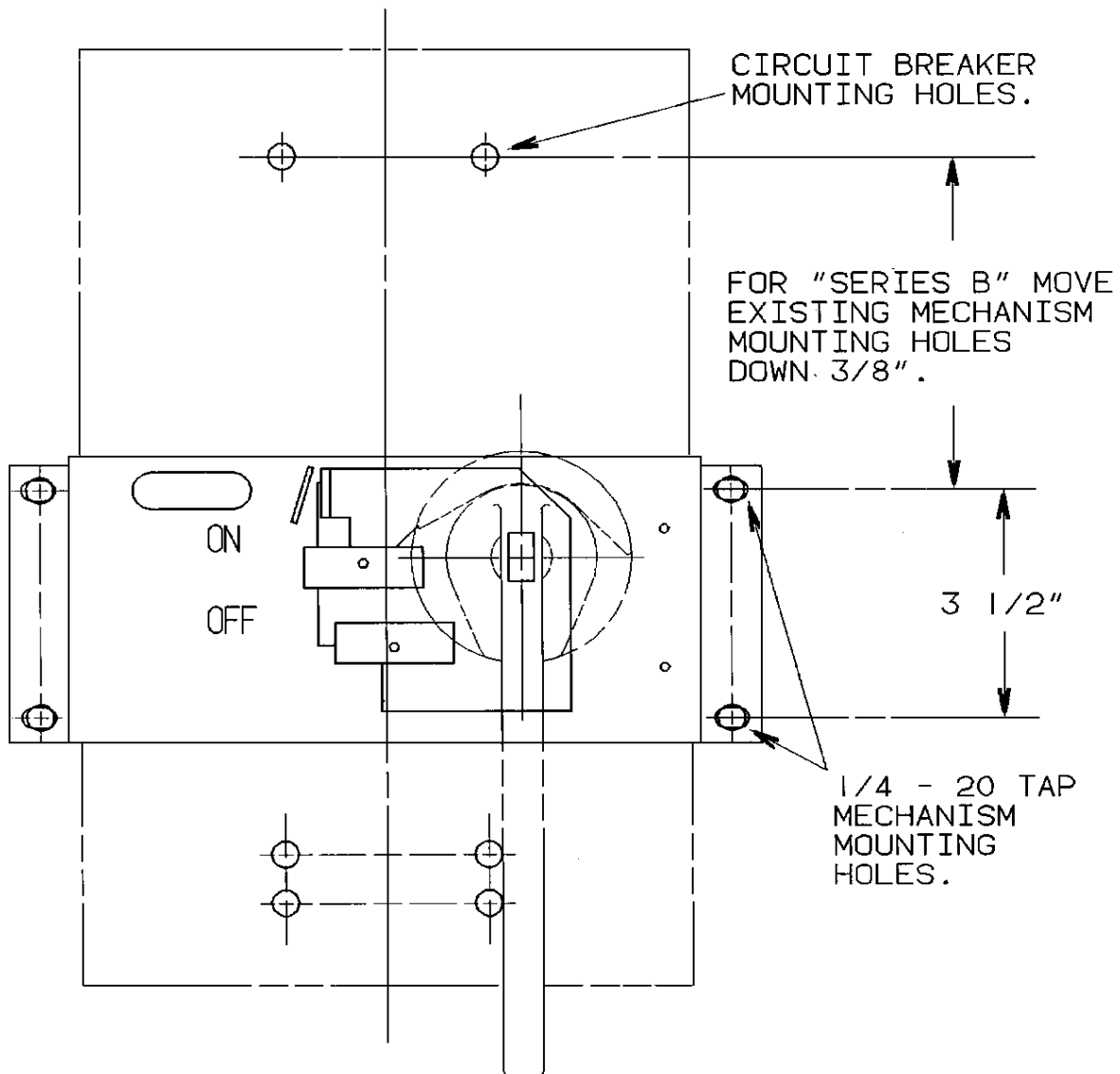
FOR USE WITH SQUARE D TYPE MAL  
MHL, MEL, MXL CIRCUIT BREAKERS

SUPPLEMENT TO  
50006-017-05

**A T T E N T I O N**

THIS "SERIES B" DEVICE REQUIRES FOUR (4) NEW MECHANISM MOUNTING HOLES IF REPLACING AN EXISTING DEVICE OR IF CONTROL PANEL ASSEMBLIES HAVE BEEN PRE-PUNCHED OR DRILLED FOR ASSEMBLY OF THE "SERIES A" DEVICE.

**"SERIES A" VS "SERIES B"  
DRILLING REQUIRMENTS.**



**SQUARE D COMPANY**

OCTOBER 1990