



[Catalog Home](#)

Product Datasheet

ANDERSON FARGO

V263 -- Terminal, Bronze Bolted



Terminal, Bronze Bolted, Adapter, Transformer Terminal to Multiple 0.321-0.813 cables

Product Specifications

Family Image



Terminals

Terminals



V Series

Adapter, Transformer Terminal
to Multiple Cables
Bronze Eyebolt Terminals

PDF Catalog Page

[Click HERE to view the web page.](#)

Eyebolt Cable Connections

2

Clamping Hardware Material

Silicon Bronze

Minimum Conductor

0.321

Maximum Conductor

0.813

Material Type

Non-Standard

UPC Code

09635933383

Standard Package

1

Standard Package Unit

Each

Min Order Qty

1

Weight / Ea.

2.058 lbs

Compressed Product Number



FIG. 1

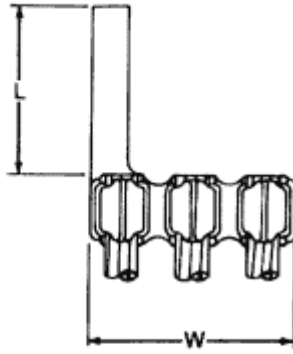
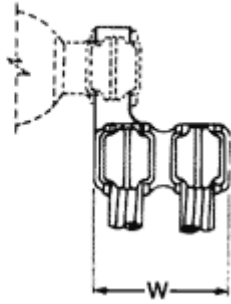


FIG 2

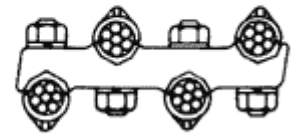
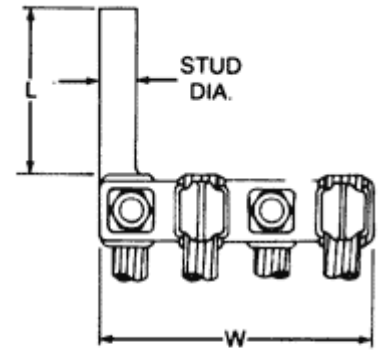


FIG. 3

[Catalog Home](#)



[Warranty Info](#) | [Trademarks](#) | [Terms of Use](#)

All contents Copyright © 2007 Hubbell Power Systems, Inc. All rights reserved.

NOTE: Because Hubbell has a policy of continuous product improvement, we reserve the right to change design and specifications without notice.