

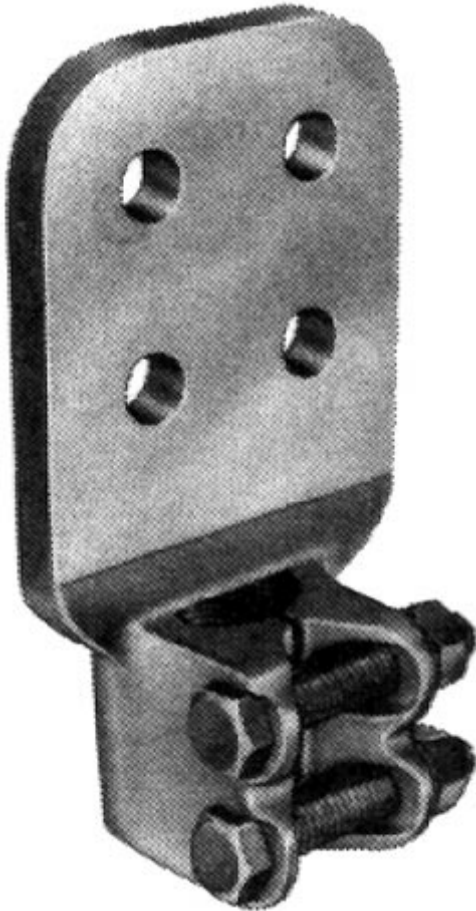


[Catalog Home](#)

Product Datasheet

ANDERSON FARGO

HDSF111D389012 -- Stud Connector, Bronze



Stud Connector, Bronze, 1-1/8-12 Stud to 3/8 x 4, 4-hole Flat, 90 degree

Product Specifications

Family Image



Stud Connectors

Stud Connectors



HDSF Series
Stud to Flat
Bronze Bolted Stud Connectors

PDF Catalog Page

[Click HERE to view the web page.](#)

Stud Diameter - Threads

1 1/8 in - 12

Pad Holes

4

Pad Width

4 in

Stud to Pad Angle

90 degree

Clamping Hardware Material

Stainless Steel

Dimension A

2.00 in (50.8 mm)

Dimension B

4.25 in (108.0 mm)

Dimension J

0.50 in (12.7 mm)

Dimension K

1.13 in (28.6 mm)

Dimension L

7.13 in (181.0 mm)

Dimension T

0.38 in (9.53 mm)

Material Type

Non-Standard

UPC Code

09635931576

Standard Package

1

Standard Package Unit

Each

Min Order Qty

1

Weight / Ea.

4.998 lbs

Compressed Product Number

HDSF111D389012

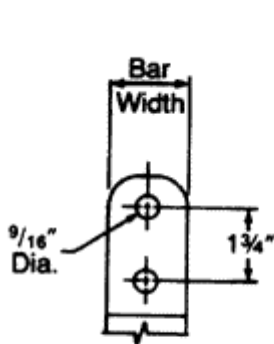


Fig. 1

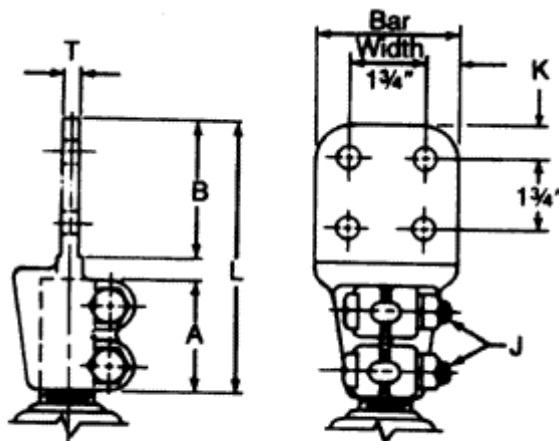
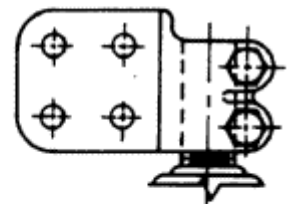


Fig. 2



HDSF-90



[Warranty Info](#) | [Trademarks](#) | [Terms of Use](#)

All contents Copyright © 2007 Hubbell Power Systems, Inc. All rights reserved.

NOTE: Because Hubbell has a policy of continuous product improvement, we reserve the right to change design and specifications without notice.