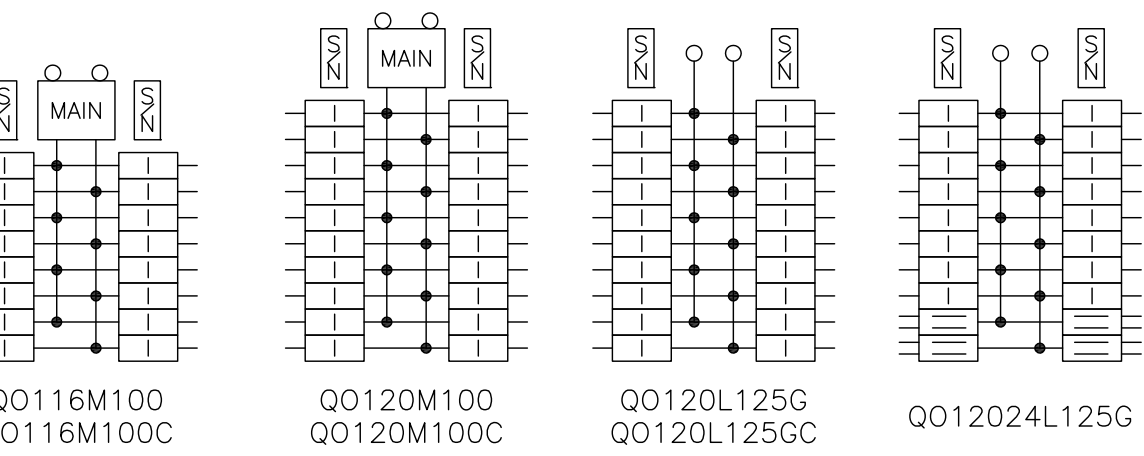
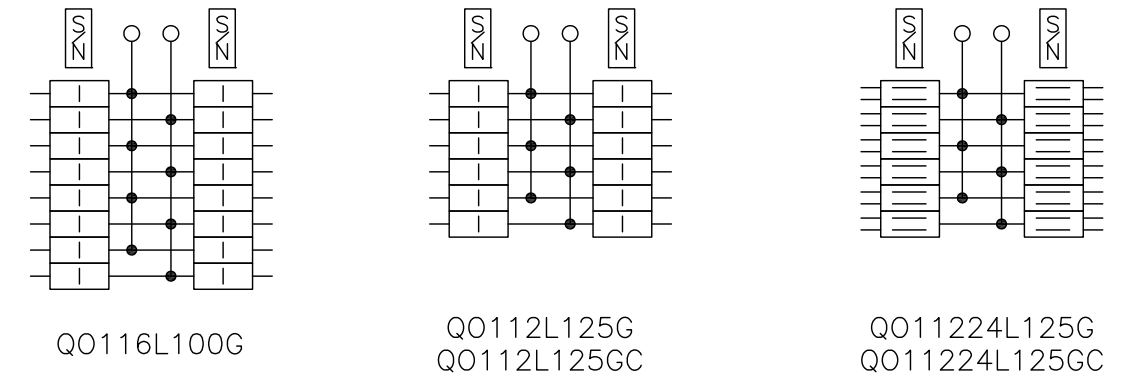
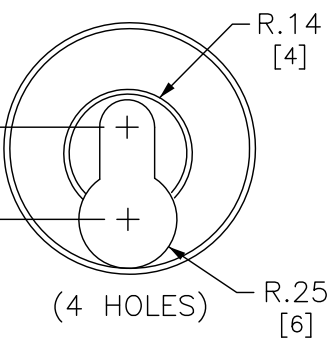
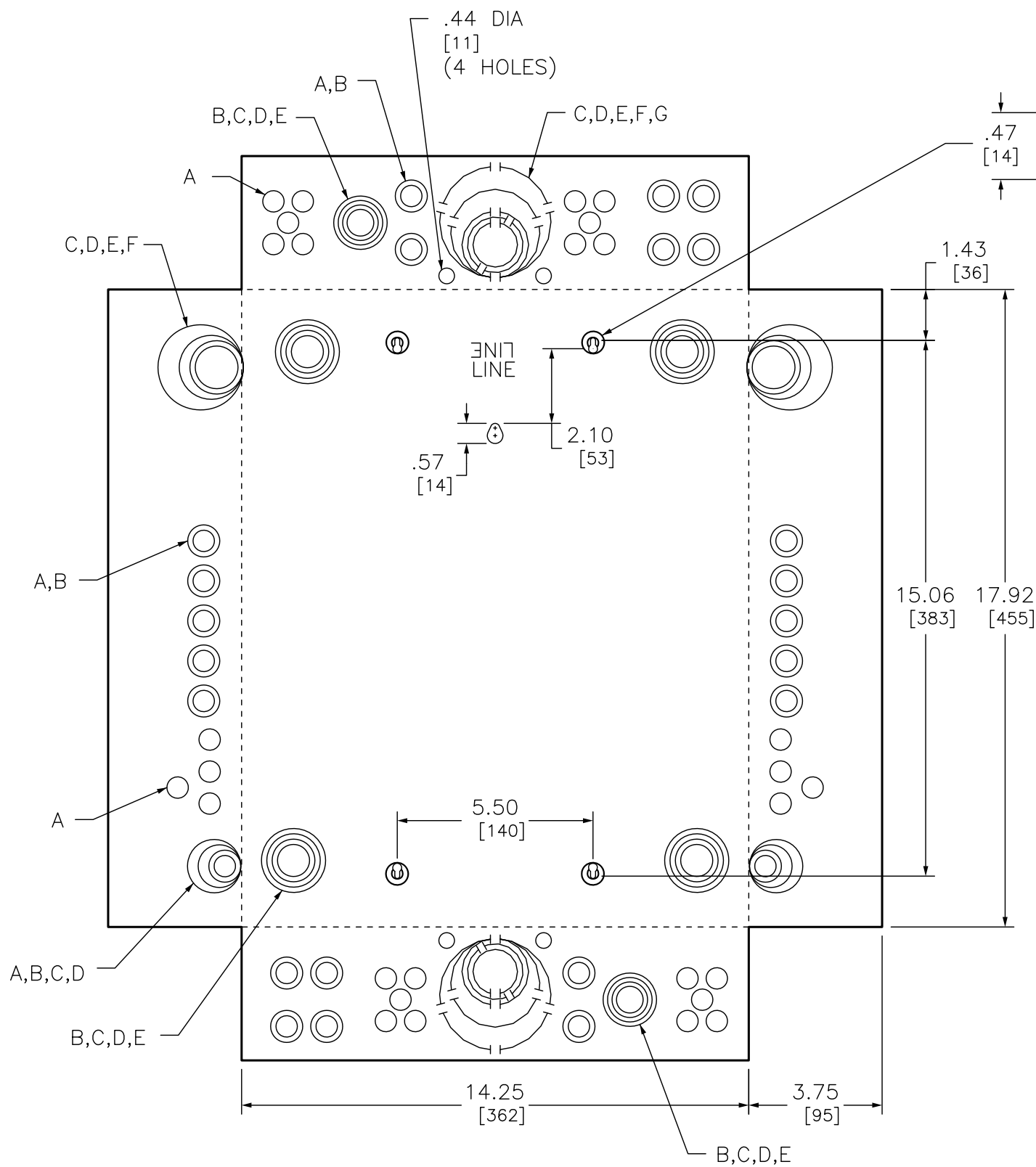


KNOCKOUTS							
SYMBOL	A	B	C	D	E	F	G
IN	.50	.75	1.00	1.25	1.50	2.00	2.50
MM	13	19	25	32	38	51	64



DUAL DIMENSIONS: INCHES  
MILLIMETERS

CATALOG NUMBER	MAXIMUM SYSTEM VOLTAGE	MAINS AMPERE RATING	SPACES	MAXIMUM NUMBER OF SINGLE POLE CIRCUITS	MAIN WIRE SIZE AWG AL/CU	
QO11224L125G	120/240VAC 1Ø 3W	125	12	24	#6-2/0	
QO11224L125GC		125	12	24		
QO112L125G		125	12	12		
QO112L125GC		125	12	12		
QO116M100		100	16	16	#6-1	
QO116M100C		100	16	16		
QO120M100		100	20	20		
QO120M100C		100	20	20		
QO116L100G		100	16	20	#6-1    #6-2/0	
QO12024L125G		125	20	24		
QO120L125G		125	20	20		
QO120L125GC		125	20	20		

NOTES:  
 FINISH - GRAY BAKED ENAMEL ELECTRODEPOSITED OVER CLEANED PHOSPHATIZED STEEL.  
 UL LISTED - FILE E-6294  
 NEUTRALS - INSULATED GROUNDABLE.  
 LOAD CENTERS WITH "G" IN CATALOG NUMBER INCLUDE A FIELD INSTALLABLE EQUIPMENT GROUND BAR KIT.

QO LOAD CENTERS  
 GENERAL PURPOSE NEMA TYPE 1 ENCLOSURE  
 INDOOR



DWG# 3011  
 NO.