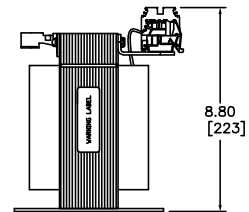
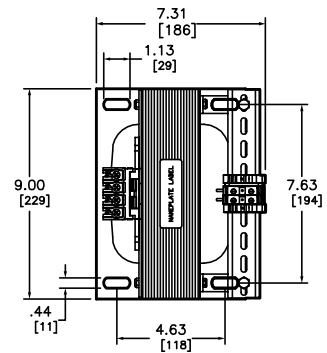


J:\wip\209\control_online\5876.DWG 07/22/2008 12:16:01 PM

CATALOG NUMBER	PRIMARY VOLTAGE	SECONDARY VOLTAGE	50/60 Hz 1 PHASE		APPROXIMATE WEIGHT (Lbs/Kg)
			UL/cUL/CSA/NOM RATINGS (VA)	CE RATINGS (VA)	
9070T3000D1	220/440 230/460 240/480	110 115 120	3000	2000	59.8 / 27.1
9070T3000D5	550 575 600	110 115 120	3000	2000	59.7 / 27.0



FILES/STANDARDS:
 UL/cUL FILE: E61239
 CSA FILE: LR37055
 CE: TUV CERTIFIED TO 61558
 NOM 117

3000VA—CONTROL POWER TRANSFORMER
 9070 TYPE T
 CATALOG NUMBERS: FROM CHART



DWG# 5876
 NO.