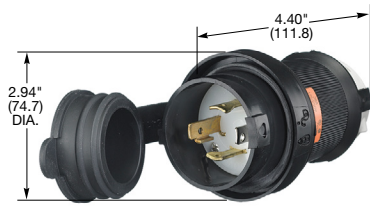


**30 Amp, 125/250 and 3Ø 250 Volts AC**  
**3 Pole, 3 Wire, Non-Grounding and 3 Pole, 4 Wire, Grounding**



|                                 |   |  |
|---------------------------------|---|--|
| 30A 125/250V AC<br>NEMA L10-30P | 30A 125/250V AC<br>NEMA L14-30P<br>2 (2) HP | 30A 3Ø 250V AC<br>NEMA L15-30P<br>3 HP |
|---------------------------------|---|--|



**HBL2711SW**



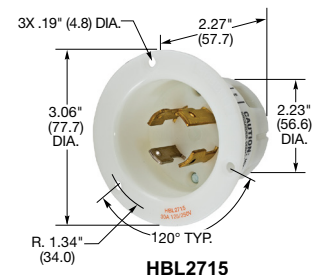
**HBL2711S**



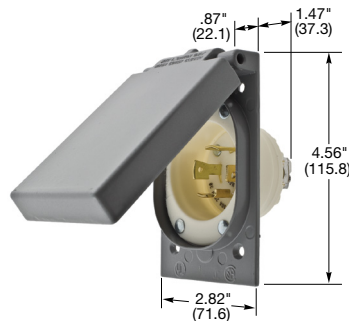
**HBL2711**



**HBL2715SW**



**HBL2715**



**HBL2715M3**



**HBLMITL** - For use with Watertight Safety-Shroud receptacles and reverse service inlet, see page B-41.

## Plugs

### Watertight Safety-Shroud®

IP66 SUITABILITY    UL Type 4x, 12

| Description                                | Cord Dia.              | Catalog Number |                  |                  |
|--|------------------------|----------------|------------------|------------------|
| Black Valox® housing, white Valox® clamps. | .350"-1.150"<br>(9-29) | -              | <b>HBL2711SW</b> | <b>HBL2721SW</b> |

### Safety-Shroud®

IP20 SUITABILITY

| Description   | Cord Dia.              | Catalog Number |                 |                 |
|---|------------------------|----------------|-----------------|-----------------|
| Black and white nylon body, white Valox® shroud. Can be used with the Insulgrip Connector Bodies. | .350"-1.150"<br>(9-29) | -              | <b>HBL2711S</b> | <b>HBL2721S</b> |

Note: See page B-40 for accessories.

### Insulgrip®

IP20 SUITABILITY

| Description                                | Cord Dia.                 | Catalog Number |                    |                  |
|--|---------------------------|----------------|--------------------|------------------|
| Black and white nylon.                     | .350"-1.150"<br>(9-29)    | -              | <b>HBL2711</b>     | <b>HBL2721</b>   |
| Black and white nylon, spring termination. | .350"-1.150"<br>(9-29)    | -              | <b>HBL2711ST</b>   | <b>HBL2721ST</b> |
| Black and white nylon, (Not shown).        | .300"-.950"<br>(7.6-24.1) | <b>HBL2661</b> | -                  | -                |
| Corrosion resistant, yellow nylon.         | .350"-1.150"<br>(9-29)    | -              | <b>HBL27CM11</b>   | <b>HBL27CM21</b> |
| All black nylon.                           | .350"-1.150"<br>(9-29)    | -              | <b>HBL2711BK</b>   | -                |
| All black nylon, spring termination        | .350"-1.150"<br>(9-29)    | -              | <b>HBL2711STBK</b> | -                |

Note: See page B-52 for accessories.

## Flanged Inlets

### Watertight Safety-Shroud®

IP66 SUITABILITY    UL Type 4x, 12

| Description  | Catalog Number |                   |                  |
|--|----------------|-------------------|------------------|
| Gray Valox® housing and flange.  | -              | <b>HBL2715SW</b>  | <b>HBL2725SW</b> |
| Reverse service, gray Valox® housing and flange (use with HBL2713SR), (Not shown). | -              | <b>HBL2715SWR</b> | -                |

Note: See page B-54 for accessories.

### Insulgrip®

IP20 SUITABILITY

| Description   | Catalog Number |                  |                  |
|---|----------------|------------------|------------------|
| Nylon casing, back wired.   | -              | <b>HBL2715</b>   | <b>HBL2725</b>   |
| Nylon casing, spring termination.   | -              | <b>HBL2715ST</b> | <b>HBL2725ST</b> |
| Nylon casing, back wired, (Not shown).  | <b>HBL2665</b> | -                | -                |
| Nylon casing, weather protective, die cast aluminum, back wired, self closing lift cover. | -              | <b>HBL2715M3</b> | -                |

Note: See page B-52 for accessories.

See pages B-69 and B-70 for technical information on Twist-Lock and Watertight Safety-Shroud devices.

Dimensions in Inches (mm)

Valox® is a trademark of SABIC Innovative Plastics, acquired from General Electric Company.