

# Automation platform **Modicon TSX Micro** and PL7 software

Catalogue  
January

# 04





## 1 - Modicon TSX Micro PLC

*Selection guide* ..... page 1/2

- TSX 37-05/08/10/21/22 PLCs ..... page 1/4

## 2- Discrete I/O

*Selection guide I/O modules* ..... page 2/2

- 2.1 - Discrete I/O modules ..... page 2/6
- 2.1 - Safety module ..... page 2/18
- 2.1 - Extension module for Nano PLCs ..... page 2/24

*Selection guide Telefast® 2 pre-wired system* ..... page 2/26

- 2.2 - Telefast 2 pre-wired system ..... page 2/32
- 2.2 - Tego installation system ..... page 2/44

*Selection guide Phaseo power supplies for DC control circuits* ... page 2/50

- 2.3 - Phaseo power supplies ..... page 2/52

## 3 - Application-specific modules

*Selection guide analogue I/O* ..... page 3/2

- 3.1 - Integrated channels and analogue I/O modules ..... page 3/4
- 3.1 - Process control of semi-continuous processes ..... page 3/10

*Selection guide counter/positioning modules* ..... page 3/14

- 3.2 - Integrated channels and counter/positioning modules ..... page 3/16
- 3.2 - Absolute encoder positioning module ..... page 3/22

## 4 - Communication

*Selection guide* ..... page 4/2

- 4.1 - Ethernet TCP/IP network ..... page 4/6
- 4.2 - CANopen machine bus ..... page 4/22
- 4.2 - AS-Interface sensors/actuators bus ..... page 4/26
- 4.3 - Modbus Plus network ..... page 4/34
- 4.3 - Modbus bus ..... page 4/38
- 4.4 - Fipway network ..... page 4/46
- 4.4 - Fipio bus Agent function ..... page 4/50
- 4.4 - Uni-Telway bus ..... page 4/60
- 4.4 - Asynchronous serial links ..... page 4/64

## 5 - PL7 software and Magelis terminals

*Selection guide PL7 programming software* ..... page 5/2

- PL7 Micro/Junior/Pro programming software ..... page 5/2
- PL7 SMC, PL7 DIF, SDKC, PL7 FUZ optional software ..... page 5/20
- FTX 117 Adjust terminal ..... page 5/28

*Selection guide Magelis terminals* ..... page 5/30

## 6 - Services

- Documentation and power consumption of TSX Micro PLC modules ... page 6/2
- Standards, certifications and community regulations ..... page 6/6
- Schneider Electric worldwide ..... page 6/10
- Product references index ..... page 6/16



# 1 - Modicon TSX Micro automation platform

---

## 1 - Modicon TSX Micro PLCs

<i>Selection guide PLCs</i> .....	<i>page 1/2</i>
■ TSX 37 05 PLCs .....	<i>page 1/4</i>
■ TSX 37 08 PLCs .....	<i>page 1/5</i>
■ TSX 37 10 PLCs .....	<i>page 1/6</i>
■ TSX 37 21/22 PLCs .....	<i>page 1/7</i>
■ Functions, memory structure .....	<i>page 1/8</i>
■ Characteristics .....	<i>page 1/13</i>
■ References .....	<i>page 1/15</i>
■ Dimensions, mounting .....	<i>page 1/17</i>



# Modicon TSX Micro automation platform

## TSX 37 05/08/10/21/22 PLCs

1

**Applications** For low to medium complex control systems



<b>No. of slots</b>	Base	2 (1 equipped with discrete I/O module)	3 (2 equipped with discrete I/O module)	2 (1 equipped with discrete I/O)
	Extension	–	–	2
<b>No. of discrete I/O, connection</b>	Per HE10 connector (1)	92	120	–
	Per terminal block (1)	60 (28 I/O)	88 (56 I/O)	124 (28 I/O)
<b>Remote I/O (except bus)</b>		–	–	96 inputs/outputs via 1 half-format
<b>App-spec. inputs/outputs</b>	Integrated analogue	–		
	Analogue	2 half-format modules (4, 8 I - 2, 4 O ou 4 I/2 O)		
	Integrated counting	2 x 500 Hz channels using discrete inputs		
	Counting	2 half-format modules (1, 2 x 40 kHz channels, 2 x 500 kHz channels, 1 x 1 MHz SSI channel)		
Communication	1 x integrated RS 485 channel (TER port)			
<b>Field bus connections</b>	AS-Interface master	–	–	1 AS-Interface bus half-format
	Fipio agent function	–	–	–
	CANopen master	–	–	–
<b>Bus and serial link connections</b>	Integrated Modbus (RTU)	1 slave port (TER port)	–	1 master/slave port (TER port)
	Integrated Uni-Telway	1 voie maître/esclave (prise TER)	–	–
	Modbus/Uni-Telway/Fipio	–	–	–
	Integrated character mode	1 TER port	–	–
<b>Network connections</b>	Ethernet TCP/IP	–	–	1 Ethernet TCP/IP external module
	Network cards	–	–	–
<b>Process control</b>		Control loops, 3 integrated functions : PID, PWM (pulse width modulation) et SERVO (discrete valve)		
<b>Real-time clock</b>		–	–	Integrated (second, minute, hour,
<b>Memory capacity</b>	Integrated RAM	11 Kwords	–	14 Kwords
	Extension (2)	–	–	–
	Data storage	–	–	–
<b>Power supply</b>		~ 100/240 V (integrated) --- 24 V sensor power supply)		
<b>Type of PLCs</b>		TSX 37 05 028DR1	TSX 37 08 056DR1	TSX 37 10 028●R1
<b>Pages</b>		1/15		

(1) The value in bracket and in italics corresponds to number of I/O providing with the basic PLC configuration.  
 (2) For program and constants zones.

For control systems which require a significant amount of processing (program and data) and/or communication

For control systems which require low-cost analogue I/O and fast counting functions

For control systems which require low-cost analogue I/O and fast counting functions



module)
184 (28 ou 64 I/O depending on model)
-

3 (non-equipped with discrete I/O module)
2
248
160

module connecting to 4 Nano components (PLC base or discrete/analogue extension, 200 m max.)

	8 inputs 8 bits, 1 output 8 bits
4 half-format modules (4, 8 I - 2, 4 O ou 4 I/2 O)	2 x 500 Hz channels using discrete inputs and 2 integrated 10 kHz channels
4 half-format modules (1, 2 x 40 kHz channels, 2 x 500 kHz channels, 1 x 1MHz SSI channel)	1 x integrated RS 485 channel (AUX port)

module (31 slaves)	1 PCMCIA card in slot for a communication card
	1 PCMCIA card in slot for a communication card
	1 master/slave port (AUX port)
	1 master/slave port (AUX port)
	1 PCMCIA card in slot for a communication card: serial link, Uni-Telway bus, Modbus bus or Fipio bus (agent)
	1 AUX port

or Modem (PPP) RS 232C serial link	1 PCMCIA card in slot for a communication card: Fipway network or Modbus Plus network
------------------------------------	---

control) with MMI on CCX 17 operator panel (control and adjustment of 9 loops maximum)

day, month and year)

	20 Kwords
	128 Kwords
	128 Kwords

24 V non-isolated      ~ 100/240 V (integrated 24 V sensor power supply)      24 V non-isolated supply

TSX 37 10 128D●1

TSX 37 10 1●●DTK1

TSX 37 21 101

TSX 37 21 001

TSX 37 22 001

TSX 37 22 101

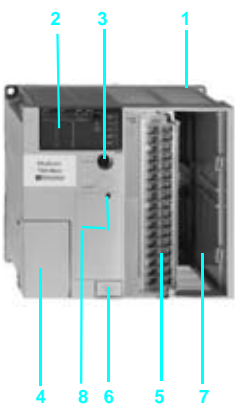
### Presentation

The TSX 37 05 PLC comprises a rack which integrates ~ 100/240 V power supply, a processor including a 11 Kword memory (program, data and constants), 1 Flash EPROM backup memory, a TSX DMZ 28DR discrete I/O module (16 inputs and 12 relay outputs) and an available slot.

The available slot can accept:

- 1 standard format discrete I/O module of any type.
- 2 half format discrete I/O, safety, analog I/O or counter modules.

### Description



The TSX 37 05 PLC comprises:

- 1 2-slot rack.
- 2 Centralized display block.
- 3 Terminal port (TER) (Uni-Telway master/slave, Modbus RTU slave protocol or characters string).
- 4 Cover for accessing the power supply terminals.
- 5 Discrete module with 16 inputs and 12 outputs, placed in the first slot (positions 1 and 2). Including screw terminal block.
- 6 Cover for accessing optional battery.
- 7 Available slot.
- 8 Reset button.

### Selection

Selection of modules to be inserted in addition to the 16-input/12-output module present at rack no. 1

Type of module to be inserted		Max number of modules		Format		Connection	
		1	2	Standard	Half	Connector	Term.blk
Discrete Inputs/Outputs	8 inputs						
	12 inputs						
	32 inputs						
	4 outputs						
	8 outputs						
	32 outputs						
	16 inputs/outputs						
	28 inputs/outputs						
	64 inputs/outputs						
Preventa safety module							
Analogue I/O	4 or 8 inputs						
	2 or 4 outputs						
	4 inputs and 2 outputs						
Counter/positioning channels	1 incremental code channel						
	2 incremental code channels						
	1 absolute encoder channel						

Possible insertion



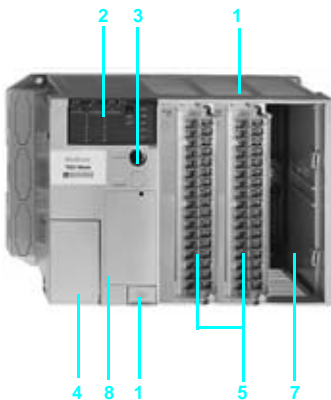
### Presentation

The TSX 37 08 PLC comprises a rack which integrates ~ 100/240 V power supply, a processor including a 11 Kword memory (program, data and constants), 1 Flash EPROM backup memory, 2 TSX DMZ 28DR discrete I/O modules (16 inputs and 12 relay outputs) and an available slot.

The available slot can accept:

- 1 standard format discrete I/O module of any type.
- 2 half format discrete I/O, safety, analog I/O or counter modules.

### Description



The TSX 37 08 PLC comprises:

- 1 3-slot rack.
- 2 Centralized display block.
- 3 Terminal port (TER) (Uni-Telway master/slave, Modbus RTU slave protocol or characters string).
- 4 Cover for accessing the power supply terminals.
- 5 Two discrete modules with 16 inputs and 12 outputs, placed in the first and second slot (positions 1 to 4). Including screw terminal block.
- 6 Cover for accessing optional battery.
- 7 Available slot.
- 8 Reset button.

### Selection

Selection of modules to be inserted in addition to the 16-input/12-output module present at rack no. 1

Type of module to be inserted		Max number of modules		Format		Connection	
		1	2	Standard	Half	Connector	Term.blk
Discrete Inputs/Outputs	8 inputs						
	12 inputs						
	32 inputs						
	4 outputs						
	8 outputs						
	32 outputs						
	16 inputs/outputs						
	28 inputs/outputs						
	64 inputs/outputs						
Preventa safety module							
Analog I/O	4 or 8 inputs						
	2 or 4 outputs						
	4 inputs and 2 outputs						
Counter/positioning channels	1 incremental code channel						
	2 incremental code channels						
	1 absolute encoder channel						

Possible insertion

1

### Presentation

Compact and modular TSX 37 10 PLCs differ in their supply voltage and the type of discrete I/O module fitted in the first slot.

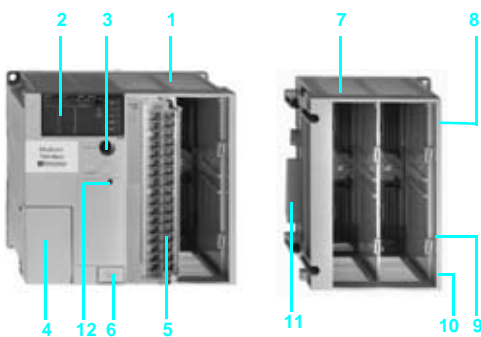
Each TSX 37 10 configuration comprises a rack which integrates a power supply ( $\approx$  24 V or  $\sim$  100/240 V), a processor including a 14 Kword RAM memory (program, data and constants), a Flash EPROM backup memory, a real-time clock, a discrete I/O module (28 or 64 I/O) and an available slot. A TSX RKZ 02 mini extension rack enables the number of slots to be increased by 2 (4 positions).

Each available slot can accept:

- 1 standard format discrete I/O module of any type.
- 2 half format discrete I/O, safety, analog I/O or counter modules.

Also, TSX 37 10 PLCs can connect to the Ethernet network TCP/IP or to a Modem via the TSX ETZ 410/510 external stand-alone module.

### Description



TSX 37 10 PLCs and the TSX RKZ 02 mini extension rack comprise:

- 1 2-slot base rack.
- 2 Centralized display block.
- 3 Terminal port (TER) (Uni-Telway, Modbus RTU master/slave protocol or characters string).
- 4 Cover for accessing the power supply terminals.
- 5 28 or 64 discrete I/O module, placed in the first slot (positions 1 and 2).
- 6 Cover for accessing optional battery.
- 7 Mini extension rack with 2 available slots -(positions 5 to 8).
- 8 LED showing presence of  $\approx$  24 V.
- 9 Power supply terminals protected by removable cover, to connect an auxiliary  $\approx$  24 V power supply if PLCs are supplied with  $\sim$  100/240 V.
- 10 Earth terminal.
- 11 Connectors to the base PLC.
- 12 Reset button.

### Selection

#### TSX 37 10 base PLC selection

Power supply	I/O module integrated in 1 <sup>st</sup> slot				Connection		Reference
	Number of inputs		Number of outputs		HE 10 Connector	Screw terminal block	
	$\approx$ 24 V	$\sim$ 110/120 V	Solid state $\approx$ 24 V	Relay			
$\approx$ 24 V	16		12				TSX 37 10 128DT1
	16		12				TSX 37 10 128DTK1
		16		12			TSX 37 10 128DR1
$\sim$ 110/240V	32		32				TSX 37 10 164DTK1
		16		12			TSX 37 10 028AR1
	16			12			TSX 37 10 028DR1

#### Selection of modules to be inserted (3 slots available, that is a maximum of 6 positions)

Type of module to be inserted		Maximum number of modules (1)				Format		Connection	
		1	2	4	6	Stand.	Half	Connect.	Term.blk
Discrete Inputs/Outputs	8 inputs								
	12 inputs								
	32 inputs			(2)					
	4 outputs								
	8 outputs								
	32 outputs			(2)					
	16 inputs/outputs								
Preventa safety module	28 inputs/outputs			(2)					
	64 inputs/outputs		(2)						
AS-Interface bus or I/O extension		(3)							
Analog I/O	4 or 8 inputs								
	2 or 4 outputs								
Counter/positioning channels	1 or 2 incremental encoder channels								
	1 absolute encoder channel								
Communication	Ethernet TCP/IP or external Modem					External module			

█ Possible selection or insertion

(1) With TSX RKZ 02 mini extension rack.

(2) This includes a standard format module to be inserted in the 1<sup>st</sup> slot of the PLC.

(3) The remote discrete I/O extension modules and AS-Interface bus modules are installed in position 4 which means that their use is mutually exclusive.

### Presentation

Modular TSX 37 21/22 PLCs differ in their supply voltage and/or the possibility of fast counting and analogue functions integrated on the base.

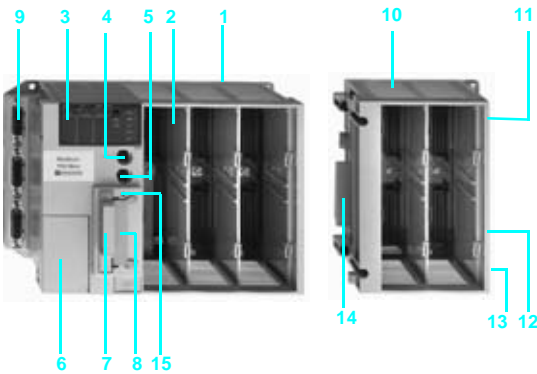
Each PLC comprises: a 3-slot rack which integrates a power supply ( $\pm$  24 V or  $\sim$  100/240 V), a processor including a 20 Kword RAM memory (program, data and constants), 1 Flash EPROM backup memory, 2 slots for a PCMCIA card (1 communication card and 1 memory extension card of 128 Kwords maximum) and a real-time clock. A TSX RKZ 02 mini extension rack enables the number of slots to be increased by 2 (4 positions).

Each available slot can accept:

- 1 standard format discrete I/O module.
- 2 half format discrete I/O, safety, analog I/O or counter modules.

Also, TSX 37 21/22 PLCs can connect to the Ethernet network TCP/IP or to a modem via the TSX ETZ 410/510 external stand-alone module.

### Description



TSX 37 21/22 PLCs and the TSX RKZ 02 mini extension rack comprise:

- 1 3-slot base rack (positions 1 to 6).
- 2 Slot reserved for a standard format module.
- 3 Centralized display block.
- 4 Terminal port (TER) (Uni-Telway, Modbus RTU master/slave protocol or characters string).
- 5 Man-machine interface port labeled AUX.
- 6 Cover for accessing the power supply terminals.
- 7 Slot for a PCMCIA memory extension card.
- 8 Slot for a PCMCIA communication card.
- 9 On TSX 37 22, SUB-D connectors type for integrated analogue and counter functions.
- 10 Mini extension rack with 2 available slots (positions 7 to 10).
- 11 LED showing voltage presence of  $\pm$  24 V.
- 12 Power supply terminals protected by removable cover, to connect an auxiliary  $\pm$  24 V power supply if PLCs are supplied with  $\sim$  100/240 V.
- 13 Earth terminal.
- 14 Connectors to the base PLC.
- 15 Reset button.

### Selection

Selection of modules to be inserted (5 slots available, that is a maximum of 9 positions)

Type of module to be inserted	Maximum number of modules (1)					Format Stand.	Half	Connection Connect.	Term.blk
	1	3	4	5	9				
Discrete Inputs/ Outputs	8 inputs								
	12 inputs								
	32 inputs				(2)				
	4 outputs					(2)			
	8 outputs					(2)			
	32 outputs				(2)				
	16 inputs/outputs					(2)			
	28 inputs/outputs				(2)				
64 inputs/outputs		(2)							
Preventa safety module									
AS-Interface bus or I/O extension	(3)								
Analog I/O	4 or 8 inputs								
	2 or 4 outputs			(4)					
	2 inputs and 4 outputs			(4)					
Counting/ positioning	1 or 2 incremental encoder channels								
	1 absolute encoder channel								
Communication (PCMCIA card on processor)	Serial link								
	CANopen bus								
	Modbus bus								
	Fipio Agent bus								
	Uni-Telway bus								
	Modbus Plus network								
	Fipway network								
Communication	Ethernet TCP/IP or external Modem						External module		

Possible insertion

- (1) With TSX RKZ 02 mini extension rack.
- (2) Comprises a standard format module to be placed in 1<sup>st</sup> slot of the PLC.
- (3) The remote discrete I/O extension modules and AS-interface bus modules are installed in position 4 which means that their use is mutually exclusive.
- (4) With a maximum of 2 (TSX AMZ 600/ASZ 200) modules in the base.

### Functions

#### Discrete inputs/outputs

The range of in-rack discrete I/O modules offers several possibilities for meeting requirements:

- Cost-effective connection where a  $\pm 24$  V solution is required (mixed I/O modules with HE type 10 connectors for direct connection to pre-actuators in the device using cables with flying leads or direct connection to the TELEFAST2 pre-wired system).
- Connection to the screw terminal block on the front panel of mixed I/O modules.

A set of half format modules enable the PLC configuration to be adapted as closely as possible to the user's requirements in terms of number, range of I/O and type of connection.

*For further details, see pages 2/6 to 2/17.*

The TSX DPZ 10D2A Preventa type safety relay module provides a monitoring function for the emergency stop pushbuttons or limit switches, and is adapted to conform to the safety requirements stipulated in EN 954-1.

*For further details, see pages 2/18 to 2/23.*

#### Remote discrete I/O extension module

TSX 37 10/21/22 Micro PLCs offer two different possibilities for extending the I/O:

- Either with the TSX STZ 10 remote discrete I/O extension module. The discrete I/O of 4 Nano PLCs can be used at a distance of up to 200m (one of which can be a Nano extension PLC).

These Nano PLCs can be used as remote discrete I/O or local slave PLCs.

*For further details, see pages 2/24 et 2/25.*

- The AS-Interface sensor/actuator bus. TSX Micro PLCs are connected to the AS-Interface bus via an AS-Interface master module. In this case, the PLC becomes the master station on the bus and manages a maximum of 248 I/O over a distance of up to 100 m (200 m with a repeater).

*For further details, see pages 4/26 to 4/29.*

- The CANopen machine bus. The communication of the Micro TSX 37 21/22 PLCs enables the connectivity to the CANopen machine bus. It is appeared as a PCMCIA card equipped with a cable (length 0.5m) and a tap junction (with 9-way SUB-D connector). This TSX CPP 110 kit allows the direct linking to the bus and ensures the role of the master on the CANopen bus. The PCMCIA card is inserted into the reserved slot for communication card, available on the TSX 37 21 and TSX 37 22.

*For further details, see pages 4/22 to 4/25.*

#### Analogue I/O and process control

TSX Micro PLCs offer several ways of performing analogue processing:

- For data input or commands which do not need a high resolution level, using I/O integrated in TSX 37 22 PLCs.
- For precise measurement and commands, using TSX AEZ/ASZ/AMZ ●●● half format analogue I/O modules.
- To locate analog I/O remotely via the TSX STZ 10 rackmaster module with TSX 37 10/21/22 PLCs. The latter enables the use of three TSX AMN 400● analog extensions, each equipped with 3 analogue inputs and one analog output.

*For further details, see pages 3/5 and 3/6.*

TSX Micro PLCs have, as standard, process control functions which can be accessed by the user via the PL7 Micro, PL7 Junior or PL7 Pro programming software.

*For further details, see pages 3/10 to 3/13.*

### Counting/positioning

Counter modules TSX Micro PLCs offer several ways of counting:

- Using 500 Hz discrete inputs (2 up/down counter channels with upcounting, downcounting or up/down counting functions, with or without detection of direction of operation).
- 10 kHz counter channels integrated into TSX 37 22 PLC bases (2 10 kHz fast counter channels, with 1 channel having down-counting functions as above).
- Counting/positioning TSX CTZ modules ●A, from 40...500 kHz or TSX CTZ 2B, from 200 kHz...1 MHz. These half format modules are inserted in the available slots in the base rack.

For further details, see pages 3/16 to 3/25.

### Communication

TSX Micro PLCs offer several possibilities:

- Integrated communication which offers cost-effective dialogue functions via the terminal port for TSX 37 05/08/10 PLCs or via the terminal and man-machine interface ports for TSX 37 21/22 PLCs. These RS 485 type non-isolated links use Uni-Telway master/slave, Modbus RTU slave or character string. Also TSX 37 10/21/22 PLCs integrate Modbus master protocol.
- PCMCIA format communication card for TSX 37 21/22 PLCs. They have a dedicated slot for the PCMCIA format communication card ("Full-duplex" asynchronous serial link, CANopen bus, Fipio bus, Uni-Telway or Modbus, Modbus Plus or Fipway network).
- Ethernet TCP/IP 10/100 MHz external modules. This external module connects to the terminal port of TSX 37 10/21/22 PLCs and has Uni-TE and Modbus messaging. It also allows connection to an external modem using PPP protocol.

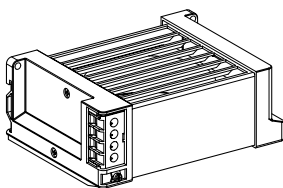
For further details, see pages 4/6 to 4/21.

### Fan modules

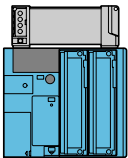
TSX FAN ●●P fan modules installed above TSX Micro PLCs ensure a forced air convection, which creates a uniform ambient temperature within the enclosure and eliminates any hot spots which might exist.

Fan modules are required when the ambient temperature is between 60 °C and 70 °C. Forced ventilation is used to eliminate hot spots (1). Three types of fan module are available: --- 24 V, ~ 110 V and ~ 220 V.

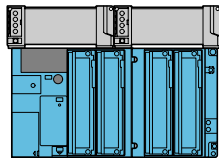
One fan module is required for a TSX 37 05/08/10/21/22 configuration, two fan modules are required for a TSX 37 10/21/22 configuration with the TSX RKZ 02 mini rack.



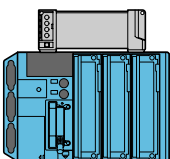
TSX FAN ●●P



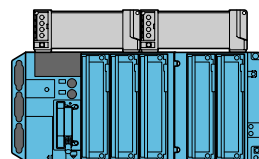
TSX 37 05/08/10



TSX 37 10 + TSX RKZ 02



TSX 37 08/21/22



TSX 37 21/22 + TSX RKZ 02

(1) For an ambient temperature of between 25 °C...60 °C, the use of fan modules increases the MBTF.

### Memory structure

The memory structure of TSX Micro PLCs consists of two distinct zones:

- An internal RAM memory designed to receive the application (data, program and constants) of
  - 11 Kwords for TSX 37 05/08 PLCs,
  - 14 Kwords for the TSX 37 10 PLC,
  - 20 Kwords for TSX 37 21/22 PLCs.
- A Flash EPROM memory of:
  - 12 Kwords for TSX 37 05/08 PLCs,
  - 16 Kwords for TSX 37 10/21/22 PLCs
 designed to back up the application program (11 or 14 Kwords maximum) and to back up 1024 %MW internal words in the event of a battery failure or no battery.

For TSX 37 21/22 PLCs, the internal RAM memory can be extended via a 32, 64 or 128 Kwords PCMCIA memory card, either RAM or Flash EPROM. The same memory card incorporated the possibility of contained a storage zone for additional data, e.g. for production data and manufacturing recipes.

### PCMCIA memory extension cards for TSX 37 21/22 PLCs

These cards can be used to extend the PLC internal memory for storing the application program and constants.

Two types of memory card are available:

#### ■ Battery-backed RAM type memory card

Used in particular during application program creation and debugging, this card enables all application transfer and modification services in online mode. The memory is backed up by a removable battery integrated in the memory card.

#### ■ Flash EPROM type memory card

Used when the debugging of the application program is complete, this card enables one global transfer only of the application and avoids the problems of backup via battery.

A third type of card can also be used to store additional data:

#### ■ Battery-backed RAM type memory card or battery-backed RAM and Flash EPROM

Used particularly in association with the Modem link, these are used to extend the processor's internal memory, and also to store recipe or data log for later consultation via a telephone link.

The RAM memory is backed up by a removable battery integrated in the memory card.

Another type of PCMCIA memory card is available:

#### ■ Backup type memory card (for TSX 37 21/22 PLCs)

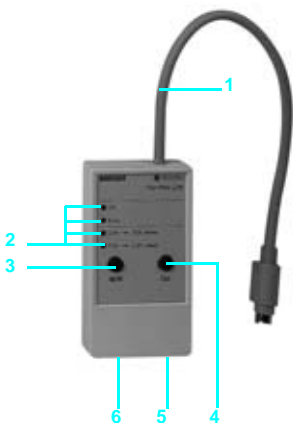
Previously loaded with the application program, this card is used to reload the application program into the internal RAM memory and the internal Flash EPROM memory of the processor, without requiring the use of a programming terminal.

### Program loader

The TSX PRG LDR module is designed to simplify duplicating or updating applications on Nano and TSX Micro PLCs without the need for a programming terminal. An application (15 Kwords maximum in internal RAM) can be transferred from a PLC in the TSX PRG LDR module (and saved within it), then transferred from the TSX PRG LDR module to the PLC.

The front panel of the TSX PRG LDR module comprises:

- 1 A cord for connecting to the PLC terminal port.
- 2 Four operation indicator LEDs.
- 3 A W/R button which selects the program transfer direction (PLC → module or module → PLC).
- 4 A GO button to start the transfer.
- 5 A Write Only switch which prevents PLC → module transfer.
- 6 A Program Protect switch which protects the PLC application as read-only after the transfer.



### Application memory

The application memory is divided into memory zones, which are physically shared between the internal RAM memory and the PCMCIA memory card (if the TSX 37 21/22 PLC has a memory card):

- The application data zone which is always is the internal RAM memory.
- The application program zone in the internal RAM memory or on the PCMCIA memory card.
- The constants zone in the internal RAM memory or on the PCMCIA memory card.
- The Flash EPROM zone for the application program backup, the constants and 1 K internal words.
- The file storage zone in the PCMCIA memory card.

If the content of the RAM memory is lost (battery fault or no battery) then the content of the Flash EPROM memory (program, constants and 1 K internal words) is automatically transferred to the internal RAM memory. The backup copy of the application in the Flash EPROM memory requires that the PLC does not have a PCMCIA memory extension card and that the size of the program and the constants does not exceed 16 Kwords.

Two types of application memory organization are possible for TSX Micro PLCs depending on whether the PLC is equipped with a memory extension in the form of a PCMCIA card:

#### Application in the internal RAM

The application is loaded entirely in the battery-backed internal RAM of the processor with a capacity of:

- 11 Kwords for TSX 37 05/08, shared, for example: as 3 Kwords of application data and 8 Kwords of the program and its constants.
- 14 Kwords for TSX 37 10, shared, for example: as 500 words of application data and 13.5 Kwords of the program and its constants.
- 20 Kwords for TSX 37 21/22, shared, for example: as 4 Kwords of application data and 16 Kwords of the program and its constants.

#### Application in the internal Flash EPROM

The total volume is equal to the application volume in RAM, limited to 11 Kwords or 15 Kwords, to which the backup of the first 1024 data words (%MW) is added.

#### Application in the PCMCIA card

The PCMCIA memory card contains the program and the constants. The additional data storage zone for 128 Kword data (available according to the PCMCIA card model) can be used for distributed applications, for storing information which can be consulted remotely via Modem. This zone can also be used for storing manufacturing recipes.

#### Internal RAM data

The data zone can be extended to 20 Kwords, and is only held in the PLC internal RAM.

#### Data backup

The first 1024 words are backed up by the PLC internal Flash EPROM memory. PL7 Micro/Junior/Pro software aids the application designer in the management of the structure and the occupation of memory space for TSX Micro PLCs.

### Application protection

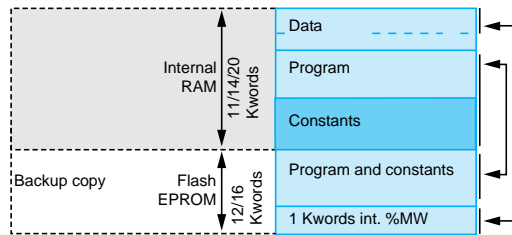
Whatever the PLC's memory structure is: application in internal RAM or on the PCMCIA card, it is possible to protect the structure to prohibit access (reading or program modification) in online mode using PL7 Micro/Junior/Pro software.

### Backup application

Micro TSX 37 21/22 PLCs make it possible to save the 32 Kwords maximum application (programs and constants) on a Backup TSX MFP BAK 032P memory card. The internal RAM memory can thus be reloaded with the contents of this Backup memory card.

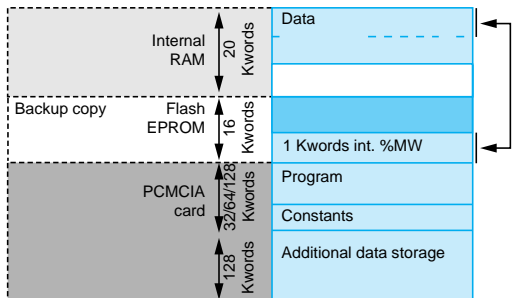
This Backup function is not available if the application runs on a PCMCIA RAM or Flash EPROM memory card.

TSX 37 05/08/10/21/22 (without PCMCIA card)



- 1 Application data (17.5 Kwords maximum).
- 2 Descriptor and executable code for tasks.
- 3 Constant words, initial values and configuration.

TSX 37 21/22 (with a PCMCIA card)



- 1 Application data (17.5 Kwords maximum).
- 2 Descriptor and executable code for tasks.
- 3 Constant words, initial values and configuration.
- 4 According to the PCMCIA card model.

1

## Centralized display

TSX Micro PLCs are equipped with a display block which groups together centrally all the data required for the control, diagnostics and maintenance of the PLC and all its modules, as well as simple man-machine interface functions.

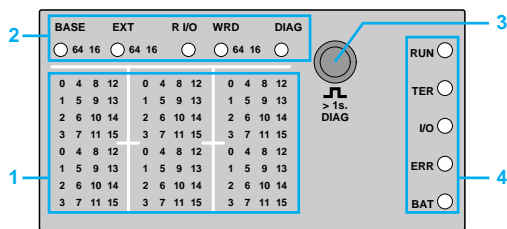
The centralized display provides:

- Display of the local or remote I/O channel states (I/O of Nano PLCs).
- Display of devices on the AS-Interface bus and AS-Interface bus diagnostics (see page 4/26).
- Display of diagnostics of faulty channels or modules.
- Display of internal data:
  - bits,
  - bit strings,
  - word strings,
  - program variables (active steps, application information, etc).
- 4-digit multiple digital display.

## Description

The centralized display block comprises:

- 1 Three blocks of 32 LEDs representing the slots in which the modules are installed in the base rack or mini extension rack.
- 2 An information line consisting of LEDs which show the display operating modes.
- 3 A command push button which provides access to the various display operating modes.
- 4 Five LEDs:
  - RUN, PLC run/stop,
  - TER, traffic on the terminal port,
  - I/O, I/O fault,
  - ERR, processor or application fault,
  - BAT, battery fault or no battery.





### Characteristics

TSX Micro PLCs have been developed to conform to the national and international standards concerning electronic devices for industrial control systems:

- Specific requirements for programmable controllers: functional characteristics, resistance, robustness, safety, etc. IEC 61131-2, CSA 22-2, UL 508.
- Merchant navy requirements from the main European bodies: BV, DNV, GL, GOST, LR, RRS.
- European directives (low voltage, electromagnetic compatibility), CE marking.
- Electrical qualities and self-extinguishing capacity of insulating materials: UL 746C, UL 94, etc. See page 6/4.

### Environmental characteristics (characteristics common to all TSX Micro PLC components)

<b>Temperature</b>	Operation	°C	0...+ 60 (+ 5...+ 55 conforming to IEC 61131-2), 0...+ 70 with TSX FAN ventilation modules
	Storage	°C	- 25...+ 70 (conforming to IEC 61131-2)
<b>Relative humidity</b>	Operation		10 %...95 %, without condensation
	Storage		5 %...95 % conforming to IEC 61131/2 without condensation
<b>Altitude</b>		m	0...2000
<b>Mechanical withstand</b>	Resistant to vibrations		Conforming to IEC 68-2-6, Fc test
	Resistant to shocks		Conforming to IEC 68-2-27, Ea test
<b>Resistant to electrostatic discharge</b>	Withstand to electrostatic discharge		Conforming to IEC 1000-4-2, level 3 (1)
<b>Resistance to HF interference</b>	Resistant to electromagnetic fields		Conforming to IEC 1000-4-3, level 3 (1)
	Resistant to rapid transient bursts		Conforming to IEC 1000-4-4, level 3 (1)
	Resistant to shock waves		Conforming to IEC 1000-4-5
	Resistant to damped oscillatory waves		Conforming to IEC 1000-4-12
<b>Resistance to LF interference</b>			Conforming to IEC 61131-2

### Power supply characteristics

Type of power supply			Power supply ~	Power supply ==	
<b>Primary</b>	Voltage	Nominal	V	~ 100...240	== 24
		Limit (including ripple)	V	~ 90...264	== 19.2...30V possible up to 34 V for 1 hr per 24 hrs
	Frequency	Nominal (limit)	Hz	50-60 (47-63)	-
	Current	Nominal input	A	≤ 0.7 (~ 100 V), ≤ 0.3 (~ 240 V)	2
		Inrush (2)	A	≤ 60	≤ 60
	Micro-breaks	Accepted duration		≤ 1/2 period, repetition ≥ 1 s	≤ 10 ms, repetition ≥ 1 s
<b>Secondary</b>	Power	Total useful (typical)	W	24 (32 peak)	16 (18 peak)
	Output currents	== 5 V output	A	2.8 (3.2 peak)	2.8 (3.2 peak)
		Output == 24 VR (for relay outputs)	A	0.5 (0.6 peak)	-
		== 24 V output sensors	A	0.4 (0.6 peak)	-
	Protection integrated on the outputs against	Overloads		Yes	Yes
		Short-circuits		Yes	Yes
<b>Isolation</b>	Dielectric resistance	Primary/secondary	V rms	2000 - 50/60 Hz	No isolation, 0 V internal connected to the PLC ground

(1) Minimum level in the test conditions defined by the standards.

(2) Values to be taken into account when starting up several devices at the same time or when sizing protection devices.

# Modicon TSX Micro automation platform

## TSX 37 05/08/10/21/22 PLCs

1

Processor characteristics				TSX 37 05	TSX 37 08	TSX 37 10	TSX 37 21	TSX 37 22	
<b>Type of PLC</b>									
<b>No. of slots</b>	Basic			2	3	2	3		
	With extension rack, 2 slots			–		4	5		
<b>Functions (Max.no.)</b>	Discrete I/O (1)	Screw terminal block		60 (28 I/O)	88 (56 I/O)	124 (28 I/O)	160 (–)		
		HE10 connector		92	120	184 (28 or 64 I/O)	248 (–)		
		64 channel modules		1		2	3		
	Analog I/O	Integrated		–					8 I et 1 O
		Modules		2			4		
		Type of modules		Half format module 4 or 8 I, 2 or 4 O, 4 I/O					
		Regulation		The number of loops is limited by the number of analogue modules and by the size of memory					
	Counting channels (2)	Integrated		–					2 channel 10 kHz
		Modules		2		2 (3)	4 (3)		
		Type of modules		Half format module 1 or 2 channel 40/500 kHz, 1 channel SSI 1 MHz					
Integrated connections	Discrete I/O		2 channels 500 Hz						
	Serial link		1 link with 1 connector (TER) 19.2 Kbit/s				1 link with 2 connectors (TER and AUX) 19,2 Kbit/s		
	Type of links		Uni-Telway master/slave						
Networks and bus connections	Ethernet TCP/IP		–		1 (Ethernet TCP/IP external module or RS 232 Modem)				
	Fipway network, Modbus Plus		–		1 (4)				
	AS-Interface bus		–		1 Half format module (profil M2) (5)				
	CANopen bus		–		1 (4)				
	Modbus bus, Uni-Telway, Characters string		–		1 (4)	1 (4)			
	Extension by Nano base and Nano extension (200 m maxi)		–		1 half-format module (5) for 96 discrete I/O or 12 analogue I/O (4 Nano bases 24 I/O or 3 analogue extensions 3 I/1 O)				
<b>Real time clock</b>				–					
<b>Memory</b>	Max. capacity	Internal RAM which can be backed up	<b>Keywords</b>	11		14	20		
		Program and constants	<b>Keywords</b>	–		128 with PCMCIA card			
		Data storage	<b>Keywords</b>	–		128			
	Max. data storage size	Internal bits %Mi	<b>bits</b>	256					
		Internal words %MWi	<b>Keywords</b>	1 (6)		1 (6), 17,5 with PCMCIA card			
	Constants words %KWw	<b>Words</b>	128 (6)						
<b>Application structure</b>									
	Master task		1						
	Fast task		1						
	Event processing		8				16 (where 1 has priority)		
<b>Execution time for 1 instruction</b>	Without PCMCIA card	Boolean	$\mu$ s	0,25			0,13		
		On word or fixed-point arithmetic	$\mu$ s	4,81			4,50		
	With PCMCIA card	Boolean	$\mu$ s	–			0,19		
		On word or fixed-point arithmetic	$\mu$ s	–			4,50		
<b>No. of K instructions executed by ms</b>	Without PCMCIA card	100 % boolean	<b>Kinst/ms</b>	3,03			5,88		
		65 % boolean and 35 % numerical	<b>Kinst/ms</b>	0,25			0,27		
	With PCMCIA card	100 % boolean	<b>Kinst/ms</b>	–			4,00		
		65 % boolean and 35 % numerical	<b>Kinst/ms</b>	–			0,266		
<b>Overhead système</b>									
	Master task		<b>ms</b>	1,9			1,6	2,3	

(1) The value in bracket and in italics corresponds to number of I/O providing with the basic PLC configuration.  
 (2) Maximum number of counting/positioning channels, see page 3/16.  
 (3) TSX CTZ●● counting/positioning modules, only in the TSX Micro base.  
 (4) PCMCIA to insert in the communication card slot  
 (5) The remote discrete I/O extension modules and AS-Interface bus modules are installed in position 4 which means that their use is mutually exclusive.  
 (6) Default size, can be extended, but will have an adverse effect on the size of the application program.

# Modicon TSX Micro automation platform

## TSX 37 05/08/10/21/22 PLCs



TSX 37 05/10 ●28●●1



TSX 37 08 056 DR1



TSX 37 10 164DTK1



TSX 37 22 ●01



TSX RKZ 02

### Basic TSX 37 05/08 PLC configurations (1 slot available)

Power supply	Integrated memories		Integrated memory Discrete I/ O modules		Reference	Weight kg
	RAM	Flash EPROM	Type	Connection		
~ 100...240 V	11 Kwords	12 Kwords	1 modules with 16 I = 24 V, 12 O relay	Via screw terminal block (supplied)	TSX 37 05 028DR1	2.370
			2 modules with 16 I = 24 V, 12 O relay	Via screw terminal block (supplied)	TSX 37 08 056DR1	2.720

### Basic TSX 37 10 PLC configurations (1 slot available)

Power supply	Integrated memories		Integrated memory Discrete I/ O modules		Reference	Weight kg
	RAM	Flash EPROM	Type	Connection		
= 24 V	14 Kwords	15 Kwords	1 module with 16 I = 24 V 12 Solid state O 0.5 A	Via screw terminal block (supplied)	TSX 37 10 128DT1	1.870
			1 module with 16 I = 24 V 12 O relay	Via screw terminal block (supplied)	TSX 37 10 128DR1	1.900
			1 module with 16 I = 24 V 12 Solid state O 0.5 A	Via HE 10 type connector	TSX 37 10 128DTK1	1.740
			1 module with 32 I = 24 V 32 Solid state O 0.1 A	Via HE 10 type connector	TSX 37 10 164DTK1	1.820
~ 100...240 V	14 Kwords	15 Kwords	1 module with 16 I ~ 115 V 12 O relay	Via screw terminal block (supplied)	TSX 37 10 028AR1	1.910
			1 module with 16 I = 24 V 12 O relay	Via screw terminal block (supplied)	TSX 37 10 028DR1	1.910

### Basic TSX 37 21/22 PLC configurations (3 slots available)

Power supply	Integrated memories		Integrated functions	Reference	Weight kg
	RAM	Flash EPROM			
= 24 V	20 Kwords	5 Kwords	–	TSX 37 21 101	1.720
			8 analog inputs 0-10 V 1 analog output 0-10 V 1 Up/down counter 10 kHz 1 counter 10 kHz	TSX 37 22 101	1.750
~ 100...240 V	20 Kwords	15 Kwords	–	TSX 37 21 001	1.720
			8 analog inputs 0-10 V 1 analog output 0-10 V 1 Up/down counter 10 kHz 1 counter 10 kHz	TSX 37 22 001	1.750

### Mini extension rack

Capacity	Use	Number maximum	Reference	Weight kg
2 slots (possibility of 4 positions)	PLCs TSX 37 10/21/22	1 mini rack per PLC	TSX RKZ 02	0.630

### Documentation

TSX Micro base and module installation manual	See page 1/4	–
---	--------------	---

# Modicon TSX Micro automation platform

## TSX 37 05/08/10/21/22 PLCs

1



TSX MRP ●●●P

## References (continued)

## Extension for application memory

Use	Memory size		Reference	Weight kg
	Application	Data storage		
TSX 37 21/22	32 Kwords	–	TSX MRP 032P	0.060
		128 Kwords	TSX MRP 232P	0.060
	64 Kwords	–	TSX MRP 064P	0.060
		128 Kwords	TSX MRP 264P	0.060
	128 Kwords	–	TSX MRP 0128P	0.060
		128 Kwords	TSX MRP 2128P	0.060

## Extension Flash EPROM PCMCIA memory

Use	Memory size		Reference	Weight kg
	Application	Data storage		
TSX 37 21/22	32 Kwords	–	TSX MFP 032P	0.060
		128 Kwords	TSX MFP 232P	0.060
	64 Kwords	–	TSX MFP 064P	0.060
		128 Kwords	TSX MFP 264P	0.060
	128 Kwords	–	TSX MFP 0128P	0.060
		128 Kwords	–	TSX MFP 0128P

## Backup card (1)

Use	Memory size		Reference	Weight kg
	Application	Data storage		
TSX 37 05/08/10	32 Kwords	–	TSX MFP BAK 032P	0.060

## Fan modules

Description	Quantity to be used	Supply	Reference	Weight kg
Fan modules (2)	1 for TSX 37 05/08/10/21/22	≐ 24 V	TSX FAN D2P	0.500
	2 for TSX 37 10/21/22 with TSX RKZ 02	~ 100...120 V	TSX FAN A4P	0.500
		~ 200...240 V	TSX FAN A5P	0.500

## Separate parts

Description	Use	Quantity	Unity reference	Weight kg
Program loader with terminal port conn. cable	Simplifies duplication, updating or backup of 15 Kwords applications (program) and constants in internal RAM (length: 0.3m)		TSX PRG LDR	0.150
Connection accessories	Discrete I/O		See page 2/14	–
	Discrete I/O with Telefast 2		See pages 2/34 and 2/35	–
	Integrated analog I/O		See page 3/9	–
	Integrated counter channels		See page 3/19	–
Backup batteries	TSX 37 05/08/10/21/22	–	TSX PLP 01	0.030
	internal RAM	Pack of 10	TSX PLP 101	0.320
	RAM type PCMCIA memory card	–	TSX BAT M01	0.010
Cover for empty slot	TSX 37 05/08/10/21/22 PLCs	Pack of 10	TSX RAZ 01	0.010
Gripper	Memory extension card (PCMCIA type 1)		TSX P CAP	0.030



TSX FAN ●●P



TSX PRG LDR

(1) Card previously loaded to enable the TSX Micro application program to be updated without needing a programming terminal (the program must be entirely contained in the internal RAM).

(2) One fan module for a TSX 37 05/08/10/21/22 configuration, two fan modules for a TSX 37 10/21/22 configuration with mini rack TSX RKZ 02. Required for an ambient temperature between 60 °C and 70 °C.

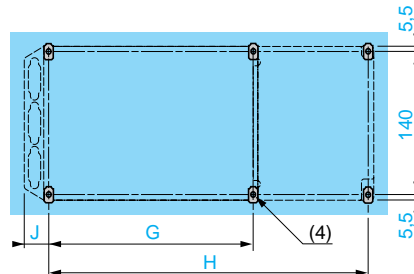
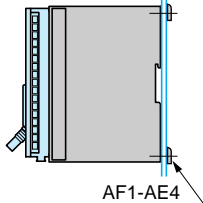
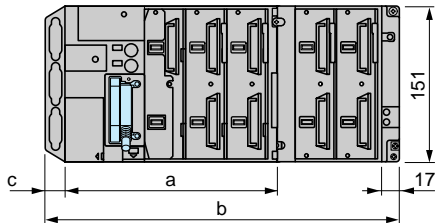
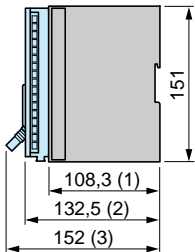
(3) Cover to be mounted in positions which do not hold a module to obtain IP 20 level of protection.

## Dimensions, mounting

Side view

Front view

Mounting



TSX 37	a	b	c
05 028DR1	170.3	-	-
08 056DR1	227.9	-	19
10 028/128/164●●1	170.3	282.7	-
21/22 ●01	227.9	341.4	19

TSX 37	G	H	J
05 028DR1	159.2	-	5
08 056DR1	198.9	-	24
10 028/128/164●●1	159.2	271.7	5
21/22 ●01	198.9	311.4	24

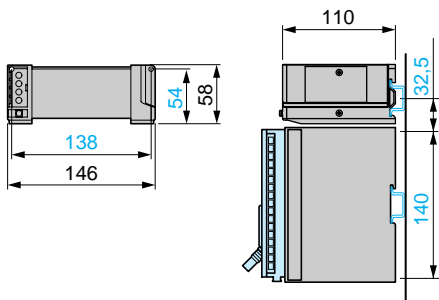
(1) Empty PLC

(2) With screw terminal block

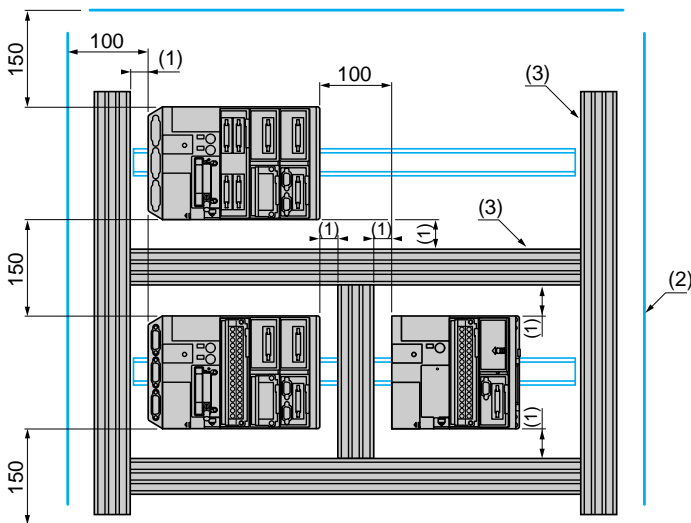
(3) With HE 10 type or SUB-D connectors

(4) Fixing holes for M4 screws

## Mounting for TSX FAN ●●P modules



## Installation regulations



(1)  $\geq 50$  mm

(2) Switch gear or enclosure

(3) Cable ducting or wiring clip



**2.1 - Discrete I/O**

*Selection guide I/O modules* ..... page 2/2

- Discrete I/O modules ..... page 2/6
- Safety module ..... page 2/18
- Extension module for Nano PLCs ..... page 2/24

**2.2 - Connection interfaces**

*Selection guide Telefast® 2 pre-wired system* ..... page 2/26

- Telefast 2 pre-wired system
  - Presentation, compatibility ..... page 2/32
  - References ..... page 2/34
  - Accessories for connection sub-bases ..... page 2/40
  - Dimensions ..... page 2/42
- Installation system
  - Tego Dial for Human-Machine interfaces ..... page 2/44
  - Tego Power for motor power-starter components ..... page 2/46
  - Compatibility Tego system/Modicon PLCs ..... page 2/48

**2.3 - Phaseo power supplies**

*Selection guide power supplies for DC control circuits* ..... page 2/50

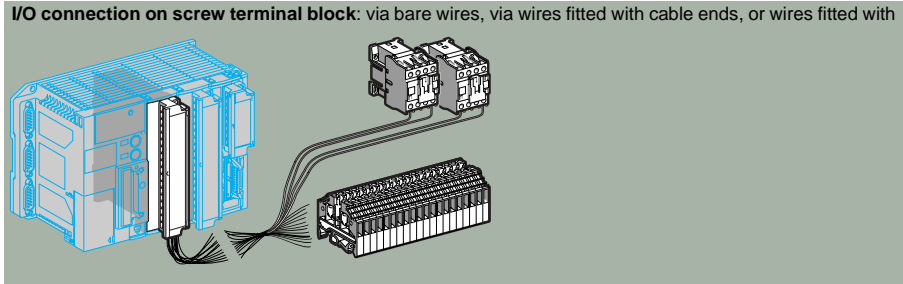
- Presentation ..... page 2/52
- Characteristics ..... page 2/56
- References ..... page 2/60
- Dimensions ..... page 2/62

# Modicon TSX Micro automation platform

## Discrete I/O modules

2  
2.1

Applications with standard format modules



Type  
Nature

32 inputs	32 outputs
Inputs --- 24 V	Outputs --- 24 V solid state 0.5 A
	Outputs ---/~ relay 2A (1th)

Connection

Connection via screw terminal block (supplied with the module)

Possible association with Telefast 2 sub-base

Connection sub-base  
I/O adaptor sub-base

Possible association with Tego systems

Tego Dial  
Tego Power

Isolated inputs

Control

IEC 1131-2 conformity

Logic

Prox.sens. compat. conforming to standard IEC 947-5-2

Sensor voltage monitoring

Type 2

Positive

--- 2-wire, ---/~ 2-wire,  
--- 3-wire PNP

Isolated outputs

Control

IEC 1131-2 conformity

Protection

Logic

Preactuator voltage monitoring	Configurable fallback of outputs
Configurable fallback of outputs	
Yes	-
Protected	Non-protected
Positive	-

Type of modules

TSX DEZ 32D2      TSX DSZ 32T2      TSX DSZ 32R5

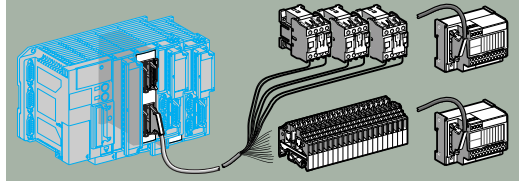
Pages

2/13



open or closed tags (minimum cross-section 0.2mm<sup>2</sup>, maximum 1.5 mm<sup>2</sup>)

**I/O connection on HE 10 type connector:** with preformed cables with flying leads (cross-section 0.324 mm<sup>2</sup>), ribbon cables (cross-section 0.08 mm<sup>2</sup>) or connection cables (cross-section 0.324 mm<sup>2</sup>).



16 inputs/12 outputs

Inputs  $\equiv$  24 V  
Relay outputs 3 A (lth)

Inputs  $\sim$  100...120 V  
Relay outputs 3 A (lth)

Inputs  $\equiv$  24 V  
Outputs  $\equiv$  24 V/0.5 A

32 inputs/32 outputs

Inputs  $\equiv$  24 V  
Outputs  $\equiv$  24 V/0.1 A

Connection via 20-way HE 10 connector

8, 12 or 16 channels, with or without LED, with common or terminals per channel

Inputs: 16 channels  $\equiv$  5 V TTL,  $\equiv$  24 V,  $\equiv$  48 V,  $\sim$  48 V,  $\sim$  115 V or 230 V, 2 terminals per channel

Outputs: 8 or 16 channels, with 1 N/O, 1 or 2 C/O or solid state relays,  $\equiv$  5...48 V,  $\equiv$  24 V,  $\sim$  24...240 V 1 or 2 terminals per channel

Yes (see page 2/44)

Yes (see page 2/46)

Sensor voltage monitoring

Type 1

Positive/Negative

$\equiv$  2-wire,  
 $\equiv$  3-wire PNP/NPN

Type 2

-

$\equiv$ /  $\sim$  2-wire,  $\sim$  2-wire

Type 1

Positive

$\equiv$  2-wire,  
 $\equiv$  3-wire PNP

Preactuator voltage monitoring  
Configurable fallback of outputs

Yes

Protected

Positive

**TSX DMZ 28DR**

**TSX DMZ 28AR**

**TSX DMZ 28DT**

**TSX DMZ 28DTK**

**TSX DMZ 64DTK**

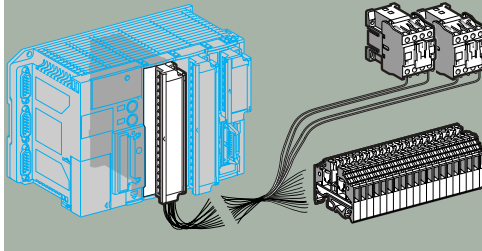
# Modicon TSX Micro automation platform

## Discrete I/O modules

2  
2.1

**Applications for half-format modules**

**I/O connection on screw terminal block:** via bare wires, via wires fitted with cable ends, or wires fitted with maximum 1.5 mm<sup>2</sup>.



<b>Type</b>	12 inputs	8 inputs	8 outputs
<b>Nature</b>	Inputs $\equiv$ 24 V	Inputs $\sim$ 100...120 V      Inputs $\sim$ 200...240 V	Outputs $\equiv/\sim$ relay 3 A (lth)

**Connection** Connection via screw terminal block (supplied with the module)

<b>Possible association with Telefast 2</b>	Connection sub-base
	I/O adaptor sub-base

<b>Possible association with Tego systems</b>	Tego Dial
	Tego Power

<b>Isolated inputs</b>	Control
	EC 1131-2 conformity
	Logic
	Prox.sens.compat. conforming to standard IEC 947-5-2

Sensor voltage monitoring		
Type 1	Type 2	Type 1
Positive/negative	-	-
$\equiv$ 2-wire	$\equiv/\sim$ 2-wire, $\sim$ 2-wire	$\sim$ 2-wire
$\equiv$ 3-wire PNP/NPN		

<b>Isolated outputs</b>	Control
	IEC 1131-2 conformity
	Protection
	Logic

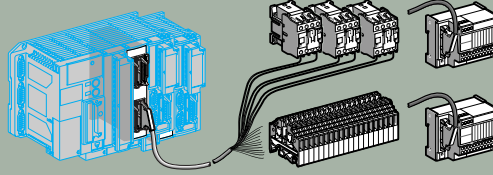
Configurable fallback of outputs
-
Non-protected
-

<b>Type of modules</b>	<b>TSX DEZ 12D2</b>	<b>TSX DEZ 08A4</b>	<b>TSX DEZ 08A5</b>	<b>TSX DSZ 08R5</b>
------------------------	---------------------	---------------------	---------------------	---------------------

**Pages** 2/13

open or closed tags (minimum cross-section 0.28 mm<sup>2</sup>),

**I/O connection on HE 10 connector:** with preformed cables with flying leads (cross-section 0.324 mm<sup>2</sup>) ribbon cables (cross-section 0.08 mm<sup>2</sup>) or connection cables (cross-section 0.324 mm<sup>2</sup>).



2

2.1



4 outputs  
Outputs --- 24 V/2 A

8 outputs  
Outputs --- 24 V/0.5 A

12 inputs  
Inputs --- 24 V

8 inputs/8 outputs  
Inputs --- 24 V  
Outputs --- 24 V/0.5 A

Connection via 20-way HE 10 connector

8, 12 or 16 channels, with or without DEL, with common or 2 terminals per channel  
Inputs: 16 channels --- 5 V TTL, --- 24 V, --- 48 V, ~ 48 V, ~ 115 V or 230 V, 2 terminals per channel  
Outputs: 8 or 16 channels with 1 N/O or C/O or spmod state rehaus, --- 5...48 V, --- 24 V, ~ 24...240 V 1 or 2 terminals per channel

Yes (see page 2/44)  
Yes (see page 2/46)

Sensor voltage monitoring

Type 2  Type 1

Positive

---/~ 2-wire, --- 2-wire  
--- 3-wire PNP

--- 2-wire,  
--- 3-wire PNP

Preactuator voltage monitoring  
Configurable fallback of outputs

Yes  
Protected  
Positive

Preactuator voltage monitoring. Configurable fallback of outputs

Yes  
Protected  
Positive

**TSX DSZ 04T2**

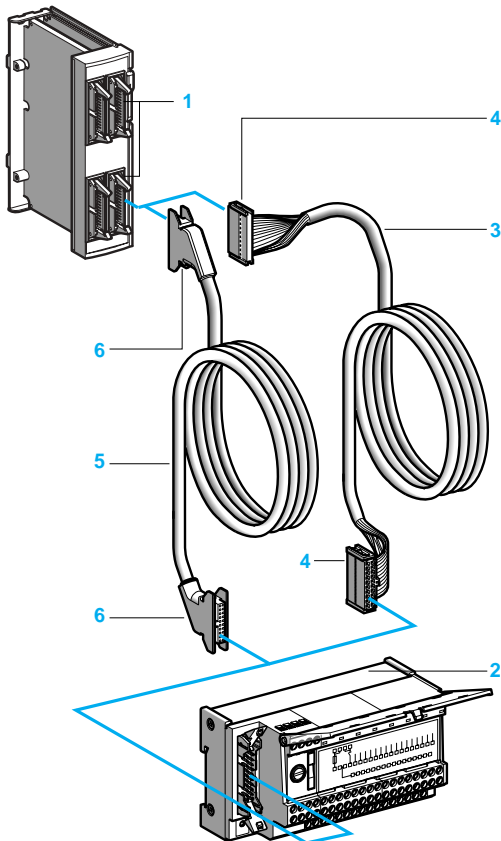
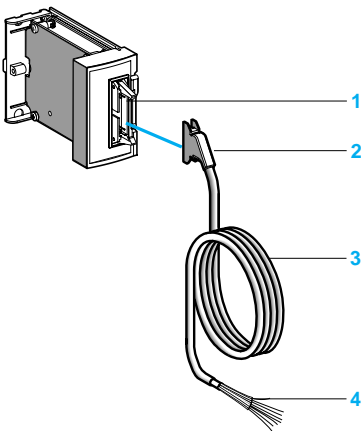
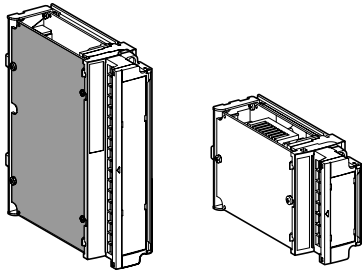
**TSX DSZ 08T2**

**TSX DSZ 08T2K**

**TSX DEZ 12D2K**

**TSX DMZ 16DTK**

2  
2.1



### Connection principles

#### Connecting modules with screw terminal blocks

The screw connection terminal blocks are fitted with a removable cover ensuring:

- The screws are held in place
- Personnel safety

Each terminal on a screw terminal block can accept bare wires or wires fitted with cable ends, with closed or open tags. The capacity of each terminal is:

- Minimum:
  - 1 wire 0.28 mm<sup>2</sup> (AWG 23) without cable end
- Maximum:
  - 2 wires 1 mm<sup>2</sup> (AWG 17) with cable end, or
  - 1 wire 1.5 mm<sup>2</sup> (AWG 15) without cable end, or
  - 1 open or closed tag for wires of 1 mm<sup>2</sup> (AWG 17).

#### Connecting modules with HE 10 type connectors

##### Prewired cable with 20 flying leads, gauge 22 (0.324 mm<sup>2</sup>)

Used for the simple and direct wire to wire connection of the I/O of modules with connectors **1** to the sensors, preactuators or terminals.

The prewired cable **3** comprises:

At one end, a moulded HE 10 type connector **2** with 20 x 0.34 mm<sup>2</sup> cross-section wires in a sheath.

At the other end **4**, flying leads -differentiated by colour coding conforming to DIN 47100.

- TSX CDP 301: length 3 m,
- TSX CDP 501: length 5 m,
- TSX CDP 1001: length 10 m.

##### Sheathed rolled ribbon cable, gauge 28 (0.08 mm<sup>2</sup>)

Used to connect the I/O of modules with HE 10 type connectors **1** to Telefast 2 connection and adaption rapid wiring interfaces **2**. The cable **3** comprises 2 HE 10 type connectors **4** and a sheathed rolled ribbon cable with 0.08 mm<sup>2</sup> cross-section wires.

Bearing in mind the small cross-section of the wire, this method of connection is only recommended for low current I/O (100 mA maximum per input or per output).

- TSX CDP 102: length 1 m,
- TSX CDP 202: length 2 m,
- TSX CDP 302: length 3 m.

##### Connection cable, gauge 22 (0.324 mm<sup>2</sup>)

Used to connect the I/O of modules with HE 10 type connectors **1** to Telefast 2 connection and adaption rapid wiring interfaces **2**. The cable **5** comprises 2 moulded HE 10 type connectors **6** and a cable suitable for carrying higher currents (500 mA maximum).

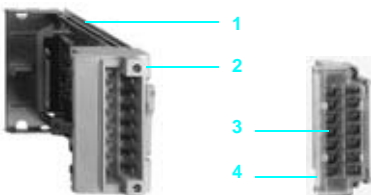
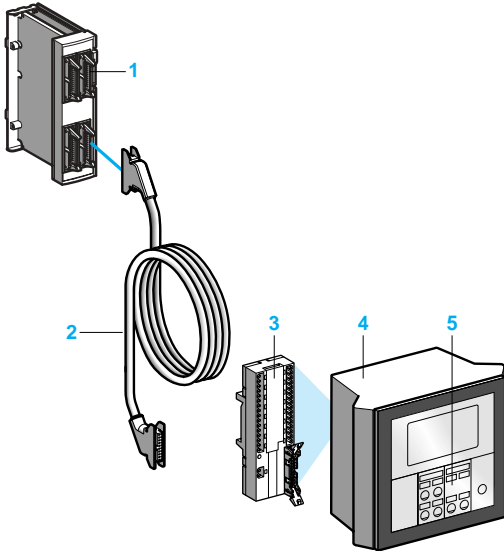
- TSX CDP 053: length 0.5 m,
- TSX CDP 103: length 1 m,
- TSX CDP 203: length 2 m,
- TSX CDP 303: length 3 m,
- TSX CDP 503: length 5 m,
- TSX CDP 1003: length 10 m.

### Connection principles (continued)

#### Connection to Tego Dial and Tego Power systems

The TSX DMZ 16 DTK **1** module is also designed for association with Tego Dial and Tego Power (1) systems set up.

In the example the connection is achieved by simply connecting cable TSX CDP ●●3 **2** to the APE-1B24M Dialbase sub-base **3** installed on the Dialpack console **4**, which is fitted with a mounting plate **5** for MMI components.



Half-format or standard format I/O module

### Description

#### Discrete I/O modules connected via screw terminal block

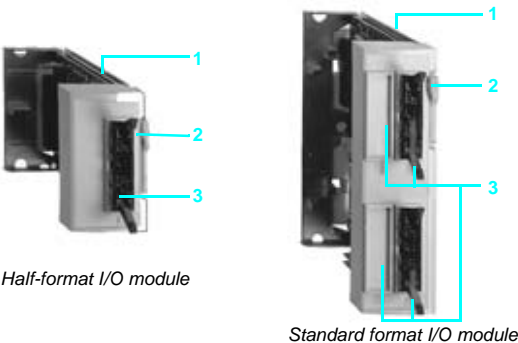
Half-format or standard format I/O modules with connection via screw terminal block comprise:

- 1 At rigid metal casing.
- 2 At locking mechanism for fixing the module in its slot. This can only be accessed when the terminal block is removed.
- 3 At removable screw terminal block for connection to sensors and preactuators.
- 4 At cover for the terminal block screws, which also serves as a label holder.

#### Discrete I/O modules connected via connector

I/O modules with connection via connector comprise:

- 1 At rigid metal casing.
- 2 At locking mechanism for fixing the module in its slot.
- 3 One, two or four HE 10 connectors for connection to sensors and preactuators.



Half-format I/O module

Standard format I/O module

#### Discrete I/O module connected via connector and cage terminal

The TSX DMZ 16DTK module comprises:

- 1 At rigid metal casing.
- 2 At locking mechanism for fixing the module in its slot.
- 3 One HE 10 connector for connection to sensors and preactuators.
- 4 At cage terminal for connecting the input and output power supplies.

(1) See pages 2/44 to 2/3.



### Functions

#### I/O assignment

By software configuration, specific functions can be assigned to certain inputs. The first four inputs of a discrete I/O module located in slot 1 of a TSX Micro PLC can be configured as discrete inputs, latching inputs, event-triggered inputs or up/down counter inputs.

#### Inputs which can be configured as latching inputs

These are inputs %I1.0 to %I1.3. The principle is that, on a pulse which is shorter than the PLC scan, the pulse is stored and processed on the next PLC scan. The pulse is taken into account when the input changes state (rising and/or falling edge depending on the selected configuration).

#### Inputs which can be configured as event-triggered inputs

These are inputs %I1.0 to %I1.3. On command events, the application program is diverted directly to the event processing associated with the input causing the event. The event is taken into account when the input changes state (rising and/or falling edge depending on the selected configuration).

#### Inputs which can be configured as up/down counter inputs

These are inputs %I1.0 to %I1.3. Depending on the software configuration, these inputs enable the creation of up to 2 up/down counter channels, each of which can execute one of the following functions independently: upcounting function, downcounting function, up/down counting with or without direction discrimination.

#### RUN/STOP command

Input %I1.8 can be set to control the RUN/STOP command on the PLC. This is taken into account on a rising edge. At STOP command via an input has priority over the RUN command via the terminal or network.

#### Program and data backup input

Input %I1.9 can be set to back up the application program in the Flash EPROM memory (in the internal RAM) and the first 1000 words %MWi maximum on a rising edge.

#### Alarm output

On a PLC base, output %Q2.0 can, after configuration, be assigned to the ALARM function. When setting the PLC to RUN and if no blocking fault is detected, the alarm output changes to state 1. It can be used in safety circuits external to the PLC, for example to control the output preactuators power supply, or the TSX Micro PLC power supply.

### 2/3-wire proximity sensor compatibility

Type of sensors	Types of inputs	≡ 24 V Type 1 Positive logic	≡ 24 V Type 2 Positive logic	≡ 24 V Negative logic	~ 100...120 V Type 2	~ 200...240 V Type 1
All ≡ 3-wire prox. sensors, PNP type		Compatible	Compatible			
All ≡ 3-wire prox. sensors, NPN type			Compatible	Compatible		
≡ 2-wire proximity sensor, Telemecanique or other brand having the following characteristics: ■ Residual voltage, closed ≤ 7 V ■ Minimum switching capacity ≤ 2.5 mA ■ Residual current, open ≤ 1.5 mA		Compatible	Compatible	Compatible		
≡/~ 2-wire proximity sensor			Compatible		(1)	Compatible
~ 2-wire proximity sensor					(1)	Compatible

Compatible  
(1) In the nominal voltage range ~ 220...240 V.

Characteristics of $\pm 24$ V input modules (1)						
<b>Type of modules</b>			<b>TSX DEZ 12D2/TSX DMZ 28DR</b>	<b>TSX DEZ 12D2K/TSX DEZ 32D2</b>	<b>TSX DMZ 16DTK</b>	
<b>Number of inputs</b>			12/16	12/32	8	
<b>Connection</b>			Screw terminal block	HE 10 connector/screw terminal block	HE 10 connector/ enclosed terminal block	
<b>Nominal input values</b>	Voltage	<b>V</b>	$\pm 24$ (positive logic)	$\pm 24$ (negative logic)	$\pm 24$ (positive logic)	
	Current	<b>mA</b>	9	6	7	
	Sensor supply (ripple included)		19...30 (possible up to 34 V, limited to 1 hour per 24 hours)			
<b>Input limit values</b>	At state1	Voltage	<b>V</b>	$\geq 11$	$\leq 8$	$\geq 11$
		Current	<b>mA</b>	$> 2.5$		$> 6$
	At state 0	Voltage	<b>V</b>	$< 5$	$> U_{al} - 5$	$< 5$
		Current	<b>mA</b>	$< 1,5$		$< 2$
<b>Input impedance at state 1</b>		<b>K<math>\Omega</math></b>	2.4	4	3,4	
<b>Configurable response time</b>	State 0 to 1	<b>ms</b>	0.1...7.5			
	State 1 to 0	<b>ms</b>	0.1...7.5			
<b>IEC 1131-2 conformity</b>			Yes, type 1	–	Yes, type 2	Yes, type 1
<b>Proximity sensor compatibility 2/3-wire</b>			Yes			
<b>Isolation resistance</b>		<b>M<math>\Omega</math></b>	$> 10$ at $\pm 500$ V			
<b>Type of input</b>			Resistive	Current sink	Resistive	
<b>Consumption</b>			See page 6/4			
<b>Dissipated power</b>		<b>W</b>	<b>TSX DEZ 12D2: 2,7</b> <b>TSX DMZ 28DR: 4.5</b>	<b>TSX DEZ 12D2K: 2,7</b> <b>TSX DEZ 32D2: 6</b>	3	
<b>Isolation</b>	Between channels and ground	<b>V rms</b>	1500 - 50/60 Hz for 1 minute			
	Between channels and internal logic	<b>V rms</b>	1500 - 50/60 Hz for 1 minute			
<b>Type of modules</b>			<b>TSX DMZ 28DTK/DMZ 28DT</b>	<b>TSX DMZ 64DTK</b>	<b>TSX ACZ 03 (3)</b>	
<b>Number of inputs</b>			16	32	8	
<b>Connection</b>			HE 10 connector/screw terminal block	HE 10 connector	SUB- D connector	
<b>Nominal input values</b>	Voltage	<b>V</b>	$\pm 24$ (positive logic)			
	Current	<b>mA</b>	7	3.5	8	
	Sensor supply (ripple included)		19...30 (possible up to 34 V, limited to 1 hour per 24 hours)			
<b>Input limit values</b>	At state1	Voltage	<b>V</b>	$\geq 11$		
		Current	<b>mA</b>	$> 2.5$		
	At state 0	Voltage	<b>V</b>	$< 5$	$< 5$	$< 5$
		Current	<b>mA</b>	$< 1.5$	$< 1.4$	$< 1.4$
<b>Input impedance at state 1</b>		<b>K<math>\Omega</math></b>	3.4	6.3	2.67	
<b>Configurable response time</b>	State 0 to 1	<b>ms</b>	0.1...7.5			
	State 1 to 0	<b>ms</b>	0.1...7.5			
<b>EC 1131-2 conformity</b>			Yes, type 1			
<b>Proximity sensor compatibility 2/3-wire</b>			Yes			
<b>Isolation resistance</b>		<b>M<math>\Omega</math></b>	$> 10$ at $\pm 500$ V			
<b>Type of input</b>			Resistive	Current sink	Resistive	
<b>Consumption</b>			See page 6/4			
<b>Dissipated power</b>		<b>W</b>	5			
<b>Isolation</b>	Between channels and ground	<b>V rms</b>	1500 - 50/60 Hz for 1 minute			
	Between channels and internal logic	<b>V rms</b>	1500 - 50/60 Hz for 1 minute			

(1) Characteristics at 60 °C for 60 % I/O loading or at 30 °C for 100 % I/O loading.  
 (2) Adaptation and analogue adjustment module enables the transformation of 8 integral analogue inputs for TSX 37 22 bases into 8 discrete inputs (see page 3/4).

### Characteristics of a.c. input modules <sup>(1)</sup>

Type of modules			TSX DEZ 08A4	TSX DEZ 08A5	TSX DMZ 28AR	
Number of inputs			8		16	
Connection			Screw terminal block			
Nominal input values	Voltage	V	~ 100...120	~ 200...240	~ 100...120	
	Current	50 Hz	mA	11	10	11
		60 Hz	mA	13	12	13
	Frequency	Hz	47...63			
	Sensor supply	V	85...132	170...264	85...132	
Input limit values	At state 1	Voltage	V	≥ 74	≥ 120	≥ 74
		Current	mA	≥ 6 (for U = 74 V)	≥ 6 (for U = 164 V)	≥ 6 (for U = 74 V)
	At state 0	Voltage	V	< 20	< 40	< 20
		Current	mA	< 4	< 5	< 4
Response time	State 0 to 1	50 Hz	ms	11...18		
		60 Hz	ms	9...16		
	State 1 to 0	50 Hz	ms	11...24		
		60 Hz	ms	10...22		
IEC 1131-2 conformity			Yes, type 2	Yes, type 1	Yes, type 2	
Proximity sensor compatibility 2-wire			Yes			
Isolation resistance			MΩ	> 10 at --- 500 V		
Type of input			Capacitive			
Consumption			See page 6/4			
Dissipated power			W	1.7	1.4	5.6
Isolation	Between channels and ground	V rms	2000 - 50/60 Hz for 1 minute			
	Between channels and internal logic	V rms	2000 - 50/60 Hz for 1 minute			

(1) Characteristics at 60 °C for 60 % I/O loading or at 30 °C for 100 % I/O loading.



Characteristics of solid state output modules (1)							
Type of modules		TSX	DSZ 08T2K	DMZ 28DTK	DSZ 08T2	DMZ 28 DT	DSZ 32T2
<b>Number of outputs</b>			8	12	8	12	32
<b>Connection</b>			HE 10 connector		Screw terminal block		
<b>Nominal output values</b>	Voltage	<b>V</b>	--- 24				
	Current	<b>A</b>	0.5				
	Tungsten filament lamp	<b>W</b>	10				
<b>Limit output values</b>	Voltage	<b>V</b>	19...30 (possible up to 34 V, limited at 1 hour per 24 hours)				
	Current (for U = 30 ou 34 V)	<b>A</b>	0.625				
<b>Logic</b>			Positive, current source				
<b>Leakage current at state 0</b>		<b>mA</b>	< 0.5 (< 2 for accidental disconnection of the 0 V module)				
<b>Residual voltage</b>		<b>V</b>	< 0.3 (for I = 0.5 A)				
<b>Minimum load impedance</b>		<b>Ω</b>	48				
<b>Response time</b> (2)	From state 1	<b>ms</b>	< 0.5				
	From state 0	<b>ms</b>	< 0.5				
<b>Switching frequency on inductive load</b>		<b>Hz</b>	< 0.6/LI <sup>2</sup>				
<b>Built-in protection</b>	Against overvoltages		By Zener diode				
	Against reverse polarity		By reverse mounted diode on power supply. Provide 1 fast-blow fuse on the + --- 24 V of the preactuator supply.				
	Against short-circuits and overloads	<b>A</b>	By current limiter and thermal breaker 0.75 ≤ Id ≤ 2				
<b>Paralleling of outputs</b>			2 outputs max.				
<b>Consumption</b>			See page 6/4				
<b>Nominal dissipated power</b>	Via module	<b>W</b>	3.5				3.2
	Via channel at 1	<b>W</b>	0.15				
<b>Isolation</b> (test voltage)	Between output and ground	<b>V rms</b>	1500 - 50/60 Hz for 1 minute				
	Between outputs and internal logic	<b>V rms</b>	1500 - 50/60 Hz for 1 minute				
	Insulation resistance	<b>MΩ</b>	> 10 at --- 500 V				

Type of modules		TSX DSZ 04T22	TSX DMZ 16DTK	TSX DMZ 64DTK	
<b>Nombre de sorties</b>		4	8	32	
<b>Connection</b>		Screw terminal block		HE 10 connector	
<b>Nominal output values</b>	Voltage	<b>V</b>	--- 24		
	Current	<b>A</b>	2	0.1	
	Tungsten filament lamp	<b>W</b>	15	10	1.2 max.
<b>Limit output values</b>	Voltage	<b>V</b>	19...30 (possible up to 34 V, limited at 1 hour per 24 hours)		
	Current (for U = 30 ou 34 V)	<b>A</b>	2.5	0.625	0.25
<b>Logic</b>			Positive, current emis		
<b>Leakage current at state 0</b>		<b>mA</b>	< 0.5	< 0.5 (< 2 for accidental disconnection of the 0 V module)	< 0.1
<b>Residual voltage</b>		<b>V</b>	< 0.8 (for I = 2 A)	< 0.3 (for I = 500 mA)	< 1.5
<b>Minimum load impedance</b>		<b>Ω</b>	12	48	220
<b>Response time</b> (2)	From state 1	<b>ms</b>	< 1	< 0.5	< 0.25
	From state 0	<b>ms</b>	< 1	< 0.5	< 0.25
<b>Switching frequency on inductive load</b>		<b>Hz</b>	< 0.5/LI <sup>2</sup>	< 0.6/LI	< 0.5/LI
<b>Built-in protection</b>	Against overvoltages		By Zener diode		
	Against reverse polarity		By reverse mounted diode on power supply. Provide 1 fast-blow fuse on the + --- 24 V of the preactuator supply.		
	Against short-circuits and overloads	<b>A</b>	By current limiter and electronic breaker 2.6 ≤ Id ≤ 5	By current limiter and thermal breaker 0.75 ≤ Id ≤ 2	By current limiter and electronic breaker 0.125 ≤ Id ≤ 0.185
<b>Paralleling of outputs</b>			2 outputs max.		3 outputs max.
<b>Consumption</b>			See page 6/4		
<b>Nominal dissipated power</b>	Via module	<b>W</b>	3.8	3	3.5
	Via channel at 1	<b>W</b>	1.15 (U = 24 V)	0.15	< 0.7 (U = 24 V)
<b>Isolation</b> (test voltage)	Between output and ground	<b>V rms</b>	1500 - 50/60 Hz for 1 minute		
	Between outputs and internal logic	<b>V rms</b>	1500 - 50/60 Hz for 1 minute		
	Insulation resistance	<b>MΩ</b>	> 10 at --- 500 V		

(1) Characteristics at 60 °C for 60 % I/O loading or at 30 °C for 100 % I/O loading.  
 (2) All outputs have fast demagnetisation circuits for electro-magnets. Discharge time of electro-magnets < L/R.

### Characteristics of relay outputs (connection via screw terminal block) <sup>(1)</sup>

Type of modules				TSX DSZ 08R5	TSX DMZ 28DR	TSX DMZ 28AR	TSX DSZ 32R5				
Number of outputs				8	12	12	32				
Operating limit values				~	V 19...264						
				---	V 10...34						
Type of contact				NO							
Thermal current				A	3 (5 A max. per common of each group of channels)				2 (7 A max. per common of each group of 16 channels)		
a.c. load	Resistive AC-12	Voltage	V	24	48	110	220	24	48	110...120	200...240
		Power	VA	50 (8)	50 (10) 110 (7)	110 (10) 220 (7)	220 (10)	50 (6)	100 (5)	200 (4)	200 (6)
	Inductive AC - 14 and AC - 15	Voltage	V	24	48	110	220	24	48	110...120	200...240
		Power	VA	24 (7)	10 (15) 24 (13)	10 (16) 50 (12) 110 (3)	10 (16) 50 (14) 110 (10), 220 (2)	24 (2)	50 (2)	10 (9) 50 (3)	10 (11) 50 (5)
d.c. load	Resistive DC-12	Voltage	V	24							
		Power	W	24 (1 x 10 <sup>6</sup> cycles of operations) 40 (0.3 x 10 <sup>6</sup> cycles of operations)				12 (0.5 x 10 <sup>6</sup> cycles of operations) 24 (0.3 x 10 <sup>6</sup> cycles of operations) 48 (0.15 x 10 <sup>6</sup> cycles of operations)			
	Inductive DC - 13 (L/R = 60 ms)	Voltage	V	24							
		Power	W	10 (2 x 10 <sup>6</sup> cycles of operations) 24 (1 x 10 <sup>6</sup> cycles of operations)				6 (0.12 x 10 <sup>6</sup> cycles of operations) 12 (0.06 x 10 <sup>6</sup> cycles of operations) 24 (0.03 x 10 <sup>6</sup> cycles of operations)			
Response time	Activation	ms	< 10								
	Desactivation	ms	< 10								
Built-in protection	Against short-circuits and overloads	None, obligatory mounting of a fast blow fuse per channels or groups of channels									
	Against inductive overvoltages in ~	None, obligatory parallel mounting of a RC circuit or an MOV (ZNO) peak limiter appropriate to the voltage									
	Against inductive overvoltages in ---	None, obligatory mounting of a flywheel diode on the terminals of each preactuator									
Consumption				See page 6/4							
Type of modules				TSX DSZ 08R5	TSX DMZ 28DR	TSX DMZ 28AR	TSX DSZ 32R5				
Dissipated power per module				W	1.5	4.5	5.6	3.5			
Isolation (test voltage)	Between outputs and ground	V rms	2000 - 50/60 Hz for 1 minute								
	Between outputs and internal logic	V rms	2000 - 50/60 Hz for 1 minute								
	Insulation resistance	MΩ	> 10 at --- 500 V								

(1) Characteristics at 60 °C for 60 % I/O loading or at 30 °C for 100 % I/O loading.

- (2) For 0.1 x 10<sup>6</sup> operations.
- (3) For 0.15 x 10<sup>6</sup> operations.
- (4) For 0.2 x 10<sup>6</sup> operations.
- (5) For 0.25 x 10<sup>6</sup> operations.
- (6) For 0.3 x 10<sup>6</sup> operations.
- (7) For 0.5 x 10<sup>6</sup> operations.
- (8) For 0.7 x 10<sup>6</sup> operations.
- (9) For 0.8 x 10<sup>6</sup> operations.
- (10) For 1 x 10<sup>6</sup> operations.
- (11) For 1.2 x 10<sup>6</sup> operations.
- (12) For 1.5 x 10<sup>6</sup> operations.
- (13) For 2 x 10<sup>6</sup> operations.
- (14) For 3 x 10<sup>6</sup> operations.
- (15) For 5 x 10<sup>6</sup> operations.
- (16) For 10 x 10<sup>6</sup> operations.

# Modicon TSX Micro automation platform

## Discrete I/O modules

## References

## Discrete input modules



TSX DEZ 12D2

Nature of current	Input voltage	Modularity (no. of channels)	Format	Connection	Reference	Weight kg
≡	24 V (positive logic IEC type 2)	12	Half	Via HE 10 type connector (1)	<b>TSX DEZ 12D2K</b>	0.160
		32	Standard	Via screw terminal block (supplied)	<b>TSX DEZ 32D2</b>	0.290
	24 V ((positive logic IEC type 1 or (negative logic)	12	Half	Via screw terminal block (supplied)	<b>TSX DEZ 12D2</b>	0.230
~	100...120 V IEC type 2	8	Half	Via screw terminal block (supplied)	<b>TSX DEZ 08A4</b>	0.230
	200...240 V IEC type 1	8	Half	Via screw terminal block (supplied)	<b>TSX DEZ 08A5</b>	0.230

## Discrete output modules



TSX DSZ 08T2K

Nature of current	Output voltage	Modularity (no. of channels)	Format	Connection	Reference	Weight kg
≡ solid state protected	24 V/0.5 A protected	8	Half	Via HE 10 type connector (1)	<b>TSX DSZ 08T2K</b>	0.180
				Via screw terminal block (supplied)	<b>TSX DSZ 08T2</b>	0.240
			32	Standard	Via screw terminal block (supplied)	<b>TSX DSZ 32T2</b>
	24 V/2 A protected	4	Half	Via screw terminal block (supplied)	<b>TSX DSZ 04T22</b>	0.310
≡~ relay, not protected	≡ 24 V or ~ 24...240 V	8	Half	Via screw terminal block (supplied)	<b>TSX DSZ 08R5</b>	0.260
		32	Standard	Via screw terminal block (supplied)	<b>TSX DSZ 32R5</b>	0.580

## Discrete I/O modules



TSX DMZ 16DTK



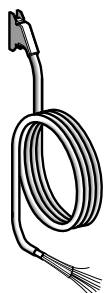
TSX DMZ 28DT TSX DMZ 64DTK

Nombre d'E/S	Number, type of inputs	Number, type of outputs	Format	Connection	Reference	Weight kg
16	8, ≡ 24 V (positive logic IEC type 1)	8, solid state ≡ 24 V/0.5 A protected	Half	Via HE 10 type connector (1) and enclosed terminal block	<b>TSX DMZ 16 DTK</b>	0.160
28	16, ≡ 24 V (positive logic IEC type 1)	12, solid state ≡ 24 V/0.5 A protected	Standard	Via HE 10 type connector (1)	<b>TSX DMZ 28DTK</b>	0.330
				Via screw terminal block (supplied)	<b>TSX DMZ 28DT</b>	0.465
	16, ≡ 24 V (positive logic IEC type 1 or negative logic)	12, relay 50 VA not protected	Standard	Via screw terminal block (supplied)	<b>TSX DMZ 28DR</b>	0.500
				Via screw terminal block (supplied)	<b>TSX DMZ 28AR</b>	0.500
64	32, ≡ 24 V (positive logic IEC type 1)	32, solid state ≡ 24 V/0.1 A protected	Standard	Via HE 10 type connector (1)	<b>TSX DMZ 64DTK</b>	0.410

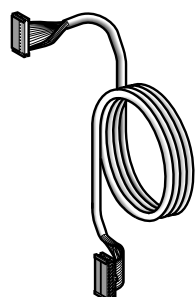
(1) Module supplied with HE 10 type connector cover.

# Modicon TSX Micro automation platform

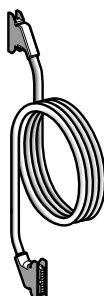
## Discrete I/O modules



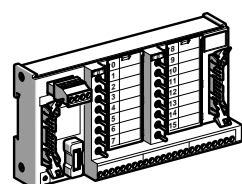
TSX CDP ●●1



TSX CDP ●●2



TSX CDP ●●3



ABE 7TES160



TSX BLZ H01



TSX BLZ L01

## References (continued)

## Connecting cables for I/O modules fitted with HE 10 type connectors

Description	Constitution Use	Section	Length	Reference	Weight kg
<b>20-wire preformed cable</b> (500 mA max.)	1 HE 10 type connector, moulded 1 end free with wires identified	0.324 mm <sup>2</sup>	3 m	<b>TSX CDP 301</b>	0.405
			5 m	<b>TSX CDP 501</b>	0.720
			10 m	<b>TSX CDP 1001</b>	1.210
<b>Preformed connection cables</b> (100 mA max.)	2 HE 10 type connectors for Telefast 2 system	0.08 mm <sup>2</sup>	1 m	<b>TSX CDP 102</b>	0.090
			2 m	<b>TSX CDP 202</b>	0.170
			3 m	<b>TSX CDP 302</b>	0.250
<b>Connecting cables</b> (500 mA max.)	2 HE 10 type connectors, moulded, for Telefast 2, Tego Dial et Tego Power systems	0.324 mm <sup>2</sup>	0.5 m	<b>TSX CDP 053</b>	0.085
			1 m	<b>TSX CDP 103</b>	0.150
			2 m	<b>TSX CDP 203</b>	0.280
			3 m	<b>TSX CDP 303</b>	0.410
			5 m	<b>TSX CDP 503</b>	0.670
			10 m	<b>TSX CDP 1003</b>	1.230

## Simulator sub-base for I/O modules fitted with HE 10 type connectors

Description	Use	Reference	Weight kg
<b>Telefast 2 16-channel simulator sub-base for discrete inputs/outputs</b>	Has 2 HE 10 type connectors which enable it to be inserted between the PLC I/O module and the ABE 7H/P/R/S Telefast 2 I/O sub-base. Used for display, forcing, inhibition or continuity of discrete I/O	<b>ABE 7TES160</b>	0.350

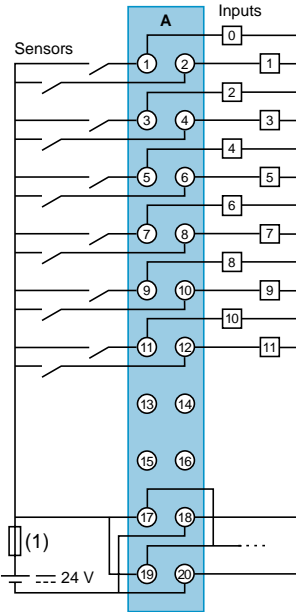
## Replacement parts

Description	Use	Reference	Weight kg
<b>Screw terminal blocks</b> (supplied with I/O modules with screw terminal block connection)	For half-format modules	<b>TSX BLZ H01</b>	0.055
	For standard format modules	<b>TSX BLZ L01</b>	0.115

### Connections

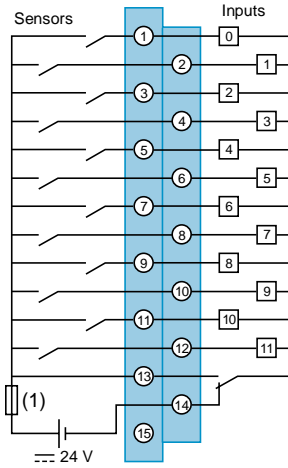
#### TSX DEZ 12D2K

Positive logic

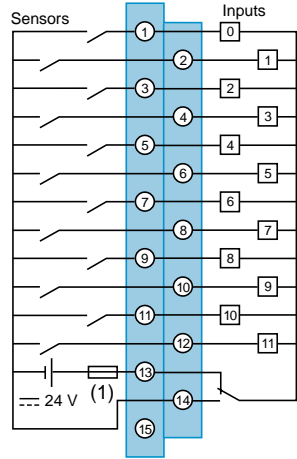


#### TSX DEZ 12D2

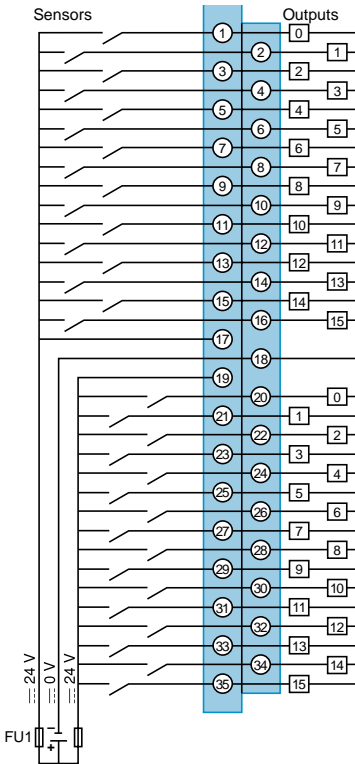
Positive logic



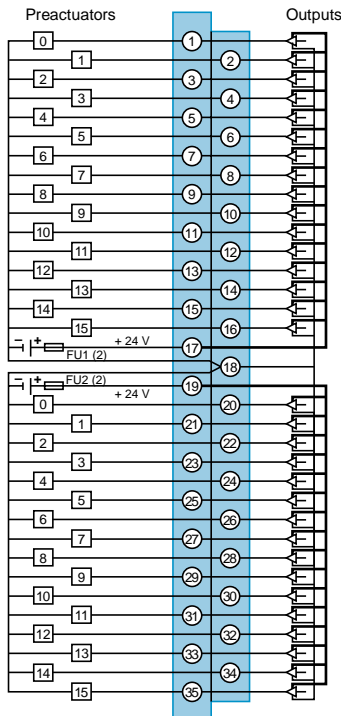
Negative logic



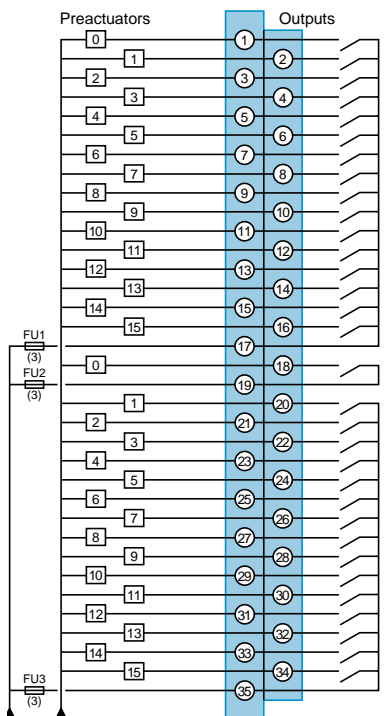
#### TSX DEZ 32D2



#### TSX DSZ 32T2



#### TSX DSZ 32R5



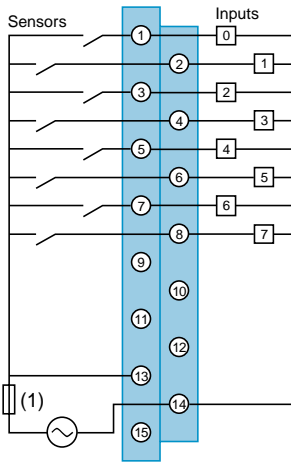
- (1) 0.5 A fast blow fuse
- (2) 10 A fast blow fuse
- (3) Fast blow fuses, rated according to the load

# Modicon TSX Micro automation platform

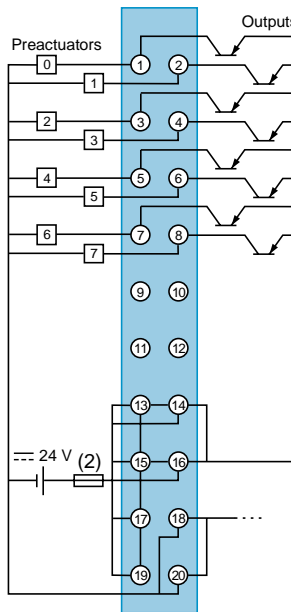
## Discrete I/O modules

2  
2.1

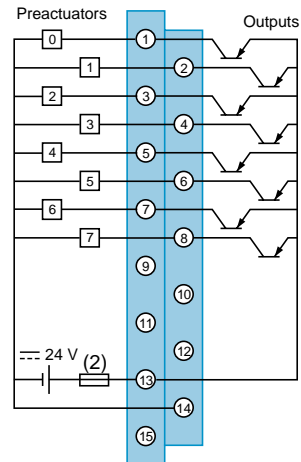
**TSX DEZ 08A4/08A5**



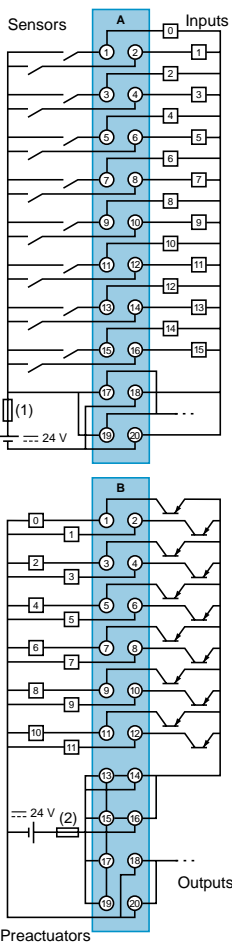
**TSX DSZ 08T2K**



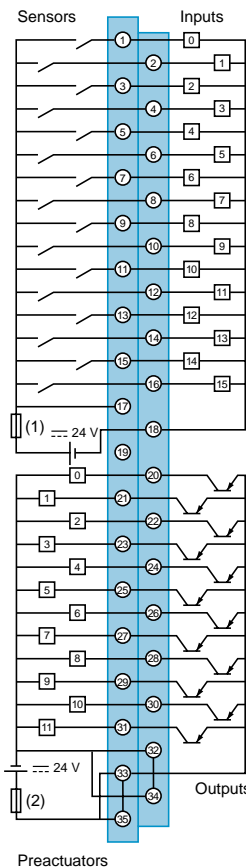
**TSX DSZ 08T2**



**TSX DEZ 28DTK**

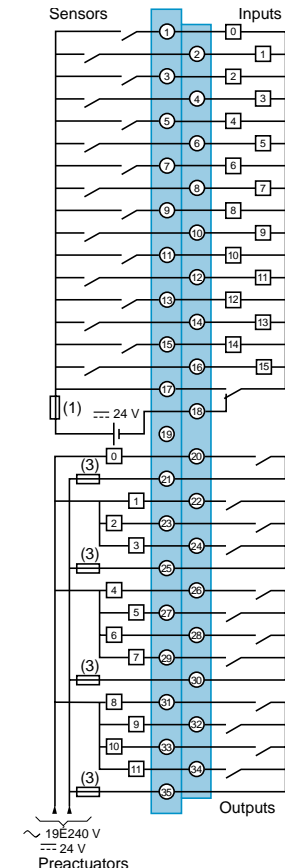


**TSX DMZ 28DT**



**TSX DMZ 28DR**

**Positive logic (Sink)**



**Negative logic (Source):**

- + 24 V = terminal 17
- 24 V = terminal 18 = common

(1) 0.5 A fast blow fuse

(2) 10 A fast blow fuse

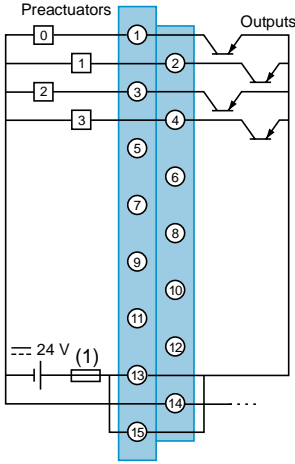
(3) Fast blow fuses, rated according to the load

# Modicon TSX Micro automation platform

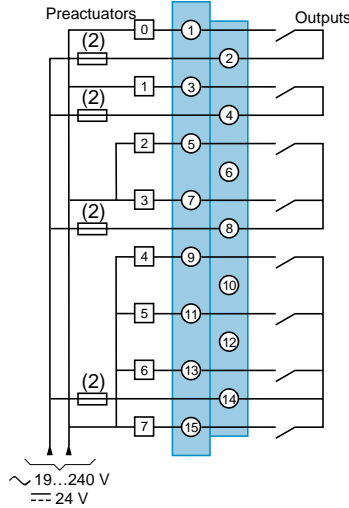
## Discrete I/O modules

**Connections** (continued)

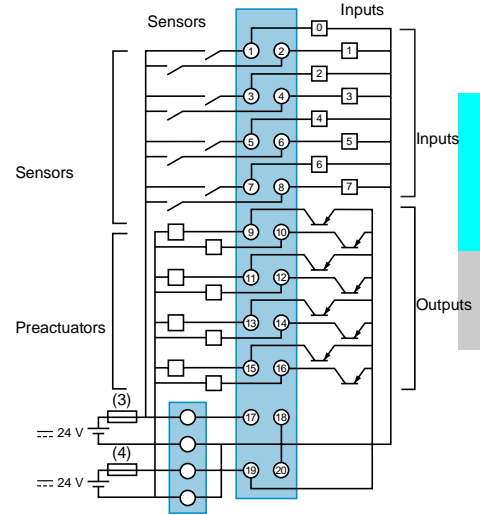
**TSX DSZ 04T22**



**TSX DSZ 08R5**

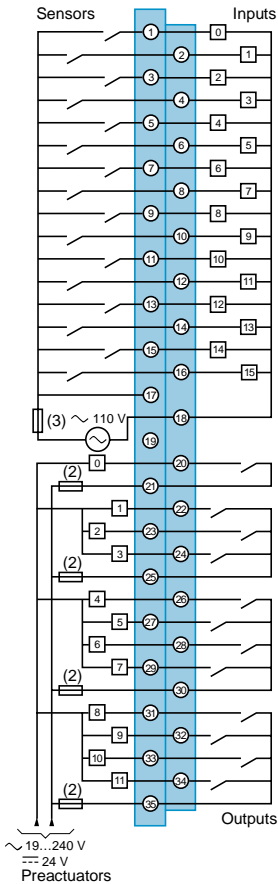


**TSX DMZ 16DTK**

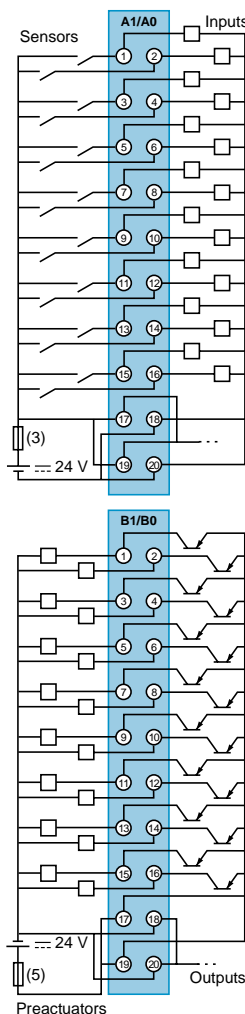


2  
2.1

**TSX DMZ 28AR**



**TSX DMZ 64DTK**



N° of channels

A1	A0
16	0
17	1
18	2
19	3
20	4
21	5
22	6
23	7
24	8
25	9
26	10
27	11
28	12
29	13
30	14
31	15

N° of channels

B1	B0
16	0
17	1
18	2
19	3
20	4
21	5
22	6
23	7
24	8
25	9
26	10
27	11
28	12
29	13
30	14
31	15

- (1) 0.5 A fast blow fuse
- (2) Fast blow fuses, rated according to the load
- (3) 0.5 A fast blow fuse
- (4) 6.3 A fast blow fuse
- (5) 2 A fast blow fuse

**20-wire preformed cable TSX DEZ/DSZ/DMZ ●●●K**

Correspondence between HE 10 connector pin and colour of wire

1	white	11	grey/pink
2	brown	12	red/blue
3	green	13	white/green
4	yellow	14	brown/green
5	grey	15	white/yellow
6	pink	16	yellow/brown
7	blue	17	white/grey
8	red	18	grey/brown
9	black	19	white/pink
10	purple	20	pink/brown

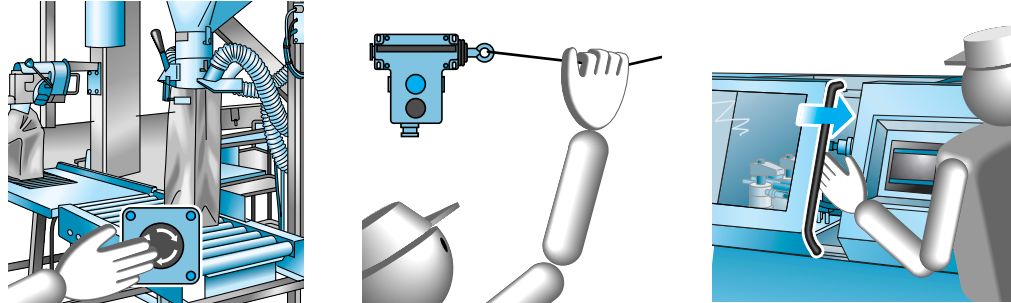
# Modicon TSX Micro automation platform

## Use of Preventa safety modules

2  
2.1

### Safety

Production workshops and technical building installations are subject to increasing requirements in terms of machine safety



A good machine is a safe machine, combining:

- Safety of personnel (machine is not dangerous).
- Availability of the production tool (machine operational at any time).
- Safety is achieved by:
  - simultaneously optimising safety and availability,
  - using basic principles: redundancy, self-monitoring, etc,
  - considering reliability (failure determining the behavior of the machine in a specified position, positive safety features),
  - ease of maintenance.

### The machinery directive and the work equipment directive

#### The machinery directive

**A machine manufacturer is required to conform to the machinery directive.** The machinery directive (89/392/EEC, 91/36/EEC, 93/44/EEC and 93/68/EEC) is designed to ensure the free circulation of machinery and safety components in European Union countries and to improve the level of safety for personnel.

Harmonised European standards establish technical specifications which comply with the minimum safety requirements defined in the corresponding directive.

Manufacturers must produce machinery which conforms to safety requirements.

#### The work equipment directive

**The user is required to ensure that his range of machines conforms to the use of work equipment by workers at work directive.** Directive 89/655/EEC lays down the minimum objectives for protection in the working environment and in particular concerns the use of products. The directive specifies the general framework of preventative measures which should be taken in the workplace.

### Safety and automated systems

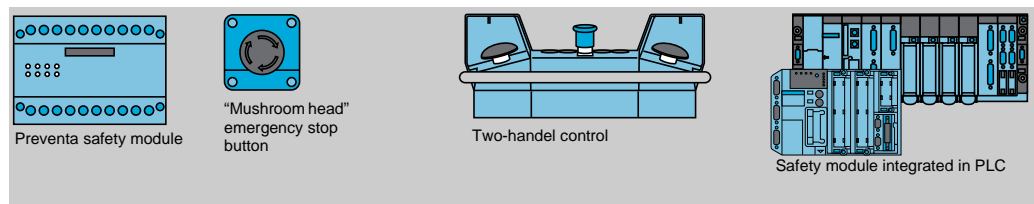
All dangerous areas must be identified and have restricted access, controlled in a secure manner, ie. any breakdown or careless operation must leave the automated system in a safe position.

It should be noted that the use of safety products does not necessarily mean that the machine conforms to the machinery directive.

It is the operation, wiring, compatibility and scheme used, which make the entire machine safe. It is more important to think in terms of safety solutions rather than safety products.

### Groupe Schneider, safety specialists

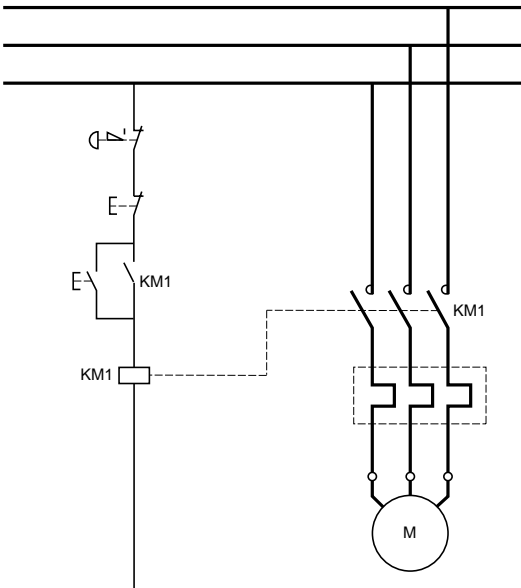
Groupe Schneider, specialists in safety, has a range of several thousand products, all concerned directly or indirectly with safety. Some of these products are exclusively designed for safety.



For further details on components for safety applications, please consult our specialist catalogue.



### Non-controlled safety systems



The control signal from the protection device (emergency stop pushbutton illustrated to the left) acts directly on the power contactor of the machine.

In this type of scheme, the risks of simple faults are:

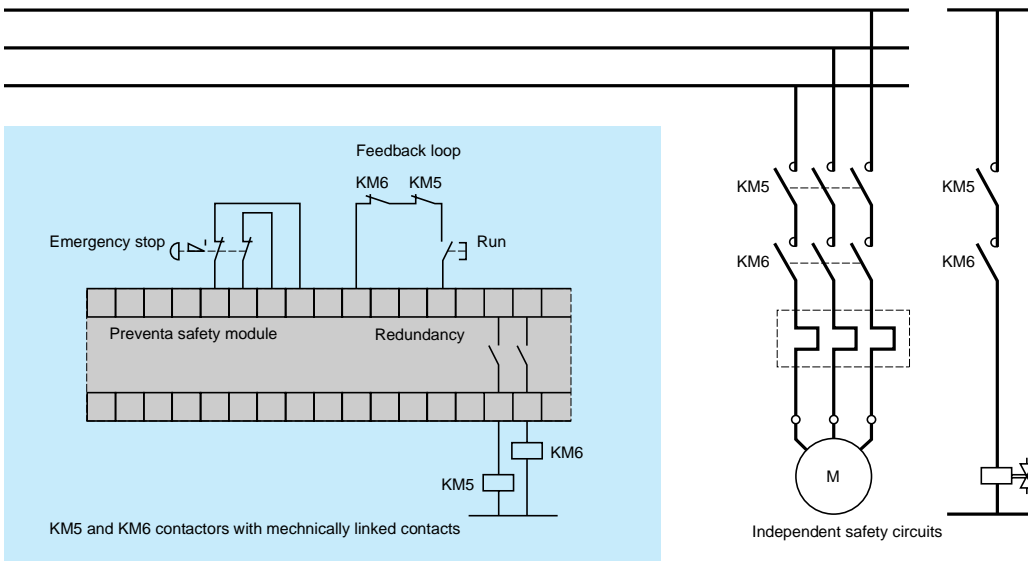
- emergency stop button being shorted.
- KM1 contactor sticking.

When the operator presses an emergency stop button, the instruction is not processed, and another sequence can begin following the emergency stop, despite the presence of the fault.

**In the case of failure, the safety function (1) is compromised.** Therefore, a reliable intermediate relay system must be used.

(1) A safety function is a function whose non-execution or untimely execution results in the immediate placement of the equipment into a non-hazardous position.

### Safety system controlled by a Preventa safety module



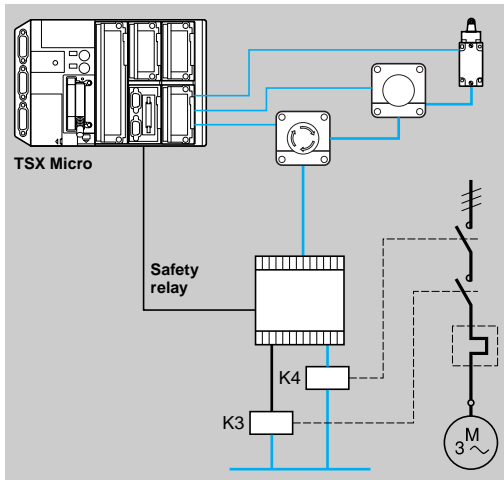
Preventa safety modules provide a **reliable** interposing relay function by eliminating the risks of:

- A control circuit fault (inputs).
- A power circuit fault (outputs).
- A fault on an internal safety module component.

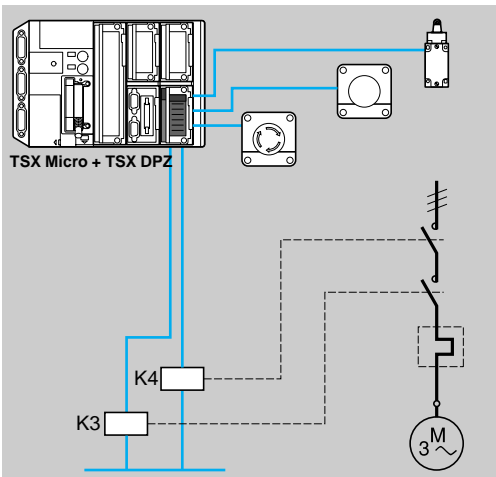
**The safety function remains operative whenever any one of these faults occur.**

For the use of mechanically linked contacts CA2-DN22/DN31, LC1-D09/D18/D25, LP1-D09/D18/D25 with contacts which can be used in the feedback loop, please consult your Regional Sales Office.

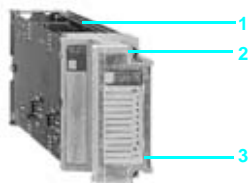
2  
2.1



Solution with safety relay and separate PLC



Simplification using the safety module integrated in the PLC



## Presentation

The TSX DPZ 10D2A Emergency stop monitoring module integrated into the TSX Micro PLC combines:

- The ease of use of Preventa safety modules.
- PLC diagnostics performance.

It also maintains all the advantages of a standard PLC (extended choice of I/O, ease of installation, flexibility of hardware and software developments, etc).

The TSX DPZ 10D2A Emergency stop monitoring module combines a Preventa (XPS) hard-wired safety relay and a discrete acquisition function in a half-slot, for full diagnostics of input contacts and the state of safety circuit outputs.

The TSX DPZ 10D2A safety module is used to interrupt one or more Emergency or safety stop control circuits in complete safety, in accordance with EN 60204-1.

The proven safety of hard-wired technology and the capacity of the TSX Micro PLC make module TSX DPZ 10D2A the optimum solution for making machines more reliable, safer, more compact and more cost-effective.

## Application developments requiring safety systems and PLC diagnostics

Module TSX DPZ 10D2A is suitable for Emergency stop and limit switch monitoring applications, requiring a level of safety up to category 3 (1) according to EN 954-1 (safety related parts of control systems).

(1) For more information on control system safety categories, please consult our specialist catalogue "Preventa safety solutions".

## Description

Emergency stop monitoring module TSX DPZ 10D2A comprises:

- 1 A metal casing with a locking system for fixing the module in its slot. This system is only accessible when the screw terminal block is removed.
- 2 A removable screw terminal block for connecting sensors and preactuators.
- 3 A cover giving access to the screw terminal block, which also holds the marker legend.

# Modicon TSX Micro automation platform

## Safety automation system solutions

### Preventa safety module type TSX DPZ

Safety module TSX DPZ 10D2A provides the following functions:

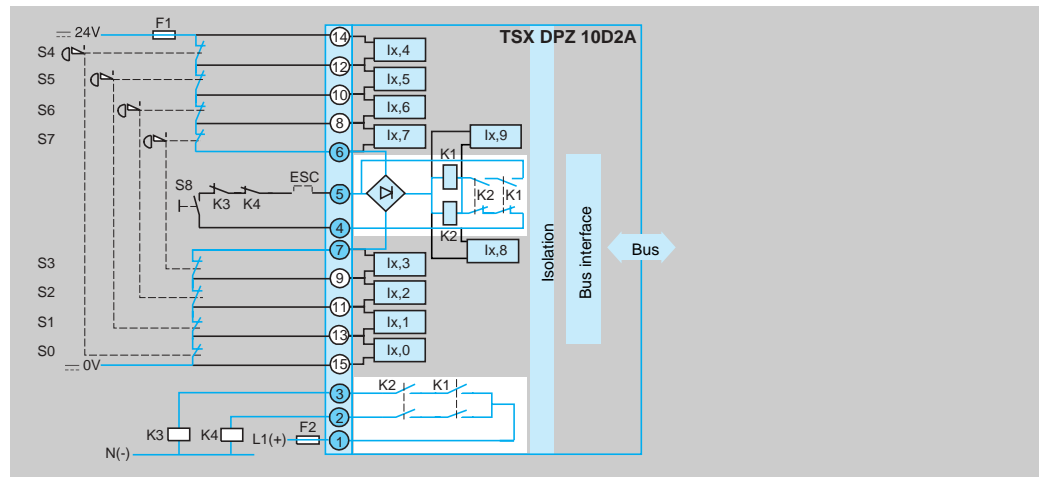
- Monitoring of 1 to 4 dual (or single), N/C (normally closed) contacts in pushbuttons, Emergency stops or limit switches on safety guards for an Emergency stop or immediate safety stop system (category 0 Emergency stop conforming to EN 418).
- Hard-wired safety module identical to Preventa safety module XPS:
  - 2 N/O safety output circuits,
  - category 3.
- Safety module independent of the TSX Micro PLC processor: **the PLC does not affect the safety module.**
- 10 LEDs on the TSX Micro PLC display panel: power supply failure and full diagnostics of the safety system.
- Electronic data acquisition units for full diagnostics of the safety system:
  - reading the state of the 8 pushbutton or limit switch inputs,
  - reading the enable input and the feedback loop,
  - reading the control signal of the 2 safety outputs,
  - monitoring the external power supply for the module.

This electronic data acquisition is designed so that the first failure will not adversely affect the safety function. If the safety system uses more sensors, it is possible to daisy-chain several TSX DPZ 10D2A modules.

#### Schematic diagram

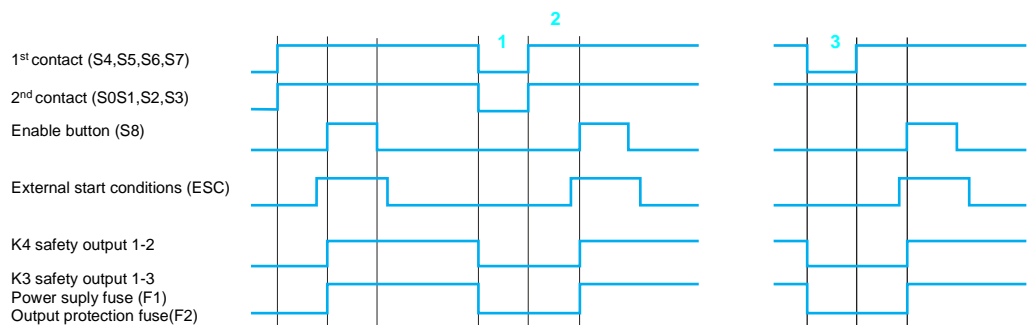
To ensure correct operation of the safety function whatever the first failure, the following must be used :

- At the inputs: Emergency stop pushbuttons or safety limit switches with dual contacts.
- At the outputs: if relaying is required, use relays with guided contacts.
- Module power supply: use an F1 protection fuse (see characteristics on page 2/22).



- 6-7 Control of the safety system.
- 1-2 et 1-3 Safety outputs, volt-free.
- 4-5 Feedback loop and run enable (ESC: additional enable conditions).
- 14-15 Monitoring of module  $\pm$  24 V external power supply.
- 14-12, 12-10, 10-8, 8-6, 7-9, 9-11, 11-13, 13-15 8 read channels for the Emergency stop pushbutton or limit switch contacts

#### Functional diagram



- 1 Emergency stop or limit switch activated.
- 2 Emergency stop reset or limit switch closed.
- 3 Error on contact S0...S3.

## Standards and certifications

Standards	Whole machine	Electrical equipment of industrial machines		EN 60204-1 ou IEC 204-1, EN 292
		Emergency stop device		EN 418
	Product	Safety of machinery: safety related parts of control systems		EN 954-1 category 3, pr EN 954-2, EN 1088 IEC 61508 (SIL 2)
	PLC	Specific requirements		IEC 1131-2 or EN 61131-2, CSA 22-2, UL 508
Certifications				BG, INERIS, INRS, UL, CSA

## General characteristics

Power supply	Nominal voltage	V	≐ 24
	Limit operating voltage	V	≐ 21.6...30
	Error signalling	V	≐ < 16
	Maximum consumption	mA	< 200
Protection via external F1 fuse	Conforming IEC 947-5-1	A	1 (gl)
Consumption on internal 5 V		mA	< 20
Isolation		kV	4 (overvoltage category III, degree of pollution 2)

## Characteristics of discrete inputs

Nominal voltage		V	≐ 24
Modularity	Emergency stop or limit switch discrete inputs		8
	Feedback loop discrete input		1
Logic			Positive
Inrush current		A	10/100 μs
Isolation between input and earth		V rms	1500 - 50/60 Hz for 1 minute
Power	Dissipated in the module	W	< 4.5

## Characteristics of safety relay outputs

Modularity					2 volt-free outputs		
Limit operating voltage	a.c.	V	~ 19...264				
	d.c.	V	≐ 17...250				
Max. thermal current (I the)		A	1.25				
Minimum current		mA	10				
a.c. load	Inductive AC-15 duty	Voltage	V	~ 24	~ 48	~ 110	~ 220
		Power	VA	30	60	140	165
d.c. load	Inductive DC-13 duty (L/R = 100 ms)	Voltage	V	≐ 24			
		Power	VA	30			
Response time		ms	< 100				
Type of contacts					AgNi gold flashed		
External output protection via F2 fuse	Conforming IEC 947-5-1	A	4 (gl)				
Isolation between input and earth	Insulation voltage conforming DIN VDE 0110 part 2	V	300				
	Test voltage	V rms	2000-50/60 Hz for 1 minute				

## Environment

Temperatures	Operation	°C	- 10 °C...+ 60 °C
	Stockage	°C	- 25 °C...+ 60 °C
Degree of protection			IP 20 conforming IEC 529
Connecting cable c.s.a.	Without cable end	mm <sup>2</sup>	1 x 0.8 minimum
	With cable end	mm <sup>2</sup>	2 x 1 maximum

## Reference

Inputs number	Voltage	Safety outputs	Connection Format	Reference	Weight kg
4 Emergency stops or limit switches (dual or single contacts) 1 Start button	≐ 24 V	2 "N/O" (volt-free) 1.25 A (I the)	Via screw terminal block (suplied) Half-format	TSX DPZ 10D2A	0.280



TSX DPZ 10D2A

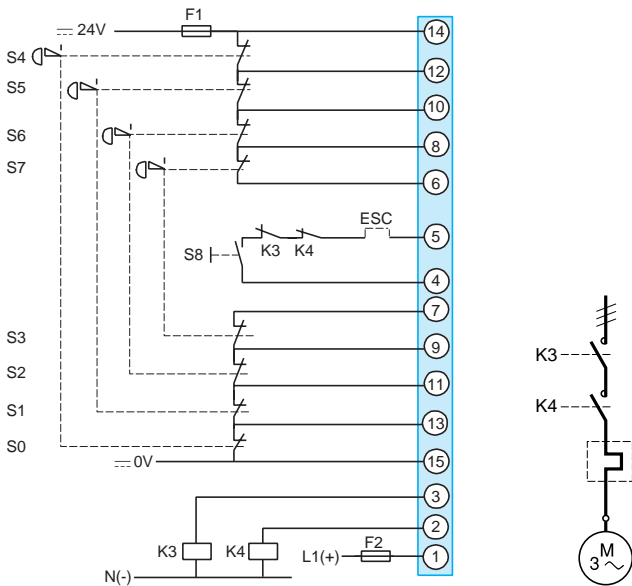
# Modicon TSX Micro automation platform

## Safety automation system solutions

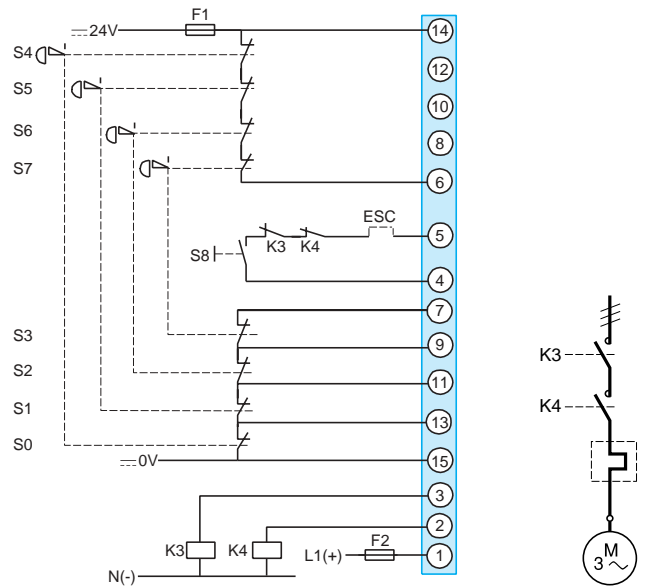
### Preventa safety module type TSX DPZ

**Category 3 wiring diagrams (redundant inputs and outputs): recommended applications**

**Connection of 4 sensors with dual contacts**



**Connection of 4 sensors with dual contacts for existing installations**

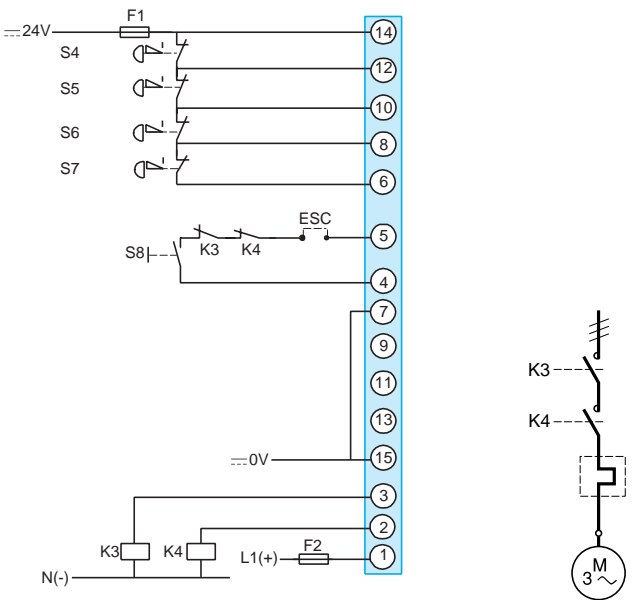


The states of all the contacts in the input circuit are read by the PLC. The consistency test carried out by the PLC program on the input contacts enables it to signal and locate precisely the faulty contact(s).  
When using less than 4 dual contacts, the input terminals not in use must be linked. For example, if contacts S0 and S4 are not in use, a bridge is required between terminals 14 and 12 and terminals 13 and 15.

Suitable for use with existing wiring; with one contact on the safety module and one contact for diagnostics, this wiring enables global reading of the state of contacts S4 to S7 and individual reading of contacts S0 to S3. The consistency test carried out by the PLC program on the inputs enables it to signal any inconsistency with partial location of the fault.

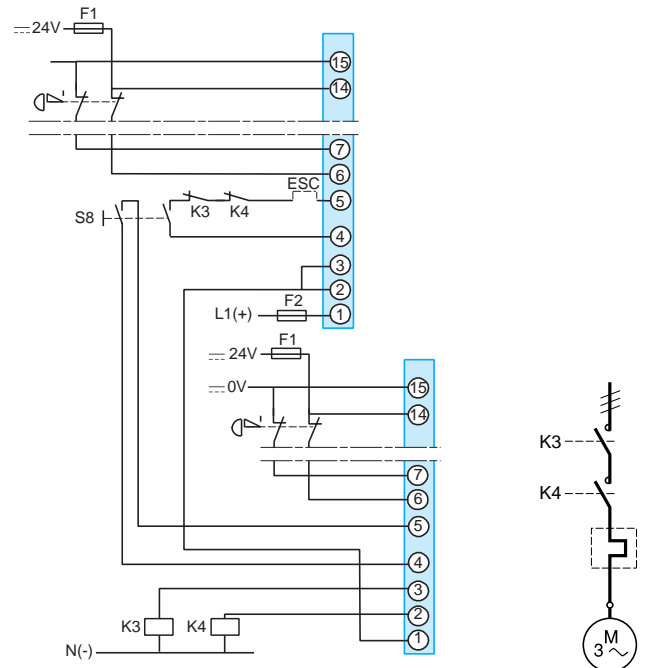
**Wiring diagram with single contacts**

**Connection of 4 sensors with dual contacts**



**Connecting TSX DPZ 10D2A modules in series**

**Connection of 4 sensors with dual contacts for existing installations**



Not all faults are detected. A short-circuit on a pushbutton or limit switch is not detected.  
When using less than 4 single contacts, the input terminals not in use must be linked.  
For example, if contact S5 is not in use, a bridge is required between terminals 10 and 12.

The connection of safety relay outputs in series enables diagnostics for up to 32 single or dual contact pushbuttons or limit switches. The number of modules connected in series is limited by the number of slots available on the TSX Micro PLC.

# Modicon TSX Micro automation platform

## TSX STZ extension module for Nano PLCs

2  
2.1

### Presentation

The TSX STZ 10 I/O extension module is used to connect up to 4 Nano devices, which may be PLC bases, analogue I/O extensions or a discrete I/O extension. These remotely installed Nano bases or extensions (200 metres maximum from the TSX Micro PLC) can be used as :

- I/O of the Micro PLC. In this case the number of I/O managed by the TSX Micro PLC can be increased by 96 discrete I/O or 12 analogue I/O.
- Local "slave" PLCs (1) with data exchanges from application to application between Micro and each Nano base (the maximum number of Nano bases is limited to 3). In this application, an FTX 117 terminal or PL7 07 software is required for software installation on Nano "slave" PLCs.

It is possible to combine both types of configuration on one link. The TSX STZ 10 half-format module is inserted in position 4 which means that its use excludes integration of the TSX SAZ 10 AS-Interface bus master module.

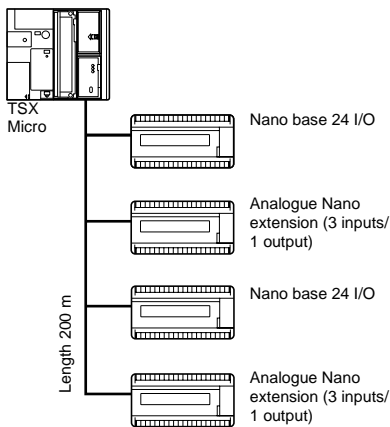
### Remote discrete I/O configuration

Remote discrete or analogue I/O configuration enables :

- A reduction in wiring costs in installations spread over a wide area.
- The I/O status display to be positioned close to the operative part.
- The application to be developed as required by adding I/O blocks.

It is not necessary to configure or program the Nano bases. To simplify use of these architectures, the Nano I/O are considered, by the PL7 Micro/Junior/Pro programming software, to be objects integrated in the TSX Micro PLC.

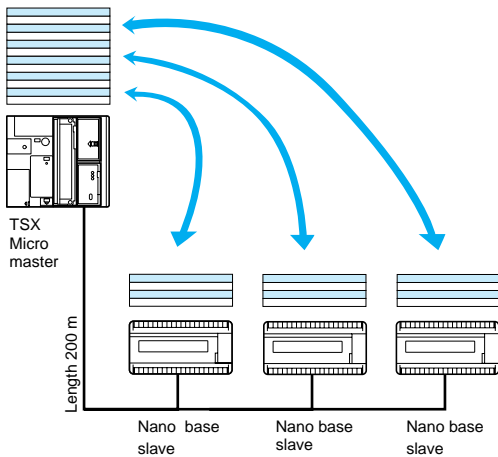
Configuration:  
One to four Nano PLC bases with 10, 16 or 24 I/O, i.e. a maximum of 96 discrete I/O.



### Local "slave" PLC configuration

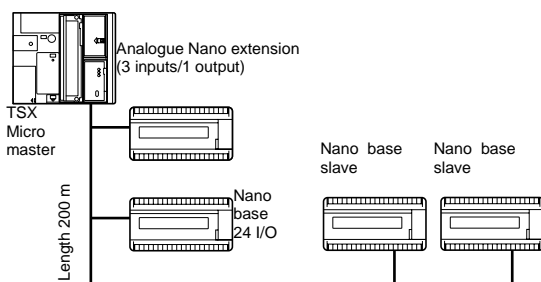
Apart from the advantages already mentioned, this type of configuration enables each sub-assembly or process block to be handled independently, and only the data necessary for the synchronization and control of sub-assemblies to be handled at the highest level. This structure also ensures better availability in the event of sub-assembly failure or repair.

This configuration enables application data to be exchanged between a TSX Micro PLC and up to three Nano PLCs. This data, set at two read words and two write words per Nano, is exchanged transparently with the Micro master. Slave Nano PLCs are programmed and set up in PL7 language, using an FTX 117 dedicated terminal or PL7 07 software.



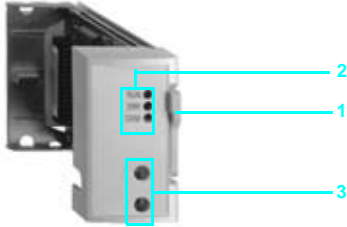
### Mixed configuration

It is possible to combine both types of configuration on one link, in which case the maximum number of Nano PLCs is limited to 4.



(1) Cannot be used with Nano extensions.

### Description



The front panel of the TSX STZ 10 I/O extension module for Nano PLCs comprises :

- 1 Locking system for fixing the module in its slot.
- 2 Three indicator lamps to display module operating status :
  - RUN : correct operation of module,
  - ERR : error in module,
  - COM : display of link traffic .
- 3 Opening for cable routing.

Location: position 4 of TSX Micro PLC base.

### Selection of Nano bases or extensions

Type	Power supply		Type of discrete input		Type of discrete output			1 analogue channel modules as extension		References
	~ 100/240 V	≡ 24 V	≡ 24 V	~ 115 V	≡ 24 V transistors		Relay	Inputs	Outputs	
					Negative logic	Positive logic	≡ 24 V ~ 24/240 V			
10 discrete I/O bases (6 inputs, 4 outputs) (1)										TSX 07 30 1028
										TSX 07 30 1008
										TSX 07 30 1002
										TSX 07 30 1022
16 discrete I/O bases (9 inputs, 7 outputs) (1)										TSX 07 30 1012
										TSX 07 31 1628
										TSX 07 31 1648
										TSX 07 31 1608
										TSX 07 31 1602
24 discrete I/O bases (14 inputs, 10 outputs) (1)										TSX 07 31 1622
										TSX 07 31 1612
										TSX 07 31 2428
										TSX 07 31 2408
										TSX 07 31 2402
Extensions 9 inputs/7 outputs (2)										TSX 07 31 2422
										TSX 07 31 2412
										TSX 07 EX 1628
Extensions 14 inputs/10 outputs (2)										TSX 07 EX 1612
										TSX 07 EX 2428
Analogue extensions (3 inputs, 1 output) (3)										TSX 07 EX 2412
										TSX AMN 4000
										TSX AMN 4001

Function performed

(1) Maximum 4 bases with remote discrete I/O configuration, maximum 3 bases with "slave" PLC configuration.

(2) Maximum 1 discrete extension..

(3) Maximum 3 analogue extensions.

### Reference

#### I/O extension module for Nano PLCs



TSX STZ 10

The TSX STZ 10 half-format module can be inserted in position 4 which means that its use excludes integration of the TSX SAZ 10 AS-Interface bus module.

Description	Use	Format	Connections	Reference	Weight kg
<b>Remote discrete I/O extension module</b>	TSX 37 10 TSX 37 21/22 PLCs	Half	Via terminal block integrated in module	TSX STZ 10	0.180

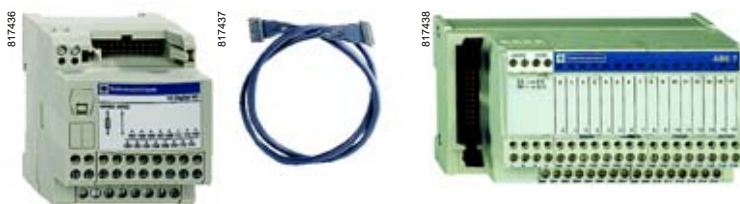
# Modicon TSX Micro automation platform

Telefast® 2 pre-wired system  
Discrete input and/or output sub-bases

2

2.2

**Applications** Discrete input or output



<b>Relay amplification</b>	-				
<b>Equipped with relay</b>	-				
<b>Control voltage</b>	~ 24 V				
<b>Output voltage</b>	~ 24 V				
<b>Output current per channel</b>	0.5 A				
<b>Modularity</b>	16		8 -12 -16		
<b>No. of terminals per channel</b>	1	1 to 3	1	2	
<b>Type of connection terminals</b>	Signal	Signal, common (configurable ~ 24 V or 0 V)	Signal	Signal, Common (configurable ~ 24 V or 0 V)	
<b>Connectors</b>	20-way HE10 connector				
<b>Terminal block</b>	No		No		
removable	No		No		
type of terminals	Screw		Screw or spring		
<b>Additional or optional* function</b>	Low cost version fitted with cable	Miniature sub-bases	Compact size *	Type 2 input * (1)	Isolator *
<b>Device type</b>	ABE-7H20E●●● 7H32E●●●	ABE-7H16C●●	ABE-7H●●R1● 7H●●R50	ABE-7H●●R2●	ABE-7H●●S21
<b>Pages</b>	2/34		2/35		

(1) For TSX Micro and Premium PLCs.



**Discrete input and output**



-		Removable electromechanical or solid state	
-		No	Yes
= 24 V			
= 24 V		= 24 V (solid state) = 5... 24 V, ~ 230 V (electromechanical)	
0.5 A	0.5 A	5 A (E.M.), 2 A (solid state)	5 A (th)
16		16 8 passive inputs 8 relay outputs	
1	2	1	
Signal, 2 common connections between the inputs and the outputs.	Signal, common, 2 common connections between the inputs and the outputs.	1 N/O contact and common, 4 output channels 2 input connection points	
20-way HE10 connectors			
No			
Screw			
Miniature sub-base Synergy with Tego Power and API Micro PLC		Miniature sub-base - Common per 4 channels Synergy with Tego Power and API Micro PLC	
<b>ABE-7H16CM11</b>	<b>ABE-7H16CM21</b>	<b>ABE-7P16M111</b>	<b>ABE-7R16M111</b>
2/34		2/38	2/37

# Modicon TSX Micro automation platform

Telefast® 2 pre-wired system  
Discrete input and output sub-bases

2

2.2

**Applications**      **Discrete output**



<b>Relay amplification</b>	Electromechanical, fixed			Electromechanical or solid state		
<b>Equipped with relay</b>	Yes		Yes	No	No	
<b>Control voltage</b>	~ 24 V					
<b>Output voltage</b>	~ 5 V... 30 V ~ 230 V		~ 5 V... 150 V ~ 230 V	~ 24 V (solid state) ~ 5 V... 24 V, ~ 230 V (E.M.)	~ 5 V... 150 V ~ 230 V	
<b>Output current per channel</b>	2 A (th)	3 A (th)	5 A (th)	2 A (solid state), 6 A (electromechanical)		Depends on relay mounted 0.5 to 10 A
<b>Modularity</b>	8	8 - 16		16		8 or 16
<b>No. of terminals per channel</b>	2	1	2	1	2 to 3	
<b>Type of connection terminals</b>	1 N/O contact and common Volt-free	1 N/O contact	1 N/O contact and common	1 N/O contact	Signal, Polarities	
<b>Connectors</b>	20-way HE 10 connector					
<b>Terminal block</b>	removable		Yes	Yes	Yes	No
<b>Terminal block</b>	type of terminals		Screw or spring			Screw
<b>Additional or optional* function</b>	Miniature sub-base Bistable relay	Volt-free or common per 8 channels		Miniature sub-bases Common per 4 channels		Isolator and fuse
<b>Device type</b>	ABE-7R08S216●	ABE-7R●●S1●●	ABE-7R●●S2●●	ABE-7R16T111	ABE-7P16T111	ABE-7P16T2●●● 7P08T3●●●
<b>Pages</b>	2/36			2/37	2/38	

(1) For TSX Micro and Premium PLCs.

Discrete input



2

2.2

Electromechanical, removable		Solid state, fixed		–	–	Solid state, fixed		Solid state, removable	
Yes		Yes		–	–	Yes		No	
						From $\bar{\bar{=}}$ 24 V to $\sim$ 230 V		From 5 V TTL to $\sim$ 230 V	
$\bar{\bar{=}}$ 5 V... 150 V $\sim$ 230 V		$\bar{\bar{=}}$ 24 V							
5A (th)	8 A (th)	from 0.5 to 2 A	125 mA	0.5 A	125 mA	12 mA			
16									
2 to 3	2 to 6	2	3		2				
1 C/O contact or 1 N/O contact and common	1 C/O contact or 2 C/O contacts and common	Signal and 0 V		Signal $\bar{\bar{=}}$ 24 V and 0 V	Signal can be isolated, Protected common		Signal	Signal and common	
No		Yes	No	No		Yes	No		
Screw		Screw or spring		Screw		Screw or spring			
Volt-free or common per:		Fault signal	Isolator and fuse (indicator)	3-wire proximity sensor	Isolator and fuse (indicator)	–			
8 channels	4 channels								
<b>ABE-7R16T2●●</b>	<b>ABE-7R16T3●●</b>	<b>ABE-7S●●S2B●</b>	<b>ABE-7H16F43</b>	<b>ABE-7H16R3●</b>	<b>ABE-7H16S43</b>	<b>ABE-7S16E2●●</b>	<b>ABE-7P16F31●</b>		
2/37		2/36	2/35		2/36		2/39		

# Modicon TSX Micro automation platform

Telefast® 2 pre-wired system  
Analogue sub-bases

Applications

Analogue signals and special functions



2

2.2

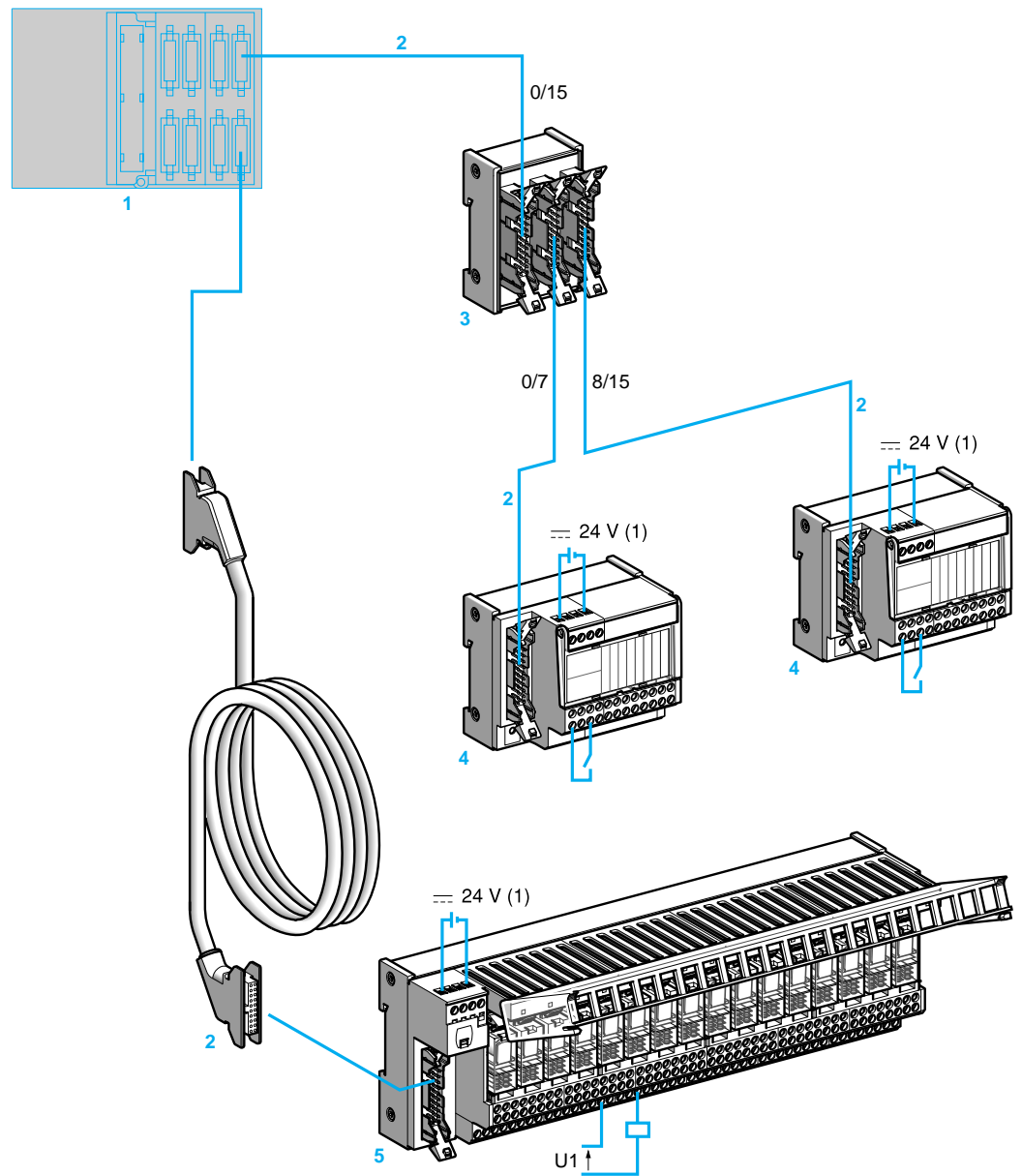
<b>Compatibility</b>	TSX Micro	Premium	Standard	
<b>Type of signal</b>	Counter inputs and analogue I/O	Counter inputs Axis control Position control	Analogue inputs Current Voltage Pt 100	Analogue outputs Current Voltage
<b>Functions</b>	Passive connection, point-to-point with shield continuity			
<b>Modularity</b>	1 counter channel or 8 analogue inputs + 2 analogue outputs	8 channels	4 channels	
<b>Control voltage</b>	~ 24 V			
<b>Output voltage</b>	~ 24 V			
<b>Output current per channel</b>	25 mA			
<b>Number of terminals per channel</b>	2	2 or 4	2 or 4	
<b>Type of connector</b>	15-way SUB-D + 9-way SUB-D		25-way SUB-D	
<b>Terminal block</b>				
removable	No		No	
type of terminals	Screw		Screw	
<b>Device type</b>	<b>ABE-7CPA01</b>	<b>ABE-7CPA02</b>	<b>ABE-7CPA21</b>	
<b>Pages</b>	2/42			



	Premium TSX AEY810	Premium TSX CAY●1 TSX CTY2C	Premium TSX AEY1614	Premium TSX PAY2●2
Analogue inputs Current Voltage Pt 100	Isolated analogue inputs	Inputs Counter	Inputs for thermocouples	I/O
Distribution of sensor power supplies per limiter (25 mA)	Distribution of isolated sensor power supplies per converter	Acquisition of value from an absolute encoder	Connection of 16 thermocouples with cold junction compensation	Safety module (BG)
8 channels	8 channels	1 channel	16 channels	12 Emergency stops
				–
		–	2 or 4	1
25-way SUB-D	25-way SUB-D	15-way SUB-D	25-way SUB-D	50-way SUB-D
No	No	No	No	No
Screw	Screw or spring	Screw	Screw	Screw
<b>ABE-7CPA03</b>	<b>ABE-7CPA31●</b>	<b>ABE-7CPA11</b>	<b>ABE-7CPA12</b>	<b>ABE-7CPA13</b>

# Modicon TSX Micro automation platform

Telefast® 2 pre-wired system  
Connection cables for Micro PLCs



- 1 I/O modules equipped with HE 10 connectors. Available in modules of 8, 12, 28 and 64 I/O.
- 2 A single type of cable equipped with 20-way HE 10 connectors irrespective of the 8, 12 or 16-channel modularity. The HE 10 connectors may be moulded (TSX CDP●●●) or self-perforating (ABF-H20H●●●). These cables are available in 0.5, 1, 2, 3 and 5 metre lengths. They use AWG 28 (0.08 mm<sup>2</sup>) for connection of inputs and relay sub-bases, and AWG 22 (0.324 mm<sup>2</sup>) for direct connection of the 8 and 28 I/O module 0.5 A outputs.
- 3 16 channels may be split into 2 x 8 channels using splitter sub-base ABE-7ACC02.
- 4-5 8-channel and 16-channel sub-bases respectively.

(1) The  $\sim$  24 V power supply is connected using Telefast 2 sub-bases only. The  $\sim$  0 V connections must be equipotential.

# Modicon TSX Micro automation platform

Telefast® 2 pre-wired system  
Micro PLC I/O modules and interface sub-bases

## I/O modules for TSX Micro PLCs

		24 V discrete I/O					Counter		Analogue and counter		
		I/O					Inputs	Outputs	Auxiliary inputs	Counter	Analogue and counter
		8 I + 8 Q	1 x 16 I	1 x 12 Q	2 x 16 I	2 x 16 Q	1 x 12 I	1 x 8 Q	–	–	–
Integrated in the PLCs	TSX	–	37 10 128DTK1	–	37 10 164DTK1	–	–	–	–	–	37 22 001
	TSX	–	–	–	–	–	–	–	–	–	37 22 101
With modules	TSX	DMZ 16DTK	DMZ 28DTK	–	DMZ 64DTK	DEZ 12D2K	DSZ 08T2K	CTZ 1A	CTZ 1A	–	–
	TSX	–	–	–	–	–	–	CTZ 2A	CTZ 2A	–	–

## Connection sub-bases

8 chans.	ABE-7H08R●●	(1)	(1)	(1)			ABE- (2) 7H08R10			
	ABE-7H08S21	(1)	(1)	(1)						
12 chans.	ABE-7H12R●●									
	ABE-7H012S21									
16 chans.	ABE-7H16R●●/H16C●●/H20E●●						ABE- (3) 7H016R20			
	ABE-7H16S21									
	ABE-7H16R23									
	ABE-7H16F43									
	ABE-7H16S43									

## Input adaptor sub-bases

16 chans.	ABE-7S16E2●●				(5)					
	ABE-7P16F3●●				(5)					

## Input and output adaptor sub-bases

16 chans.	ABE-7H16CM●1									
8 I + 8 Q	ABE-7●16M111									


## Output adaptor sub-bases

8 chans.	ABE-7S08S2●●			(1)						
	ABE-7R08S●●●			(1)						
	ABE-7P08T330			(1)						
16 chans.	ABE-7S16S●●●									
	ABE-7R16S●●●		(4)							
	ABE-7R16T●●●		(4)							
	ABE-7P16T●●●		(4)							

## Sub-bases for analogue/counter I/O

	ABE-7CPA01									
	ABE-7CPA11									
	ABE-7CPA02									
	ABE-7CPA03									

- (1) Via splitter sub-base ABE-7ACC02, which allows 16 channels to be split into 2 x 8 channels.
- (2) With module TSX CTZ 1A, to be used with sub-bases with no LED.
- (3) With module TSX CTZ 2A, to be used with sub-bases with no LED.
- (4) The last four channels are not used and remain at 1.
- (5) The last four channels are not used.

 Pre-wired cables

# Modicon TSX Micro automation platform

Telefast® 2 pre-wired system

Connection sub-bases for analogue and counter channels



ABE-7CPA02

## Connection sub-base for counter and analogue channels

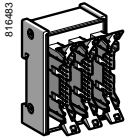
Functions	For PLCs	Compatible modules	Type of connection Telefast 2 side	Type of connection	Reference	Weight kg
<b>Counting and analogue</b>	Modicon TSX Micro	Integrated analogue and counter TSX 37.22 TSX CTZ●A	15-way SUB-D	Screw	<b>ABE-7CPA01</b>	0.300
<b>Counting Axis control Position control</b>	Modicon Premium	TSX CTY●A TSX CAY●1	15-way SUB-D	Screw	<b>ABE-7CPA01</b>	0.300
<b>Parallel output absolute encoder connection</b>	Modicon Premium	TSX CTY●A TSX CAY●1	15-way SUB-D	Screw	<b>ABE-7CPA11</b>	0.330
<b>Distribution of 16 thermocouples</b>	Modicon Premium	TSX AEY1614	25-way SUB-D	Screw	<b>ABE-7CPA12</b>	0.300
<b>Passive distribution of 8 channels on screw terminal block with shielding continuity</b>	TSX 47/107 Modicon Premium	TSX AEM8●1 TSX AEM16●● TSX ASY810 TSX AEY1600 TSX A●Y800	25-way SUB-D	Screw	<b>ABE-7CPA02</b>	0.290
<b>Distribution of 4 analogue output channels</b>	Modicon Premium	TSX ASY410 TSX AEY420	25-way SUB-D	Screw	<b>ABE-7CPA21</b>	0.210
<b>Distribution and supply of 8 analogue channels with limitation of each current loop</b>	TSX 47/107 Modicon Premium	TSX AEM8●1 TSX AEM16●● TSX AEY800 TSX AEY1600	25-way SUB-D	Screw	<b>ABE-7CPA03</b>	0.330
<b>Distribution and supply of 8 analogue input channels isolated from each other with 25 mA/ channel limiter</b>	Modicon Premium	TSX AEY810	25-way SUB-D	Screw	<b>ABE-7CPA31</b>	0.410
				Spring	<b>ABE-7CPA31E</b>	0.410
<b>Safety</b>	Modicon Premium	TSX PAY2●2	25-way SUB-D	Screw	<b>ABE-7CPA13</b>	0.290



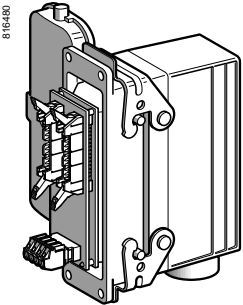
# Modicon TSX Micro automation platform

Telefast® 2 pre-wired system

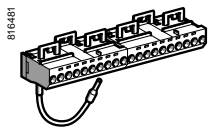
Accessories for connection sub-bases



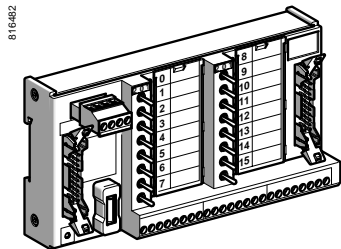
ABE-7ACC02



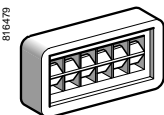
ABE-7ACC80 + ABE-7ACC81



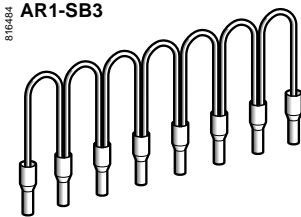
ABE-7BV20



ABE-7TES160



AR1-SB3



ABE-C08R●●●

## Software

Description	Operating system	Reference	Weight kg
Software for client label marking	Under Windows version 3.1 or 95	<b>ABE-7LOGV10</b>	0.350
Pack of 25 pre-cut label sheets (160 labels)	–	<b>ABE-7LOGF25</b>	0.200

## Accessories

Description	No. of channels	Characteristics	Order in multiples of	Unit reference	Weight kg
<b>Kit for fixing on solid plate</b>	–	–	<b>10</b>	<b>ABE-7ACC01</b>	0.008
<b>Splitter sub-base</b>	–	16 as 2 x 8 channels	<b>1</b>	<b>ABE-7ACC02</b>	0.075
<b>Redundant output sub-base</b>	–	16 as 2 x 16 channels	<b>1</b>	<b>ABE-7ACC10</b>	0.075
<b>Redundant input sub-base</b>	–	16 as 2 x 16 channels	<b>1</b>	<b>ABE-7ACC11</b>	0.075
<b>Removable continuity blocks</b>	–	10 mm wide	<b>4</b>	<b>ABE-7ACC20</b>	0.007
	–	12 mm wide	<b>4</b>	<b>ABE-7ACC21</b>	0.010
<b>Locating device for removable terminal block</b>	–	–	<b>100</b>	<b>ABE-7ACC30</b>	0.100
<b>Enclosure feedthrough with industrial connector</b>	32	40-way	<b>1</b>	<b>ABE-7ACC80</b>	0.300
<b>Plug-in 40-way male connector</b>	32	For mounting on ABE-7ACC80	<b>1</b>	<b>ABE-7ACC81</b>	0.370
<b>Enclosure feedthrough with CNOMO M23 connector (1 x 20-way HE 10 connector, PLC end)</b>	16	19-way	<b>1</b>	<b>ABE-7ACC82</b>	0.150
	8 and 12	19-way	<b>1</b>	<b>ABE-7ACC83</b>	0.150
<b>Impedance adaptor for Type 2 compatibility</b>	–	Used with ABE-7ACC82 and ABE-7ACC83	<b>1</b>	<b>ABE-7ACC85</b>	0.012
<b>IP 65 cable gland</b>	–	For 3 cables	<b>1</b>	<b>ABE-7ACC84</b>	0.300
<b>Additional snap-on terminal blocks (shunted terminals)</b>	8	10 screw terminals	<b>5</b>	<b>ABE-7BV10</b>	0.030
		10 spring terminals	<b>5</b>	<b>ABE-7BV10E</b>	0.030
	16	20 screw terminals	<b>5</b>	<b>ABE-7BV20</b>	0.060
		20 spring terminals	<b>5</b>	<b>ABE-7BV20E</b>	0.060
<b>I/O simulator sub-base</b>	16	Display, forcing inhibition, continuity	<b>1</b>	<b>ABE-7TES160</b>	0.350
<b>Adhesive label holder</b>	–	For 6 characters	<b>50</b>	<b>AR1-SB3</b>	0.001
<b>Fast blow fuses 5 x 20, 250 V, UL</b>	–	0.125 A	<b>10</b>	<b>ABE-7FU012</b>	0.010
		0.5 A	<b>10</b>	<b>ABE-7FU050</b>	0.010
		1 A	<b>10</b>	<b>ABE-7FU100</b>	0.010
		2 A	<b>10</b>	<b>ABE-7FU200</b>	0.010
		4 A	<b>10</b>	<b>ABE-7FU400</b>	0.010
		6.3 A	<b>10</b>	<b>ABE-7FU630</b>	0.010

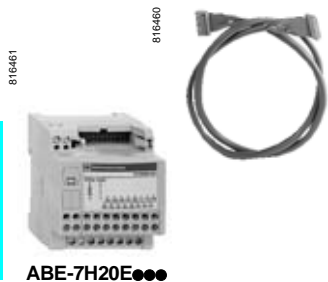
## “Flexible commoning links” accessories

Description	For common	Colour	Distance between cable ends cm	Reference	Weight kg
<b>Flexible commoning links</b>	Coil	White	12	<b>ABF-C08R12W</b>	0.020
			2	<b>ABF-C08R02W</b>	0.010
	~	Red	12	<b>ABF-C08R12R</b>	0.020
			2	<b>ABF-C08R02R</b>	0.010
	Modularity 8 x 1 mm <sup>2</sup>	Blue	12	<b>ABF-C08R12B</b>	0.020
			2	<b>ABF-C08R02B</b>	0.010

# Modicon TSX Micro automation platform

Telefast® 2 pre-wired system  
Passive connection sub-bases

## Passive connection sub-bases for discrete signals



### "Low cost" sub-bases

Function	No. of channels	No. of terminals per channel	For PLCs	Length of PLC connection cable m	Type of connection	Reference	Weight kg	
Input or Output	16	1	2	Modicon TSX Micro/Premium	1	Screw	<b>ABE-7H20E100</b>	0.330
					2	Screw	<b>ABE-7H20E200</b>	0.410
					3	Screw	<b>ABE-7H20E300</b>	0.480
				Siemens S7	1.5	Screw	<b>ABE-7H32E150</b>	0.360
					3	Screw	<b>ABE-7H32E300</b>	0.460

### "Miniature" sub-bases

Function	No. of channels	No. of terminals per channel	LED per channel	Polarity distribution	Type of connection	Reference	Weight kg	
Input or Output	16	1	1	No	No	Screw	<b>ABE-7H16C10</b>	0.160
				Yes	No	Screw	<b>ABE-7H16C11</b>	0.160
	2	2	Yes	0 or 24 V		Screw	<b>ABE-7H16C21</b>	0.205
	3	3	Yes	0 and 24 V		Screw	<b>ABE-7H16C31</b>	0.260
Input and Output (1)	16	1	1	Yes	No	Screw	<b>ABE-7H16CM11</b>	0.160
	2	2	Yes	0 or 24 V		Screw	<b>ABE-7H16CM21</b>	0.200



ABE-7H16C21



ABE-7H16CM21

(1) 8 I + 8 Q : these products have 2 commons connections which enable inputs and outputs to be connected to the same sub-base at the same time.

# Modicon TSX Micro automation platform

Telefast® 2 pre-wired system  
Passive connection sub-bases

81644



ABE-7H16R50

81645



ABE-7H16R31

81646



ABE-7H1643

## Passive connection sub-bases for discrete signals (continued)

Function	No. of channels	No. of terminals per channel	No. of terminals on row number	LED per channel	Polarity distribution	Isolator (I) Fuse (F) per channel	Type of connection	Reference	Weight kg		
Input or Output	8	1	1	No	No	–	Screw	<b>ABE-7H08R10</b>	0.187		
				Yes	No	–	Screw	<b>ABE-7H08R11</b>	0.187		
		2	2	Yes	0 or 24 V	–	Screw	<b>ABE-7H08R21</b>	0.218		
						I	Screw	<b>ABE-7H08S21</b>	0.245		
	12	1	1		No	No	–	Screw	<b>ABE-7H12R10</b>	0.274	
					Yes	No	–	Screw	<b>ABE-7H12R11</b>	0.274	
			2		No	No	–	Screw	<b>ABE-7H12R50</b>	0.196	
			2	2		No	0 or 24 V	–	Screw	<b>ABE-7H12R20</b>	0.300
						Yes	0 or 24 V	–	Screw	<b>ABE-7H12R21</b>	0.300
						I	Screw	<b>ABE-7H12S21</b>	0.375		
16	1	1		No	No	–	Screw	<b>ABE-7H16R10</b>	0.274		
				Yes	No	–	Screw	<b>ABE-7H16R11</b>	0.274		
								Spring	<b>ABE-7H16R11E</b>	0.274	
		2		No	No	–	Screw	<b>ABE-7H16R50</b>	0.196		
							Spring	<b>ABE-7H16R50E</b>	0.196		
		2	2		No	0 or 24 V	–	Screw	<b>ABE-7H16R20</b>	0.300	
					Yes	0 or 24 V	–	Screw	<b>ABE-7H16R21</b>	0.300	
								Spring	<b>ABE-7H16R21E</b>	0.300	
							I	Screw	<b>ABE-7H16S21</b>	0.375	
								Spring	<b>ABE-7H16S21E</b>	0.375	
	3	3		No	0 and 24 V	–	Screw	<b>ABE-7H16R30</b>	0.346		
				Yes	0 and 24 V	–	Screw	<b>ABE-7H16R31</b>	0.346		
Type 2 input (1)	16	2	2	Yes	0 and 24 V	–	Screw	<b>ABE-7H16R23</b>	0.320		
Input	16	2	1	Yes	24 V	I, F (2)	Screw	<b>ABE-7H16S43</b>	0.640		
Output	16	2	1	Yes	0 V	I, F (2)	Screw	<b>ABE-7H16F43</b>	0.640		

(1) For Modicon TSX Micro, Premium and Numerical Controller NUM 1020/1060.

(2) With LED to indicate blown fuse.

# Modicon TSX Micro automation platform

Telefast® 2 pre-wired system

Connection sub-bases with soldered relays and plug-in terminal blocks

816467



ABE-7S16E2●●

## Sub-bases with soldered solid state inputs, plug-in terminal blocks

Number of channels	No. of terminals per channel	Isolation PLC/application	Voltage V	Type of connection	Reference	Weight kg
16	2	Yes	--- 24	Screw	<b>ABE-7S16E2B1</b>	0.370
				Spring	<b>ABE-7S16E2B1E</b>	0.370
			--- 48	Screw	<b>ABE-7S16E2E1</b>	0.370
				Spring	<b>ABE-7S16E2E1E</b>	0.370
			~ 48	Screw	<b>ABE-7S16E2E0</b>	0.386
				Spring	<b>ABE-7S16E2E0E</b>	0.386
	~ 110	Screw	<b>ABE-7S16E2F0</b>	0.397		
		Spring	<b>ABE-7S16E2F0E</b>	0.397		
	~ 230	Screw	<b>ABE-7S16E2M0</b>	0.407		
		Spring	<b>ABE-7S16E2M0E</b>	0.407		

## Sub-bases with soldered solid state outputs, plug-in terminal blocks

No. of channels	Isolation PLC/application	Output voltage V	Output current A	Fault detection signal (1)	Type of connection	Reference	Weight kg
8	No	--- 24	0.5	Yes (2)	Screw	<b>ABE-7S08S2B0</b>	0.252
					Spring	<b>ABE-7S08S2B0E</b>	0.252
			2	Yes (2)	Screw	<b>ABE-7S08S2B1</b>	0.448
					Spring	<b>ABE-7S08S2B1E</b>	0.448
16	No	--- 24	0.5	Yes (2)	Screw	<b>ABE-7S16S2B0</b>	0.405
					Spring	<b>ABE-7S16S2B0E</b>	0.405
			No		Screw	<b>ABE-7S16S1B2</b>	0.400
					Spring	<b>ABE-7S16S1B2E</b>	0.400

## Sub-bases with soldered electromechanical relays, plug-in terminal blocks

No. of channels	Relay width mm	No. of contacts	Output current A	Polarity distribution/application	Type of connection	Reference	Weight kg	
8	5	1 "N/O"	2	Contact common per group of 4 channels	Screw	<b>ABE-7R08S111</b>	0.244	
					Spring	<b>ABE-7R08S111E</b>	0.244	
		Bistable	2	Volt-free	Screw	<b>ABE-7R08S216</b>	0.250	
					Spring	<b>ABE-7R08S216E</b>	0.250	
	10	1 "N/O"	5	Volt-free	Screw	<b>ABE-7R08S210</b>	0.352	
					Spring	<b>ABE-7R08S210E</b>	0.352	
16	5	1 "N/O"	2	Contact common per group of 8 channels	Screw	<b>ABE-7R16S111</b>	0.352	
					Spring	<b>ABE-7R16S111E</b>	0.352	
		10	1 "N/O"	5	Volt-free	Screw	<b>ABE-7R16S210</b>	0.547
						Spring	<b>ABE-7R16S210E</b>	0.547
	Common per group of 8 chan. on both poles				Screw	<b>ABE-7R16S212</b>	0.547	
					Spring	<b>ABE-7R16S212E</b>	0.547	

(1) A fault on a sub-base output Qn will set PLC output Qn to safety mode which will be detected by the PLC.

(2) Can only be used with modules with protected outputs.

816468



ABE-7R08S216

# Modicon TSX Micro automation platform

Telefast® 2 pre-wired system  
Plug-in relay sub-bases

816489

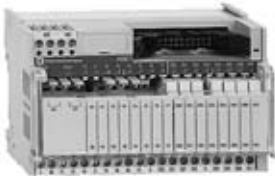


ABE-7R16T210

## Sub-bases for plug-in solid state input relays (1)

No. of channels	Terminals/ channel	For relay type	Isolation PLC/ application	Input connection	Type of connection	Reference	Weight kg
16	2	ABS-7E ABR-7 ABS-7S33E	Yes	Volt-free	Screw	<b>ABE-7P16F310</b>	0.850
					Spring	<b>ABE-7P16F310E</b>	0.850
					Polarity distribution Screw	<b>ABE-7P16F312</b>	0.850

816471



ABE-7R16M111

## Output sub-bases, equipped with plug-in electromechanical relays (2)

No. of channels	Relay width mm	Type of relay	No. and type of contacts	Polarity distribution/ application	Reference	Weight kg
16	5	ABR-7S11	1 N/O	Contact common per group of 4 channels	<b>ABE-7R16T111</b>	0.600
				Contact common per group of 4 output channels + 2 input common terminals	<b>ABE-7R16M111 (3)</b>	0.600
10	ABR-7S21	1 N/O	1 N/O	Volt-free	<b>ABE-7R16T210</b>	0.735
				Common on both poles (4)	<b>ABE-7R16T212</b>	0.730
				ABR-7S23	1 C/O	Contact common (4)
12	ABR-7S33	1 C/O	1 C/O	Volt-free	<b>ABE-7R16T230</b>	0.775
				Volt-free	<b>ABE-7R16T330</b>	1.300
				Common on both poles (5)	<b>ABE-7R16T332</b>	1.200
12	ABR-7S37	2 C/O	2 C/O	Volt-free	<b>ABE-7R16T370</b>	1.300

(1) Not equipped with relays.

(2) Both technologies (electromechanical and solid state) may be combined on the same sub-base.

(3) 2 connection methods are available, enabling inputs and outputs to be connected to the same sub-base at the same time.

(4) Per group of 8 channels.

(5) Per group of 4 channels.

# Modicon TSX Micro automation platform

Telefast® 2 pre-wired system  
Plug-in relay sub-bases

## Sub-bases for solid state and/or electromechanical output relays, plug-in (1)

No. of Relay channels	chan- width mm	For relay type	Isolator per channel	Fuse per channel	Polarity distribution/ application	Type of connection	Reference	Weight kg			
16	5	ABR-7S11 ABS-7SC1B	No	No	Contact common per group of 4 channels		<b>ABE-7P16T111</b>	0.550			
							Contact common per group of 4 output channels and 2 common input terminals	<b>ABE-7P16M111 (2)</b>	0.550		
10		ABR-7S2● ABS-7SA2● ABS-7SC2● ABE-7ACC20	No	No	Volt-free	Screw	<b>ABE-7P16T210 (3)</b>	0.615			
							<b>ABE-7P16T230 (3)</b>	0.655			
							Spring	<b>ABE-7P16T230E (3)</b>	0.655		
					Yes	Volt-free	Screw	<b>ABE-7P16T214</b>	0.675		
					No	Common on both poles (4)	Screw	<b>ABE-7P16T212</b>	0.615		
Yes	Common on both poles (4)	Screw	<b>ABE-7P16T215</b>	0.670							
8	12	ABR-7S33 ABS-7SA3● ABS-7SC3●● ABE-7ACC21	No	No	Volt-free	Screw	<b>ABE-7P08T330</b>	0.450			
							Spring	<b>ABE-7P08T330E</b>	0.450		
16	12	ABR-7S33 ABS-7SA3● ABS-7SC3●● ABE-7ACC21	No	No	Volt-free	Screw	<b>ABE-7P16T330</b>	0.900			
							Spring	<b>ABE-7P16T330E</b>	0.900		
							Common on both poles (5)	Screw	<b>ABE-7P16T332</b>	0.900	
					ABR-7S33 ABS-7SA3M ABS-7SC3E ABE-7ACC21	No	Yes	Volt-free	Screw	<b>ABE-7P16T334</b>	0.900
					Yes	Yes	Common on both poles (5)	Screw	<b>ABE-7P16T318</b>	1.000	
Spring	<b>ABE-7P16T318E</b>	1.000									



ABE-7P16T2●●

(1) Not equipped with relays

(2) 2 connection methods are available, enabling inputs and outputs to be connected to the same sub-base at the same time.

(3) With relay ABR-7S21 for sub-base ABE-7P16T210, with relay ABR-7S23 for sub-base ABE-7P16T230●.

(4) Per group of 8 channels.

(5) Per group of 4 channels.

# Modicon TSX Micro automation platform

Telefast® 2 pre-wired system  
Plug-in relays

## Plug-in solid state relays (Order in multiples of 4)

Relay width mm	Func-tions	Input circuit		Output circuit		Unit reference	Weight kg	
		Current	Nominal voltage V	Current (1) A	Nominal voltage V			
5	Output	---	24	2	--- 24	<b>ABS-7SC1B</b>	0.010	
10	Output	---	24	0.5	--- 5...48	<b>ABS-7SC2E</b>	0.016	
					~ 24...240	<b>ABS-7SA2M</b>	0.016	
12	Input	---	5 TTL	---	--- 24	<b>ABS-7EC3AL</b>	0.014	
			24 Type 2	---	--- 24	<b>ABS-7EC3B2</b>	0.014	
			48 Type 2	---	--- 24	<b>ABS-7EC3E2</b>	0.014	
			~ 50 Hz	48	---	--- 24	<b>ABS-7EA3E5</b>	0.014
			~ 60 Hz	110...130	---	--- 24	<b>ABS-7EA3F5</b>	0.014
			~ 50 Hz	230...240	---	--- 24	<b>ABS-7EA3M5</b>	0.014
			Output	---	24	2 Self-protected	--- 24	<b>ABS-7SC3BA</b>
			1.5	---	--- 5...48	<b>ABS-7SC3E</b>	0.016	
			1.5	~ 24...240	<b>ABS-7SA3MA</b>	0.016		

## Plug-in electromechanical relays

Relay width mm	Control voltage V	Output current (1) A (Ith)	No. of contacts	Order in multiples of	Unit reference	Weight kg
5	--- 24	5	1 N/O	4	<b>ABR-7S11</b>	0.005
10	--- 24	5	1 N/O	4	<b>ABR-7S21</b>	0.008
			1 C/O	4	<b>ABR-7S23</b>	0.008
12	--- 24	10	1 C/O	4	<b>ABR-7S33</b>	0.017
		8	2 C/O	4	<b>ABR-7S37</b>	0.017
		8	1 C/O	4	<b>ABR-7S33E</b>	0.017

## Accessory

Description	Reference	Weight kg
Extractor for 5 mm miniature relays	<b>ABE-7ACC12</b>	0.010

(1) See characteristics table for specifications of relays in the sub-bases

816475



ABS-7SC1B

816476



ABR-7S2●

816474



ABR-7S3●

# Modicon TSX Micro automation platform

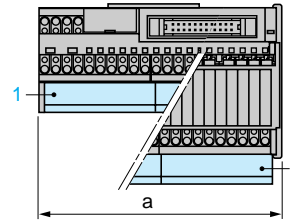
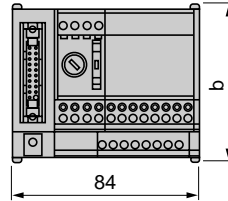
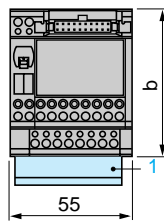
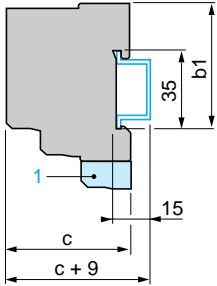
Telefast® 2 pre-wired system

Common side view

ABE-7H20E●●●  
ABE-7H32E●●●

ABE-7H16R50, ABE-7H12R50,  
ABE-7H08R1●, ABE-7H08R21,  
ABE-7R08S111/S111E,  
ABE-7H08S21, ABE-7CPA21

ABE-7H16C●●/ABE-7H16CM●●,  
ABE-7●16M111/ABE-7●16T111



ABE-	7H20E/7H32E●●●	7H●●●●/CPA21	7R08S111●	ABE-	7H16C●●/CM●●	7●16M111/T111
b	67	70	77	a	106	110
b1	56	58	58	b	49	89
c	59	58	58	b1	41,5	58
				c	60	54

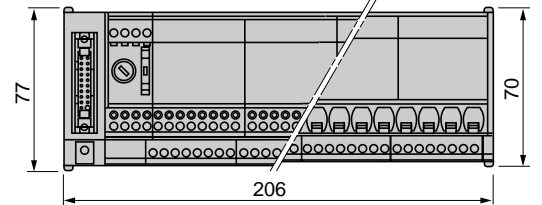
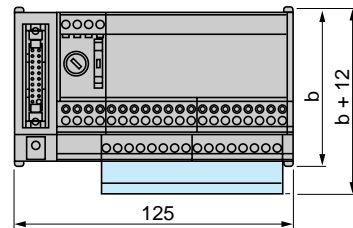
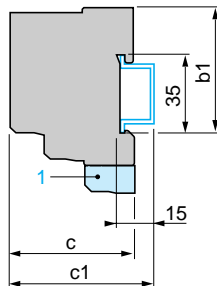
1 Additional shunt terminal block ABE-7BV10/7BV20

Common side view

ABE-7H16R2●, ABE-7H12R2●, ABE-7H16R3●,  
ABE-7H16R1●, ABE-7H12R1●, ABE-7H12S21,  
ABE-7H16S2●, ABE-7R16S11●, ABE-7R08S210,  
ABE-7S08S2B0, ABE-7CPA02, ABE-7CPA03  
ABE7S16S1B2, ABE-7R08S216

ABE-7R16S21●, ABE-7S16S2B0/S2B02E,  
ABE-7S16E2●●/S16E2●●E,  
ABE-7S08S2B1/S08S2B1E  
ABE-7CPA31

ABE-7H16●43

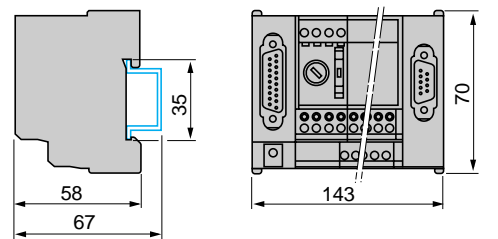
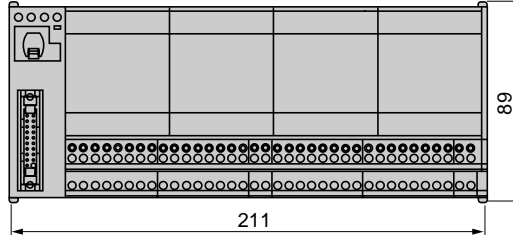
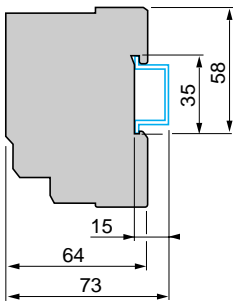


ABE-	7●●●●●	7●R08S210●, 7S16S1B2●, 7R08S216	All sub-bases
b	70	77	b1 58
b1	58	58	c 58
c	58	58	

1 Additional shunt terminal block ABE-7BV10/7BV20

ABE-7R16T2●●, ABE-7P16T2●●

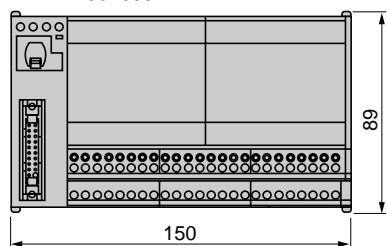
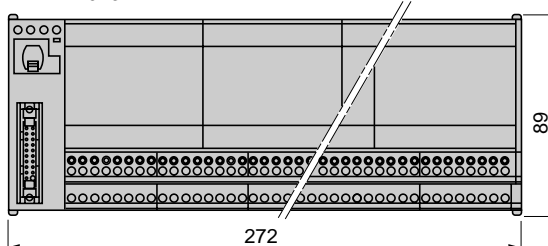
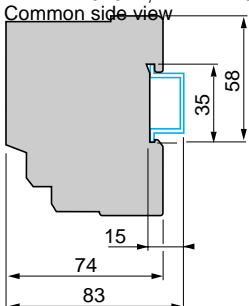
ABE-7CPA01, ABE-7CPA11/CPA12/CPA13



Note :  
details of the front view are the same as for the ABE-7CPA01.

ABE-7R16T3●●, ABE-7P16T3●●, ABE-7P16F31●

ABE-7P08T330

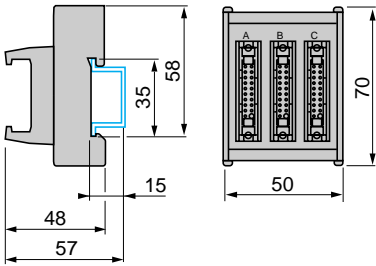




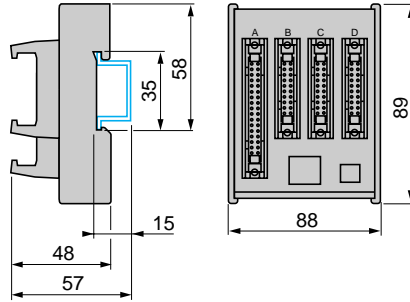
# Modicon TSX Micro automation platform

Telefast® 2 pre-wired system

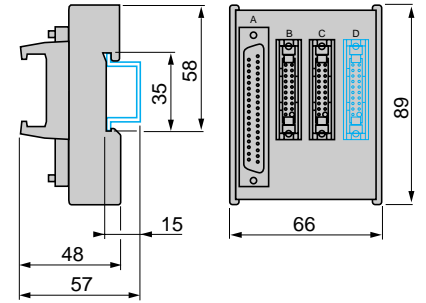
ABE-7ACC02



ABE-7ACC03

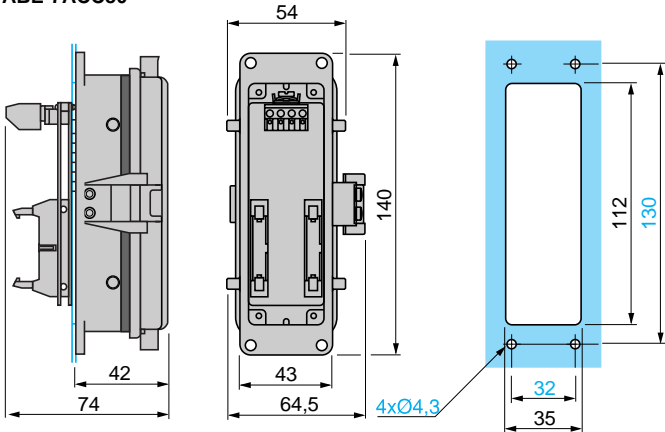


ABE-7ACC04, ABE-7ACC05  
ABE-7ACC10, ABE-7ACC11

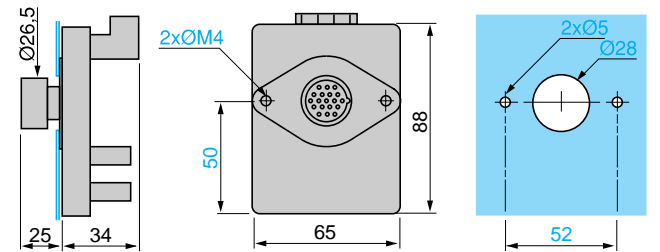


Note : Drawing representing ABE-7ACC04 and ABE-7ACC05

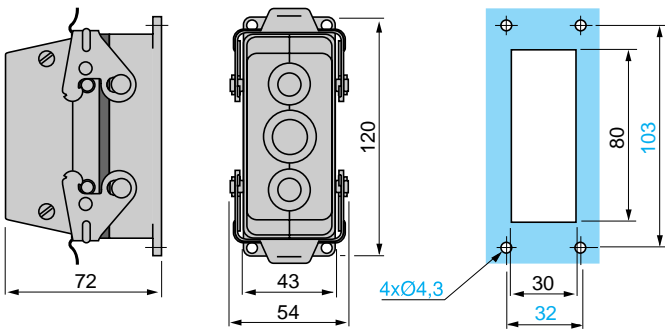
ABE-7ACC80



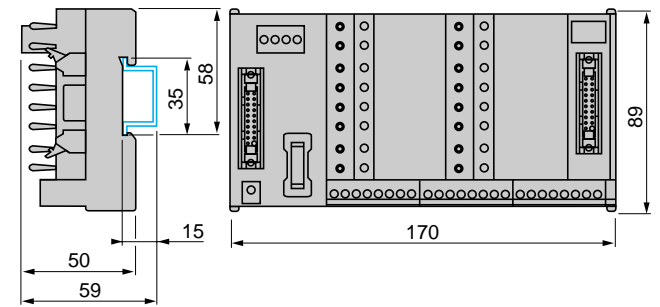
ABE-7ACC82, ABE-7ACC83



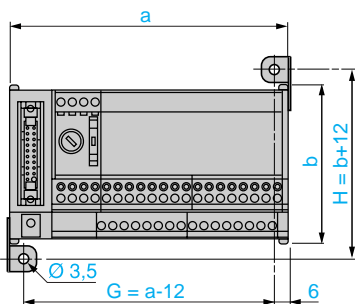
ABE-7ACC84



ABE-7TES160



Fixing centres for sub-bases using mounting kit ABE-7ACC01



ABE-7	G	H
ACC02	38	82
ACC03	53	101
ACC04	53	101
ACC05	53	101
ACC10/11	53	101
H08R●●	72	82
H08S21	72	82
H12R50	72	82
H16R50	72	82
R08S111	72	82
CPA01	131	82
CPA02	113	82
CPA1●	131	82
CPA03	113	82

ABE-7	G	H
H12R1●	113	82
H12R2●	113	82
H16R1●	113	82
H16R2●	113	82
H16R3●	113	82
H12S21	113	82
H16S21	113	82
R08S210	113	82
H16S111	113	82
R16S21●	194	82
S08S2B0	113	82
S08S2B1	194	82

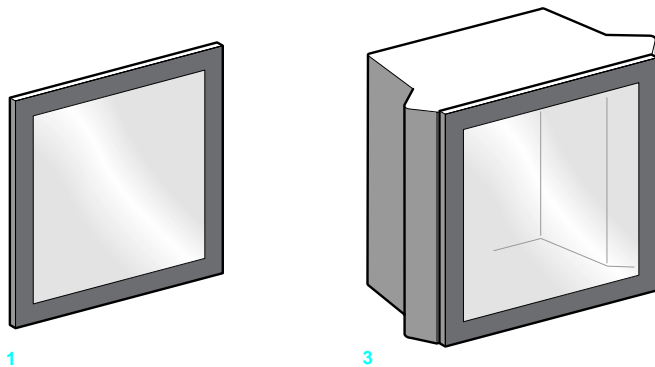
ABE-7	G	H
H16F43	194	82
H16S43	194	82
S16E2●●	194	82
S16S1B2	113	82
S16S2●●	194	82
R16T2●●	199	101
P16T2●●	199	101
R16T3●●	260	101
P08T330	150	101
P16T3●●	260	101
P16F3●●	260	101

## Presentation

The modular Tego Dial system is used to define human-machine interfaces. It facilitates the installation of Ø 22, Ø 16 and Ø 30 mm control and signalling units, DIN format display units, Magelis terminals and display units, XBL keypads and other products. Tego Dial simplifies an HMI application by :

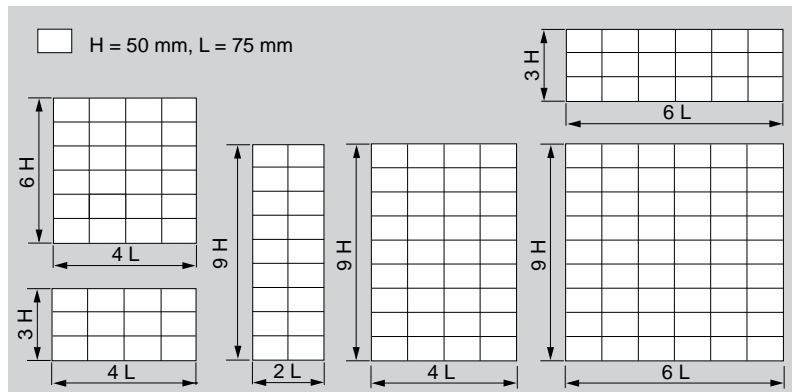
- definition of the application by Tego Dial Design software,
- quick assembly of dialogue and display units, through the use of modular elements,
- standard connections from the dialogue units to PLCs, bus and other products,
- facilitates the integration of the dialogue application into the machine, control panel, enclosure, machine housing or intermediate suspension arm.

## Description

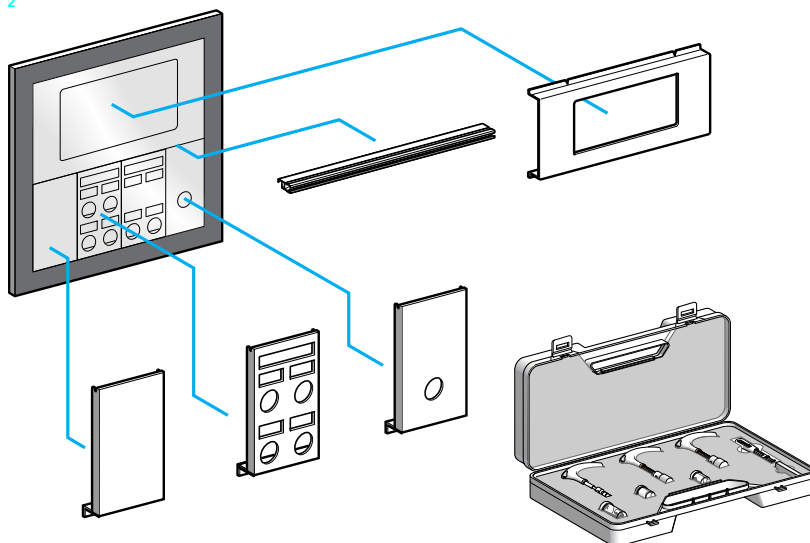


1

3



2



4

5

### ■ Tego Dial Design definition software

This software on CD-ROM facilitates graphical definition of the dialogue application in relation to the control units, pilot lights and display units necessary for the device. It selects the correct Tego Dial components that are required for the application and also features a legend design and printing function, both for the front panel and the connections.

### ■ Dialboard front panels 1

The front panels basically comprise a grey, RAL 7016, painted aluminium frame which is covered by a polycarbonate film.

Six sizes are available based on a modular pattern of height H = 50 mm and width W = 75 mm 2. The sizes are 3H x 4W, 3H x 6W, 6H x 4W, 9H x 2W, 9H x 4W and 9H x 6W.

### ■ Dialpack control console enclosures 3

Four control consoles are available in the following modular sizes : 3H x 4W, 6H x 4W, 9H x 4W and 9H x 6W.

The Dialpack console is an assembly comprising a Dialboard type front panel and a sheet steel folded and welded enclosure, painted with textured grey RAL 7016. The front panel is hinged and can be opened to 120°. Closing is by a 1/4-turn device, with stop, and locking by Ronis key no. 455. Double bar or CNOMO triangular key locks are also available. A customising component in 2 versions - yellow or unpainted - enhances the Dialpack unit and makes it more ergonomic. A Dialpack S version in stainless steel type 304 is available for corrosive environments. This version conforms to enclosure standard EN 50298.

### ■ Plates and cross-pieces 4

A range of modular dimensioned plates facilitates the installation of all combinations of control and signalling units, operator dialogue terminals and other devices. These plates are attached directly to the framework of the front panel.

The plates, made from sheet steel and painted grey RAL 7016, are designed for the following product ranges :

- Ø 22, Ø 16 and Ø 30 control and signalling units,
- DIN format display units,
- Electronic operator terminals and displays (Magelis and others),
- keypads,
- other units : joystick controllers, cam switches, etc.

Cross-pieces aid vertical mounting of several rows of plates.

Cut-outs in the plates are dimensioned to suit the dialogue or display units that are to be installed. Some plate versions for Ø 22 units are available with knock-outs, which need to be removed before mounting the unit. Other versions incorporate cut-outs for the transparent polycarbonate legend holders (included with the plate).

Alternatively, solid plates are also available for mounting any special equipment required.

### ■ Toolkit 5

The installation of dialogue and display units requires cut-outs to be made through the polycarbonate film. To simplify this operation, the plate is marked with cut-out guides and a toolkit is available, comprising : a mallet, cutting tools and replacement blades.

### ■ Pre-assembled kits

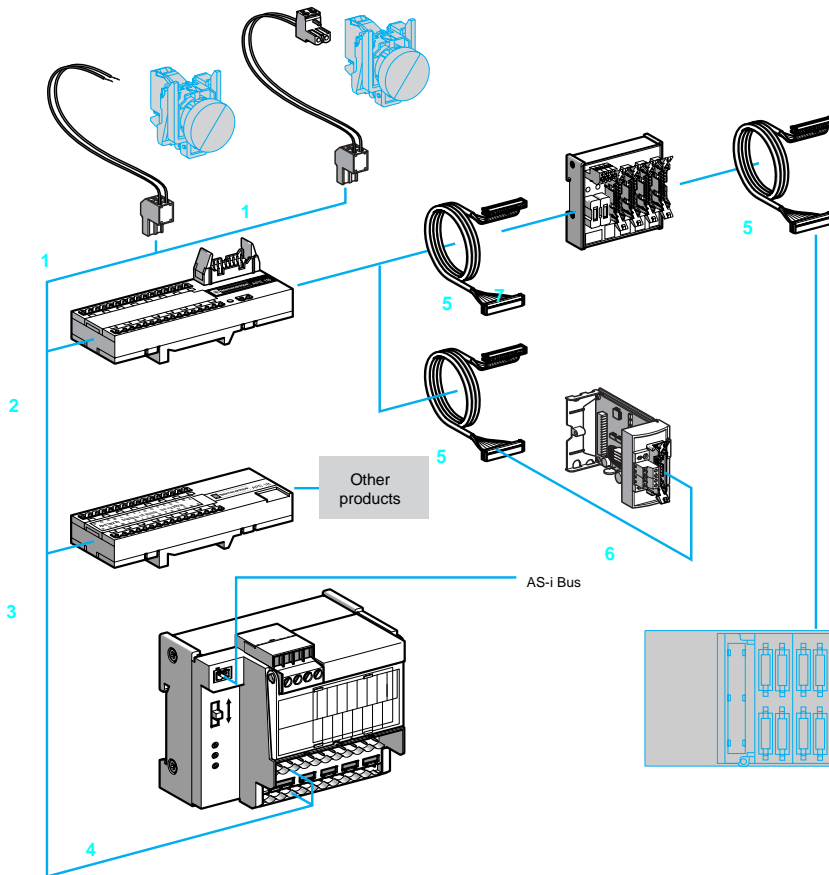
Dialboard and Dialpack with pre-assembled plates and cross-pieces are available.

# Modicon TSX Micro automation platform

## Installation system

### Tego Dial for Human-Machine interfaces

#### Standard connections



Tego Dial offers a range of interface components and cabling accessories that simplify connections between control and signalling units and PLCs, buses and other products.

The main components which make up this range are :

- prefabricated connection cables and insulation displacement connectors 1, 5 mm pitch, for connecting control and signalling units to Dialbase interfaces,
- Dialbase 8I/8O or 16I interfaces 2 with integrated commons, for connecting control and signalling units to PLCs via prefabricated Telefast connection cables 5,
- an active splitter block 7 for connecting a Dialbase 8I/8O interface to PLCs with a connection modularity greater than 8I/8O,
- a Dialbase 230 V interface 3 for connecting control and signalling units to any product up to 230V,
- a Dialbase AS-i 4I/4O interface 4 with integrated commons, for connecting control and signalling units to the AS-i bus.

The selection guide on page 2/40 indicates the type and quantity of components (Dialbase interfaces, active splitter block, Telefast connection cables) required to connect the control and signalling units to the various types of PLC. The most efficient connection is achieved using the Dialbase 8I/8O interface and the Telemecanique TSX Micro PLC TSX DMZ16DTK card 6.

2

2.2

#### Dialfix and Dialmove suspension arms



Dialpack control consoles can be fitted directly using 4 adjustable lugs, ref. AE3-FX122. However, for improved ergonomics, they are usually mounted on a suspension arm. This can either be fixed (Dialfix) or moving (Dialmove).

##### Dialfix fixed arms

Two versions are available :

- a straight fixed arm kit, comprising a straight  $\varnothing$  70 mm tube, 500 or 1000 mm in length, and a pair of clamps (one for each end). Depending on the positioning of the clamps, an inclination of  $\pm 15^\circ$  from the natural position can be achieved,
- an elbowed (90°) fixed arm kit, 500 mm in length. This kit also includes the pair of clamps described above.

##### Arms for corrosive environments

The arms are in 304 type stainless steel and provide 350° rotation on the Dialpack fixing side. Two models are available:

- straight arm kit, length 1000 mm,
- 90° elbowed arm kit, length 500 mm.

##### Dialmove moving arm

This arm enables an extensive choice of mounting configurations. The cabling runs through the elements, which have removable side covers for easy access.

Numerous configuration possibilities can be achieved by combining the following components:

- straight tubes (100 to 1000 mm long),
- fixed 90° joint,
- wall fixing bracket (straight or elbowed, fixed or mobile),
- straight fixing plates (one fixed, other rotating) for Dialpack,
- 15° tilted joints,
- pivoting joint (-90° to +90° in the same plane).

# Modicon TSX Micro automation platform

## Installation system

### Tego Power for motor power-stater components

2

2.2

#### General presentation

Tego Power is a modular system which standardises and simplifies the implementation of motor power-starters with its prewired control and power circuits. Hence, installation of a motor power-starter is quick, simple, safe and flexible with no wires needed for connection. In addition, this system enables the motor power-starter to be customised at a later date. The system reduces maintenance time and optimises panel space, by reducing the number of terminals, the amount of ducting and intermediate interfaces.

Two solutions are offered :

- A solution using Quickfit technology for TeSys motor power-starter components with spring terminals : model d contactors (9 to 32 A) and the GV2-ME motor circuit-breaker.
- A solution for TeSys motor power-starter components with screw terminals : model d (9 to 18 A) and model k (6 to 12 A) contactors and GV2 motor circuit-breakers.

#### Tego Power Design definition software

This software on CD-ROM enables the motor power-starter application to be graphically defined according to the circuit-breakers and contactors used. It determines which Tego Power products are required for the application. Referencing labels can also be created for the starters.

#### System for Quickfit technology TeSys motor power-starters with spring terminals

The motor power-starters concerned are those formed by combining :

- GV2-M circuit-breakers,
- with 9 to 32 A model d (LC1) contactors.

Consisting of simple parts, Tego Power Quickfit technology is used to create motor starter assemblies up to 15 kW/400 V.

The main components which make up this range are :

#### For the power circuit

- a **power kit** comprising, for each starter, a plate **1** for mounting the contactor and the circuit-breaker, and the two power connection modules **2**,
- a **power splitter box 5** for 2 or 4 starters,
- an **upstream terminal block 6** for a power supply up to 63 A (16 mm<sup>2</sup>),
- a **downstream terminal block 7** for connecting the motor power supply cables and the earth cables (6 mm<sup>2</sup>).

#### For the control circuit

- a **control splitter box 3** for 2 or 4 starters, with control-command data on HE 10 connector. The data on 4 to 8 starters can be fed back directly to the PLC via an 8I/8O or 16I/8O Telefast cable or to a fieldbus module (AS-i, Fipio, CANopen, DeviceNet, Interbus, Profibus) (see opposite page).
- a **control circuit connection module 4** which plugs directly into the contactor and the circuit-breaker on each starter. This module concentrates the motor starter control-command data. It integrates the circuit-breaker status data in the prewiring of the contactor control circuit.

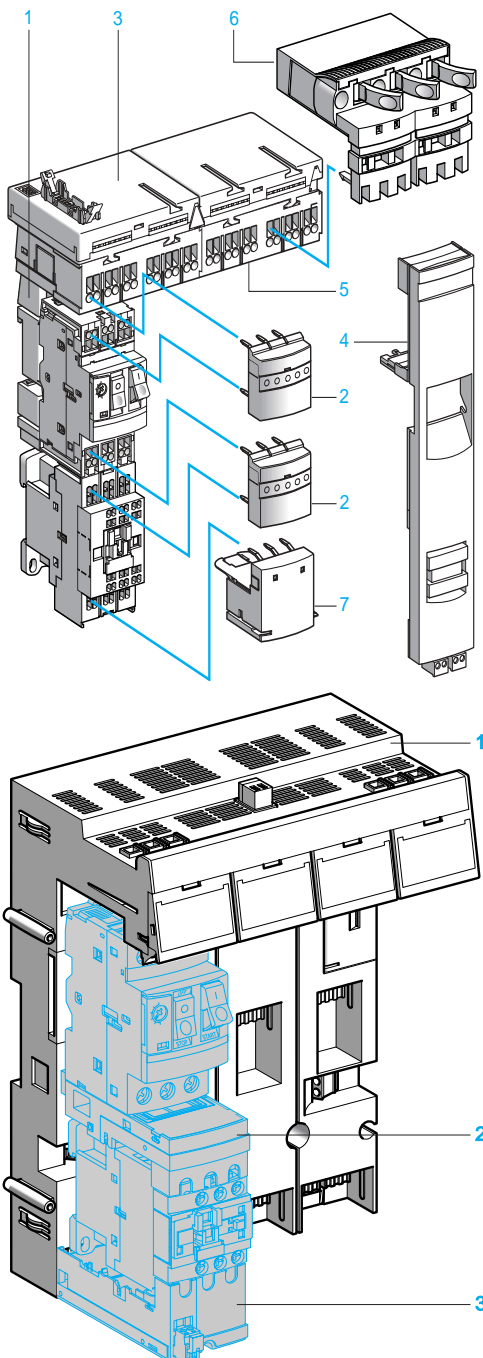
#### System for TeSys motor power-starters with screw terminals

The motor power-starters concerned are those formed by combining :

- GV2 circuit-breakers (mainly GV2-ME and GV2 P),
- with 6 to 12 A model k contactors (LC1, LP1, LC2, LP2, LP4, LP5) and 9 to 18 A model d contactors (LC1).

The main components which make up this range are :

- **modular sub-bases 1** for 2 or 4 direct or reversing contactors, consisting of a prefabricated power busbar system and a control-command circuit. These sub-bases can be combined to form a variable configuration of 2, 4, 6 or 8 direct starters.
- the **sub-base interconnection kit** to interconnect the control and power circuits on two sub-bases.
- **connection blocks 2 and 3** which perform the following three functions :
  - ensure the mechanical fixing of the motor starter to the modular sub-base,
  - connect the power terminals of the contactor and circuit-breaker,
  - connect the auxiliary contact and A1-A2 coil terminals to the modular sub-base.



# Modicon TSX Micro automation platform

## Installation system

### Tego Power for motor power-starter components

#### Communication modules

##### General

Communication modules are used to send I/O data from a Tego Power motor power-starter configuration to the PLC.

The communication modules is selected according to the type of connection required :

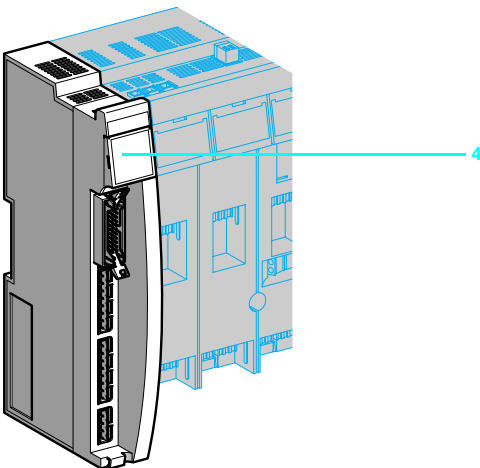
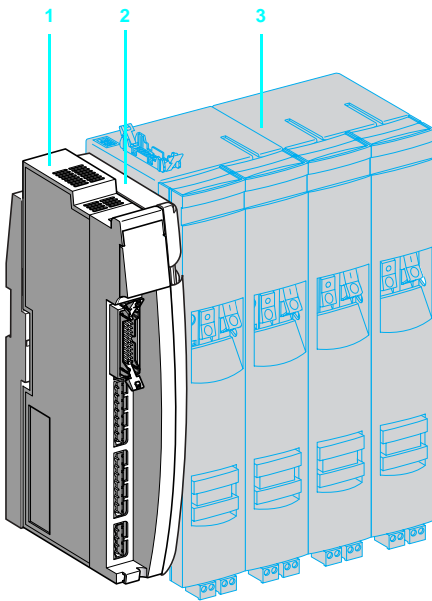
- in parallel mode (modules, terminal blocks or HE 10),
- or in serial mode on the bus (AS-i bus, Interbus S, Fipio, Profibus DP, CANopen or DeviceNet modules).

The communication modules are the same, whether the TeSys motor power-starter system uses spring or screw terminals.

##### Modules in a TeSys motor power-system with spring terminals

Motor power-starters can be connected to a PLC or a bus in two ways :

- by direct connection from the control circuit splitter box **3** with 4 starters, with an HE 10 connector (8I/8O) or two HE 10 connectors (16 I and 8 O),
- by a Tego Power module **1** using an **APP-2CX** adaptor plate **2**.



##### Modules in a TeSys motor power-starter system with screw terminals

A module **4** is mounted by direct mechanical assembly on the modular sub-base , with no screws or accessories.

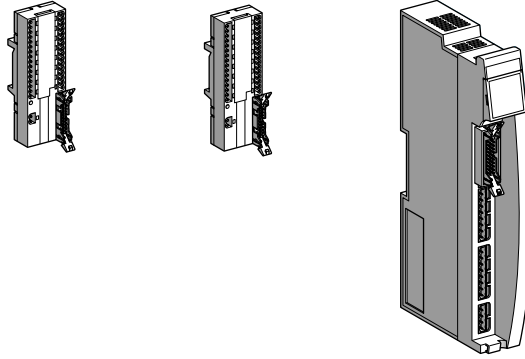
The electrical connection between the modular sub-base and the communication module is made using an HE 10 connector.

# Modicon TSX Micro automation platform

## Tego Dial/Tego Power installation system

### Tego Dial for Human-Machine interfaces and Tego Power for motor power-starter components

Automation platform      Tego Dial components      Tego Power components



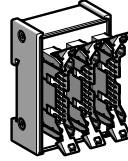
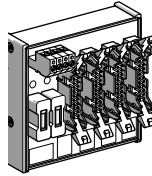
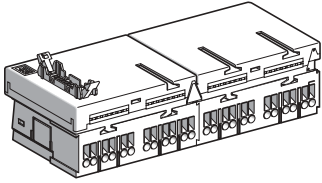
2

2.2

Type	Modularity of connection to the PLC	Compatible I/O modules	Tego Dialbase 8 I/8 O	Tiego Dialbase 16 I	Communication module or control splitter box with 8 I/8 O
			APE 1B24M	APE 1B24E	APP 1CH, APP 2R4H1/H3
<b>TSX Micro platform</b>					
Tego Dial	8 inputs + 8 outputs	TSX DMZ 16DTK	1		
	16 inputs + 16 outputs	TSX DMZ 64DTK	1 (1)		
	16 inputs	TSX DMZ 64DTK/28DTK		1	
Tego Power	8 inputs + 8 outputs	TSX DMZ 16DTK			1
	16 inputs + 16 outputs	TSX DMZ 64DTK			1
<b>Premium platform</b>					
Tego Dial	16 inputs + 16 outputs	TSX DEY 16FK/32D2K/64D2K TSX DSY 32T2K/64T2K	1 (1)		
	16 inputs	TSX DEY 16FK/32D2K/64D2K			
Tego Power	16 inputs + 16 outputs	TSX DEY 32D2K/64D2K/16FK TSX DSY 32T2K/64T2K			1
<b>Quantum platform</b>					
Tego Dial	32 inputs + 32 outputs	140 DDI 353 00/10, 140 DDI 853 00, 140 DD0 353 00/10	1 (1)		
	32 inputs	140 DDI 353 00/10, 140 DDI 853 00		1	
Tego Power	32 inputs + 32 outputs	140 DDI 353 00/10, 140 DDI 853 00, 140 DD0 353 00/10			1
<b>Advantys STB discrete I/O</b>					
Tego Power	16 inputs + 8 outputs	STB EPI 1145			

(1) For the connection of a second Dialbase APE 1B24M, use 2 x TSX DP ●●3 connecting cables.

Connection accessories



2

2.2

Control splitter box 16 I/16 O	Control splitter box	Splitter box 16 I + 16 O in 2 x (8E+8S)	Splitter box 16 to 2 x 8	Telefast connecting cables		
				TSX CDP ●●3	ABF M32H●●0	STB XCA 300●
APP 2RH2/H4		APE 1R1628	ABE 7ACC 02	TSX CDP ●●3	ABF M32H●●0	STB XCA 300●
				1		
		1		2		
		1				
				1		
		1 (2)		3		
1			1 (3)	3		
		1		2		
				2		
		1 (2)		3		
1			1 (3)	3		
		1		1	2	
					1	
		1 (2)		1	2	
1			1 (3)	1	2	
	APP 2R2E (2 motor-starters)	APP 2R4E (4 motor-starters) (4)				1





(2) 8 I + 8 O remain available. To connect a second APP-1CH module or APP-2●●● 8 E + 8 S control splitter box, use a additional TSX CDP ●●4 cable.  
 (3) 8 O remain available on ABE-7ACC02. To connect them a second AAP-2●●● 16 I/8 O control splitter box, use a additional TSX CDP ●●3 cable.  
 (4) For 8 motor-starters, to use 2 APP 2R4E control and power splitters.

# Modicon TSX Micro automation platform

Phaseo power supplies for d.c. control circuits

2

2.3

Functions	Supplies for d.c. control circuits				
Type of product	Single-phase, modular switch mode power supplies		Single-phase, regulated switch mode power supplies		
					
Applications	Industrial, commercial or residential applications. Modular format allowing integration into panels.		Simple, low power equipment.	Industrial applications, low and medium power. Machine equipment applications.	Industrial or commercial applications on sites sensitive to mains interference. Protection against accidental restarting.
Nominal power	22 W	30 W	7 W...30 W	48...240 W	60...240 W
Input voltage	~ 100...240 V single-phase		~ 100...240 V single-phase --- 110...220 V compatible (1)	~ 100...240 V single-phase	~ 100...240 V single-phase, --- 110...220 V compatible (1)
Output voltage	--- 12 V adjustable	--- 24 V adjustable	--- 24 V adjustable	--- 24 V adjustable	--- 12, 24 V or 48 V adjustable
Technology	Primary switch mode electronic power supplies.				
Secondary protection	Integrated, against overloads and short-circuits, with automatic reset.			Integrated, against overloads and short-circuits, with manual and automatic reset.	
Signalling	Output indicator lamp.			Output and input indicator lamp.	
Other characteristics	-		Connection by lug-clamps possible	-	Anti-harmonic distortion filter
Mounting	Direct on rail		Direct, on rail and on panel	Direct on rail	
Disturbance (conforming to EN55011/22) conducted and radiated	cl.B		cl.A (7/15 W) cl.B (30 W)	cl.B	
Conforming to standards	EN 50081-1, IEC 61000-6-2 (EN 50082-2), IEC 950, EN61131-2/A11		EN 50081-2, IEC 61000-6-2, EN 60950	EN 50081-1, IEC 61000-6-2, (EN 50082-2), IEC 950	EN 50081-1, IEC 61000-6-2, (EN 50082-2), IEC 950, 61000-3-2
Approvals	UL, CSA, TÜV		cULus, TÜV	UL, CSA, TÜV, CTick	
Device type	ABL 7RM		ABL 7CEM	ABL 7RE	ABL 7RP
Pages	-		2/52		

(1) Compatible input voltage, not indicated on the product.



2-phase regulated switch mode power supplies	3-phase regulated switch mode power supplies	Regulated switch mode power supplies for AS-i
--	--	---



Industrial applications.	Industrial applications. In-line continuous process equipment, machine tools, injection presses, etc.	Industrial applications. Supply of d.c. voltage necessary for AS-i systems.
--------------------------	--	--

120 and 240 W	240 and 480 W	120 W	240...960 W	72 W	145 W	2 x 72 W
~ 2 x 380...415 V 2-phase	~ 3 x 380...415 V 3-phase	~ 3 x 400...520 V 3-phase	~ 3 x 400...520 V 3-phase	~ 100...240 V single-phase		
= 24 V adjustable				= 30 V		= 24 V adjustable

Primary switch mode electronic power supplies.

Integrated, against overloads and short-circuits, with manual and automatic reset.	Integrated, against overloads and short-circuits, overvoltage and undervoltage.
--	---

Output indicator lamp.	Output and input indicator lamps.
------------------------	-----------------------------------

-	-	Anti-harmonic distortion filter	-
---	---	---------------------------------	---

Direct on ~ rail	Direct on ~ rail (except ABL-7UPS 24200 and ABL-7UPS24400)	Direct on ~ rail
------------------	--	------------------

cl.B	cl.B	cl.B
------	------	------

EN 50081-1, EN 50082-2, EN 60950	EN 50081-1, EN 50082-2, EN 60950	EN 50081-1, EN 50082-2, EN 60950, IEC 61000-3-2	EN 50081-1, IEC 61000-6-2, EN 55022 class B
-	-	cULus, cULus	UL, CSA, TÜV

ABL 7REQ	ABL 7UEQ	ABL 7UES	ABL 7UPS	ASI ABL
----------	----------	----------	----------	---------

2/52	-
------	---

# Modicon TSX Micro automation platform

## Power supplies for d.c. control circuits

2

2.3

### ABL-7 power supplies

The ABL-7 range of power supplies is designed to provide the d.c. voltage necessary for the control circuits of automation system equipment. Split into three families, this range meets all the needs encountered in industrial, commercial and residential applications. Single-phase or 3-phase, of the electronic switch mode type, they provide a quality of output which is suitable for the loads supplied and compatible with the mains supply available in the equipment. Clear guidelines are given for selecting protection devices which are often used with them and thus a comprehensive solution is provided, which can be used in total safety.

### Phaseo switch mode power supplies

These switch mode power supplies are totally electronic and regulated. The use of electronics makes it possible to significantly improve the performance of these power supplies, which offer:

- very compact size,
- integrated overload, short-circuit, overvoltage and undervoltage protection,
- a very wide range of permissible input voltages, without any adjustment,
- a high degree of output voltage stability,
- good performance,
- LED indicators on the front panel.

Phaseo power supplies are available in single-phase and 3-phase versions. They deliver a voltage which is precise to 3%, whatever the load and whatever the type of mains supply, within a range of 85 to 264 V for single-phase, or 360 to 550 V for 3-phase. Conforming to IEC standards and UL and CSA certified, they are suitable for universal use. The inclusion of overload and short-circuit protection makes downstream protection unnecessary if discrimination is not required.

ABL-7 RE and ABL-7 RP supplies are also equipped with an output undervoltage control which causes the product to trip if the output voltage drops below 19 V, in order to ensure that the voltage delivered is always usable by the actuators being supplied. All the products are fitted with an output voltage adjustment potentiometer in order to be able to compensate for any line voltage drops in installations with long cable runs. Most of our power supplies are designed for direct mounting on 35 and 75 mm  $\bar{U}$  rails.

These power supplies are available in single-phase and 3-phase versions and are split into three families:

#### Compact single-phase supply ABL-7CEM:

- power less than or equal to 30 W (1.2 A),
- compact size,
- for all low power equipment,
- suitable for use in automation system environments based on the Nano and Twido platforms, or in any automation system configuration requiring a  $\bar{U}$  24 V supply.

#### Universal single-phase supplies ABL-7RE and ABL-7RP:

- **ABL-7RE**
  - power between 48 W (2 A) and 240 W (10 A),
  - compact size,
  - for all machine equipment,
  - suitable for use in automation system environments based on the Micro and Premium platforms, or in any automation system configuration requiring a  $\bar{U}$  24 V supply.
- **ABL-7RP**
  - power between 60 W (2.5 A) and 240 W (10 A),
  - output voltage available:  $\bar{U}$  12, 24 and 48 V,
  - input filter (PFC) for commercial and residential environments (conforming to standard EN 61000-3-2),
  - two operating modes possible for handling of overload and short-circuit faults:
    - "AUTO" mode which provides automatic restarting of the power supply on elimination of the fault,
    - "MANU" mode which requires manual resetting of the power supply to restart. Resetting is achieved by switching off the mains power.

108700-13-M



ABL 7CEM

43387-15-M



ABL-7RP

# Modicon TSX Micro automation platform

## Power supplies for d.c. control circuits



ABL-7UPS

ABL-7REQ

### Phase switch mode power supplies (continued)

#### 3-phase and single-phase process supplies ABL-7U and ABL-7REQ:

##### ■ ABL-7UE

- power between 120 W (5 A) and 480 W (20 A),
- compact size,
- voltages between 3 x 380 V and 3 x 500 V,
- for use in industrial applications, for all in-line or continuous process equipment, machine tools and injection presses, etc.
- suitable for use in automation system environments based on the Premium and Quantum platforms, or in any automation system configuration requiring a  $\approx$  24 V supply.

##### ■ ABL-7UPS

- power between 120 W (10 A) and 960 W (40 A).
- Identical to the **ABL-7UE** range, this power supply differs in that it includes a filter (PFC) which means that it can be connected directly to the public mains supply, in compliance with standard EN 61000-3-2. This product, for world-wide use, is UL certified.

##### ■ ABL-7 REQ

- power between 120 W (5 A) and 240 W (10 A),
- compact size,
- can be connected to **2-phase** input voltages between 380 V and 415 V, to replace older power supplies connected by only two wires. Economical, more competitive, yet with a smaller input voltage range it can, in certain cases, be used in place of the 3-phase versions.

### Using $\approx$ 24 V

■ Using  $\approx$  24 V enables so-called protection installations (PELV) to be built. Using PELV is a measure designed to protect people from direct and indirect contact. Measures relating to these installations are defined in publication NF C 12-201 and in standard IEC 364-4-41.

■ The application of these measures to the electrical equipment in machines is defined in standard NF EN 60204-1 and requires:

- that the voltage used is below 60 V d.c. in dry environments and below 30 V in damp environments,
- the connection of one side of the PELV circuit, or one point of the source, to the equipotential protection circuit associated with higher voltages,
- the use of switchgear and control gear on which measures have been taken to ensure "safety separation" between power circuits and control circuits.

■ A safety separation is necessary between power circuits and control circuits in PELV circuits. Its aim is to prevent the appearance of dangerous voltages in  $\approx$  24 V safety circuits.

■ The reference standards involved are:

- IEC 61558-2-6 and EN 61558-2-6 (safety transformers),
- IEC 664 (coordination of isolation).

Telemecanique power supplies meet these requirements.

■ Moreover, to ensure that these products will operate correctly in relation to the demands of their reinforced isolation, it is recommended that they be mounted and wired as indicated below:

- they should be placed on an earthed mounting plate or rail,
- they should be connected using flexible cables, with a maximum of two wires per connection, and tightened to the nominal torque,
- conductors of the correct insulation class must be used.

■ If the d.c. circuit is not connected to an equipotential protection conductor, an earth leakage detector will indicate any accidental earth faults (please consult your Regional Sales Office).

### Operating voltage

■ The permissible tolerances for the operating voltage are listed in publications IEC 1131-2 and DIN 19240.

■ For nominal voltage  $U_n = \approx$  24 V, the extreme operating values are from - 15 % to + 20 % of  $U_n$ , whatever the supply fluctuations in the range -10 % to + 6 % (defined by standard IEC 38) and load variations in the range 0-100 % of  $I_n$ . All Telemecanique  $\approx$  24 V power supplies are designed to provide a voltage within this range.

■ It may be necessary to use a voltage measurement relay to detect when the normal voltage limits are being surpassed and to deal with the consequences of this (please consult your Regional Sales Office).

# Modicon TSX Micro automation platform

## Power supplies for d.c. control circuits

### Selection of power supplies

The characteristics to be taken into account when selecting a power supply are:

- the required output voltage and current,
- the mains voltage available in the installation.

An initial selection can be made using the table opposite.

This may however result in several products being selected as suitable.

Other selection criteria must therefore be taken into account.

#### ■ The quality of the mains power supply

The Phaseo range is the solution because it guarantees precision to 3% of the output voltage, whatever the load current and the input voltage. In addition, the wide input voltage range of Phaseo power supplies allows them to be connected to all mains supplies within the nominal range, without any adjustment.

The Phaseo RP family can also be connected to  $\approx$  110 and 220 V emergency supplies.

#### ■ Harmonic pollution (power factor)

The current drawn by a power supply is not sinusoidal. This leads to the existence of harmonic currents which pollute the mains supply. European standard EN 61000-3-2 limits the harmonic currents produced by power supplies. This standard covers all devices between 75 W and 1000 W, drawing up to 16 A per phase, and connected directly to the public mains power supply. Devices connected downstream of a private, low voltage general transformer are therefore excluded.

Regulated switch mode supplies always produce harmonic currents; a filter circuit (Power Factor Correction or PFC) must therefore be added to comply with standard EN 61000-3-2.

Phaseo ABL-7RP and ABL-7UPS power supplies conform to standard EN 61000-3-2 and can therefore be connected directly to public mains power supplies.

#### ■ Electromagnetic compatibility

Levels of conducted and radiated emissions are defined in standards EN 55011 and EN 55022.

The majority of products in the Phaseo range have class B certification and can be used without any restrictions due to their low emissions.

ABL-7CEM24003 and ABL-7CEM24006 power supplies have class A certification. It is recommended that they should not be used in the following equipment: trains, aircraft, nuclear applications and in any environment where malfunctioning could cause serious injuries or lead to death. These products are designed for use in industrial equipment and are not suitable for use in residential environments.

#### ■ Behaviour in the event of short-circuits

Phaseo power supplies are equipped with an electronic protection device. This protection device resets itself automatically on elimination of the fault (around 1 second for ABL-7 RE/RP, around 3 seconds for ABL-7 UE/UP/REQ) which avoids having to take any action or change a fuse. In addition, the Phaseo ABL-7RP/U/REQ ranges allow the user to select the reset mode in the event of a fault:

- in the "AUTO" position, resetting is automatic,
- in the "MANU" position, resetting occurs after elimination of the fault and after switching the mains power off and back on.

This feature allows Phaseo ABL-7RP/U/REQ power supplies to be used in installations where the risks associated with untimely restarting are significant.

#### ■ Behaviour in the event of phase failure

In the event of failure of one phase, all Phaseo 3-phase power supplies switch to relaxation mode for as long as the input voltage is < 450 V.

For operation on higher voltages (e.g. 480 V), use of an upstream GV2 type residual current protection device is recommended.

#### ■ Selection of reset mode

- on the ABL-7RP family of products:

By microswitch on the front panel of the product.

- on the ABL-7U/REQ family of products:

By jumper on the front panel. **Warning: selection of the function is only possible after the mains power supply has been switched off for at least 5 minutes.** The jumper is moved using a pair of insulated, flat-nose pliers.

# Modicon TSX Micro automation platform

Power supplies for d.c. control circuits

2

2.3

Selection according to application characteristics									
Type of mains supply	Single-phase				2-phase	3-phase			
Rated mains supply voltage	$\sim$ 100...240 V 50/60 Hz $\equiv$ 110... 220 V (1) Wide range				100...240 V 50/60 Hz Wide range	2 x 380...415 V 50/60 Hz	3 x 380...415 V 50/60 Hz	3 x 400...520 V 50/60 Hz Wide range	3 x 380...520 V 50/60 Hz Wide range
Permissible variation	85...264 V, 47...63 Hz $\equiv$ 100...250 V (1), $\equiv$ 105...370 V (2)				85...264 V 47...63 Hz	340...460 V 47...63 Hz	340...460 V 47...63 Hz	360...550 V 47...63 Hz	340...550 V 47...63 Hz
Output voltage	12 V	48 V	24 V	24 V	24 V	24 V	24 V	24 V	24 V
Output current	0.3 A		ABL-7CEM24003						
	0.6 A		ABL-7CEM24006						
	1.2 A		ABL-7CEM24012						
	2 A			ABL-7RE2402					
	2.5 A	ABL-7RP4803							
	3 A		ABL-7RP2403	ABL-7RE2403					
	5 A	ABL-7RP1205		ABL-7RP2405	ABL-7RE2405	ABL-7REQ24050		ABL-7UES24050	
	10 A		ABL-7RP2410	ABL-7RE2410	ABL-7REQ24100	ABL-7UEQ24100			ABL-7UPS24100
	20 A						ABL-7UEQ24200		ABL-7UPS24200
40 A								ABL-7UPS24400	
Conforming to EN 61000-3-2	Yes (not applicable for <b>ABL-7CEM</b> )				No	No	No	No	Yes
Integrated automatic protection	Yes Automatic or manual restart on <b>ABL-7RP</b> Automatic restart only on <b>ABL-7CEM</b>				Yes Automatic restart	Yes Automatic or manual restart			

(1) Values for **ABL-7RP** power supplies, not indicated on the product.  
 (2) Values for **ABL-7CEM** power supplies, not indicated on the product.

# Modicon TSX Micro automation platform

Power supplies for d.c. control circuits  
Phaseo regulated switch mode power supplies

## Technical characteristics

Type of power supply	ABL-7CEM	ABL-7RE	ABL-7RP
Product certifications	cULus, TÜV	UL, CSA, TÜV, CTick	
Conforming to standards	UL 508	UL 508, CSA 22.2 n° 950	
Safety	IEC/EN 60950		IEC/EN 61496-1-2
EMC	EN 50081-2, EN 50082-2	EN 50081-1, IEC 61000-6-2 (EN 50082-2)	
Low frequency harmonic currents	–	–	EN 61000-3-2

## Input circuit

LED indication		–	Orange LED	Orange LED
Input voltages	Rated values	<b>V</b>	~ 100...240, --- 110...220 compatible (1)	~ 100...240 --- 110...220 compatible (1)
	Permissible values	<b>V</b>	~ 85...264, --- 105...370 compatible (1)	~ 85...264 single-phase --- 100...250 compatible (1)
Permissible frequencies		<b>Hz</b>	47...63	
Efficiency at nominal load			> 70 %	> 85 %
Current consumption	Ue = 240 V	<b>A</b>	0.1 (7 W)/0.2 (15 W)/0.45 (30 W)	0.6 (48 W)/0.83 (72 W) 1.2 (120 W)/2.5 (240 W)
	Ue = 100 V	<b>A</b>	0.17 (7 W)/0.3 (15 W)/0.68 (30 W)	1.2 (48 W)/1.46 (72 W) 1.9 (120 W)/3.6 (240 W)
Current at switch-on		<b>A</b>	< 50	< 30
Power factor			0.45 approx.	0.65 approx.
				0.98 approx.

## Output circuit

LED indication		Green LED	Green LED	Green LED
Nominal output voltage (U out)	<b>V</b>	--- 24		12, 24 and 48
Nominal output current	<b>A</b>	0.3/0.6/1.2	2/3/5/10	2.5/5/10
Precision	Output voltage		Adjustable from 90 to 110 %	Adjustable from 100 to 120 %
	Line and load regulation		2 % max	± 3 %
	Residual ripple - interference	<b>mV</b>	< 200 (peak-peak)	
Micro-breaks	Holding time at I max and Ve min	<b>ms</b>	> 20	> 10
Temporary overloads	Permissible inrush current (U out >19V)		See curves page 2/59	
Protection	Short-circuit		Permanent/automatic restart	Permanent/automatic restart
	Overload		1.05 In	1.1 In
	Overvoltage		U > 1.2	Tripping if U > 1.5 Un
	Undervoltage		–	Tripping if U < 0.8 Un

## Operating and environmental characteristics

Connections	Input	<b>mm<sup>2</sup></b>	2 x 2.5 + earth	
	Output	<b>mm<sup>2</sup></b>	2 x 2.5	2 x 2.5 + earth, multiple output, depending on model
Ambient conditions	Storage temperature	<b>°C</b>	- 25... + 70	
	Operating temperature	<b>°C</b>	- 10... + 60 (derating as from 50° C, mounted vertically)	0... + 60 (derating as from 50° C, mounted vertically)
	Max. relative humidity		20...90 %	95 % without condensation or dripping water
	Degree of protection		IP 20 conforming to IEC 529	
	Vibrations		Conforming to IEC 61131-2	
Operating position			Vertical and horizontal (see derating curve, page 2/58)	Vertical
MTBF at 40°			> 100 000 h	
Connections	Series		Possible (see page 2/59)	
	Parallel		No	Possible (max. temperature 50° C)
Dielectric strength	Input/output		3000 V/50 and 60 Hz 1 min	3000 V/50 and 60 Hz 1 min
	Input/earth		2000 V/50 and 60 Hz 1 min	3000 V/50 and 60 Hz 1 min
	Output/earth (and output/output)		500 V/50 and 60 Hz 1 min	500 V/50 and 60 Hz 1 min
Input fuse incorporated			Yes (not interchangeable)	
Disturbance	Conducted		EN 50081-2 (generic) EN 55011/EN 55022 class A (7 and 15 W) EN 55011/EN 55022 class B (30W)	EN 50081-1 EN 55011/EN 55022 class B
	Radiated		EN 55011/EN 55022 class B	
Immunity			IEC 61000-6-2 (generic)	
	Electrostatic discharge		EN 61000-4-2 (4 kV contact/8 kV air)	
	Electromagnetic		EN 61000-4-3 level 3 (10 V/m)	
	Conducted interference		EN 61000-4-4 level 3 (2 kV) , EN 61000-4-5, EN 61000-4-6 level 3, EN 61000-4-8 level 4	
	Mains interference		EN 1000-4-11 (voltage drops and cuts)	

(1) Compatible input voltage, not indicated on the product.

# Modicon TSX Micro automation platform

Power supplies for d.c. control circuits  
Phaseo regulated switch mode power supplies

## Technical characteristics

Type of power supply	ABL-7REQ24●	ABL-7UEQ24●	ABL-7UES24●	ABL-7UPS24●
Product certifications	-			cULus, cULus
Conforming to standards				
Safety	EN 60950			
EMC	EN 50081-1, EN 50082-2			
Low frequency harmonic currents	-			EN 61000-3-2

## Input circuit

LED indication	-				
Input voltages					
Rated values	V	~ 2 x 380...415	~ 3 x 380...415	~ 3 x 400...520	~ 3 x 400...520
Permissible values	V	~ 2 x 340...460	~ 3 x 340...460	~ 3 x 360...550	~ 3 x 360...550
Permissible frequencies	Hz	50...60			
Efficiency at nominal load		> 85 %	> 90 %		
Current consumption					
Ue = 400 V	A	0.65 (120 W)/1.2 (240 W)	0.75 (240 W)/1.5 (480 W)	0.7 (240 W)/1.2 (480 W)/1.7 (960 W)	
Current at switch-on	A	<35			
Power factor		0.6	0.55	0.7	0.7/0.9 (960 W)
2-phase operating mode	V	-	Relaxation if input voltage < ~ 450		

## Output circuit

LED indication	Green LED				
Nominal output voltage (U out)	V	= 24			
Nominal output current	A	5/10	10/20	5	10/20/40
Precision					
Output voltage	Adjustable from 100 to 116%				
Line and load regulation	1 % max				
Residual ripple - interference	mV	< 200 (peak-peak)			
Micro-breaks					
Holding time for I max and Ve min	ms	15	10		Between 8 and 13
Temporary overloads					
Permissible inrush current (U out >19V)	See curves, page 2/59				
Protection					
Short-circuit	Permanent/automatic or normal restart				
Overload	1.20 In < 50 ms				
Overvoltage	V	28.5 typical			
Undervoltage	V	19 typical			

## Operating and environmental characteristics

Connections	Input	mm <sup>2</sup>	2 x 1.5...2.5 mm <sup>2</sup> + earth		
	Output	mm <sup>2</sup>	4 x 1.5...2.5 mm <sup>2</sup>	4 x 4...6 mm <sup>2</sup>	4 x 1.5...2.5 mm <sup>2</sup>
					4 x 1.5...2.5 mm <sup>2</sup> + earth (240 W) 4 x 4...6 mm <sup>2</sup> + earth (480 W) 4 x 4...10 mm <sup>2</sup> + earth (960 W)
Ambient conditions	Storage temperature	°C	- 25...+ 70		
	Operating temperature	°C	0° C...+ 60° C		
	Maximum relative humidity		30...90 %		
	Degree of protection		IP 20 or IP XXB		
	Vibrations		Conforming to IEC 61131-2		
Operating position	Vertical				
MTBF	> 100 000 h				
Connections	Series	Possible			
	Parallel	See page 2/58			
Dielectric strength	Input/output	3750 V/50 and 60 Hz 1 min			
	Input/earth	3500 V/50 and 60 Hz 1 min			
	Output/earth (and output/output)	500 V/50 and 60 Hz 1 min			
Input fuse incorporated	No				
Disturbance	Conducted/radiated	EN 55011/EN 5022 - class B			
Immunity	Electrostatic discharge	EN 61000-4-2 (4 kV contact/8 kV air)			
	Electromagnetic	EN 61000-4-3 level 3 (10 V/m)			
	Conducted interference	EN 61000-4-4 level 3 (2 kV), EN 61000-4-5, EN 61000-4-6 level3, EN 61000-4-8 level 4 (for ABL-7RE/RP)			
	Mains interference	EN 61000-4-11 (voltage drops and cuts)			

# Modicon TSX Micro automation platform

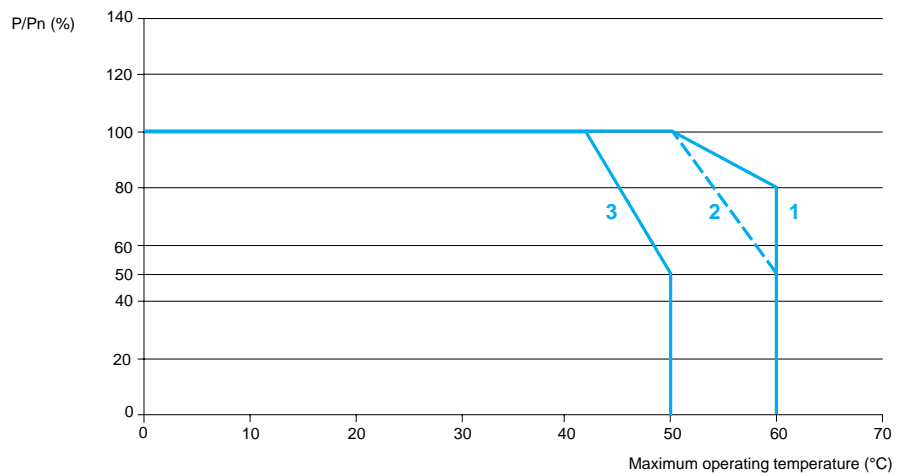
Power supplies for d.c. control circuits  
Phaseo regulated switch mode power supplies

## Derating

The ambient temperature is a determining factor which limits the power that an electronic power supply can deliver continuously. If the temperature around the electronic components is too high, their life will be significantly reduced. Conversely, a power supply can deliver more than its nominal power if the ambient temperature remains largely below the rated operating temperature.

The rated ambient temperature for Phaseo power supplies is 50 °C. Above this, derating is necessary up to a maximum temperature of 60 °C.

The graph below shows the power (in relation to the nominal power) which the power supply can deliver continuously, according to the ambient temperature.



- 1 ABL-7RE, ABL-7RP, ABL-7U mounted vertically
- 2 ABL-7CEM mounted vertically
- 3 ABL-7CEM mounted horizontally

Derating should be considered in extreme operating conditions:

- intensive operation (output current permanently close to the nominal current, combined with a high ambient temperature),
- output voltage set above 24 V (to compensate for line voltage drops, for example),
- parallel connection to increase the total power.

## General rules to be complied with

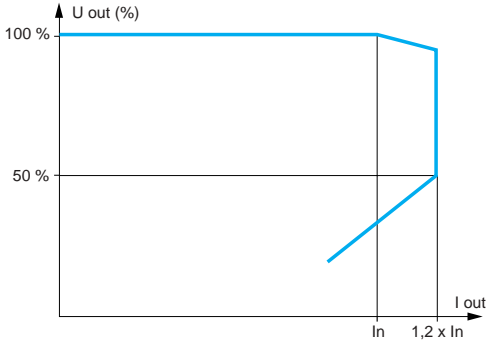
<b>Intensive operation</b>	See derating on above graph. Example for ABL-7RE: - without derating, from 0 °C to 50 °C, - derating of nominal current by 2%, per additional °C, up to 60 °C.
<b>Rise in output voltage</b>	The nominal power is fixed. Increasing the output voltage means that the current delivered must be reduced
<b>Parallel connection to increase the power (except ABL-7CEM)</b>	The total power is equal to the sum of the power supplies used, but the maximum ambient temperature for operation is 50 °C. To improve heat dissipation, the power supplies must not be in contact with each other

In all cases, there must be adequate convection round the products to ensure easier cooling. There must be a clear space of 50 mm above and below Phaseo power supplies and of 15 mm at the sides.

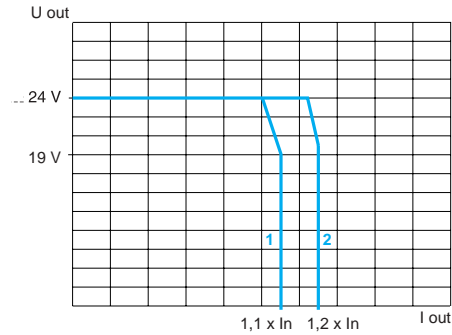


### Load limit

ABL-7CEM24●●●



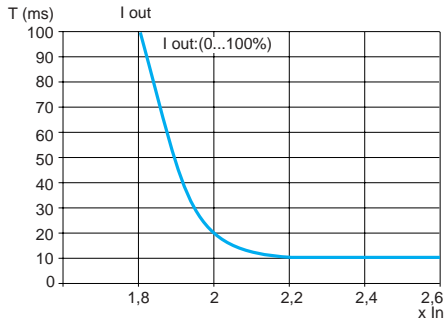
ABL-7RE24●●/ABL-7RP●●●●●  
ABL-7U●●24●●/ABL-7REQ●●●●●



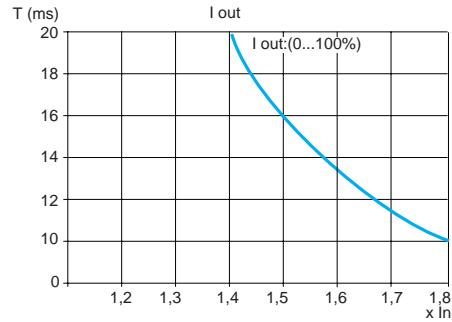
1 ABL-7RE24●●/ABL-7RP●●●●●  
2 ABL-7U●●24●●/ABL-7REQ●●●●●

### Temporary overloads

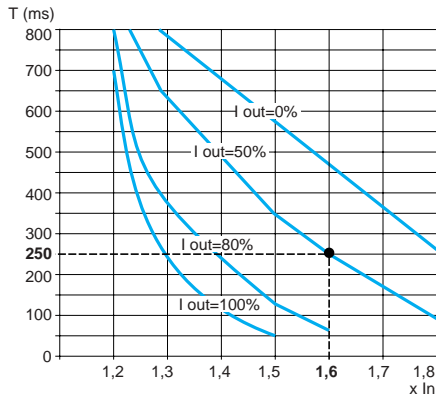
ABL-7CEM



ABL-7RE/ABL-7RP



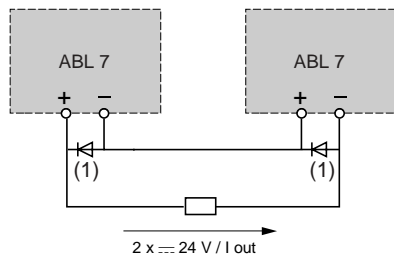
ABL-7U



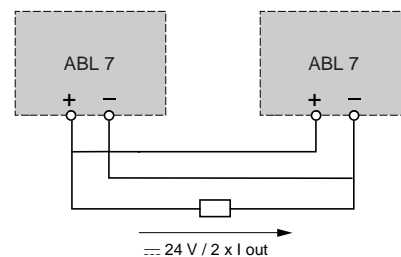
Example: For an ABL-7UPS24●●● power supply with 50 % loading. (I out = 50 %), this power supply can absorb a current peak of 1.6 x In for 250 ms with an output voltage  $\geq 19$  V.

### Series or parallel connection

Series connection



Parallel connection



Family	Series	Parallel
ABL-7CEM	2 products max (1)	No
ABL-7RE/RP	2 products max	2 products max
ABL-7U/REQ	2 products max	2 products max

(1) 2 Shottky diodes 2 A/100 V on ABL-7CEM only.

# Modicon TSX Micro automation platform

Phaseo regulated switch mode power supplies  
Upstream protection

## ABL-7CEM, ABL-7RE and ABL-7RP power supplies: protection of the power supply line

Type of mains supply	~ 115 V single-phase			~ 230 V single-phase		
Type of protection	Thermal-magnetic circuit-breaker		gG fuse	Thermal-magnetic circuit-breaker		gG fuse
	GB2	C60N		GB2	C60N	
ABL-7CEM24003	GB2-CD06	24183 MG24516 (1)	2A	GB2-CD07	24184 MG24517 (1)	2 A
ABL-7CEM24006	GB2-CD07	24184 MG24517 (1)	2A	GB2-CD08	24185 MG24518 (1)	2 A
ABL-7CEM24012	GB2-CD07	24184 MG24517 (1)	2A	GB2-CD08	24185 MG24518 (1)	2 A
ABL-7RE2402	GB2-●B07	MG24517 (1)	2A	GB2-DB06	MG24516 (1)	2 A
ABL-7RE2403	GB2-●B07	MG24517 (1)	2 A	GB2-DB06	MG24516 (1)	2 A
ABL-7RE2405	GB2-●B08	MG24518 (1)	4 A	GB2-DB07	MG17453 (1)	2 A
ABL-7RE2410	GB2-●B12	MG17454 (1)	6 A	GB2-DB08	MG24518 (1)	4 A
ABL-7RP2403	GB2-●B07	MG24517 (1)	2 A	GB2-DB07	MG24516 (1)	2 A
ABL-7RP2405	GB2-●B07	MG24517 (1)	2 A	GB2-DB07	MG24516 (1)	2 A
ABL-7RP2410	GB2-●B09	MG24519 (1)	4 A	GB2-DB07	MG24516 (1)	2 A
ABL-7RP4803	GB2-●B07	MG24517 (1)	2 A	GB2-DB07	MG24516 (1)	2 A

## ABL-7REQ power supplies: protection of the power supply line

Type of mains supply	~ 400 V 2-phase		
Type of protection	Thermal-magnetic circuit-breaker		gG fuse
2-pole	GB2-DB●●	C60N	
ABL-7REQ24050	DB07	24100	10 A
ABL-7REQ24100	DB08	24100	10 A

## ABL-7UEQ, ABL-7UES and ABL-7UPS power supplies: protection of the power supply line

Type of mains supply	~ 400...480 V 3-phase		
Type of protection	Thermal-magnetic circuit-breaker		gG fuse
2-pole	GV2-ME●●	C60N	
ABL-7UEQ24100	GV2-ME08 (1)	24212	4 A
ABL-7UEQ24200	GV2-ME08 (1)	24213	6 A
ABL-7UES24050	GV2-ME08 (1)	24210	2 A
ABL-7UPS24100	GV2-ME08 (1)	24210	2 A
ABL-7UPS24200	GV2-ME08 (1)	24211	3 A
ABL-7UPS24400	GV2-ME08 (1)	24212	4 A

(1) UL certified circuit-breaker.

# Modicon TSX Micro automation platform

Power supplies for d.c. control circuits  
Phaseo regulated switch mode power supplies



ABL-7CEM

## ABL 7CEM single-phase regulated switch mode power supplies

Mains input voltage 47...63 Hz	Output voltage	Nominal power	Nominal current	Auto-protect reset	Conforming to standard EN 61000-3-2	Reference	Weight
V	$\equiv$ V	W	A				kg
~ 100...240 single-phase wide range	24	7	0.3	auto	no	ABL-7CEM24003	0.150
	$\equiv$ 110...220 (1)	15	0.6	auto	no	ABL-7CEM24006	0.180
		30	1.2	auto	no	ABL-7CEM24012	0.220

## ABL-7RE single-phase regulated switch mode power supplies

Mains input voltage 47...63 Hz	Output voltage	Nominal power	Nominal current	Auto-protect reset	Conforming to standard EN 61000-3-2	Reference	Weight
V	$\equiv$ V	W	A				kg
~ 100...240 single-phase wide range	24	48	2	auto	no	ABL-7RE2402	0.520
	$\equiv$ 110...220 (1)	72	3	auto	no	ABL-7RE2403	0.520
120		5	auto	no	ABL-7RE2405	1.000	
240		10	auto	no	ABL-7RE2410	2.200	

## ABL-7RP single-phase regulated switch mode power supplies

Mains input voltage 47...63 Hz	Output voltage	Nominal power	Nominal current	Auto-protect reset	Conforming to standard EN 61000-3-2	Reference	Weight
V	$\equiv$ V	W	A				kg
~ 100...240 single-phase wide range	12	60	5	auto/man	yes	ABL-7RP1205	1.000
	$\equiv$ 110...220 (1)	24	72	3	auto/man	yes	ABL-7RP2403
120		5	auto/man	yes	ABL-7RP2405	1.000	
240		10	auto/man	yes	ABL-7RP2410	2.200	
	48	144	2.5	auto/man	yes	ABL-7RP4803	1.000

## ABL-7REQ 2-phase regulated switch mode power supplies

Mains input voltage 47...63 Hz	Output voltage	Nominal power	Nominal current	Auto-protect reset	Conforming to standard EN 61000-3-2	Reference	Weight
V	$\equiv$ V	W	A				kg
~ 380...415	24	120	5	auto/man	no	ABL-7REQ24050	0.850
		240	10	auto/man	no	ABL-7REQ24100	1.200

## ABL-7U 3-phase regulated switch mode power supplies

Mains input voltage 47...63 Hz	Output voltage	Nominal power	Nominal current	Auto-protect reset	Conforming to standard EN 61000-3-2	Reference	Weight
V	$\equiv$ V	W	A				kg
~ 3x380...415	24	240	10	auto/man	no	ABL-7UEQ24100	1.200
		480	20	auto/man	no	ABL-7UEQ24200	2.100
~ 3x400...520	24	120	5	auto/man	no	ABL-7UES24050	1.300
		240	10	auto/man	yes	ABL-7UPS24100	1.300
		480	20	auto/man	yes	ABL-7UPS24200	2.300
		960	40	auto/man	yes	ABL-7UPS24400	4.500

(1) Compatible input voltage, not indicated on the product.



ABL-7RE2405  
ABL-7RP2405  
ABL-7RP4803



ABL-7REQ

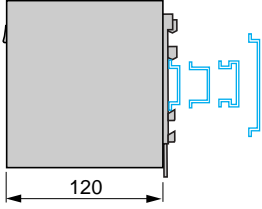


ABL-7UPS

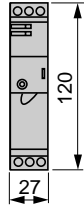
# Modicon TSX Micro automation platform

Power supplies for d.c. control circuits

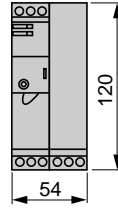
**ABL-7RE24●●/ABL-7RP●●●●**  
Common side view  
Mounting on 35 and 75 mm rails



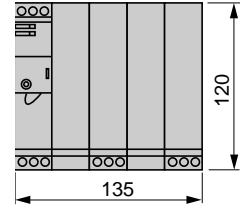
**ABL-7RE2402/2403**  
**ABL-7RP2403**



**ABL-7RE2405**  
**ABL-7RP1205/2405/4803**



**ABL-7RE2410**  
**ABL-7RP2410**

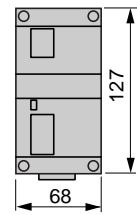
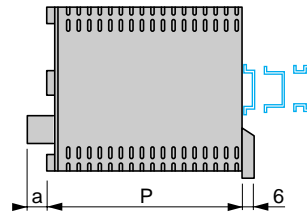
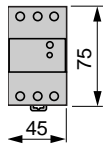
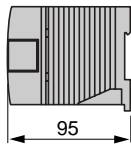
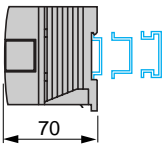


**ABL-7CEM24●●●●**  
**ABL-7CEM24003**

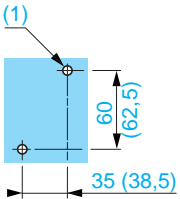
**ABL-7CEM24006/**  
**ABL-7CEM24012**

Common front view

**ABL-7REQ24●●●/ABL-7UEQ24100/ABL-7UES24050/**  
**ABL-7UPS24100**



Panel mounting

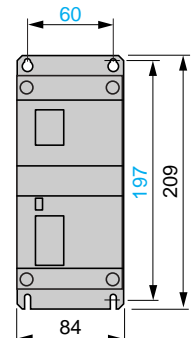
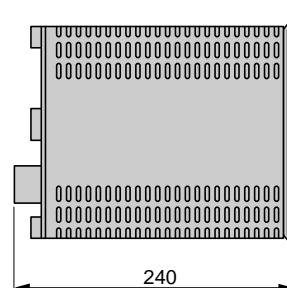
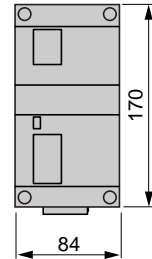
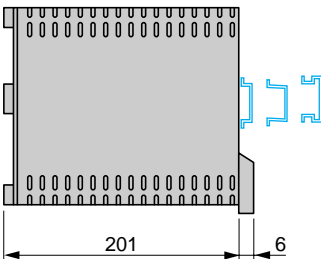


(1) 2 x M4 or 2 x Ø4.5

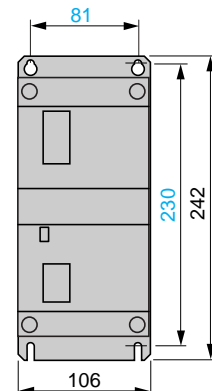
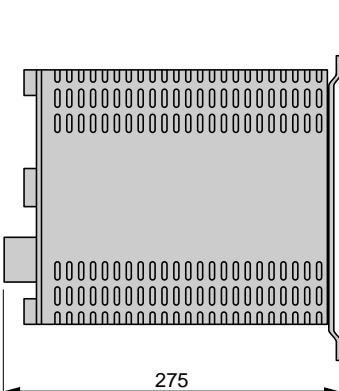
**ABL-7UEQ24200**

ABL-	P mm	a mm
<b>7REQ24050</b>	130	-
<b>7REQ24100</b>	154	-
<b>7UEQ24100</b>	154	-
<b>7UES24050</b>	171	15
<b>7UPS24100</b>	171	15

**ABL-7UPS24200**



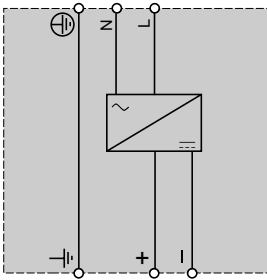
**ABL-7UPS24400**



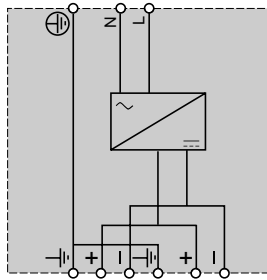
# Modicon TSX Micro automation platform

Power supplies for d.c. control circuits

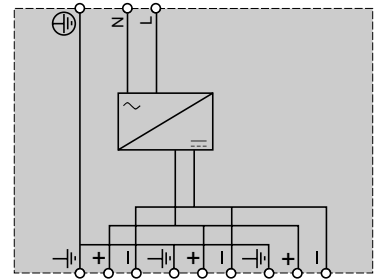
ABL-7RE2402/2403



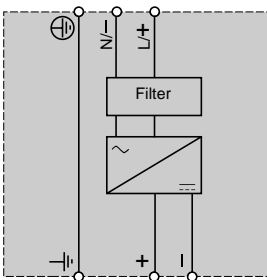
ABL-7RE2405



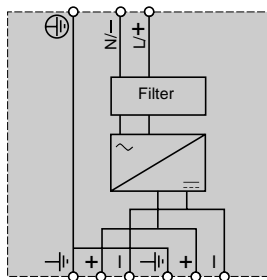
ABL-7RE2410



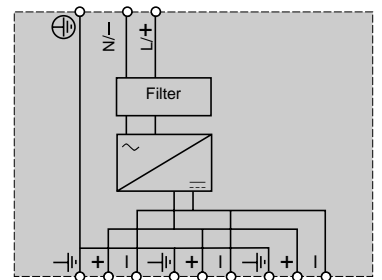
ABL-7RP2403



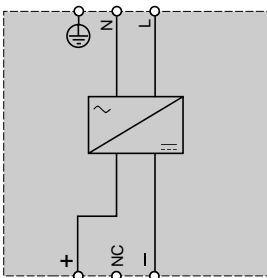
ABL-7RP1205/2405/4803



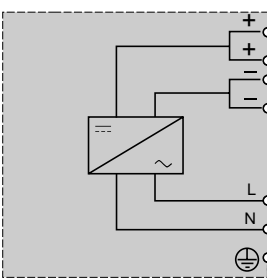
ABL-7RP2410



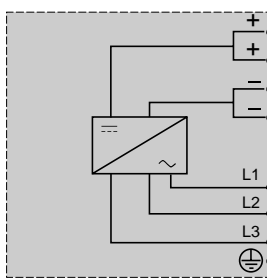
ABL-7CEM24●●●



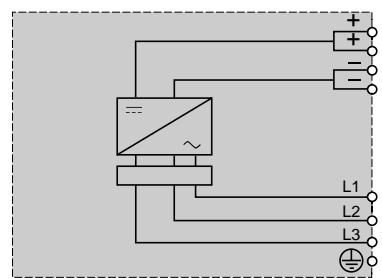
ABL-7REQ24●●●



ABL-7UE●●●●●



ABL-7UP●●●●●





---

## 3.1 - Integrated analogue channels and analogue I/O modules

*Selection guide analogue I/O* ..... page 3/2

■ TSX A●Z integrated channels and analogue I/O modules ..... page 3/4

■ Process control of semi-continuous processes ..... page 3/10

## 3.2 - Integrated counter channels and counter/positioning modules

*Selection guide counter/positioning modules* ..... page 3/14



■ TSX CTZ ●A integrated channels and counter modules ..... page 3/16

■ TSX CTZ 1B absolute encoder positioning module ..... page 3/22

# Modicon TSX Micro automation platform

Integrated analogue channels and analogues I/O modules

3  
3.1

Applications		Integrated analogue inputs/outputs		Analogue inputs		
						
<b>Type on inputs/outputs</b>		High level inputs Voltage outputs		High level inputs		High level inputs thermocouples, temperature probes
<b>Type</b>		Voltage	Current	Voltage	Current	Multirange
<b>Range</b>		0...10 V	0...20 mA 4...20 mA	± 10 V 0...10 V	0...20 mA 4...20 mA	B, E, J, K, L, N, R, S, T, U, Pt 100, Ni 1000 (2 or 4 wire) ±10 V, 0...10 V, 1...5 V 0...20 mA, 4...20 mA (external shunt supplied))
<b>Modularity</b>		8 input channels 1 output channel		8 channels		4 channels
<b>Isolation</b>		Between channels		Common point		≡ 30 V (differential channels)
		Between bus and channels		Common point		~ 500 V rms.
		Between channels and earth		Common point		~ 500 V rms.
<b>Acquisition time</b>		32 ms (normal scan), 4 ms per channel used (fast scan)				520 ms
<b>Response time</b>		User-definable filtering 0...4.1 s (0 in fast scan)				User-definable filtering 0...66.3 s
		Inputs		50 µs		-
		Outputs		-		-
<b>Resolution</b>		8 bits		11 bits + sign		12 bits
						16 bits
<b>Connection</b>		Via 15-pin SUB-D connector or Telefast 2 (ABE 7CPA01)		Via screw terminals (supplied with module)		
<b>Type of modules</b>		I/O analogue inputs integrated in TSX 37 22		TSX AEZ 801	TSX AEZ 802	TSX AEZ 414
<b>Pages</b>		3/4		3/9		



Analogue outputs	Analogue inputs/outputs	Remote analogue inputs/outputs (200 m)
------------------	-------------------------	--



Voltage outputs		Voltage outputs/current		High level inputs High level outputs		High level inputs Isolated outputs	
Voltage		Voltage	Current	Voltage	Current	Voltage	Current
± 10 V		± 10 V	0...20 mA 4...20 mA	± 10 V 0...10 V	0...20 mA 4...20 mA	± 10 V 0...10 V	0...20 mA 4...20 mA
4 channels		2 channels		4 inputs/2 outputs		3 input channels/1 output channel, 3 modules max.	
Common point						~ 1000 V rms. (between inputs and outputs)	
~ 1000 V rms.		~ 1500 V rms.		-			
~ 1000 V rms.		~ 1500 V rms.		~ 1000 V rms.		~ 2000 V rms.	
-				16 ms (normal scan), 4 ms per channel used (fast scan)		1.5 ms per channel	
-				User-definable filtering 0...4.1 s (0 en cycle rapide)		-	
400 µs		300 µs	400 µs	400 µs		-	
11 bits + sign			11 bits	11 bits, + sign (with range ± 10 V)		7 bits + sign/11 bits + sign depending on configuration	
						Via integrated screw terminal block	

**TSX ASZ 401**

**TSX ASZ 200**

**TSX AMZ 600**

**TSX AMN 400●**

### Presentation

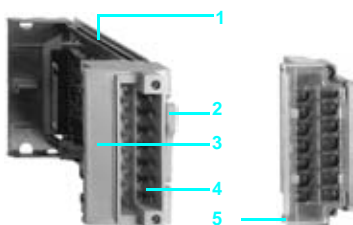
TSX Micro PLCs provide three ways of performing analogue processing:

- With input half format TSX AEZ ●●● modules, and TSX ASZ ●●● analogue outputs modules and TSX AMZ 600 analogue I/O installed in the available slots (base or mini extension rack).
- Or by using the analogue I/O integrated into TSX 37 22 PLC bases.
- Or by using Nano remote analogue I/O extension modules (see pages 2/25 and 2/26).
- The maximum number of analogue modules in a TSX Micro PLC configuration is:
  - 2, for a TSX 37 05/08/10 configuration,
  - 4, for a TSX 37 21/22 configuration (2 TSX ASZ 200/TSX AMZ 600 modules maximum in the base).

These analogue input or output modules are always connected via screw terminal blocks.

### Description

#### TSX AEZ/ASZ/AMZ analogue I/O modules



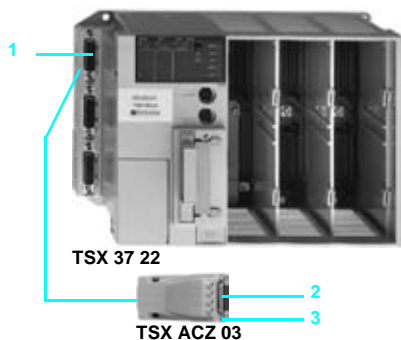
TSX AEZ/ASZ/AMZ analogue I/O modules comprise:

- 1 Rigid metal casing.
- 2 Locking system for fixing the module in its slot. This system can only be accessed when the screw terminal block is removed.
- 3 Module reference label.
- 4 Connector for fitting screw terminal block.

Connection equipment supplied with each module:

- 5 TSX BLZ H01 removable screw terminal block for connection of analogue sensors and actuators.

#### Integrated analogue I/O

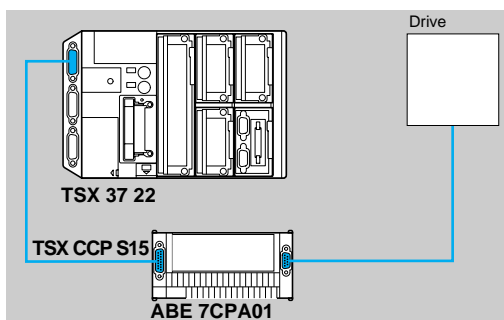


Eight 0...10 V inputs and one 0...10 V output are integrated in TSX 37 22 PLC bases. These integrated channels can receive the TSX ACZ 03 adjustment/adaptor module, which enables:

- The use of 4 potentiometers for the user to adjust the 4 application constants (setpoint, threshold, etc.).
- Conversion of 0...10 V inputs to 0...20 mA or 4...20 mA inputs.
- Conversion of 8 0...10 V inputs to 8  $\approx$  24 V discrete inputs.

- 1 A 15-pin SUB-D type connector for connecting the analogue sensors/pre-actuators or mounting the TSX ACZ 03 adaptor.
- 2 A 15-way SUB-D type connector for connecting the analogue sensors/preactuators or the discrete sensors.
- 3 Potentiometers for adjusting the first 4 input channels.

#### Connection principle for integrated analogue channels using the Telefast 2 pre-wired system



The Telefast 2 pre-wired system facilitates installation of modules by providing access to inputs via screw terminal blocks. Connection is via a TSX CCP S15 ●●● shielded cable (length 0.5 to 2.5 m) fitted with SUB-D type connectors at each end.

The ABE 7CPA01 wiring connection base is used to connect the following:

- 8 analogue inputs (or 8  $\approx$  24 V discrete inputs with TSX ACZ 03 adaptor module).
- 1 analogue output.
- 1  $\approx$  10 V reference output for using 4 external potentiometers for the last 4 channels (4.7 k $\Omega$ , precision  $\pm$  20 % maximum), if required.

# Modicon TSX Micro automation platform

## Integrated analogue channels and analogue I/O modules

### Functions

Analogue I/O modules do not require an external power supply: energy is provided via the TSX Micro PLC power supply. For maximum reliability, these modules do not contain any electromechanical components: there are no multiplexing relays, no configuration switches, and no adjustment potentiometers. These modules only contain solid state components, and are configured using PL7 Micro or PL7 Junior or PL7 Pro software.

### TSX AEZ 801/802 analogue input modules

These modules (TSX AEZ 801 and TSX AEZ 802) are analogue input modules, with 8 high level multirange voltage or current channels. For each input, they offer a choice between + 10 V or 0...10 V (TSX AEZ 801) and 0...20 mA or 4...20 mA (TSX AEZ 802) ranges, according to the selection made in the configuration.

The various functions of the TSX AEZ 801/802 analogue input modules are as follows:

- Scanning of input channels used by solid state multiplexing (normal or fast) and acquisition of values.
- Analogue/digital conversion (11 bits + sign or 12 bits) of input signals.

The processing performed by the PLC processor, in addition to these functions:

- Monitoring of input overshoots.
- Filtering measurements.
- Converting input measurements to user format for display in directly readable units.

### TSX AEZ 414 analogue input modules

The TSX AEZ 414 module is an analogue input module with 4 different channels. Depending on the selection made in configuration and for each channel, it provides the thermocouple, temperature probe or high level voltage and current ranges via external resistors supplied with the module (see page 3/7 for the various ranges).

The functions of the TSX AEZ 414 analogue input module are as follows:

- Selection of the input range of each channel.
- Scanning of input channels by multiplexing and acquisition of values.
- Analogue/digital conversion (16 bits) of input signals.
- Monitoring of input value overshoots and sensor connections.
- Automatic linearization for Pt 100 and Ni 1000 temperature probes.
- Automatic linearization and internal or external cold junction compensation for thermocouple ranges.
- Converting input measurements to user format for display in directly readable units (physical units or user range).
- Detection of sensor connection faults for thermocouple ranges.

### TSX ASZ 401/200 analogue output modules

The TSX ASZ 401 module provides 4 common point analogue outputs (+ 10 V or 0...10 V). The TSX ASZ 200 module offers a choice between + 10 V, 0...20 mA and 4...20 mA ranges for both the common point outputs.

The various functions of the TSX ASZ 401/200 analogue output modules are as follows:

- The acceptance of digital values corresponding to analogue values obtained as output. These values are calculated by the PLC task to which the channels are assigned (MAST or FAST).
- Processing dialog faults with the PLC and setting the outputs to fallback state (value 0 or maintained).
- Selection of the range for each output: voltage or current (module TSX ASZ 200).
- Analogue/digital conversion (11 bits + sign) of output values.

# Modicon TSX Micro automation platform

## Integrated analogue channels and analogue I/O modules

3  
3.1

### TSX AMZ 600 analogue mixed I/O module (1)

TSX AMZ 600 provides 6 common point channels, high level multirange voltage (0...10 V, ± 10 V)/current (0...20 mA, 4...20 mA) of which:

- 4 input channels.
- 2 output channels.

The 4 input channels guarantee the following functions:

- Scanning of input channels used by solid state multiplexing (normal or fast) and acquisition of values.
- Analogue/digital conversion (11 bits + sign or 12 bits) of input signals.

The processing performed by the PLC processor, in addition to the above functions is:

- Monitoring of input overshoots.
- Filtering measurements.
- Converting input measurements to user format for display in directly readable units.

The 2 output channels guarantee the following functions:

- The acceptance of digital values corresponding to analogue values obtained as output. These values are calculated by the PLC task to which the channels are assigned (MAST or FAST).
- Processing dialog faults with the PLC and setting the outputs to fallback state (value 0 or maintained).
- Selection of the range for each output: voltage or current (module TSX ASZ 200).
- Analogue/digital conversion (11 bits + sign) of output values.

### Integrated analogue channels on TSX 37 22 PLC bases

TSX 37 22 PLCs integrate as standard a high level analogue interface with 8 input channels 0...10 V and one 0...10 V output channel. This interface enables the PLC to meet the requirements of applications which require analogue processing but where the performance criteria and characteristics of an analogue input module cannot be justified.

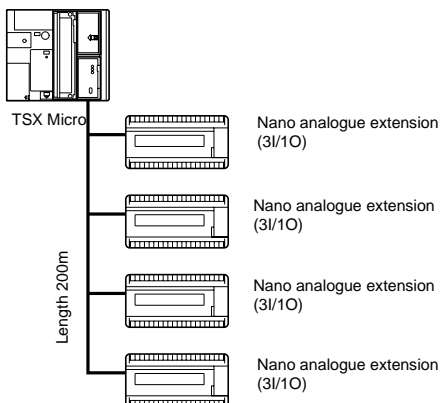
The various functions of integrated analogue channels are as follows:

- Scanning of input channels by solid state multiplexing (normal or fast) and acquisition of values.
- Analogue/digital conversion (8 bits) and filtering of input measurements.
- Updating the digital output value by the processor.
- Analogue/digital conversion of the output value.
- Processing dialog faults with the PLC and in particular setting the output to fallback state.
- Supplying a reference voltage for potentiometers, either external or included in the TSX ACZ 03 adjustment/adaptor module.

### Remote extension of analogue I/O modules

It is possible to link the TSX STZ 10 I/O extension module (installed in position 4 of the base) to up to 3 high level Nano analogue I/O modules (3 input channels/1 output channel per module).

(1) Requires a PLC with a version ≥ 5.0 operating system. Installation of the TSX AMZ 600 involves version ≥ 4.2 PL7 Micro/Junior/Pro software.



### Characteristics of I/O modules

Type of input modules		TSX AEZ 801	TSX AEZ 802	TSX AEZ 414
Number of channels		8		4
Input ranges		± 10 V 0...10 V	0...20 mA 4...20 mA	Thermocouples, temperature probes, high level (see range below)
Analogue/digital conversion		bits	11 + sign	12
Acquisition period	Normal cycle	ms	32	520
	Fast cycle	ms	4 x No. of channels used	–
Measurement filtering		Digital of the first order with modifiable filtering coefficient		
Hardware filtering	1 <sup>st</sup> order	Cut-off freq. # 33 Hz		Cut-off freq. # 169 Hz (thermocouples) (1)
Maximum error	At 25 °C	% FS	0.16	0.15
	0...60 °C	% FS	0.46	0.4
Maximum temperature drift		%/10 °C	0.068	0.054
Input independence			2.2 MΩ	250 MΩ
Isolation	Betw. chann. and bus	V rms	1000	500
	Betw. chann. and earth	V rms	1000	500
	Betw. channels		Common point	– 30 V (differential inputs)
Maximum excess -voltage on inputs	V		± 30	± 7.5
Consumption	mA	See page 6/4		

### Input ranges for TSX AEZ 414

Voltage/current			± 10 V	0...10 V	0...5 V	1...5 V	0...20 mA	4...20 mA					
Maximum error	At 25 °C	% FS	0.03	0.03	0.04	0.06	0.18	0.22					
	0...60 °C	% FS	0.30	0.30	0.33	0.40	0.47	0.59					
Temperature probe			Pt 1000		Ni 1000								
Maximum error	At 25 °C	°C	0.7 + 7.9 10 <sup>-4</sup> x M (2)		0.2								
	0...60 °C	°C	1.7 + 37.5 10 <sup>-4</sup> x M (2)		0.7								
Thermocouple			B	E	J	K	L	N	R	S	T	U	
Maximum error (3)	At 25 °C	Ext. c.	°C	3.6	1.3	1.6	1.7	1.6	1.5	2.6	2.9	1.6	1.3
		Int. c.	°C	3.6	3.8	4.6	4.8	4.6	3.7	4.2	4.6	4.6	3.8
	0...60 °C	Ext. c.	°C	19.1	4.5	5.4	6.4	5.2	6.1	14.1	16.2	5.5	4.7
		Int. c.	°C	19.1	5.5	6.9	7.7	6.8	7	14.5	16.6	7.1	5.9

### Analogue output module characteristics

Type of output modules		TSX ASZ 401	TSX ASZ 200
Number of channels		4	2
Output ranges		± 10 V	0...10 V
Digital/analogue conversion		bits	11 + sign
Response time		µs	400
Maximum resolution			5 mV
Output load		KΩ	> 2
Maximum error	At 25 °C	% FS	0.25
	At 60 °C	% FS	0.65
Type of protection			Permanent short-circuit
Maximum voltage without damage		V	± 30
Maximum temperature drift		%/10 °C	0.096
Isolation	Betw. chann. and bus	V rms	1000
	Betw. chann. and earth	V rms	1000
	Betw. channels		Common point
Consumption		See page 6/4	

(1) Cut-off frequency # 10.8 kHz (temperature probes), # 255 Hz (high level).

(2) Precise measurements are given as a function of measurement M for 4-wire temperature probe cabling.

(3) Ext. c: with external cold junction compensation; Int. c: with internal cold junction compensation.

3  
3.1

Analogue input characteristics (mixed module and integrated channels)											
Type of input modules			TSX AMZ 600				Integrated in the TSX 37-22				
Number of channels			4				8				
Input ranges			± 10 V	0...10 V	0...20 mA	4...20 mA	0...10 V 0...20 mA/ 4...20 mA (1)				
Analogue/digital conversion			bits	11 + sign	11	11	11 (from 0 to 20 mA)	8			
Resolution			6 mV (3800 pts)		6 mV (1900 pts)	12 µA (1900 pts)	12 µA (1500 pts)	–			
Acquisition period			Normal cycle		16		32				
			Fast cycle		ms		4 x No. of channels used				
Measurement filtering			Digital of the first order with 6 filtering values								
Hardware filtering			1 <sup>st</sup> order		Cut-off freq. # 33 Hz				Cut-off freq. # 600 Hz		
Maximum error			At 25 °C		% FS	0.16 (16 mV)	0.10 (10mV)	0.15 (30 µA)	0.15 (20 µA)	Voltage	Current
			0...60 °C		% FS	0.46 (46 mV)	0.46 (46 mV)	0.40 (80 µA)	0.40 (80 µA)	4	2.8
Temperature drift			% /10 °C		0.068		0.054		0.75	0.8	
Input impedance			2.2 MΩ		250 Ω		54 kΩ		499 kΩ		
Isolation			Betw. chann. and bus		V rms	1000		None			
			Betw. chann. and earth		V rms	1000		None (0 V w.r.t. earth)			
			Betw. channels		Common point		Common point				
Maximum excess -voltage on inputs			V		± 30		± 7.5		+30/-15 ± 15		
Consumption			mA		See page 6/4						

Analogue output characteristics (mixed module and integrated channel)										
Type of output modules			TSX AMZ 600				Integrated in: TSX 37-22			
Number of channels			2				1			
Output ranges			± 10 V	0...10 V	0...20 mA	4...20 mA	0...10 V			
Analogue/digital conversion			bits	11 + sign	11	11	11 (from 0 to 20 mA)	8		
Response time			µs		400		50			
Maximum resolution			6 mV (3800 pts)		6 mV (1900 pts)	12 µA (1900 pts)	12 µA (1500 pts)	40 mV		
Output load			KΩ		> 2 (10 mA max)		< 0.6 (12 mA max)		> 5	
Maximum error			At 25 °C		% FS	0.5 (50 mV)		0.57 (114 µA)		1.5
			At 60 °C		% FS	0.58 (58 mV)		0.83 (166 µA)		3
Type of protection			Permanent short-circuit			Perm. open circuit		Permanent short-circuit		
Maximum voltage without damage			V		± 30		± 7.5		Short-circuit on 0 V or on 5 V	
Maximum temperature drift			% /10 °C		0.083		0.107		0.5	
Isolation			Betw. chann. and bus		V rms	1000		None		
			Betw. chann. and earth		V rms	1000		None (0 V w.r.t. earth)		
			Betw. channels		Common point		–			
Consumption			See page 6/4							

Characteristics of 10 V reference output --- for potentiometers (2)						
Output current		mA	–		10	
Maximum error		At 25 °C		mV	–	390
		At 60 °C		mV	–	600
Maximum temperature drift		% /10 °C		–		1
Type of protection		–			Permanent short-circuit	

(1) With the TSX ACZ 03 adjustment/adaptor module. For specifications of 8 --- 24 V discrete inputs, see page 1/9.  
 (2) Output for a maximum of 4 adjustment potentiometers (internal or external).

# Modicon TSX Micro automation platform

## Integrated analogue channels and analogue I/O modules



TSX AEZ 802



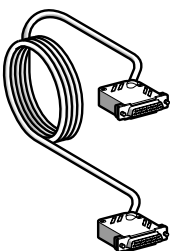
TSX ASZ 401



TSX ASZ 200/AMZ 600



ABE 7CPA01



TSX CCP S15



TSX BLZ H01

### Analogue input modules

Type of input	Number of channels	Range of input signal	Resolution	Reference (1)	Weight kg
High level analogue with common point	8	$\pm 10\text{ V}$ , 0...10 V	11 bits + signal	TSX AEZ 801	0.200
		0...20 mA, 4...20 mA	12 bits	TSX AEZ 802	0.200
Isolated high level analogue thermocouples, temperature probes	4	$\pm 10\text{ V}$ , 0...10 V, 0...5 V, 1...5 V, 0...20 mA, 4...20 mA, B, E, J, K, L, N, R, S, T, U, Pt 100, Ni 1000 (2 or 4-wire)	16 bits	TSX ASZ 414	0.210

### Analogue output modules

Type of outputs	Number of channels	Range of outputs signals	Resolution	Reference (1)	Weight kg
Analogue with common point	4	$\pm 10\text{ V}$ , 0...10 V	11 bits + signal	TSX ASZ 401	0.200
		$\pm 10\text{ V}$ , 0...20 mA, 4...20 mA	11 bits + signal or 12 bits	TSX ASZ 200	0.200

### Analogue mixed I/O module

Type of input	Type of outputs	Range of I/O	Resolution	Reference (1)	Weight kg
4 high level analogs with common point	2 high level analogs with common point	$\pm 10\text{ V}$ , 0...10 V 0...20 mA 4...20 mA	11 bits + signal or 12 bits	TSX AMZ 600	0.240

### Accessories and connection cable

Description	Use	Functions performed	Reference	Weight kg
Adaptation module	Analogue I/O channels integrated in TSX 37 22 (direct connection)	Adjustment of constants using 4 integrated potentiometers. Adaptation to 0...20 mA current, 4...20 mA, adaptation to 8 discrete $\pm 24\text{ V}$ channels	TSX ACZ 03	0.075
SUB-D type connectors (lots of 2)	TSX 37 22 integrated analogue and counter I/O channels	15-pin SUB-D type	TSX CAP S15	0.050
Telefast 2 connection base	Integrated analogue I/O channels TSX 37 22	Connection via screw terminal block with integrated channels	ABE 7CPA01	0.300

Description	For connection		Length m	Reference (1)	Weight kg
	From	to			
Cable (section 0.205 mm <sup>2</sup> )	Integrated analogue I/O (15-pin SUB-D type connector)	Base ABE 7CPA01	0.5	TSX CCP S15 050	0.110
		(15-pin SUB-D type connector)	1	TSX CCP S15 100	0.160
		(15-pin SUB-D type connector)	2.5	TSX CCP S15	0.300

### Replacement parts

Description	Functions performed	Reference	Weight kg
Connection terminal block	Connection to terminal screw block (supplied with module TSX A $\bullet$ Z)	TSX BLZ H01	0.060
Batch of 4 resistors (supplied with module TSX AEZ 4 14)	Adaptation for 250 $\Omega \pm 0.1\%$ current range for TSX AEZ 414 module	TSX AAK2	0.020

(1) Product supplied with TSX BLZ H01 screw connection terminal block.

### Presentation

The CCX 17 industrial operator panel displays and controls all the PID controller parameters which can be modified **without having to program the TSX Micro or Premium PLC application program.**

The PID\_MMI man-machine interface function, included in the PL7 Junior software, provides an application program on the CCX 17 industrial operator panel for controlling and adjusting PID loops.

It enables the CCX 17 operator panel to manage:

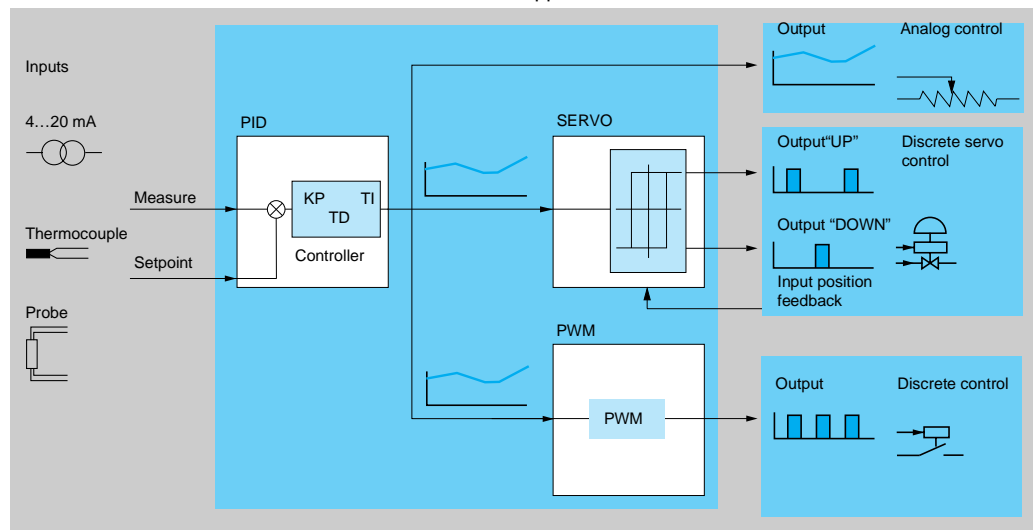
- Selection of a PID loop.
- Display and control of that PID loop.
- Adjustment of the PID loop parameters.

This man-machine interface function is easily installed for any man-machine interface application on the CCX 17 operator panel. The three preconfigured screens enable the required operations to be performed on any PID controller.

### Process control function

The CCX 17 operator panel can manage up to 9 PID controllers. Installation of the man-machine interface function is simple and is performed as follows:

- The PID\_MMI function is activated on each scan of the TSX Micro or Premium PLC (unconditional call-up).
- A single call-up of the PID\_MMI function manages all the PID loops in the TSX Micro or Premium PLC -application.



The **PID** function sets a PID serial/parallel algorithm and works out the control signal on the basis of:

- A measurement sampled by an input module.
- The setpoint value fixed either by the operator or by the program.
- The values of the various controller parameters (KP, TI, TD, sampling period, etc).

The **analogue control** signal from the controller can be processed:

- Either directly by a TSX Micro or Premium PLC analogue output module connected to the actuator.
- Or via the PWM or SERVO adaptations depending on the type of actuator for discrete control.

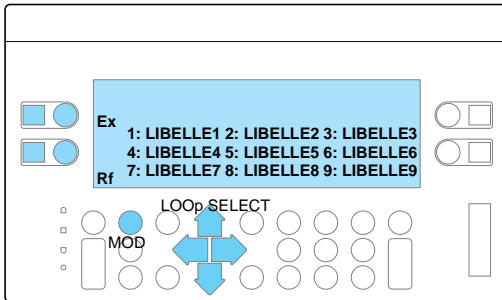
The **PWM** function provides the required adaptation to control a pulse width modulation actuator via a discrete output.

The **SERVO** function provides the required adaptation to control a motorised actuator with "UP/DOWN" control provided by a discrete output. It has a position feedback input to execute servo control.

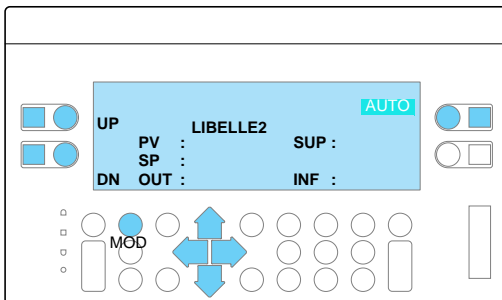
These two functions are installed in cascade on the PID controller function.



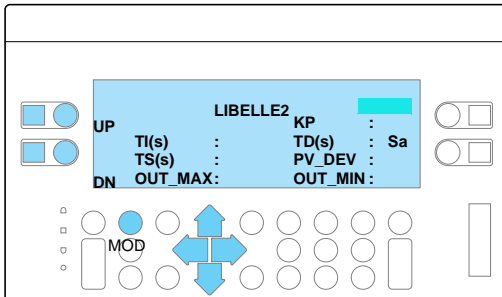
### Control and man-machine interface functions



PID loop selection screen



PID loop control screen



PID loop adjustment screen

The CCX 17 industrial operator panel displays and controls all the PID controller parameters which can be modified **without having to program the Micro or Premium PLC application program.**

The PID\_MMI man-machine interface function, included in the PL7 Junior software, provides an application program on the CCX 17 industrial operator panel for controlling and adjusting PID loops.

It enables the CCX 17 operator panel to manage:

- Selection of a PID loop.
- Display and control of that PID loop.
- Adjustment of the PID loop parameters.

This man-machine interface function is easily installed for any man-machine interface application on the CCX 17 operator panel. The three preconfigured screens enable the required operations to be performed on any PID controller.

The CCX 17 operator panel can manage up to 9 PID controllers. Installation of the man-machine interface function is simple and is performed as follows:

- The PID\_MMI function is activated on each scan of the TSX Micro or Premium PLC (unconditional call-up).
- A single call-up of the PID\_MMI function manages all the PID loops in the TSX Micro or Premium PLC -application.

### Characteristics

Function PID	Type	Universal, serial/parallel structure					
	Maximum number	Limited by the number of analogue modules and by the memory data capacity					
	Sampling period	Adjustable from 10 ms to 5 min 20 s					
	Operating mode	Smooth changeover manual/automatic					
	Measurement	Direct measurement in 0/10 000 format					
	Control	Continuous output in 0/10 000 format					
	Proportional gain	Adjustable from - 100...+ 100					
	Integral action	Time adjustable from 0...2000 s. Integral saturation. Pure integration operation					
	Derivative action	Time adjustable from 0...1000 s on measurement or deviation					
	Execution time (ms)		<b>TSX 37 05/08/10</b>	<b>TSX 37 21/22</b>	<b>TSX 57 10</b>	<b>TSX 57 20</b>	
			Internal RAM	Cartridge	Internal RAM	Cartridge	
No man-machine interface		1.08	0.9	0.96	1.5	0.9	1
	Man-machine interface	1.32	1.1	1.17	1.7	1.1	1.2
Process control functions with pulses outputs	PWM	Type	Pulse width modulation				
		Modulation period	Adjustable from 0...327.67 s				
		Execution time (ms)	0.6	0.5	0.53	0.7	0.5
	SERVO	Type	Position control of bidirectional motorised actuator ( $\pm$ )				
		Operating mode	<input type="checkbox"/> with position feedback: with discrete servo control with adjustable hysteresis <input type="checkbox"/> without position feedback: pulse widths are proportional to the PID output variation. Setting parameters for valve opening times and minimum pulse duration.				
		Execution time (ms)	0.96	0.8	0.85	1	0.8

# Modicon TSX Micro automation platform

Process control of semi-continuous processes  
CCX 17 industrial operator panels

## Description

### Front of CCX 17 20 panels

CCX 17 20 industrial operator panels comprise:

- 1 A display screen, back-lit LCD with 2 to 4 lines of 40 characters.
- 2 A keypad divided into 3 zones:
  - system keys,
  - cursor movement keys,
  - numeric keys.
- 3 Four control buttons with identification labels.
- 4 Three signalling lamps activated during self-tests and by the PLC application during operation.

### Front of CCX 17 30 panels

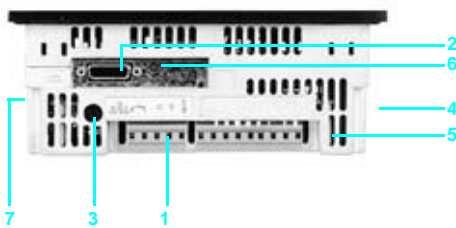
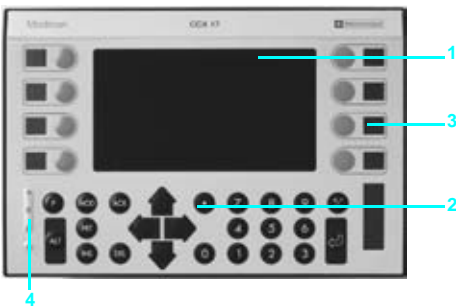
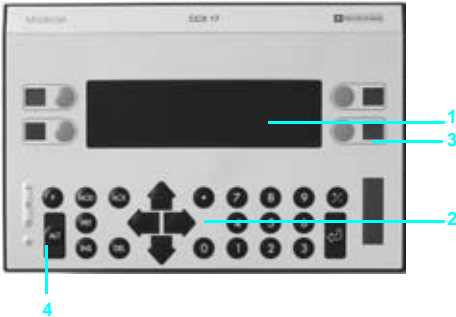
CCX 17 30 industrial operator panels comprise:

- 1 A display screen, back-lit LCD with 4 to 8 lines of 40 characters.
- 2 A keypad divided into 3 zones:
  - system keys,
  - cursor movement keys,
  - numeric keys.
- 3 Eight control buttons with identification labels.
- 4 Three signalling lamps activated during self-tests and by the PLC application during operation

### Underside of CCX 17 20/30 panels

Located on the underside of CCX 17 20/30 industrial operator panels are:

- 1 A removable screw terminal block for the --- 24 V power supply and the alarm relay connector.
- 2 A 26-way high density SUB-D for the Uni-Telway link to PLCs.
- 3 A 3.15 A TD5 X 20 fuse carrier.
- 4 Un emplacement pour pile de sauvegarde.
- Depending on the version:
  - 5 A removable screw terminal block for connecting the discrete solid state outputs of the panel.
  - 6 A 9-way SUB-D 9 connector for connecting to a printer.
  - 7 A PCMCIA card slot for connection to the Fipio bus or storing/retrieving the MMI application.



## Characteristics

Type of panels		T CCX 17 20 L●	T CCX 17 30 L●
Display	Type of screen	Back-lit LCD	
	Number of lines	4 single height, 2 double height	8 single height, 4 double height
	Nb of characters per line	40 single height, 20 double height	
	Character size	mm	5,3 ou 10,6
Control keys beside screen	Number	2 rows of 2	2 rows of 4
Status messages	Number	150	300
Message groups	Number	50	100
Messages per group	Number	8	16
Alarm messages	Number	150	300
Alarm logs	Number	150	300
Operator action log	Number	50 of eacj	100 of eacj
Connections	PLCs	Integrated Uni-Telway bus, Fipio bus (with PCMCIA card <b>TSX FPP 10</b> )	
	Printer	RS 232C link for <b>T CCX 17●●●PS</b>	
Supply voltage	V	--- 24 non-isolated	
Data backup		<b>TSX PLP 01</b> battery (annual replacement recommended). See page 1/16	
Discrete inputs/outputs	Number	4	
	Voltage	V	--- 24, positive logic
	Current	mA	350
Protection	Front view	IP 65	
	Back view	IP 20	
Temperature	Operating	°C	0...45
	Storage	°C	- 20...+ 70
Standard	Shock resistance	IEC 68-2-27	
	Vibration resistance	IEC 68-2-6	
Certifications		CE, UL	

# Modicon TSX Micro automation platform

Process control of semi-continuous processes  
CCX 17 industrial operator panels



T CCX 1720 L ●



T CCX 1730 L ●



TSX MRP/MFP ●●●P

## CCX 17 operator panel with LCD screen

Number of lines	Number of keys	Connexion bus	Printer port	Nb discrete outputs	Reference (1)	Weight Kg
4	4	Uni-Telway	–	–	T CCX 1720 LW	1.450
		Uni-Telway, Fipio (2)	–	–	T CCX 1720 L	1.510
			Yes	4	T CCX 1720 LPS	1.510
8	8	Uni-Telway	–	–	T CCX 1730 LW	1.470
		Uni-Telway, Fipio (2)	–	–	T CCX 1730 L	1.530
			Yes	4	T CCX 1730 LPS	1.560

## Separate parts

Description	Use	Capacity of memory	Reference	Weight Kg
Fipio Agent PCMCIA card	Connection to Fipio bus (3) (all operator panel except T CCX 17●0 L●W)	–	TSX FPP 10	0.110
RAM memory PCMCIA cards	Back up MMI applications	32 Kwords (4)	TSX MRP 032P	0.060
		64 Kwords	TSX MRP 064P	0.060
		128 Kwords	TSX MRP 0128P	0.060
Flash EPROM memory PCMCIA cards	Archive MMI applications	64 Kwords	TSX MFP 064P	0.060
		128 Kwords	TSX MFP 0128P	0.060

## Connecting cables

Use from	to	Longueur	Reference	Weight Kg
Uni-Telway CCX 17 20/30	TSX Micro and Premium TER/AUX terminal port	2.5 m	XTB Z968	0.180
		5 m	XTB Z9681	0.340
	TSX SCA 62 subscriber socket	1.8 m	XTB Z908	0.240
	PC via adaptor TSX SCA 72	3 m	T CCX CB9 030	0.250
PCMCIA card	Bus Fipio	–	See page 4/56	

(1) Includes the T CCX CB 10 cable as standard (0.2 m long with 2 2x26-way and 25-way SUB-D connectors). Includes a multilingual quick reference guide as standard (English, French, German, Italian and Spanish).

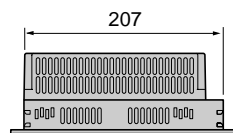
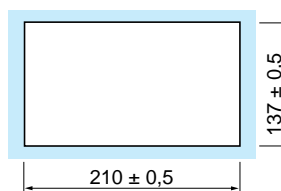
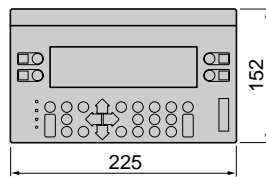
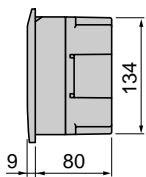
(2) Includes the MMI application archive and retrieval function on a PCMCIA card.

(3) The CCX 17 operator panel connected on a Fipio bus communicates with the bus arbitrator PLC station.

(4) Only compatible with MMI applications on T CCX 1720 ●●● operator panels.

## Dimensions, mounting

### Dimensions



Fixed by 4 or 6 locking clips (supplied) pressure mounted (on panel 1 to 6 mm thick)

# Modicon TSX Micro automation platform

## Integrated counter channels and counter/positioning modules

Applications

Counter channels integrated in TSX Micro PLCs



3

Number of channels<sup>(1)</sup>

2 independant channels

2 independant channels (not excluding the 2 upcounter channels on the discrete inputs)

Frequency per channels

500 Hz (450 Hz for incremental encoder with phase-shifted signals)

10 kHz

Response time

8 ms (taking account of an event-triggered input and positioning of a discrete module output in master)

3.2

Counter/measurement inputs

Channels 0 and 1: 4 x  $\pm$  24 V inputs for proximity sensors and mechanical contacts, compatibles with Totem Pôle incremental encoders

Channel 11:  $\pm$  5/24 V for 1 Totem Pole or RS 422 incremental encoders  
Channels 11 and 12 :  $\pm$  24 V inputs for proximity sensors and mechanical contacts

Auxiliary inputs

1 input per channel : preset (using 2<sup>nd</sup> counter input)

1  $\pm$  24 V input per channel: preset

Counting capacity

24 bits + sign (0 to + 16 777 215 points or  $\pm$  16 777 215 points)

Functions

Downcounting with preset input, upcounting with reset input.  
Up/down counting with preset input, configurable counter input:  
- 1 upcounter input/1 downcounter input,  
- 1 up/downcounter input and 1 direction input,  
- incremental encoder with phase-shifted signals or proximity sensor.

Processing

Inputs :  
Counter enable, counter present.

Comparison:  
Downcounting: to value 0. Upcounting: 2 thresholds and 1 setpoint. Up/down counting: 2 thresholds.

Events

Events associated with each counter channel, causing activation of the priority event-triggered task

Connection

Via screw terminals (supplied with module)  
Via 20-way HE 10 type connectors

Via 15-way SUB-D connectors  
Via Telefast 2 pre-wired system (ABE 7CPA01)

Type of modules

**1** Counter channels on discrete inputs

**2** Counter channels integrated in TSX 37 22

Pages

3/16

(1) Max. 6 channels with TSX 37 05/08/10, 8 channels with TSX 37 21 and 9 channels with TSX 37 22 (see page 3/16).

Counter modules for incremental encoder

Positioning module for SSI absolute encoder



1 channel

2 independant channels

1 channel

40 kHz

500 kHz

200 kHz or 1 MHz

task with cycle time = 5 ms)

-

Per channel : --- 5/24 V inputs for 1 Totem pole or RS 422 incremental encoder or for --- 24 V proximity sensors and mechanical contacts

Channel 0 : --- 5 V or 10 ... 30 V SSI serial absolute encoder, 8 ... 25 bits or --- 5/10/30 V parallel output absolute encoder 8 ... 24 bits with Telefast 2base (ABE 7CPA11)

3 x --- 24 V inputs: enable, preset and capture  
1 --- 24 V output: line, incremental encoder supply check

2 x --- 24 V input: capture

In modulo mode, 25 bits (0...33 554 431 points)

In modulo mode, 8 ... 25 bits (0 ... 33 554 431 points)

- Read of bit number of absolute encoder frame
- Modulo and offset functions

Inputs:  
Counter enable, counter preset, capture current value and 2 setpoints

Inputs:  
2 capture inputs  
- Comparison to the position value: 4 thresholds causing activation of priority event-triggered task

Counter outputs (to be applied to discrete output modules):  
- Downcounting: 1 predefined SET/RESET output.  
- Upcounting: 2 SET/RESET outputs, 1 predefined and 1 adjustable.  
- Up/downcounting: 2 adjustable SET/RESET outputs.

- Capture: 2 capture registers on rising or falling edge of the physiqual inputs

crossing a threshold, crossing a setpoint, present done, enable done, capture done

- Via 15-way SUB-D connectors for incremental encoder inputs
- Via 20-way HE 10 connector for auxiliary and power supply inputs
- Via Telefast 2 pre-wired system (ABE 7CPA 01/CPA11)

- Via 9-way SUB-D connectos for absolute encodeur
- Via 15-way SUB-D 15 for capture et power supply encodeur

**TSX CTZ 1A**

**TSX CTZ 2A**

**TSX CTZ 2AA**

**TSX CTZ 1B**

3  
3.2

# Modicon TSX Micro automation platform

## Integrated counter channels and counter modules

### Presentation

Counter functions are required for counting items or events, grouping objects, controlling input and output flow, measuring the length or position of elements and measuring speed, frequency or duration. TSX Micro PLCs provide 3 ways in which these functions of downcounting, upcounting or up/down counting can be performed: On the inputs of the discrete I/O module located in the first slot of TSX Micro PLCs, or

- Using the counter channels 11 and 12 integrated in TSX 37 22 PLCs, or
- With TSX CTZ counter modules installed in the available slots on TSX Micro PLC bases.

#### Maximum number of counter channels permitted

Counter channels on	TSX 37 05/08/10			TSX 37 21			TSX 37 22								
	0	1	2	0	1	2	0	0	0	1	1	1	2	2	2
Discrete input module	0	0	0	0	0	0	0	0	0	0	0	0	0	0	0
Integrated							0	1	2	0	1	2	0	1	2
TSX CTZ modules	4	4	4	7	6	6	7	6	6	6	6	5	6	5	5
Max. no. of channels	4	5	6	7	7	8	7	7	8	7	8	8	8	8	9

### Description

#### Counting (500 Hz) on the inputs of discrete modules



The first 4 inputs of the TSX DEZ/DMZ ●●●● 28, 32 or 64 discrete I/O module located in slot no. 1 enable two counter channels to be used.

- 1 20-way HE 10 connector (or screw terminal block depending on the model) for connecting:
  - Counter sensors or  $\pm$  24 V incremental encoder for channel 0,
  - Counter sensors for channel 1,
  - $\pm$  24 V encoder power supply.

#### Counter channels (10 kHz) integrated in TSX 37 22 PLCs

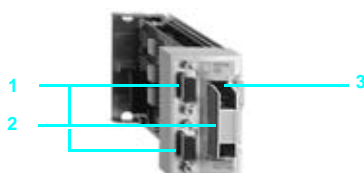


TSX 37 22 PLC bases have an integral counter interface (2 channels) which can be accessed via:

- 1 Two 15-way SUB-D connectors for connecting:
  - Counter sensors or incremental encoder for -channel 11,
  - Counter sensors for channel 12,
  - Auxiliary preselection input,
  - Power supplies for auxiliary inputs, sensors and incremental encoder.

The second connector can take the Telefast 2 ABE 7CPA01 wiring system to facilitate installation.

#### TSX CTZ 1A/2A (40 kHz) and TSX CTZ 2AA (500 kHz) counter modules



The TSX CTZ 1A (1 channel) and TSX CTZ 2A/2AA (2 channels) half-format counter modules have on their front panel:

- 1 One high-density 15-way SUB-D connector per channel for connecting:
  - counter sensors or incremental encoder,
  - encoder power supply,
  - encoder power supply feedback for checking that this is correctly supplied.
- 2 20-way HE 10 connector for connecting the following to each channel:
  - auxiliary inputs: preselection, counter enable and read,
  - power supplies for auxiliary inputs, sensors and -incremental encoder(s).
- 3 Locking system for fixing the module in its slot.

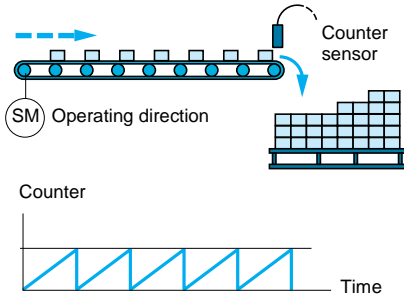
# Modicon TSX Micro automation platform

## Integrated counter channels and counter modules

### Applications

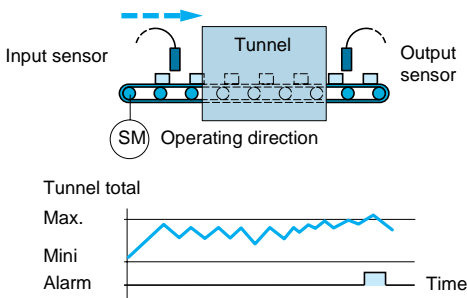
#### Example of upcounting or downcounting

This example shows the grouping of objects supplied by a conveyor belt for packaging.  
 This simple counting application uses a sensor (proximity sensor, photoelectric sensor) linked to a preset counter. When the preset value is reached the packaging command is activated and the control system initiates a new packaging cycle.



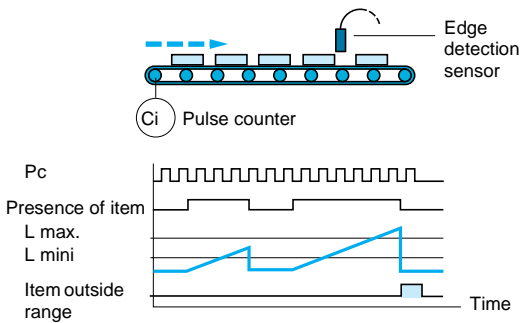
#### Examples of up/down counting

In this example objects are upcounted or downcounted in a tunnel. The system checks that a critical threshold is not crossed in order to detect any malfunction in the tunnel.



This up/down counting application uses two sensors (proximity sensors or photoelectric sensors) linked to a threshold up/down counter. Each input sensor pulse increments the counter, each output sensor pulse decrements it. Crossing the authorised maximum threshold sets off an alarm.

In this example, the length of objects travelling on a conveyor belt is measured in order to sort them.



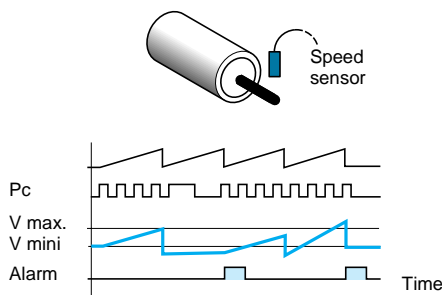
This up/down counting application follows this sequence: a sensor detects the presence of the object on the conveyor belt. While the object is on the belt, the pulses from the generator linked to the forward movement of the conveyor belt are counted. The number of pulses represents an image of the length of the object. This measurement can then be compared to various minimum and maximum thresholds.

#### Example of up/down counting with processing

In this example the correct operation of a pump is checked by taking account of its rotation speed. This speed should lie between a low threshold (pump fault) and a high threshold (pump cut-out).

The speed of the pump is measured by taking account of the pulses supplied by an incremental encoder (or proximity sensor) during a unit of time (time base worked out by the TSX 37 22 PLC system).

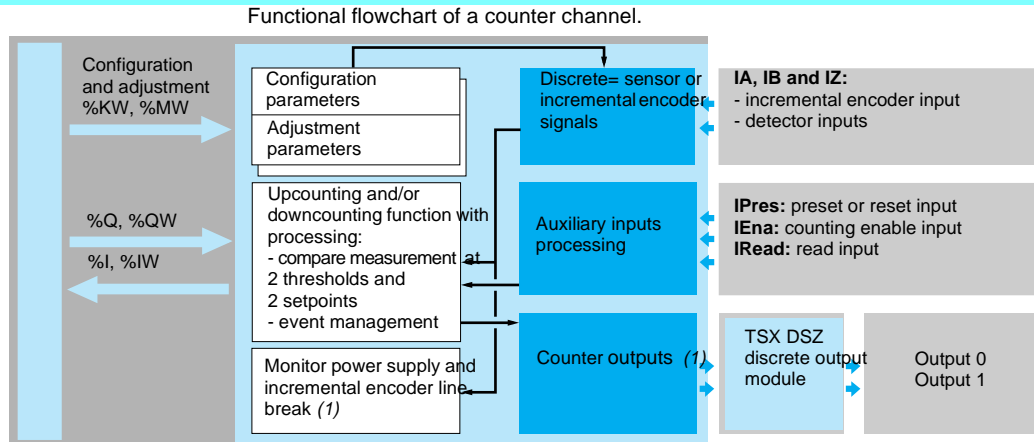
The current value obtained is compared to the two predefined thresholds in order to detect any anomaly.



# Modicon TSX Micro automation platform

## Integrated counter channels and counter modules

### Flowchart of operation



(1) With TSX CTZ 1A/2A/2AA counter module.

Physical inputs	IA	IB	IZ	IPres	IVal	IRead	CO
TSX DSZ discrete module	per chan.	(2)		(2) (3)	(3)		
Integrated counting	chan. 11			(3)	(3)		
	chan. 12			(3)	(3)		
TSX CTZ modules	per chan.			(3)	(3)	(3)	

Physical input available

Counting functions are configured and installed using PL7 Micro or PL7 Junior software (see page 5/11).

(2) Input IB can be defined by software configuration in input IPres.  
 (3) Software input possible.

### Electrical characteristics

Type of counter module/channel		TSX CTZ 1A	TSX CTZ 2A	TSX CTZ 2AA	Integrated TSX 37 22	Discrete inputs/outputs TSX DEZ/DMZ	
Number of channels		1	2				
Frequency on counter inputs	kHz	40		500	10	~ 24 V	~ 100...120 V
Frequency limitation	Hz	100, with ~ 24 V sensors with mechanical output (limit switches...)					
Event processing response time		Taking account of an input and positioning of a discrete module output:					
	ms	1.5				2	
Processing response time in master task (scan time: 5 ms)	ms	Taking account of an event-triggered input and positioning of a discrete module output: 8					
Sensor power supply monitoring	Voltage	V	≤ 2.5		-		
	Current	mA	≤ 0.5		-		
Consumption		See page 6/4					

### Input characteristics (5)

Type of counter module/channel		Counter inputs TSX CTZ 1A/2A/2AA		Integrated channels		Auxiliary inputs TSX CTZ ●●		
Nominal values		V	~ 5	~ 24	~ 5	~ 24	Integrated chan.	
Limit values	Voltage	V	5.5	19...30 (6)	2...5.5	19...30	19...30 (6)	19...30
	At state 1	Voltage	V	≥ 2.4	≥ 11	≥ 2.1	≥ 11	
At state 0	Voltage	V	≤ 1.2	≤ 5	≤ 1	< 5	≤ 5	< 5
	Current	mA	< 1 (U = 1.2 V)	< 2 (U = 5 V)	< 0.65	< 2		< 1.4
Logic		Positive						
Input impedance	For nominal U	kΩ	0.270	1.4	0.270	2.7	3.4	2.4
	For U = 2.4 V RS 422 compatibility	kΩ	> 0.440 (U = 2.4 V) (8)	-	> 0.270	-		
Response time (Immunity avec utilisation de contacts mecaniques)	ms		3		4	< 0.250 (9)	0.2...1	
Type of inputs			-	Resistive	-	Current sink		Resistive
IEC 1131 conformity			-	Type 2	-	Type 1	Type 2	
Proximity sensor compatibility			-	2-wire/3-wire	-	2-wire/3-wire		

(4) 0.45 kHz for an incremental encoder with phase-shifted signals.  
 (5) For characteristics of TSX DEZ/DMZ ●●●● discrete input modules, see page 2/8.  
 (6) Up to 34 V for 1 hr in 24 hours.  
 (7) For TSX CTZ 2AA module: > 6.8 mA (U = 3 V).  
 (8) For TSX CTZ 2AA module: > 0.350 kΩ (U = 3V).  
 (9) For TSX CTZ 2AA module: < 25 μs (state 0 to 1), < 50 μs (state 1 to 0).



# Modicon TSX Micro automation platform

## Integrated counter channels and counter modules

### References

#### Counter modules



TSX CTZ 1A TSX CTZ 2A/2AA

Type of inputs	Counter frequency	No. on chan.	Reference (1)	Weight kg
2/3 -wire proximity sensors PNP/NPN, $\pm$ 24 V, Incremental encoders $\pm$ 5 V RS 422, $\pm$ 10...30 V Totem Pole	40 kHz	1	TSX CTZ 1A	0.200
		2	TSX CTZ 2A	0.210
	500 kHz	2	TSX CTZ 2AA	0.220

#### Connection accessories



ABE 7CPA01



ABE 7H16R20

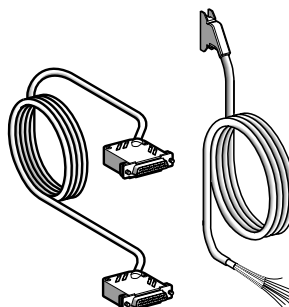
Description	For connection of	Type of connectors/ connection to	Reference	Weight kg
<b>SUB-D connectors</b> (sold in lots of 2)	TSX CTZ ●A module counter sensors or encoder	High-density 15-way SUB-D	TSX CAP H15	0.050
	TSX 37 22 integrated counter	15-way SUB-D	TSX CAP S15	0.050
<b>Telefast 2 connection sub-bases</b>	Counter sensors and $\pm$ 24 V power supply	TSX CTZ ●A/2AA module TSX 37 22 int.counter	ABE 7CPA01	0.300
	Auxiliary inputs $\pm$ 24 V power supply and $\pm$ 5 V/10...30 V encoder power supply	20-way HE 10 TSX CTZ 1 A Totem Pole	ABE 7H08R10	0.190
<b>Connection interfaces for incremental encoder</b>	$\pm$ 5 V RS 422 encoder	20-way HE 10 TSX CTZ 2A/2AA module	ABE 7H16R20	0.300
	$\pm$ 10...30 V Totem Pole encoder	TSX CTZ ●A/2AA module	TSX TAP S15 05	0.260
			TSX TAP S15 24	0.260

#### Connection cables

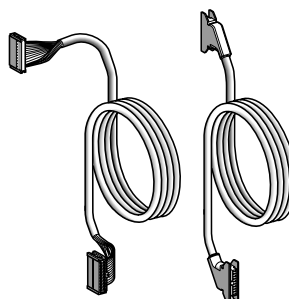


TSX TAP S15 ●●

Description	From	To	Length	Reference	Weight kg
<b>Cable</b> (cross-section 0.205 mm <sup>2</sup> )	Integrated counter (15-way SUB-D connector)	ABE 7CPA01 sub-base (15-way SUB-D connector)	0.5 m	TSX CCP S15 050	0.110
			1 m	TSX CCP S15 100	0.160
			2.5 m	TSX CCP S15	0.300
	TSX CTZ ●A module counter sensors or encoder (high density 15-way SUB-D connector)	ABE 7CPA01 or TSX TAP S15 ●● sub-base (15-way SUB-D connector)	2.5 m	TSX CCP H15	0.300
<b>Pre-formed cables with 20 flying leads</b> (500 mA maxi)	Auxiliary inputs, $\pm$ 24 V power supply and $\pm$ 5 V/10...30 V encoder power supply (moulded 20-way HE 10 connector)	Free end with labelled wires	3 m	TSX CDP 301	0.400
			5 m	TSX CDP 501	0.660
			10 m	TSX CDP 1001	1.210
<b>Pre-formed connection cables</b> (100 mA maxi)	Auxiliary inputs, $\pm$ 24 V power supply and $\pm$ 5 V/10...30 V encoder power supply ( 20-way HE 10 connector)	ABE 7H08R10/16R20 Telefast 2 sub-base (20-way HE 10 connector)	1 m	TSX CDP 102	0.090
			2 m	TSX CDP 202	0.170
			3 m	TSX CDP 302	0.250
<b>Connection cables</b> (500 mA maxi)	Auxiliary inputs, $\pm$ 24 V power supply and $\pm$ 5 V/10...30 V encoder power supply (moulded 20-way HE 10 connector)	ABE 7H08R10/16R20 (20-way HE 10 connector)	0.5 m	TSX CDP 053	0.085
			1 m	TSX CDP 103	0.150
			2 m	TSX CDP 203	0.280
			3 m	TSX CDP 303	0.410
			5 m	TSX CDP 503	0.670
			10 m	TSX CDP 1003	1.230



TSX CCP S15 TSX CDP ●01



TSX CDP ●02 TSX CDP ●●3

(1) Module supplied with HE 10 type connector cover.

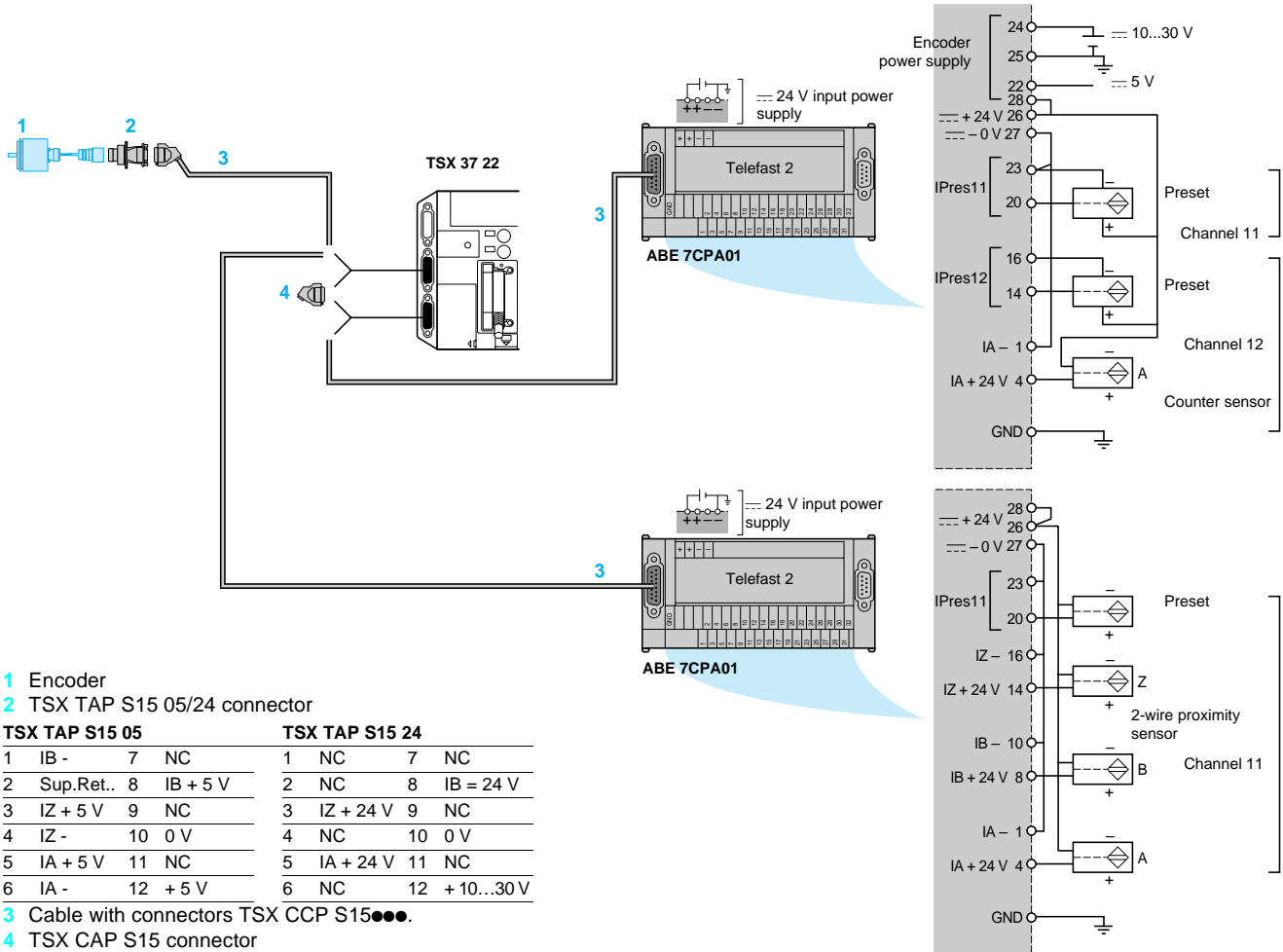
# Modicon TSX Micro automation platform

## Integrated counter channels and counter modules

### Connections

#### Connection to integrated counter channels

Connection examples for counter and auxiliary inputs



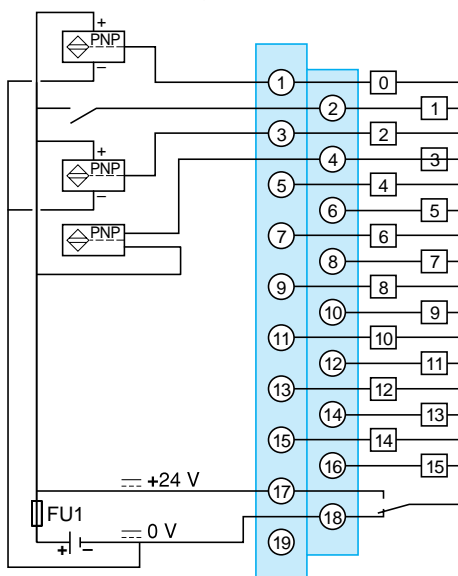
- 1 Encoder
- 2 TSX TAP S15 05/24 connector

TSX TAP S15 05			TSX TAP S15 24		
1 IB -	7 NC		1 NC	7 NC	
2 Sup.Ret..	8 IB + 5 V		2 NC	8 IB = 24 V	
3 IZ + 5 V	9 NC		3 IZ + 24 V	9 NC	
4 IZ -	10 0 V		4 NC	10 0 V	
5 IA + 5 V	11 NC		5 IA + 24 V	11 NC	
6 IA -	12 + 5 V		6 NC	12 + 10...30 V	

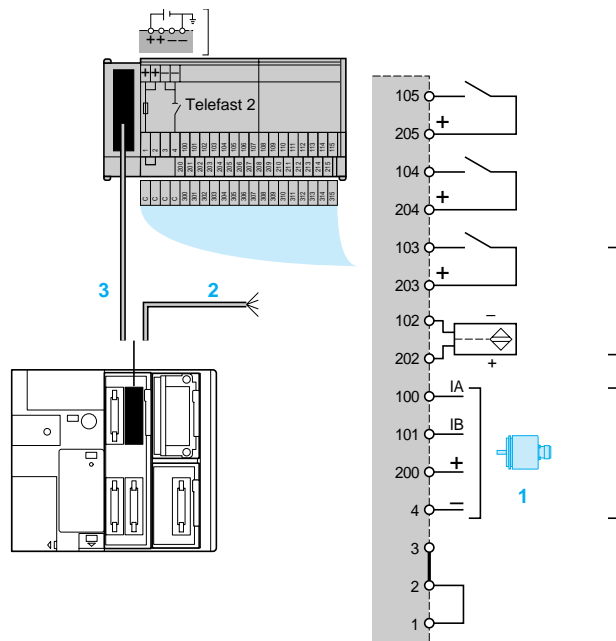
- 3 Cable with connectors TSX CCP S15●●●●
- 4 TSX CAP S15 connector

#### Connection to TSX DEZ/DMZ discrete input module

Example of connecting inputs TSX DMZ 28DR



Example of connecting inputs TSX DMZ 64DTK

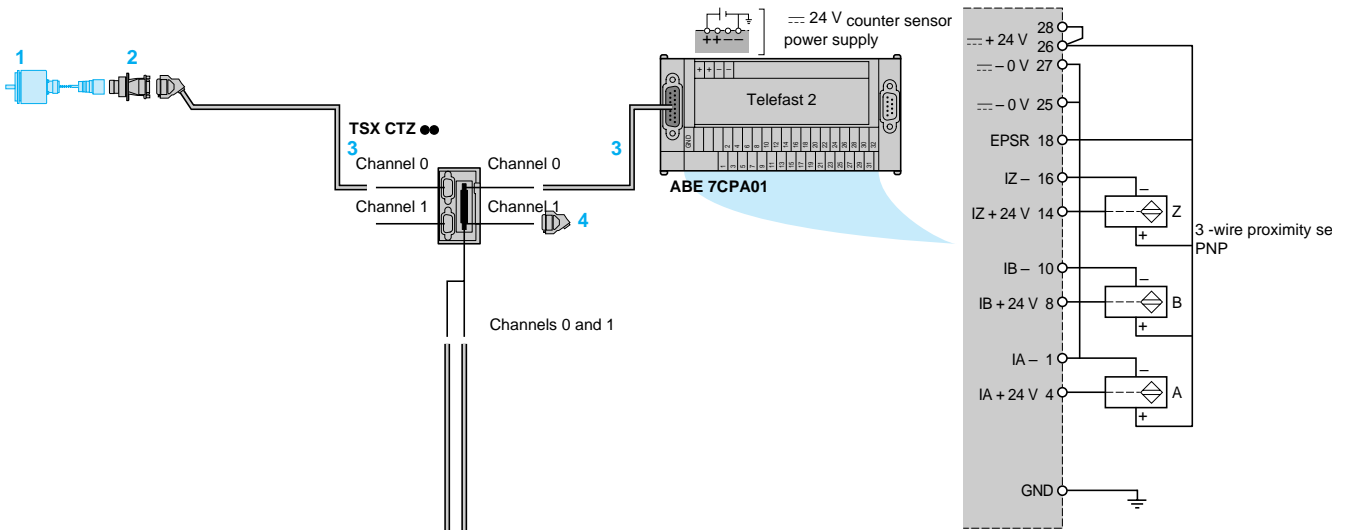


# Modicon TSX Micro automation platform

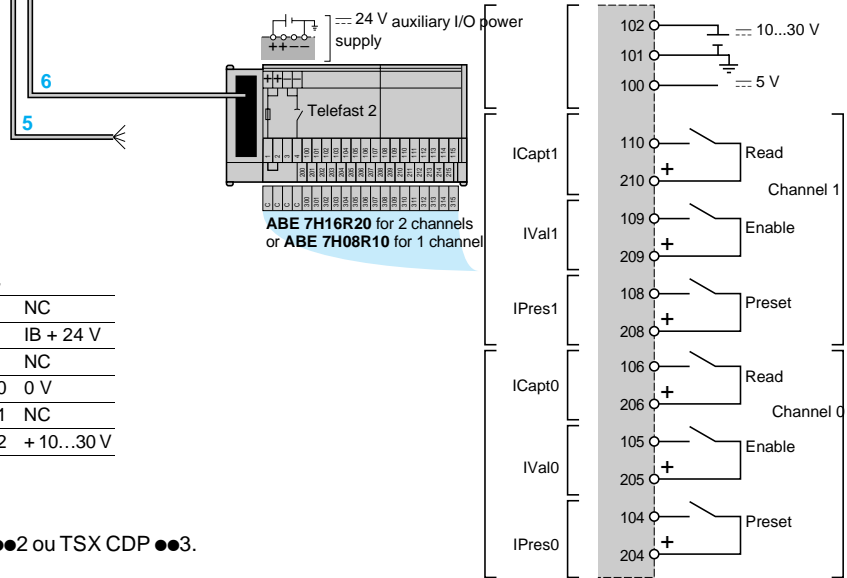
Integrated counter channels and counter modules

## Connection to module TSX CTZ 1A/2A/2AA

Example of connecting counter inputs



## Example of connecting auxiliary I/O



1 Encoder.

2 Connecteurs TSX TAP S15 05/24.

### TSX TAP S15 05

1	IB -	7	NC
2	Sup.Ret.	8	IB + 5 V
3	IZ + 5V	9	NC
4	IZ - 10	10	4
5	IA + 5 V	11	NC
6	IA -	12	+ 5 V

### TSX TAP S15 24

1	NC	7	NC
2	NC	8	IB + 24 V
3	IZ + 24 V	9	NC
4	NC	10	0 V
5	IA + 24 V	11	NC
6	NC	12	+10...30 V

3 Cable with connectors TSX CCP H15.

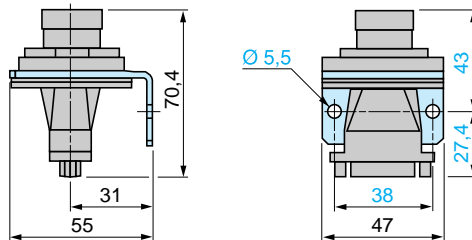
4 TSX CAP H15 connector.

5 Cable with connectors TSX CDP●●1.

6 Ribbon or cable with connectors TSX CDP●●2 ou TSX CDP●●3.

## Dimensions

### TSX TAP S15 ●●



Mounting through enclosure (dust and damp proof):

□ cu-out Ø 37,

□ panel with 5 mm maximum.

# Modicon TSX Micro automation platform

## TSX CTZ 1B absolute encoder positioning module

### Presentation

The 1 channel TSX CTZ 1B positioning module completes the TSX Micro platform range in the counting and positioning field through the acquisition of information from a SSI series absolute encoder.

This type of module allows for the following and actual positioning of a moving object, including after a loss of power. This characteristic, linked to the absolute encoder is used to simplify the installation of positioning applications. It also simplifies the input interfaces by suppressing homing, adjustment ...

Depending on the model, the TSX Micro PLCs can receive the maximum of:

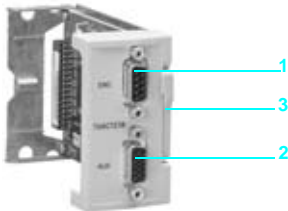
- TSX 37 05/10, 2 TSX CTZ 1B modules in slots 3 and 4.
- TSX 37 08, 2 TSX CTZ 1B modules in slots 5 and 6.
- TSX 37 21/22, 4 TSX CTZ 1B modules in slots 3, 4, 5 and 6.
- and this within the limit of the number of channels generated by the TSX Micro PLC (see page 3/16).

### Description

The front panel of the TSX CTZ 1B half-size positioning module (1 channel) includes:

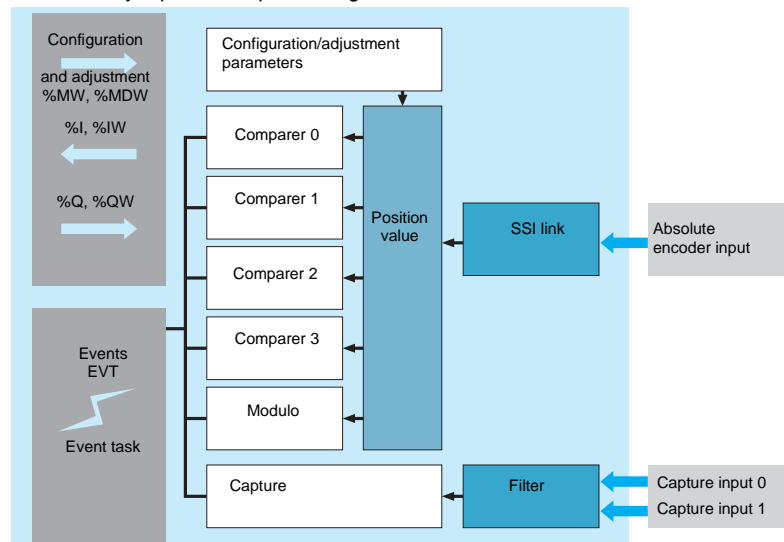
- 1 A 9-pin SUB-D connector for connecting the SSI absolute encoder.
- 2 A high density 15-pin SUB-D connector for connecting:
  - 2 position value capture sensors ,
  - absolute encoder supply.

A latch system for fixing the module in the slot.



### Operation

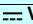
Functional synoptic of the positioning channel:



Implementation of the TSX CTZ 1B requires the use of version  $\geq 4.2$  of the PL7 Micro/Junior/Pro software. The TSX Micro PLC receiving the module should be equipped with the operating system version  $\geq 5.0$ .

# Modicon TSX Micro automation platform

## TSX CTZ 1B absolute encoder positioning module

Electrical characteristics			
Module type		TSX CTZ 1B	
Channel number		1	
Positioning input	Voltage	 V	5, 10...30
	SSI absolute encoder	Number of bits	8 ...25 bits
		Frequency	<b>kHz</b>
	Distance	<b>m</b>	150 max. (encoder-module)   10 max. (encoder-module)
Parallel output encoder (1)	Number of bits	24	

Capture input characteristics				
Number of inputs		2		
Nominal values	Voltage	<b>V</b>	24	
	Current	<b>mA</b>	8	
Limit values	Voltage	<b>V</b>	19...30 (wave included), up to 34 for 1 hour in 24.	
	At state 1	Voltage	<b>V</b>	> 11
		Current	<b>mA</b>	> 3 (U = 11 V)
	At state 0	Voltage	<b>V</b>	< 5
Current		<b>mA</b>	< 1.5	
Input impedance		<b>k ohms</b>	3	
Acceptance time	0 to 1 state	<b>µs</b>	< 50	
	1 to 0 state	<b>µs</b>	< 50	
Input type		Resistive		
IEC 1131 conformity		Type 1 sensor		
Detector compatibility		2 wire/3 wire (24 V) with the following specifications: <ul style="list-style-type: none"> <li>■ waste voltage at state 1 ≤ 7 V</li> <li>■ switched current ≤ 2.5 mA</li> <li>■ residual current ≥ 1.5 mA</li> </ul>		

(1) Using an absolute encoder with parallel outputs requires the Telefast 2 ABE 7CPA 11 adaptation base. This base is used to multiplex up to 4 absolute encoders. This multiplexing is controlled by the TSX Micro PLC discrete outputs.

Functions	
Module type	
Read frequency	TSX CTZ 1B Depending on mode: 200 kHz in slow mode 1 MHz in fast mode
Comparative function	4 thresholds each linked to 1 maskable EVti event (activation upon event tasks) and to 1 position bit in relation to the (upper/lower) threshold
Capture/measure function	2 capture inputs and 2 capture registers (on rising or falling edge)
Modulo function	The number of encoder data bits can be configured, with: <ul style="list-style-type: none"> <li>■ The modulo function limits the dynamic of the position value to a number of points defined by the "modulo" parameter value. The "modulo" passage causes an EVti activation event for the event task</li> <li>■ The reduction function is used to reduce the position value supplied by the absolute encoder</li> </ul>
Offset function	Two offset functions for the position measure are available: <ul style="list-style-type: none"> <li>■ Correction function for the encoder offset on the "zero" mechanical position</li> <li>■ Position measure adjustment function: corresponds to the position value adjustment (more or less)</li> </ul>
Checks	The checks are of the following type: <ul style="list-style-type: none"> <li>■ Detecting the encoder feedback voltage</li> <li>■ Checking the encoder link</li> <li>■ Parity check</li> </ul>



# Modicon TSX Micro automation platform

## TSX CTZ 1B absolute encoder positioning module

### Positioning module for absolute encoder



TSX CTZ 1B

Input type	Specifications	Channel number	Reference	Weight kg
Parallel or serial absolute SSI encoder (1) = 5 V, = 10...30 V	Acquisition of 200/1000 kHz	1	TSX CTZ 1B	0.205

#### Connection accessories

Designation	Connection	Connector on TSX CTZ 1B module	Add. (2)	Reference	Weight kg
SUB-D connectors (batch of 2)	Absolute SSI encoder	9-pin SUB-D type	3	TSX CAP S9	0.050
	Capture inputs, encoder supply	High density 15-pin SUB-D type	4	TSX CAP H15	0.050
Telefast 2 connection base	Capture inputs, encoder supply	9-pin SUB-D type	–	ABE 7CPA01	0.300
Telefast 2 adaptation base	Absolute encoder with parallel outputs (16...24 bits) = 5 V, = 10...30 V	High density 15-pin SUB-D type	–	ABE 7CPA11	0.300



ABE 7CPA01

#### Cable equipped with SUB-D type connectors

Designation	From	To	Add. (2)	Reference (1)	Weight kg
Cable length 2.5 m (0.205 mm2 section)	TSX CTZ 1B module, encoder supply and capture inputs (high density 15-pin SUB-D type)	ABE 7CPA01 base (15-pin SUB-D type connector)	5	TSX CCP H15	0.300

(1) Absolute encoder with parallel outputs and ABE 7CPA11 adaptation base. This base is used to multiplex up to 4 absolute encoders on the encoder input of the TSX CTZ 1B module.

(2) Addresses, see page 3/21.

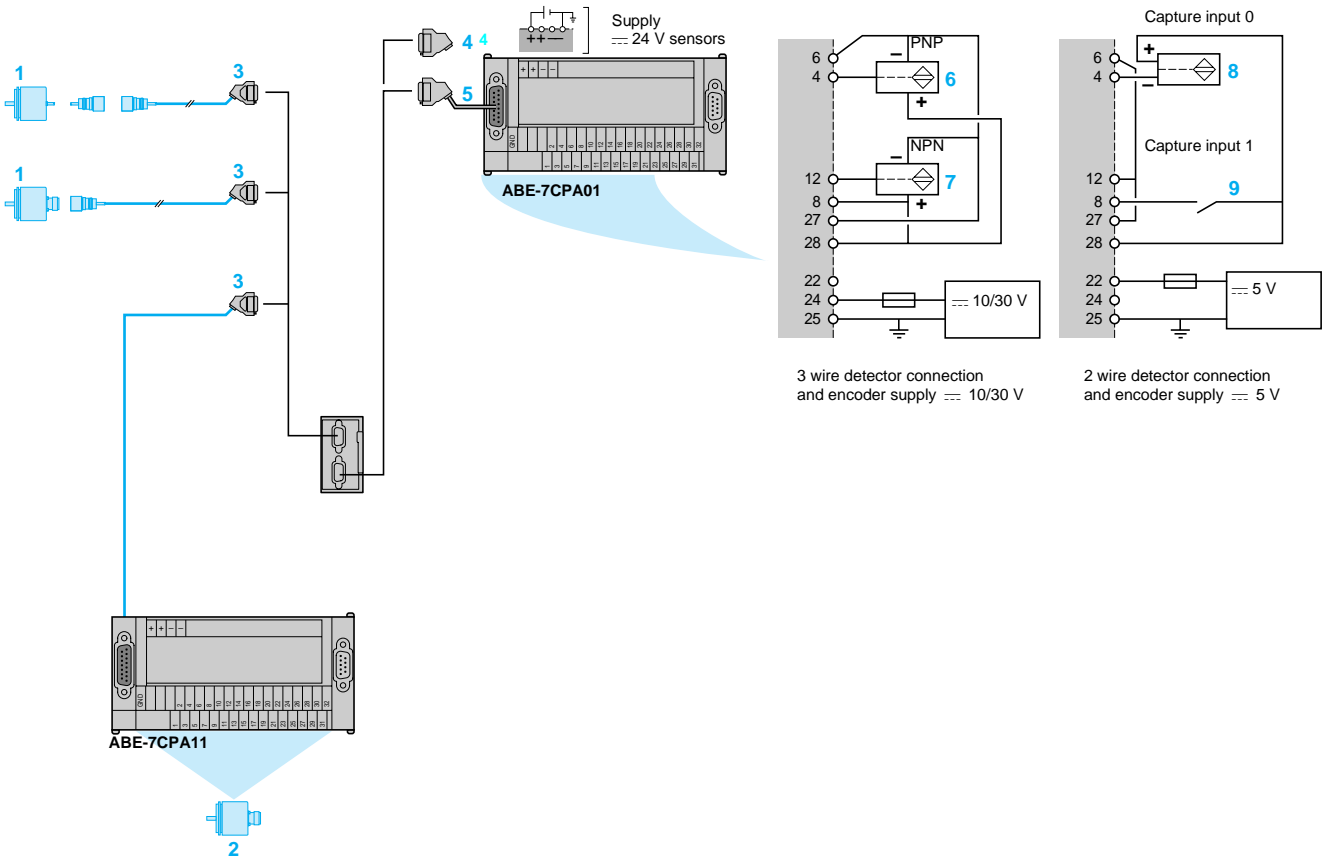
# Modicon TSX Micro automation platform

## TSX CTZ 1B absolute encoder positioning module

### Connections to the TSX CTZ 1B module

Absolute encoder connection

Sensor/supply connection examples



- 1 Serial absolute SSI encoder.
- 2 Absolute encoder with parallel outputs.
- 3 TSX CAP S9 9-pin SUB-D type connector.
- 4 TSX CAP H15 high density 15-pin SUB-D type connector.
- 5 TSX CCP H15 equipped cable.
- 6 3 wire PNP detector.
- 7 3 wire NPN detector.
- 8 2 wire detector.
- 9 Mechanical contact.





*Selection guide bus and network modules . . . . . page 4/2*

**4.1 - Ethernet TCP/IP network**

- Ethernet TCP/IP network modules. . . . . page 4/6
- ConneXium Ethernet cabling system . . . . . page 4/16

**4.2 - Machine bus and sensors/actuators bus**

- CANopen machine bus . . . . . page 4/22
- AS-Interface sensors/actuators bus . . . . . page 4/26
- Phaseo power supplies for AS-Interface bus . . . . . page 4/30

**4.3 - Modbus Plus network/Modbus bus**

- Modbus Plus network . . . . . page 4/34
- Modbus bus . . . . . page 4/38

**4.4 - X-Way network and buses**



- X-Way communication architecture . . . . . page 4/42
- X-Way communication . . . . . page 4/44
- Fipway network . . . . . page 4/46
- Fipio bus Agent function . . . . . page 4/50
- Fipio/Fipway on fibre optic. . . . . page 4/54
- Fipio bus and Fipway network cabling system . . . . . page 4/56
- Uni-Telway bus . . . . . page 4/60
- Asynchronous serial links . . . . . page 4/64
- Connecting cables for PCMCIA cards and TER/AUX ports . . . . . page 4/68



# Modicon TSX Micro automation platform

## Network and buses

4

<b>Applications</b>		Local area network conforming to TCP/IP standard	Local area network conforming to Modbus Plus standard
			
<b>Types of network or bus</b>		<b>Ethernet TCP/IP or RS 232 Modem (PPP)</b>	<b>Modbus Plus</b>
<b>Structure</b>	Physical interface	10/100BASE-T (RJ45)	Modbus Plus standard
	Access method	CSMA-CD	Rotating token
	Rate	10/100 Mbit/s	1 Mbit/s
<b>Medium</b>		Double twisted shielded pair	Twisted pair
<b>Configuration</b>	Maximum number of devices	64	32 per segment, 64 on all segments
	Maximum length	100 m max. between hub and terminal device	450 m per segment 1800 m with 3 repeaters
	No. of links/station	1 max.	
<b>Services</b>		<ul style="list-style-type: none"> <li>- TCP/IP ou PPP: Messagerie Uni-TE or Modbus</li> <li>- BOOTP/DHCP server</li> <li>- SNMP Agent service</li> <li>- Transparency communication on Ethernet or Modem link</li> <li>- Integrated Web server with or without Web user page (8 Mb)</li> </ul>	<b>Modbus message handling service:</b> <ul style="list-style-type: none"> <li>- Write/read variables</li> <li>- Global database</li> <li>- Peer Cop service</li> </ul>
<b>Type of TSX Micro PLC base</b>		TSX 37 10/21/22 PLC bases	TSX 37 21/22 PLC bases
<b>Nature of modules</b>		Independent module	Type III PCMCIA card
<b>Type of modules</b>		<b>TSX ETZ 410/510</b>	<b>TSX MBP 100</b>
<b>Pages</b>		4/15	4/37

Local area network conforming to Fip standard



CAN field bus



Open industrial field bus conforming to AS-i standard



**Fipway**

**Bus CANopen V4.02**

**AS-Interface**

Fip standard  
Bus managed by bus arbitrator

ISO 11898  
CSMA/CA, multi-master  
10 Kbit/s...1 Mbit/s according to distance

AS-Interface standard, M2 profile  
Master/slave  
167 Kbit/s

Twisted shielded pair  
Fibre optic via transceivers or repeaters

Double twisted shielded pair

2-wire AS-Interface cable

32 per segment, 64 on all segments  
1000 m per electrical segment  
5000 m max. with repeaters

127 slaves  
From 20 m (1 Mbit/s)...2500 m (20 Kbit/s)

31 sensor/actuator devices  
100 m  
200 m with repeaters

- Uni-TE
- COM/shared table
- Application-to-application
- Telegram

- CANopen :
- Implicit PDO exchange
  - Explicit SDO exchange or CAN function block
  - Explicit PDU CAN exchange

Transparency of exchanges with sensor/actuator devices

Type III PCMCIA card

TSX 37 10/21/22 PLC bases

Half-format module to be insert in slot 4

**TSX FPP 20**

**TSX CPP 110**

**TSX SAZ 10**

4/49

4/25

4/27

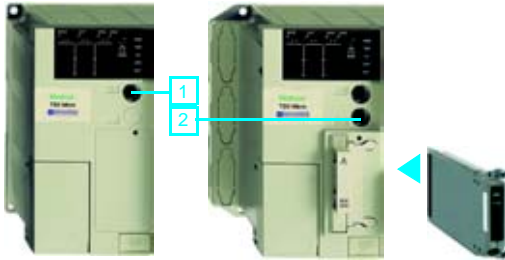
# Modicon TSX Micro automation platform

## Network and buses

4

<b>Applications</b>		Modbus open industrial field bus	Open industrial fieldbus conforming to Fip standard
			
<b>Types of network or bus</b>		<b>Modbus RTU</b>	<b>Fipio (agent)</b>
<b>Structure</b>	Physical interface	RS 485, isolated via TSX P ACC 01 tap	Norme Fip
	Access method	Slave   Master/slave	Bus managed by bus arbitrator
	Rate	19,2 Kbit/s max.	1 Mbit/s
<b>Médium</b>		Double twisted shielded pair	Twisted shielded pair Fibre optic via transceivers or repeaters
<b>Configuration</b>	Maximum number of devices	28 devices max. 98 slave addresses max.   248 slave addresses max.	32 per segment, 128 on all segments
	Maximum length	1300 m max. for isolated RS 485	From 1000 m to 15,000 m (depending on the medium use) with repeaters
	No. of links/station	1 max.	
<b>Services</b>		Modbus slave RTU   Modbus master/slave RTU 13 Modbus functions (read/write bits and words, diagnostic...)	<ul style="list-style-type: none"> <li>- Uni-TE</li> <li>- Periodic data exchange</li> <li>- Application-to-application</li> <li>- Transparent exchange of remote I/O</li> </ul>
<b>Type of TSX Micro PLC base</b>		TSX 37-05/08/10 PLC bases	TSX 37-21/22 PLC bases
<b>Nature of modules</b>		Built-in link on terminal port	Type III PCMCIA card
<b>Type of modules</b>		<b>1 TER terminal port</b>	<b>2 AUX terminal port</b>
<b>Pages</b>		4/40	4/53

Uni-Telway multicomponent industrial bus



Asynchronous serial links



Uni-Telway

RS 485 non-isolated RS 485 isolated via TSX P ACC 01 tap	RS 232D RS 485 isolated 20 mA CL
Master/slave	
19,2 Kbit/s max.	

Double twisted shielded pair
------------------------------

5 (excluding programming terminal)	Point-to-point in RS 232D, 28 in RS 485, 16 in 20 mA CL
10 m non-isolated 1300 m isolated	15 m in point-to-point 1000 m in RS 485 1300 m in 20 mA CL

1 max.

- Uni-TE Client/Server 240 bytes (128 bytes on terminal port)
- Application-to-application 240 bytes (128 bytes on terminal port)
- Transparency of all devices on X-Way architecture via the master

TSX 37-05/08/10 PLC bases      TSX 37-21/22 PLC bases

Built-in link on terminal port      Type III PCMCIA card

- 1 TER terminal port
- 2 AUX terminal port
- TSX SCP 11p (1)
- TSX SCP 111
- TSX SCP 114
- TSX SCP 112

4/63

Character mode

RS 232D	RS 485 isolated RS 422	20 mA CL
-		
0,3...19,2 Kbit/s	1,2...19,2 Kbit/s	

-	Double twisted shielded pair
---	------------------------------

Point-to-point	Point-to-point in RS 422 Multipoint in RS 485	Point-to-point Multipoint
15 m	1000 m	1300 m

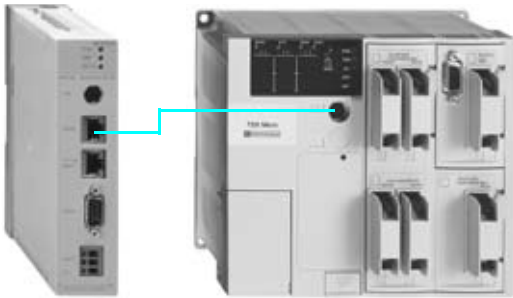
- 4096 characters max.
- 7 or 8 bits, 1 or 2 stop bits
- Even, odd or none parity

4/65

(1) At the end of reference, replace p by 1: RS 232D, by 2: 20 mA CL or by 4: isolated RS 485.

# Modicon TSX Micro automation platform

## Ethernet network and TCP/IP Modem serial link



TSX Micro platforms connect to the Ethernet TCP/IP network via 2 external and autonomous TSX ETZ 410/510 modules. These modules are also used to link to an external modem.

### Ethernet TCP/IP TSX ETZ 410 module

The TSX ETZ 410 module includes:

- A Modbus/Uni-TE TCP/IP communication profile on Ethernet 10/100 Mbits/s or TCP/IP via RS232 serial link connected to an external 56K bit/s modem.
- The integrated Web server function. The integrated Web server provides access to:
  - the module configuration,
  - the PLC diagnostics system function, "Rack Viewer",
  - the communication diagnostics function,
  - the access function to the PLC data and variables, "Data Editor",
  - and accepts the scanned input/output function; the TSX ETZ 410 can be scanned by a device which supports the exchange of I/O Scanning input/outputs.

### Ethernet TCP/IP TSX ETZ 510 module

The Ethernet TSX ETZ 510 uses all the functions of the TSX ETZ 410 module, and in addition, the following functions on the level of the integrated Web server function.

- Graphic object editor function to assist in creating Web user pages.
- Configuration tool for the integrated WEB server.

### Integration into structures

The Ethernet TSX ETZ 410/510 modules communicate with the Micro TSX 37 10/21/22 PLCs, which are equipped with the operating system version IE ≥ 2.0. They connect:

- Via the:
  - TSX 37 10/21/22 PLC terminal port (TER),
  - TSX 37 21/22 PLC auxiliary port (AUX),
  - TSX SCP114 serial link PCMCIA card inserted into the TSX 37 21/22 PLC.
- On a Uni-Telway bus, via the TSX SCA 50 derivation box or the TSX P ACC 01 isolation box.

The Ethernet TSX ETZ 410/510 modules are configured with the assistance of a standard browser using:

- The Ethernet network.
- RS 232C serial link (PPP protocol).

The Ethernet TSX ETZ 410/510 modules ensure that the TSX Micro PLC TER port is duplicated; the PLC connected to the TSX ETZ 410/510 module via this TER port can be accessed locally by a programming terminal equipped with PL7 TSX Micro/Junior/Pro software.

### TCP/IP profile on Ethernet and on the serial link by modem

#### Summary of the OSI structure

OSI model		Ethernet TCP/IP profile	Modem serial link
7	Application	Uni-TE Modbus	Uni-TE Modbus
6	Presentation	↑	↑
5	Session		
4	Transport	TCP	TCP
3	Network	IP	IP
2	Link	Ethernet II or LLC IEEE 802.2 MAC IEEE 802.3	PPP
1	Physical	CSMA-CD IEEE 802.3	RS 232 point to point

The distributed automation applications can use a unique communication network which meet:

- The needs of real-time workshop performance.
- The open access requirements for the monitoring/commanding software based upon products using standard communication protocols or applications using Internet technology.

Ethernet and the point to point protocol (PPP) via serial link respond to different requirements in terms of data rate, capacity for open access on TCP/IP and flexibility in terms of topology.

Ethernet communication affects essentially the following applications:

- Co-ordination between programmable PLCs.
- Local or centralized supervision.
- Communication with production information management.
- Communication with remote inputs/outputs.

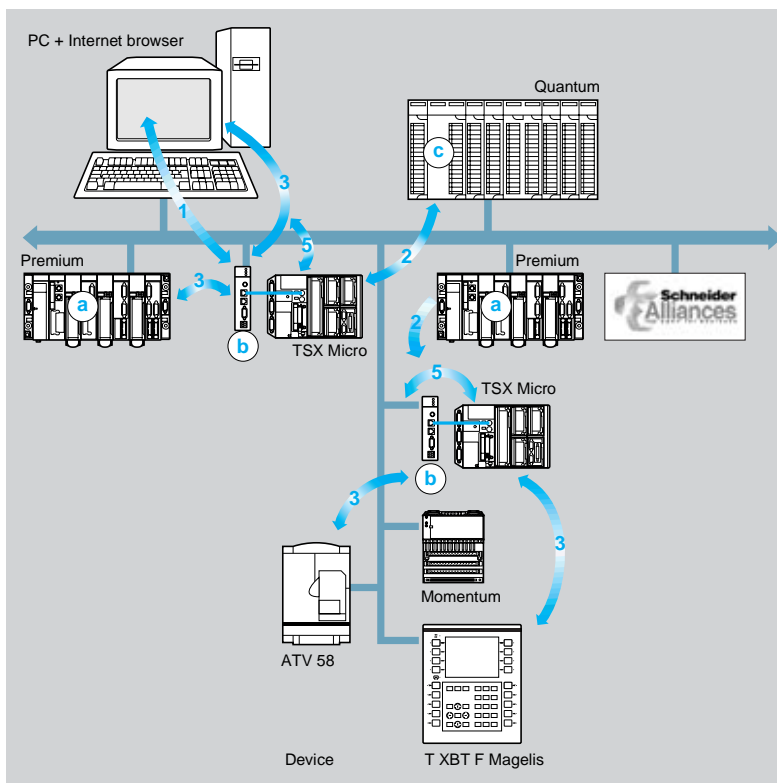
The various services offered are as follows:

- The TCP/IP protocol standard permits communication with:
  - the Quantum platforms in the Modbus messaging, with the 140 NOE 771 ●● module,
  - the M1E CPUs associated with the Momentum inputs/outputs I/O base in Modbus messaging,
  - the Premium platforms with TSX ETY 110 module (outside of Ethway profile) or TSX ETY 410●/510● module,
  - a PC terminal, which supports a standard browser for the Ethernet network,
  - a PC terminal, with a modem which supports a standard browser for the serial link,
  - all Uni-TE/Modbus TCP/IP devices (ATV 58 drive, Magelis terminals, etc.).
- The SNMP V1 network agent function. All Ethernet modules integrate the MIB II standard (Management Information Base RFC 1213) and the Ethernet Transparent Ready private MIB. These are compatible with the main network administration software available on the market.

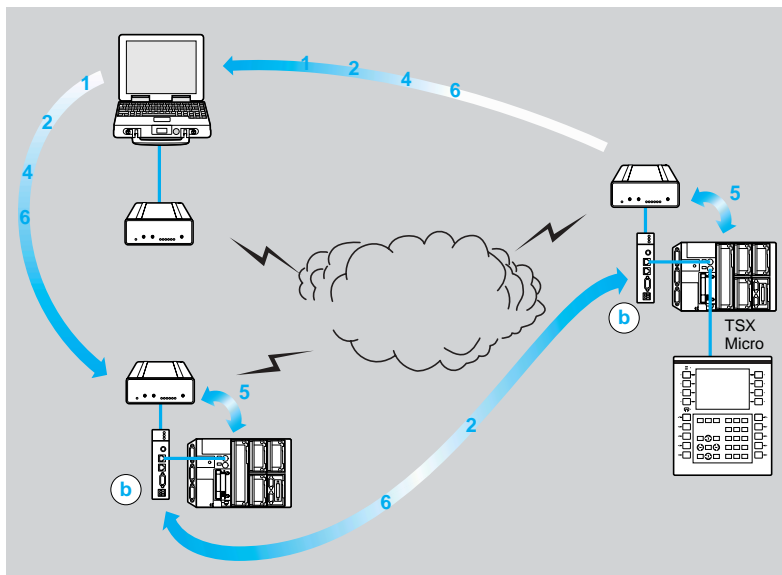
# Modicon TSX Micro automation platform

Ethernet network and TCP/IP Modem serial link

## Ethernet link



## Modem link



1, 2, 3, 4, 5 and 6 See functions on page 4/9.

- a Premium Ethernet TSX ETY 410●/510● module.
- b TSX Micro Ethernet TSX ETZ 410/510 module.
- c Quantum Ethernet 140 NOE 711 ●● module.

4  
1.1



### Services linked to Ethernet applications

The TSX ETZ 410/510 modules integrate the services linked to the Ethernet applications:

- 1 Integrated Web server services:
  - IP configuration for the TSX ETZ 410/510 via standard browser on the Ethernet network or locally,
  - Access security,
  - PLC diagnostics system Function "RackViewer",
  - Communication diagnostics function,
  - Access function to the PLC data and variables, "Data Editor",
  - Download of Uni-TE PL7 applications,
  - Graphic object editor (only on TSX ETZ 510),
  - display of predefined Web pages,
  - User Web pages (only on TSX ETZ 510).
- 2 Scanned inputs/outputs service performed from the Premium or Quantum PLC (I/O Scanning function).
- 3 Uni-TE messaging in TCP/IP in Client/Server mode:
  - Remote terminal: Terminal transparency (see page 4/45).
- 4 Un-TE messaging in TCP/IP in Client/Server mode:
  - Conversion of Modbus requests to Uni-TE requests going to the TSX Micro PLC and vice versa for the reply.
- 5 TCP/IP messaging gateway to Uni-TE.
- 6 API calling/called (only for Modem link).

### Standard Ethernet services for TSX ETZ 410/510

The TSX ETZ 410/510 modules conform to the following standard protocols:

- BOOTP: attribution of IP address via a server (also for addressing by default or from a PC equipped with a standard browser).
- DHCP (1): automatic reconfiguration by replacing a faulty module (FDR function).
- SNMP (2): *network management protocol. The TSX ETZ 410/510 modules integrate the standard MIB II and the private Ethernet Transparent Ready MIB.*

(1) Only for Ethernet link:

**Bootstrap Protocol:** protocol for starting up terminals or stations without a disk via centralized management of network parameters.

**Dynamic Host Configuration Protocol:** protocol, which allows a station connected to a network to dynamically obtain its configuration.

(2) **Simple Network Management Protocol:** Network management protocol which is used to monitor a remote network by requesting the status of the stations and modifying their configuration, performing security checks and observing various information linked to data transmission. It can also be used to manage remote data bases and software.

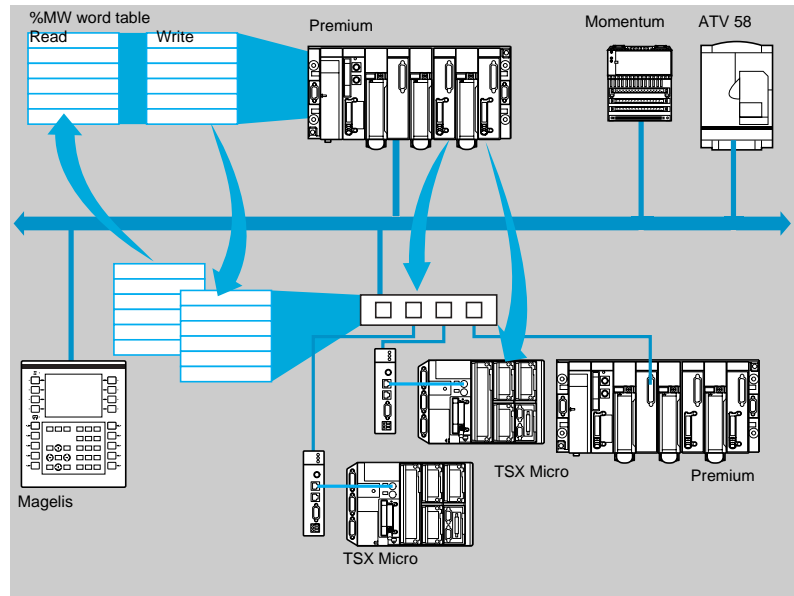
# Modicon TSX Micro automation platform

## Ethernet network and TCP/IP Modem serial link

### Scanned inputs/outputs service

The Ethernet ETZ 410/510 modules for the TSX Micro PLC accept the scanned I/O service, which is performed by the Premium or Quantum modules using the I/O Scanning service (TSX ETY 410●/510●, 140 NOE 771 ●●).

### Flow chart



This service is used to manage the exchange of remote inputs/outputs on the Ethernet network after a simple configuration and without the need for specific programming.

Inputs/outputs are scanned transparently with the assistance of read/write requests according to the Modbus protocol on the TCP/IP profile. This principle of scanning via a standard protocol is used to communicate with any device supporting a Modbus server on TCP/IP or with a built-in Modbus/Uni-TE converter on TCP/IP.

### Integrated Web server

The Ethernet TSX ETZ 410/510 modules have an integrated Web server. On a TSX Micro PLC level, the functions of the Web server allow:

- configuration,
- diagnostics,
- access to variables,
- graphic editing,
- display of predefined Web pages and
- use of a Web page configuration tool.

This server is a PLC real-time data server. All TSX Micro PLC CPU data which support one of these modules are presented in the form of standard HTML-web pages and can also be accessed by all standard browsers capable of embedded Java or by FactoryCast software (supplied on CD-Rom with each Ethernet module).

All functions from the Web server do not require any configuration or programming, either on the level of the TSX Micro PLC, or on the level of the compatible PC which supports the Internet browser. Furthermore, this module can be used in an existing configuration without any modification to the current program.

4  
1.1



### Configuration function

The configuration function for the module is a predefined function. It allows:

- Altering the user name and password for access to the secure page.
- Configuration of the TCP/IP parameters.
- Configuration of the Uni-Telway parameters.
- Automatic re-configuration.
- Configuration of the SNMP parameters.
- The module reset.



### “Rack Viewer” function, TSX Micro PLC diagnostics

The predefined “Rack Viewer” function (display of PLC rack) is used to diagnose the TSX Micro PLC connected to the network via the Ethernet module. This is a predefined secure function (accessed using a password) which allows real-time display from a standard browser:

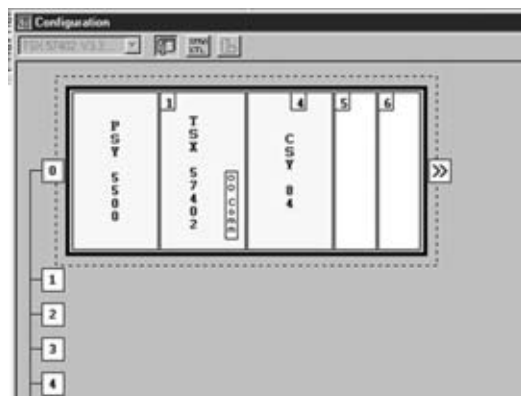
- The status of the LEDs on the front panel of the PLC.
- The version type of the PLC.
- The hardware configuration of the PLC with the status of the system words and bits.
- The detailed diagnostics of each I/O module or application share this configuration.



### Communication diagnostics function

The communication diagnostics function is a predefined secure function (accessed using a password) which allows real-time display from a standard browser:

- The Ethernet network statistics.
- The Uni-Telway bus statistics.
- The RS 232 Modem serial link diagnostics.



### “Data Editor” function, access to the PLC data and variables

The access to the variables function is a predefined and secure function (accessible by password) allowing the creation of an events table to access the list of PLC variables in read or write.

The variables to be displayed can be entered and displayed as:

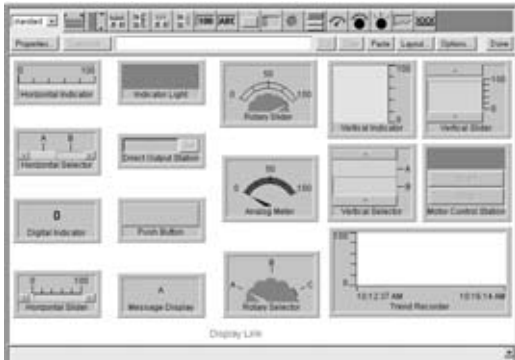
- Address (%MW99) for the TSX ETZ 410 module.
- Symbol (S\_Pump 234) or address (%MW99) for the TSX ETZ 510 module.

In order to be able to write a value in a variable, you will need to enter and confirm a second password. The animation tables created by the operator can be saved in the Ethernet TSX ETZ 410/510 module.

# Modicon TSX Micro automation platform

Ethernet network and TCP/IP Modem serial link

4  
1.1

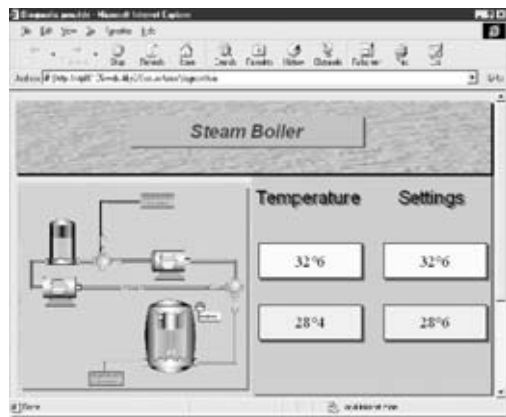


### Graphic object editor function

(available on the TSX ETZ 510 module)

The graphic object editor function enables you to create graphic designs, including animated graphic objects, linked to PLC variables. These customized designs can be used in user Web pages created with FactoryCast software.

These designs are created using simple cut/paste operations and the objects are set according to the needs of the user (color, PLC variables, label...). Once the designs have been created, they can be saved in a transparent way in the Ethernet TSX ETZ 510 module.



### Display of predefined Web pages

(available on the TSX ETZ 510 module)

The TSX ETZ 510 module also has an 8 M bytes (1) Flash EPROM type memory, which is accessible as a hard disk and permits the reception (hosting) of Web pages defined by the user.

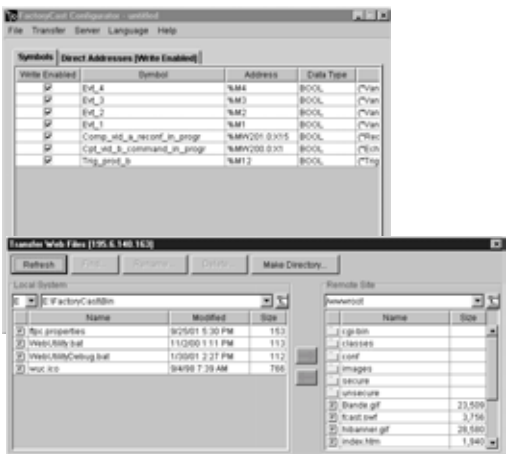
These Web pages can be created using any standard tool that lets you create and edit in HTML format. Eight pages can be enhanced by inserting animated graphic objects provided by the graphic object editor.

Once created, these Web pages allow you to:

- Display all PLC variables in real time.
- Insert hyperlinks to external servers (documentation, suppliers...).

This function is particularly useful for creating graphics and images intended for:

- Display, monitoring, diagnostics.
- Development of real time production reports.
- Maintenance assistance.
- User guides.



### FactoryCast configuration tool for the integrated WEB server

(only available on the TSX ETZ 510 module)

The FactoryCast software, version > 2.2.1 (supplied on the CD-Rom with the TSX ETZ 510 module), allows you to configure and administer the Web server embedded in the module. It is common to the TSX Micro, Premium and Quantum automation platforms.

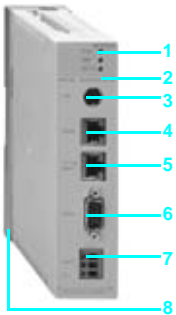
It provides the following functions:

- Access security.
- Definition of the User names and associated passwords to access the Web pages.
- Definition of the access to the variables authorized in modification.
- Access to the PL7 application and to the TSX Micro PLC data.
- Save/restore a complete Web site.
- Transfer of Web pages created in local mode by the user on a PC-compatible workstation to the TSX ETZ 510 module and vice versa.

(1) Memory that is insensitive to power outages and to PLC resets.

# Modicon TSX Micro automation platform

## Ethernet network and TCP/IP Modem serial link



### Description of the TSX ETZ 410/510 modules

The Ethernet TSX ETZ 410/510 modules are autonomous and thus do not fit into a TSX Micro PLC rack, but fix onto a DIN profile or on AM1-PA perforated mounting plate.

The front of the TSX ETZ 410/510 modules are arranged as follows:

- 1 Three display LEDs indicating the module status (RUN, ERR, RX/TX).
- 2 A screened-on label indicating the module's MAC address (default address set in the M bit).
- 3 A mini DIN connector for terminal port (TER address).
- 4 An RJ45 connector for Uni-Telway auxiliary port RS 485 serial link (RS 485 address).
- 5 An RJ45 normalized connector for connecting to the Ethernet network (10/100BASE-T address).
- 6 A 9 pin male SUB-D connector for RS 232 serial link (Modem).
- 7 A screw terminal block for connecting to the external power supply  $\approx$  24 V.
- 8 A support plate enabling it to be fixed to the module.

### Wiring system

The TSX ETZ 410/510 modules support two kinds of exclusive TCP/IP connections:

- By Ethernet network via 10BASE-T/100BASE-TX (RJ45) interface, see page 4/21 for accessories and connection cables.
- By Modem via RS 232 serial link, see page 4/66 for accessories and connection cables.

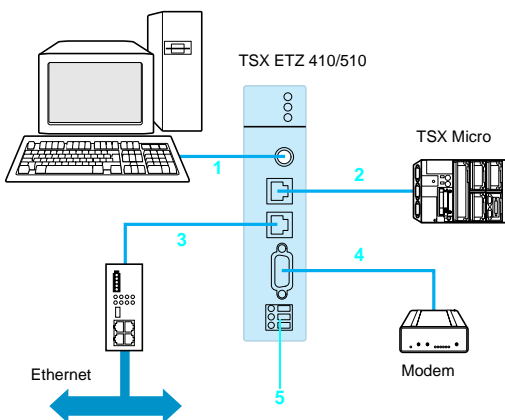
The TSX ETZ 410/510 modules are connected to the TSX Micro PLCs TSX 37 10/21/22 via:

- The terminal port (TER) or the auxiliary port (AUX).
- The PCMCIA RS 485 TSX SCP114 serial link.

### Flow chart

The wiring chart opposite corresponds to one of the methods of connection.

The TSX ETZ 410/510 module is attached to the TSX Micro PLC via its terminal port (TER or AUX).



- 1 **TSX PCU 1031**: Uni-Telway connection cable between a compatible PC and the TER port of the TSX ETZ 410/510 module.
- 2 **TSX ETZ CDN 003**: connection cable (0.35 m cable, supplied with the TSX ETZ 410/510 module) between the module (rep. RS 485) and the TER/AUX port of the TSX Micro PLC. The **TSX CX 100** cable authorizes a connection with longer lengths (up to 10 m).
- 3 **490 NTW 000●●**: shielded twisted pair cable connection right of the module (rep. 10BASE-T/100BASE-TX) to Ethernet via hub (see page 4/21). Length from 2...80 m.
- 4 RS 232 cable between the SUB-D 9 connector contacts of the module (rep. RS 232) and the Modem.
- 5 Connection for external power supply  $\approx$  24 V (see Phaseo power supply page 2/61).

### Characteristics of the TSX ETY 410/510 modules

Type of link		Ethernet	Serial link by Modem
Structure	Nature	Local industrial heterogeneous network which conforms to the IEEE 802.3 standard	Telephone line (1)
	Topology	Star-shaped or tree-structure network	–
	Physical interface	–	RTC Link
	Protocol	–	Point-to-point protocol
Transmission	Mode	Manchester-type baseband	Half or full duplex
	Binary data rate	10/100 M bit/s with automatic recognition	RS 232 link to 56 K bit/s max
	Medium	10BASE-T, double shielded twisted pair of type STP, impedance 100 Ω ± 15 Ω 100BASE-T, Ethernet cable category 5 conforms to standard EIA/TIA 568A	Shielded RS 232 cable (crossover DTE/DTE)
Configuration	Number of stations	Point-to-point connection (via normalized RJ45 connector) enabling a star-shaped network to be formed (the stations are linked to hubs or switches). 64 stations max. per network	2 (point to point link)
	Length	100 m max. between terminal device and hubs	–

### Services and functions supported by the module

Shared services	Different shared services: - scanned inputs/outputs service performed from the Premium/Quantum PLC with the I/O Scanning function - inter-PLC communication in Uni-TE or Modbus TCP/IP - download of Uni-TE PL7 applications - diagnostics module - remote terminal: Terminal transparence (see page 4/45) - adjustment, debugging and modifications to the program
TCP/IP services	in Uni-TE: - client/server mode (32 simultaneous connections) - 128 byte client/server requests (synchronous mode) - 1Kbyte client/server requests (asynchronous mode) In Modbus: - client/server mode (32 simultaneous connections) - 128 byte synchronous requests
Integrated Web server function (2)	Different Integrated Web server services: - maximum simultaneous connection of 8 standard browsers - IP configuration for TSX ETZ 410/510 module via standard browser - PLC diagnostics system function "RackViewer" - communication diagnostics function - access function to the PLC data and variables "Data Editor" - graphic objects editor (3) - Web pages defined by the user (8 Mb available) (3)

### Electrical specifications

Supply voltage	Nominal	≡	24
	Limits	≡	19.2...30
Wave rate			5% max.
Accepted micro-cuts		ms	1
Permitted overvoltage		≡	34 max. (for 1 hour in 24)
Power consumption	Nominal	mA	100
	Limits	mA	50...200
Power dissipation		W	2.4 (4 max.) without consumption on terminal port

### Environment

Conforming to standards	The TSX ETZ 410/510 modules conform to the TSX Micro PLC requirements (see page 1/13), which meet the following standards: ISO/IEC 8802-3, ANSI/IEEE Std 802.3 (4th edition 1993-07-08), conforming to the FCC-B rule for radiated emissions (50082-1)
-------------------------	--

(1) Transmission via Modem can also be by radio or satellite.

(2) Requires a standard browser on the PC (i.e. Internet Explorer version 4, Netscape version 4.05 or other) which is capable of executing Java code.

(3) Services available on the TSX ETY 510 module.

### Ethernet TCP/IP network modules



Designation	Data rate and communication profile	Integrated Web Server		References	Weight kg
		Diagnostics	Web user pages		
<b>Ethernet modules for Micro TSX 37 10/21/22 PLC</b> (1), (2)	Ethernet 10/100 Mbps or Modem 56 Kbps	yes	–	<b>TSX ETZ 410</b>	0.280
	Uni-TE on TCP/IP or Modbus on TCP/IP	yes	8 Mb available	<b>TSX ETZ 510</b>	0.280

#### Connection cables and accessories

Designation	From	To	Use	Length	References (3)	Weight kg
<b>Ethernet twisted shielded cables</b> (3)	TSX ETZ 410/510 module (RJ45 connector add. ETH)	Ethernet Hub (RJ45 connector) See page 4/21	Link to Ethernet network	2 m	<b>490 NTW 000 02</b>	–
				5 m	<b>490 NTW 000 05</b>	–
				12 m	<b>490 NTW 000 12</b>	–
				40 m	<b>490 NTW 000 40</b>	–
				80 m	<b>490 NTW 000 80</b>	–

<b>RS 485 Uni-Telway cables</b>	TSX ETZ 410/510 module (mini DIN connector add. TER)	Compatible PC (female SUB-D 9 pin connector)	Uni-Telway bus link via terminal port	2.5 m	<b>TSX PCU 1031</b>	0.140
		TSX SCA 50 connection box	Uni-Telway bus link via terminal port	10 m (4) (5)	<b>TSX CX 100</b>	–

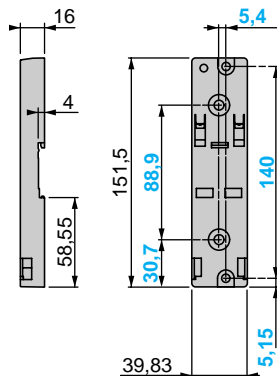
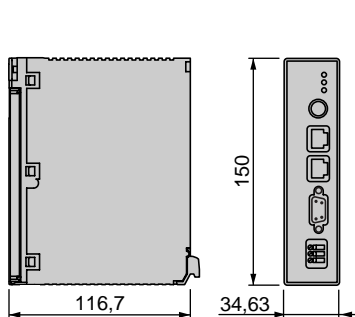
<b>Terminal port (TER) connection box</b>	Uni-Telway derivation bus	TSX ETZ 410/510 module or TSX Micro PLC (mini DIN connector add. TER)	Uni-Telway bus isolation signals for buses > 10m in length, end of line adaptation, bus cable derivation	1 m (TER port link cable)	<b>TSX P ACC 01</b>	0.690
---	---------------------------	---	--	---------------------------	---------------------	-------

<b>Passive derivation box</b>	Uni-Telway derivation bus	TSX ETZ 410/510 module (mini DIN connector add. TER)	Derivation and prolonging of bus cable, end of line adaptation	–	<b>TSX SCA 50</b>	0.520
-------------------------------	---------------------------	--	--	---	-------------------	-------

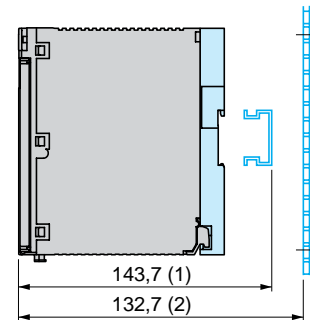
- (1) Requires a TSX 37 10/20/21 PLC with a version  $\geq 2.0$  operating system, supplied with a TSX ETZ CDN 003 link cable (0.35 m in length). These modules should be supplied with  $\leq 24$  V. (See supply process page 2/61).
- (2) Supplied with CD-Rom including the FactoryCast V2.2.1 software, the Ethernet Transparent Ready Part A, the user manual for the Ethernet TSX ETZ 410/510 modules.
- (3) Add the letter **U** to the end of the reference for CSA 22.1, NFPA 70 and UL approved cables (flame-retardant).
- (4) Free wire on the side of the TSX SCA 50 connection box.
- (5) If the 0.35 m of TSX ETZ CDN 003 cable, supplied with the TSX ETZ 410/510 modules, is not suitable, it is possible to use the TSX CX 100 cable (10 m in length). In this case, attach an 8 pin RJ45 connector (category 5) to the end of the free wire.

### Dimensions, mounting

TSX ETZ 410/510 modules



Mounting on profiled AM1 DE200 or AM1 DP200 or on AM1 PA mounting plate



- (1) 136.2 mm with profiled AM1 DP200  
(2) Assembly on AM1 PA mounting plate

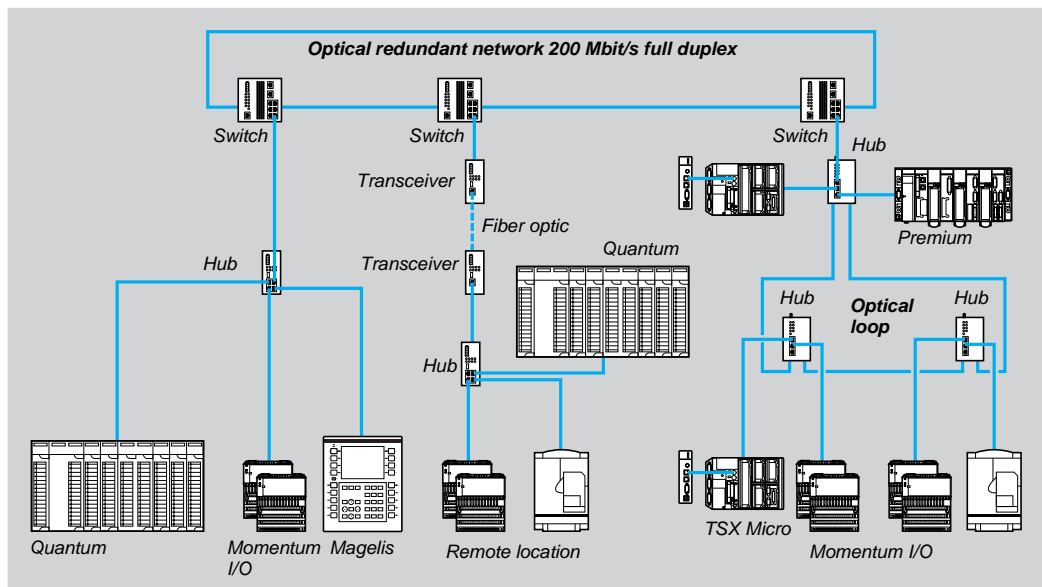
# Modicon TSX Micro automation platform

## ConneXium industrial Ethernet

### Presentation

As part of its Transparent Ready family of products, Schneider Electric offers a range of industrially hardened network hubs, switches, transceivers, bridges, and cables. These Ethernet-standard communication components enable you to integrate Ethernet solutions from the device level to the control network, and beyond to the corporate intranet. Each ConneXium Industrial Ethernet product is designed with compliance to Ethernet standards, and with third-party compatibility in mind.

- ConneXium Hubs connect devices and provide segments to shared communication among PLCs. TF Hubs are low-cost solutions which enable communications with devices, such as Momentum I/O, to Ethernet networks.
- ConneXium Switches segment the application in different zones, groups, or cells/machines. The proper placement of switches can increase network performance by relieving network congestion. TF switches implement SNMP protocol, allowing standard network management tools to monitor and diagnose the network, and thus are a key architectural component for real-time and deterministic network communication.
- ConneXium Transceivers provide connections to fiber optic networks in areas of high electromagnetic interference. The use of multiple transceivers enables long distances between process areas.
- ConneXium Bridges enable Modbus to Ethernet and Modbus Plus to Ethernet communications, with multiple ports allowing flexibility among network components.
- ConneXium Cables connect each automation device to the attached hub, switch, transceiver, or bridge. Cables are available in fiber optic and twisted pair options, with a wide variety of connectors and cable lengths.



All Ethernet cabling system components are built to rigorous industrial standards, and are designed to perform in harsh environments. ConneXium Switches and Hubs support a high level of resilience. Their scalable redundant features - from single to double ring structure - make it easy to build the kind of fault-tolerant network that fits the specific requirements of your environment.

4  
1.1



Characteristics of hubs				
Mechanical characteristics				
Models		499 NEH 104 10	499 NEH 141 00	499 NOH 105 10
Operating temperature	° C (F)	0...60 (32...140)		
Relative humidity		10...95 % (non-condensing)		
Dimensions (W x H x D)	mm (in)	40 x 125 x 80 (1.58 x 4.92 x 3.15)	47 x 135 x 111 (1.85 x 5.31 x 4.37)	80 x 140 x 80 (3.15 x 5.51 x 3.15)
Weight	g (Lb)	520 (1.2)	240 (0.529)	900 (2)
Enclosure		IP 30	IP 20	IP 30
Agency approvals and compliance		cUL 1950 ; FM 3810 ; FM 3611 Class 1, Div. 2; CE ; Germanischer Lloyd ; IEC 61131 2		
Electrical characteristics				
Models		499 NEH 104 10	499 NEH 141 00	499 NOH 105 10
Technology		Ethernet 10 Mbit/s	Ethernet 100 Mbit/s, class 2	Ethernet 10 Mbit/s
Interfaces		4 10BASE-T ports with RJ45 shielded connectors	4 100BASE-TX ports with RJ45 shielded connectors	- 3 10BASE-T ports with RJ45 shielded connectors - 2 10BASE-FL ports with BFOC connectors
Connection type		Twisted pair cable	–	Twisted pair cables or redundant fiber optic ring
Operating voltage	VDC	18...32, safety low voltage		
Terminal block		1 x 5-pin, pluggable		
Redundancy		Power supply		Power supply and optical ring
Power consumption at 24 VDC	mA	80 typical, 130 maximum	210 typical, 270 maximum	160 typical, 350 maximum
Maximum range	m (ft)	Twisted pair line length, max 100 (max 330)		Fiber optic: max 3100 (max 10.000) Twisted pair: max 100 (max 330)
Number of hubs	cascaded	4 max	2 max	4 max
	in a ring	–		11 max
Fault indicator		Power supply failure, permanent fault in hub, faulty link status of TP port (volt-free contact 1 A max. under $\overline{\text{---}}$ 24 V)		
LED indicators		P1, P2 power, DA/STAT, data collision, segmentation, and link status per port		

### Characteristics of switches

#### Mechanical characteristics

Models		499 NES 181 00	499 NES 171 00	499 NOS 171 00	499 NES 251 00
Operating temperature	° C (F)	0...60 (32...140)	0...50 (32...122)		0...60 (32...140) (- 20...85 on storage)
Relative humidity		10...95 % (non-condensing)			
Dimensions W x H x D	mm (in)	47 x 135 x 111	110 x 131 x 111		43 x 143,8 x 75,2 (mounting on panel or DIN rail )
Weight	g (Lb)	230	850		190
Enclosure		IP 20			
Agency approvals and compliance		cUI 1950, cUL 308 ; cUL 1604 ; FM 3810 Classe 1, Div.2 ; Germanischer Lloyd ; IEC 61131 2, C€			UL 508, CSA 1010, 89/336/EEC, 73/23 EEC (EN 61131 2)

#### Electrical characteristics

Models		499 NES 181 00	499 NES 171 00	499 NOS 171 00	499 NES 251 00
Technology		Ethernet 10 Mbit/s and Fast Ethernet 100 Mbit/s			
Interfaces		- 8 10BASE-T/ 100BASE-TX ports with shielded RJ45 connectors	- 5 10BASE-T/ 100BASE-TX ports with shielded RJ45 connectors - 2 100BASE-TX ports with RJ45 connectors	- 5 10BASE-T/ 100BASE-TX ports with shielded RJ45 connectors 2 100BASE-FX ports with SC connectors	- 5 10BASE-T/ 100BASE-TX ports with shielded RJ45 connectors
Connection type		Twisted pair cable		Twisted pair cables and redundant fiber optic ring	Twisted pair cable
Operating voltage	VDC	18...32, safety low voltage			19,2...30, safety low voltage
Terminal block		1 x 5 contacts			1 x 3 contacts
Power consumption at 24 VDC	mA	125 typical 290 max	800 max		100 (120 to 19,2 V)
Redundancy		- Power supply	- Power supply - Optical and/or copper ring structure - Fast media redundancy < 0.3 s - Redundant manager		-
Maximum range	m (ft)	100	Twisted pair line length, max 100 (max 330)	Fiber optic: 3100 maxi Twisted pair: 100 maxi	100
Number of hubs	cascaded	-	2 max		-
	in a ring	-	Maximum 50 @ 100 Mbit/s		-
Fault indicator		Power supply failure, permanent fault in switch; faulty link status of TP port; at least one port has auto-partitioned (volt-free contact 1 A max. under $\leq$ 24 V), self-test error, ring monitoring not possible			-
LED indicators		P1, P2 power, redundancy manager, data exchange/port			Power: OK power supply, LINK/Active: Ethernet link, 100MB: self commutable data rate

4

1.1

Characteristics of transceivers			
Mechanical characteristics			
Models		499 NTR 100 10	499 NTR 101 00
Operating temperature	° C (F)	0...60 (32...140)	
Relative humidity		10...95 % (non-condensing)	
Dimensions (W x H x D)	mm (in)	40 x 134 x 80 (1.58 x 5.28 x 3.15)	47 x 135 x 111 (1.9 x 5.3 x 4.4)
Enclosure		IP 30	IP 20
Agency approvals and compliance		cUL 1950 ; FM 3810 Class 1, Div. 2 ; CE ; Germanischer Lloyd ; IEC 61131 2	cUL 1950 ; cUL 508 ; cUL 1604 ; FM 3810 Class 1, Div. 2 ; CE ; Germanischer Lloyd ; IEC 61131 2
Electrical characteristics			
Models		499 NTR 100 10	499 NTR 101 00
Technology		Ethernet 10 Mbit/s	Ethernet 100 Mbit/s
Interfaces		1 10BASE-T port with shielded RJ45 connector 1 10BASE-FL port with BFOC connector	1 100BASE-TX port with shielded RJ45 connector 1 100BASE-FX ports with SC connector
Connection type		Twisted pair cable and fiber optic Ethernet cable	
Operating voltage	VDC	18...32, safety low voltage	
Terminal block		1 x 5-pin, pluggable	
Power consumption at 24 VDC	mA	80 typical 100 maximum	160 typical 190 maximum
Redundancy		Power supply	
Maximum range	m (ft)	10BASE-T 100 (328) 10BASE-FL 3100 (1070)	10BASE-TX 100 (328) 10BASE-FX 3100 (1070)
Link budget	dB	11.5 db for 50/125 and 62.5/125 μm fiber	8 db for 50/125 μm fiber, 11 db for 62.5/125 μm fiber
LED indicators		P1, P2 power, redundancy manager, data exchange/port	

## Characteristics of bridges

### Mechanical characteristics

Type of bridges		174 CEV 200 30	174 CEV 300 20
Operating temperature	°C	0...50	0...60
Relative humidity		10...95 % (non-condensing)	20...90% (non-condensing)
Dimensions (W x H x D)	mm	122 x 229 x 248	35 x 95 x 60
Weight	g	4263	500
Enclosure		IP 20	
Agency approvals and compliance		UL, CSA, CE	

### Electrical characteristics

Type of modules		174 CEV 200 30	174 CEV 300 20
Networks link		Modbus Plus to Ethernet	Modbus to Ethernet
Technology		Ethernet 10 Mbit/s	
Interfaces		- 1 10BASE-T port with shielded RJ45 connector; 10BASE2 (type BNC) ; 10BASE5 (type AUI) - 1 dual/simple pair cable Modbus Plus	- 1 10BASE-T/100BASE-TX port with shielded RJ45 connector - 1 RS 232/RS 485 serial port with shielded RJ45 connector
Connection type		1 RJ45, AUI, BNC cable	Twisted pair blinded cable
Operating power	V	110/220 AC (- 15 %/10 %), 47...63 Hz	24 DC
Power consumption		1 A typical	125 mA max
Redundancy		–	Power supply
Max. length of segments	m	10BASE-T: 100 10BASE2: 100 10BASE5: 100 Modbus Plus: 450	10BASE-T: 100





4

1.1

# Modicon TSX Micro automation platform

## ConneXium industrial Ethernet

## References

Industrial ConneXium					
Description	Type of Ethernet network	Available ports	Reference	Weight kg	
 499 NEH 104 10	Hubs	10 Mbit/s	8 10BASE-T/100BASE-TX ports	499 NES 181 00	1,450
			4 10BASE-T ports	499 NEH 104 10	0,520
			3 10BASE-T ports 2 10BASEFL ports	499 NOH 105 10	0,900
		100 Mbit/s	4 100BASE-TX ports	499 NEH 141 00	0,520
 499 NES 251 00	Switches	10/100 Mbit/s	5 10BASE-T/100BASE-TX ports	499 NES 251 00	0,190
			5 10BASE-T/100BASE-TX ports and 2 100BASE-TX ports	499 NES 171 00	1,450
			5 100BASE-TX ports and 2 100BASE-FX ports	499 NOS 171 00	1,450
 499 NTR 100 10	Tranceivers	10 Mbit/s	1 10BASE-T port and 1 10BASE-FL port	499 NTR 100 10	0,520
		100 Mbit/s	1 100BASE-TX port and 1 100BASE-FX port	499 NTR 101 00	0,520
 499 NES 171 00	Bridges	Modbus Plus/Ethernet (dual/simple pair Modbus)	1 10BASE-T (type RJ45) port or 10BASE2 (type BNC) or 10BASE5 (type AUI)	174 CEV 200 30	4,260
			Modbus/Ethernet	1 10BASE-T/10BASE-TX port (type RJ45)	174 CEV 300 20
<b>Accessoires de raccordement</b>					
Description	Utilisation	Ports Ethernet disponibles	Reference	Weight kg	
Mini transceiver	For connecting a 10BASE-5 interface device (2) to a 10BASE-T Ethernet network segment (twisted pair)	1 10BASE-5 (type AUI) port and 1 10BASE-T (type RJ 45) port	TSX ETH NTR1	-	
<b>Câbles de raccordement</b>					
Description	Preformed at each end	Length	Reference	Weight kg	
Shielded and foil twisted pair cord cable	2 connectors RJ45 type For connection to DTE terminal	2 m	490 NTW 000 02 (1)	-	
		5 m	490 NTW 000 05 (1)	-	
		12 m	490 NTW 000 12 (1)	-	
		40 m	490 NTW 000 40 (1)	-	
		80 m	490 NTW 000 80 (1)	-	
Shielded and foil twisted pair crossed cord cable	2 connectors RJ45 type For connection between hubs, switches and transceivers	5 m	490 NTC 000 05 (1)	-	
		15 m	490 NTC 000 15 (1)	-	
		40 m	490 NTC 000 40 (1)	-	
		80 m	490 NTC 000 80 (1)	-	
Fiber optic cable for terminal equipment to optical cross connecting bay	1 connector SC type and 1 connector MT/RJ	5 m	490 NOC 000 05 (1)	-	
		1 connector ST type (BFOC) and 1 connector MT/RJ	5 m	490 NOT 000 05	-
		2 connectors MT/RJ type	5 m	490 NOR 000 05	-

(1) Category 5 of the EIA/TIA-568 international wiring-standard, class D of IEC 11801/EN50173 approved cables. Add the letter U to the end of the reference for CSA 22.1, NFPA 70 and UL approved cables.

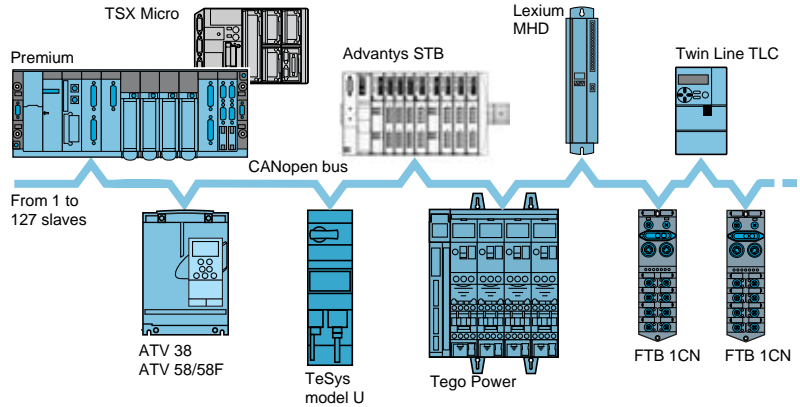
(2) For example, a TSX Series 7 PLC equipped with a TSX ETH 107 Ethernet module.

# Modicon TSX Micro automation platform

## CANopen machine bus

### Presentation

Originally used in the automotive industry, CAN is increasingly used in general industry. Several fieldbuses based on CAN lower layers and components are available. The CANopen machine bus conforms to the ISO 11898 international standard, promoted by the CAN In Automation association, which consists of users and manufacturers and offers an excellent assurance of open access and interoperability due to its standardised devices and communication profiles.



The CANopen bus is a multimaster bus which ensures reliable deterministic access to realtime data in control system devices. The CSMA/CA protocol is based on broadcast exchanges, sent cyclically or on an event, which ensures optimum use of the passband. A message handling channel can also be used to define slave parameters.

The bus uses a double shielded twisted pair, on which 127 devices maximum are connected by daisy chaining. The variable data rate between 20 Kbps and 1 Mbps depends on the length of the bus (between 30 and 5000 m). Each end of the bus must be fitted with a line terminator.

The CANopen bus is a set of profiles on CAN systems, possessing the following characteristics:

- Open bus system.
- Data exchanges in real-time without overloading the protocol.
- Modular design allowing modification of size.
- Interconnection and interchangeability of devices.
- Standardised configuration of networks.
- Access to all device parameters.
- Synchronisation and circulation of data from cyclic and/or event-controlled processes (short system response time).
- Interoperability between numerous international manufacturers.



TeSys model U



Advantys FTB



Altivar ATV 31



Twin Line TLC

Example of connectable devices on the CANopen bus

### Connectable devices

The TSX CPP 110 module performs the role of the master on the CANopen bus, and other Telemecanique devices (slaves) which can be connected on the bus are:

- TeSys model U starter-controllers.
- TeSys model d using the Tego Power installation assistance system.
- Advantys STB distributed I/O.
- Advantys FTB, IP 67 monobloc I/O splitter boxes.
- Advantys FTM, IP 67 modular I/O splitter boxes.
- Altivar 31, variable speed drives for asynchronous motors 0.18...15 kW.
- Altivar 58, variable speed drives for asynchronous motors 0.37...75 kW.
- Altivar 58F, variable speed drives with flux vector control for asynchronous motors 0.75...55 kW.
- Twin Line TLC servodrives for brushless motors 3...16 A.
- Lexium MHDA servodrives for brushless motors 1.5...70 A.

Are also compatible:

- Any third-party device which conforms to the CANopen standard profile.
- Any CAN device which uses CAN V2.0B identifiers on the ISO 11898 physical layer.

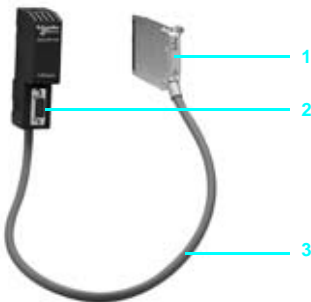
The TSX CPP 110 PCMCIA card supports the V4.02 CANopen standard with in particular the heartbeat network management.

### Description

The Modicon TSX Micro/Premium platforms connect to the CANopen bus by means of the TSX CPP 110 type III PCMCIA card inserted in the processor or coprocessor communication port slot.

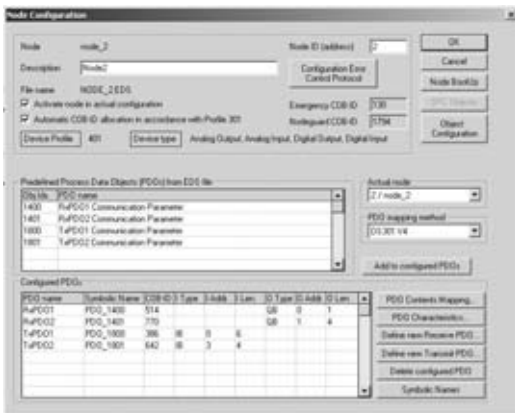
The TSX CPP 110 machine bus CANopen set comprises:

- 1 A PCMCIA card, type III with fixing screws.
- 2 A tap junction equipped with one 9-way SUB-D connector for connecting the CANopen bus.
- 3 A connection cable length 0.5 m, interdependent of the PCMCIA card and the tap junction.



TSX CPP 110

### Software setup



Example of SyCon configuration devices screen

The CANopen bus is configured using dedicated SyCon (1) software, which should be ordered separately, reference SYS SPU LF● CD28M.

This software is used:

- To describe all devices connected on the bus.
- To generate the “.CO” file including the informations relating to the devices connected. This extension file is imported into the PLC application via the PL7 Micro/Junior/Pro programming software.

If the configuration file is too large in relation to the TSX Micro/Premium processor capacity (see characteristics table), it is possible to load the master configuration directly by inserting the TSX CPP 110 card in a PCMCIA port (type III) on the PC on which SyCon software has been installed.

In PL7, it is possible to configure the CANopen bus card so that the PLC processor/TSX CPP 110 card exchanges are executed at the same rate as the master task or the fast task.

The process data exchanged with the slaves can be accessed by %MW standard words, the number of which depends on the type of processor and the task in which the module has been declared. PL7 standard function blocks are used to define the device parameters.

**Nota :** In addition to supporting the CANopen protocol which uses V2.0A standard CAN identifiers on 11 bits, the card enables direct access to the CAN link layer via CAN V2.0B identifiers on 29 bits, used by the majority of CAN devices. In certain applications this enables simultaneous control of CANopen devices and dedicated CAN products.

(1) The SyCon field bus configurator software also makes it possible to describe the I/O configuration of Profibus DP bus for Modicon Premium and Modicon Quantum platforms and the I/O configuration of INTERBUS bus for Modicon Quantum platform.

### Characteristics

Type of bus		CANopen								
Structure	Type	Industrial bus								
	Physical interface	ISO 11898								
	Topology	Devices linked by daisy-chaining								
	Access method	CSMA/CA, multimaster, producer/consumer, priority information								
Transmission	Data rate	20 Kbit/s...1 Mbit/s depending on the length of bus								
	Medium	Double shielded twisted pair								
Physical configuration	Number of devices	127 max.								
	Length of bus according to data rate	m	1 Mbit/s	800 Kbit/s	500 Kbit/s	250 Kbit/s	125 Kbit/s	50 Kbit/s	20 Kbit/s	
			20	45	100	250	500	1000	2500	
	Segments	Number	5 maxi (4 repeaters)							
			No. of devices per segment	64 devices		32 devices		16 devices		
Max. length of segment			m	170	190	210				
Equivalent length of a repeater	m	15								
Software configuration		Micro TSX 37 21 001/101 22 001/101				Premium TSX P57 and Atrium T PCX 57 103 M    2●3M/2●23M    3●3M/363M    453M/4823M				
Size of configuration data (1)	Ko	0...8								
		Max. size of CANopen I/O data	Master task	words	256 %MW	384 %MW	512 %MW	1024 %MW	3584 %MW	
				Fast task	words	32 %MW	48 %MW	64 %MW	128 %MW	256 %MW

(1) This size can be exceeded if the configuration is loaded in the memory of CANopen PCMCIA card via the SyCon software.

4

2



# Modicon TSX Micro automation platform

## CANopen machine bus



TSX CPP 110

### References

#### CANopen machine bus set

Description	Services	No. of module per PLC/PC	Use	Reference	Weight kg
<b>CANopen master V4.02 PCMCIA card</b> (type III)	- PDO cyclic exchanges - CMS message handling (SDO) - management of bus operating modes	1 on Micro TSX 37 21/22 1 on Premium TSX P57 (1) 1 on Atrium	Supplied with a tap junction and cable length 0.5 m	<b>TSX CPP 110</b>	0.230

#### Sycon configuration softwares

The SyCon software is the configurator for machine bus and field bus of Telemecanique.

It supports the buses:

- CANopen for TSX Micro et Premium platforms.
- Profibus DP for Premium et Quantum platforms.
- INTERBUS for Quantum platform.

The SyCon tool includes also the device description for Telemecanique I/O modules.

Description	Type	Reference	Weight kg
<b>SyCon V2.8 configuration software licenses</b> (2)	Single (1station)	<b>SYS SPU LFU CD28M</b>	-
	Group (3 stations)	<b>SYS SPU LFG CD28M</b>	-
	Team (10 stations)	<b>SYS SPU LFT CD28M</b>	-
	Site (up to 10 stations)	<b>SYS SPU LFF CD28M</b>	-
<b>SyCon V2.8 configuration software update</b>	Single (1station)	<b>SYS SPU LRU CD28M</b>	-
<b>SyCon V2.8 configuration software upgrade for previous version</b>	Group (3 stations)	<b>SYS SPU LUG CD28M</b>	-
	Team (10 stations)	<b>SYS SPU LUT CD28M</b>	-
	Site (up to 10 stations)	<b>SYS SPU LUF CD28M</b>	-

(1) Unauthorized on TSX P57 153M Premium processor.

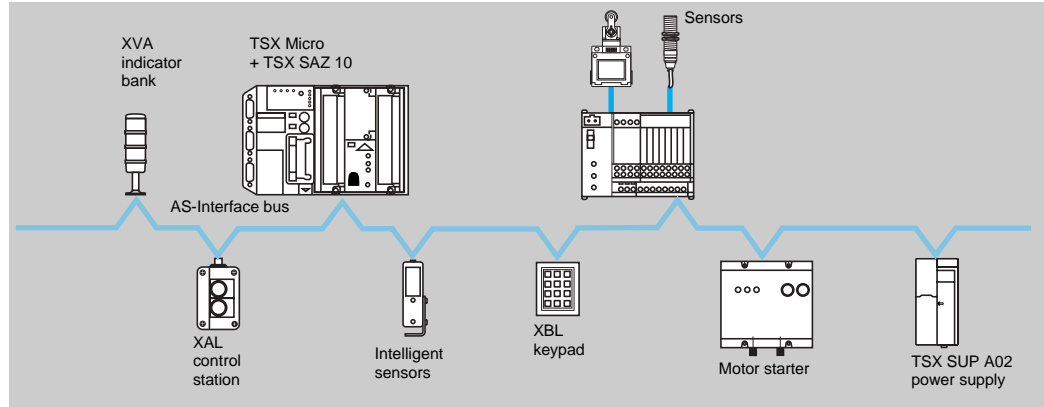
(2) A software kit of single type (1 station) including PL7 Micro et Sycon softwares is also available, see page 5/18.

# Modicon TSX Micro automation platform

## TSX SAZ master module for AS-Interface bus

### Presentation

The TSX SAZ 10 AS-Interface bus module enables the TSX Micro PLC to act as the AS-Interface bus master. In this way up to 31 sensor/actuator type devices may be managed on the one AS-Interface bus. Up to 4 inputs and/or outputs can be connected to each device, giving a maximum of 248 I/O on one segment.



The AS-Interface bus comprises a master station (TSX Micro PLC) and slave stations. The TSX SAZ 10 module supports the AS-Interface M2 profile, interrogates the device connected on the AS-Interface bus in turn and stores the data (state of sensors/actuators, operational status of devices) in the PLC memory. Communication management on the AS-Interface bus is completely transparent with regard to the PLC application program.

An AS-Interface power supply for bus must be used for powering the various components on the AS-Interface bus. Ideally this PSU should be situated nearest to the stations with the largest current demands.

See page 2/51, Phaseo power supplies.

### Description

The TSX SAZ 10 AS-Interface bus master is a half-format module designed to slot into the basic configurations of TSX 37 10/21/22 TSX Micro PLCs, in position 4 (one TSX SAZ 10 module per configuration) (1).

The front panel comprises:

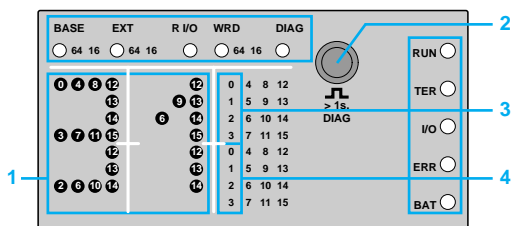
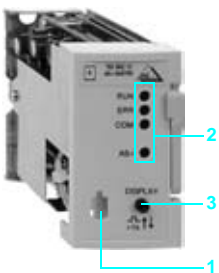
- 1 An opening with locating device for routing AS-Interface bus ribbon or round cable (to be connected to a terminal block inside the module).
- 2 Four indicator lamps:
  - RUN: the module is active,
  - ERR: module fault or bus connection fault,
  - COM: AS-Interface bus communication is active,
  - AS-Interface: bus configuration error.
- 3 A pushbutton to transfer the AS-Interface bus display to the PLC front panel.

### Diagnostics

The TSX Micro PLC centralised display block enables the display of the status of all the I/O channels, and the diagnostics for devices on the AS-Interface bus (present, missing, faulty, not conforming to the configuration):

- 1 Device number.
- 2 Control pushbutton for accessing the various operating modes of the display block.
- 3 State of the 4 device inputs.
- 4 State of the 4 device outputs.

(1) When the TSX SAZ 10 module is in position 4, the upper position 3 can only receive a TSX A●Z ●●●● analogue or TSX CTZ ●●● counter half-format module.



4

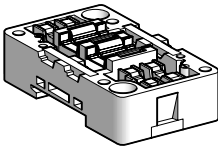
1.2

# Modicon TSX Micro automation platform

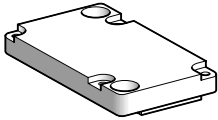
## TSX SAZ master module for AS-Interface bus



TSX SAZ 10



XZ SDE11●3



XZ SDP



XZ CB1●●0●

### References

#### AS-Interface bus module

Description	Protocol	Number of I/O	Reference	Weight kg
AS-Interface bus master module for TSX 37 10/21/22 PLCs	AS-Interface V1	31 devices, thus 248 I/O maximum	TSX SAZ 10	0.180

#### Connection accessories

Description	Connection to cable	Type and number of connectable cables	Reference	Weight kg
Connection modules for ribbon cable	Via vampire clip	2 ribbon cables for AS-Interface bus (yellow)	XZ SDE1113	0.070
		2 ribbon cables: - 1 for AS-Interface bus (yellow) - 1 for separate supply (black)	XZ SDE1133	0.070
Cover for connection – module		–	XZ SDP	0.030

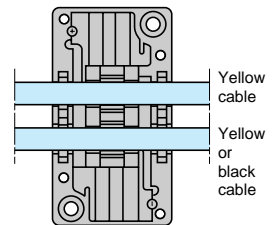
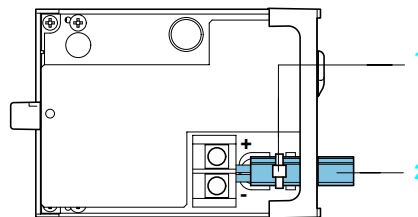
Description	Supply	Length	Reference	Weight kg
Ribbon cables for AS-Interface bus	For AS-Interface bus (yellow)	20 m	XZ CB10201	1.400
		50 m	XZ CB10501	3.500
		100 m	XZ CB11001	7.000

**Other AS-Interface accessories** – Please consult our “AS-Interface cabling system” catalogue

### Connections

TSX SAZ 10 module

XZ SDE11●3



- 1 AS-Interface cable locking collar.
- 2 AS-Interface bus cable (ribbon with locating device or round) (+ brown, - blue).

# Modicon TSX Micro automation platform

## Master modules for AS-Interface bus

### Software setup

The AS-Interface bus is configured using PL7 Micro/Junior/Pro software. The services offered are based on the principle of simplicity:

- Management of profile tables, parameters and data by the master (this management is transparent to the user).
- Topological I/O addressing: each AS-Interface slave declared on the bus is assigned a topological address on the bus. This is transparent to the user.
- Each sensor/actuator for the AS-Interface bus interfaces is treated as an in-rack I/O by the TSX Micro/Premium PLC.

### AS-Interface bus configuration

All devices on the AS-Interface bus are configured implicitly using the following sequence of screens:

#### ■ Declaration of the AS-Interface bus master module

- The TSX SAZ 10 module is always inserted and declared in position no. 4 on TSX 37 10/21/22 TSX Micro automation platforms.
- TSX SAY 100/1000 modules can be inserted into any position on TSX/PCX 57 Premium automation platforms (except positions reserved for processors and power supplies).

#### ■ Configuration of AS-Interface slave devices

Using the configuration screen, it is possible to configure all the slave devices corresponding to all interface I/Os on the AS-Interface bus. Depending on its type, the configuration for each device consists of defining, as appropriate:

- Schneider Electric AS-Interface devices.  
The user selects the AS-Interface device catalog reference from the various discrete, analog, or safety interfaces listed. This selection automatically determines the AS-Interface profile and the parameters associated with each interface.
- Third-party AS-Interface device.  
The user can use PL7 Micro/Junior software to manage a "customized" list of sensors/actuators of different brands. This list, specifying the AS-Interface profile and parameters, is compiled to meet the needs of the user.

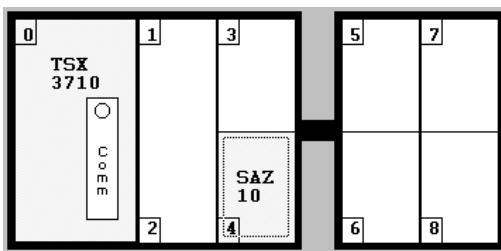
### Programming

After configuration, the I/Os connected on the AS-Interface bus are processed by the application program in the same way as an in-rack I/O of the PLC, using either the address (e.g. %I4.0\16.2, input 2 of slave 16 of the AS-Interface bus), or the associated symbol (e.g. Start\_conveyor).

PL7 Junior/Pro software has an integrated function block library containing the specific diagnostic DFBs for AS-Interface bus. Its check for the appearance of any error on the AS-Interface (bus or slaves).

4

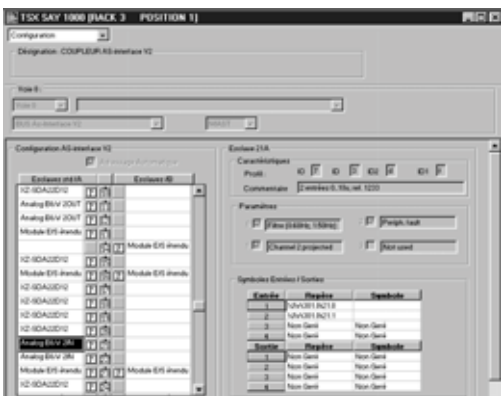
1.2



Declaration of the TSX SAZ 10 TSX Micro module



Configuration of slave devices for TSX SAY 100



Configuration of slave devices in TSX SAY 1000

### Diagnostics



Diagnostics of the TSX SAY 100 module using PL7



Diagnostics of the TSX SAY 1000 module using PL7

Diagnostics performed using the centralized display unit of the TSX Micro platform or using the display unit of TSX SAY 100/1000 modules can be completed using a PC terminal on which PL7 Micro/Junior/Pro software has been installed.

The terminal connected to the TSX Micro/Premium PLC is used to perform diagnostics of the operating state of the AS-Interface V1 TSX SAZ 10 and TSX SAY 100 master modules, the bus and the slave devices on the bus.

For the AS-Interface V2 TSX SAY 1000 master module, the diagnostics are identical to those of the AS-Interface V1 module, and in addition, take into account developments in the M2E standard.

Diagnostics are performed using a single screen divided into four sections providing information on:

- 1 Status of the TSX SAZ 10 or TSX SAY 100/1000 module (RUN, ERR, I/O).
- 2 Status of the AS-Interface channel connected to the module.
- 3 Faulty interface (or slave).
- 4 Data relating to any selected interface (profile, parameters, forcing, etc).

In the event of an AS-Interface module or channel fault, a second screen can be accessed, which clearly shows the type of fault, which may be at internal or external level.

4

4.2

### Characteristics

Type of module		TSX SAZ 10	TSX SAY 100	TSX SAY 1000
AS-Interface profile		M2(AS-Interface V1)		M2E (AS-Interface V2)
Type of addressing		Standard		Standard and extended
Product certification		AS-Interface No. 12001, IEC 61131 2	AS-Interface No. 18801, IEC 61131 2	Pending
Ambient air temperature	Operation	0...+60 °C.		
	Storage	-25...+70 °C.		
Degree of protection		IP 20		
Vibration resistance		Conforming to IEC 68 2 6. Fc tests.		
Shock resistance		Conforming to IEC 68 2 27. EA tests.		
Number of connectable interfaces (or slaves)	With standard addressing	31 slaves		
	With extended addressing	-		31 slaves
Type of connectable interfaces	With standard addressing	Discrete I/Os (4I/4O)		Discrete I/Os (4I/4O) (1) Analog I/Os (a maximum of 4 channels) Safety interfaces
	With extended addressing	-		Discrete I/Os (4I/3O)
Bus connection		By terminal block inside module (polarity locating device)	By 3-way SUB-D connector (included with the module)	
Module power supply		Via power supply integrated into the host platform of the module		
Display/diagnostics		Via: <input type="checkbox"/> centralized display unit on TSX Micro PLC or via the display unit of TSX SAY 100/1000 modules <input type="checkbox"/> use of the PL7 Micro/Junior/Pro software diagnostics function <input type="checkbox"/> use of the ASI-TERV1 adjustment console (infrared link)		

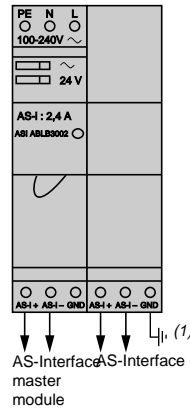
(1) If the interfaces are connected using extended addressing, the type of discrete I/Os is 4I/3O (instead of 4I/4O).

# Modicon TSX Micro automation platform

## Phaseo regulated switch mode power supplies for AS-Interface

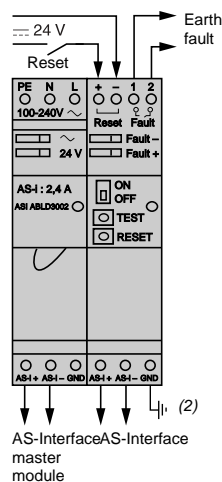
### Power supplies for AS-Interface

Consistent with the standard Phaseo line, the range of ASI ABL power supplies is designed to deliver a d.c. voltage, as required by networks operating under the AS-Interface protocol. Three versions are available to meet all needs encountered in industrial applications, in enclosures, cells or floor-standing enclosures. These single-phase, electronic, switch mode power supplies guarantee the quality of the output current, in accordance with the electrical characteristics and conforming to standard EN 50295.



#### ■ ASI ABLB300●

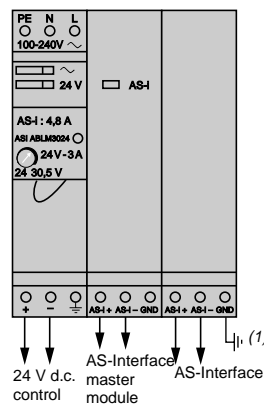
Operating on a 100 to 240 V a.c. supply, this power supply delivers a voltage of 24 V d.c. Available in 2.4 and 4.8 A ratings, the parallel output terminal blocks allow the bus to be connected separately to the slaves and the master. Input and output LEDs allow fast and continuous diagnostics.



#### ■ ASI ABLD300●

Operating on a 100 to 240 V a.c. supply, this power supply delivers a voltage of 30 V d.c. Available in 2.4 and 4.8 A ratings, it allows diagnosis and management of earth faults on AS-Interface networks. In the event of an earth fault, the Phaseo power supply trips out, thus stopping dialogue on the bus. Restarting is only possible after deliberate acknowledgement of the fault. Two I/O are provided, which may be used to monitor status. The parallel output terminal blocks are used to connect the bus separately to the slaves and the AS-Interface master. Input, output and fault LED's allow fast and continuous diagnostics.

**Warning:** the earth (GND) (2) connection must be made. In the event of disconnection, the built-in detector becomes inoperative. To obtain earth connection diagnostics, it is recommended that an ASI ABLB300● power supply be used together with insulation relay RMO PAS 101.



#### ■ ASI ABLM3024

Operating on a 100 to 240 V a.c. supply, this product delivers two d.c. outputs which are totally independent in the way they operate.

Two output voltages - 30 V d.c./2.4 A (AS-Interface supply) and 24 V d.c./3 A - are available, so making it possible to supply the control equipment without an additional power supply. Input and output LEDs allow fast and continuous diagnostics.

(1) Recommended connection.

(2) Compulsory connection.

# Modicon TSX Micro automation platform

Phaseo regulated switch mode power supplies for AS-Interface

## Technical characteristics

Type of power supply		ASI ABLB3002	ASI ABLB3004	ASI ABLD3002	ASI ABLD3004	ASI ABLM3024	
Functions		Supply to the AS-Interface system					24 V $\overline{\text{---}}$ supply
Product certifications		UL 508, CSA 22-2 n° 950					
Conforming to standards	Safety	EN 60950, TÜV					
	EMC	EN 50081-1, IEC 61000-6-2, EN 55022 class B					
	Low frequency harmonic currents	No					

## Input circuit

LED indication		Orange LED					
Input voltage	Rated values	V	$\sim 100\dots 240$				
	Permissible values	V	$\sim 85\dots 264$				
	Permissible frequencies	Hz	47...63				
	Efficiency at nominal load	%	> 83				> 80
	Current consumption		0.5	1	0.5	1	
	Current at switch-on	A	< 30				
	Power factor		> 0.65				

## Output circuit

LED indication		Green LED						
Nominal output voltage		V	$\overline{\text{---}}$ 30 (AS-Interface)				$\overline{\text{---}}$ 24	
Nominal output current		A	2.4	4.8	2.4	4.8	2.4	3
Precision	Adjustable output voltage	V	-					100 to 120 %
	Line and load regulation		3 %					
	Residual ripple - interference	mV	300 - 50					
Micro-breaks	Holding time for I max and Ve min	ms	10					
Protection	Short-circuit		Permanent/automatic restart after elimination of the fault					
	Overload		1.1 In					
	Overvoltage		Tripping if $U > 1.2 U_n$					$U > 1.5 U_n$
	Undervoltage		Tripping if $U < 0.95 U_n$					$U < 0.8 U_n$

## Operating characteristics

Connections	Input	mm <sup>2</sup>	2 x 2.5 screw terminals + earth				
	Output	mm <sup>2</sup>	2 x 2.5 screw terminals + earth, multiple output				
Environment	Storage temperature	°C	- 25 to + 70				
	Operating temperature	°C	0 to + 60 (derating from 50)				
	Maximum relative humidity		95 % (without condensation or dripping water)				
	Degree of protection		IP 20 (conforming to IEC 529)				
	Vibration		EN 61131-2				
Operating position		Vertical					
MTBF		h	> 100000 (conforming to Bell core, at 40 °C)				
Dielectric strength	Input/output		3000 V/50 Hz/1 mm				
	Input/earth		3000 V/50 Hz/1 mm				
	Output/earth (and input/output)		500 V/50 Hz/1 mm				
Input fuse incorporated		Yes (not interchangeable)					
Emissions	Conducted/radiated		Class B (conforming to EN 55022)				
Immunity	Electrostatic discharge		EN 61000-4-2 (4 kV contact/8 kV air)				
	Electromagnetic		EN 61000-4-3 level 3 (10 V/m)				
	Conducted interference		EN 61000-4-4 level 3 (2 kV), EN 61000-4-6 (10 V)				
	Mains interference		EN 61000-4-11				

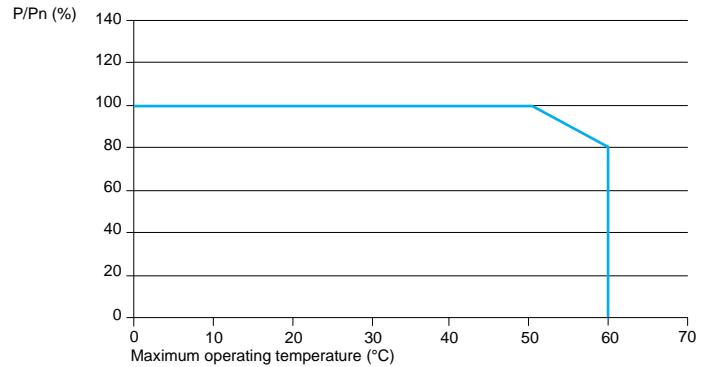
# Modicon TSX Micro automation platform

Phaseo regulated switch mode power supplies  
for AS-Interface

## Output characteristics

### Derating

The ambient temperature is a determining factor which limits the power that an electronic power supply can deliver continuously. If the temperature around the electronic components is too high, their life will be significantly reduced. The graph below shows the power (in relation to the nominal power) which the power supply can deliver continuously, according to the ambient temperature.



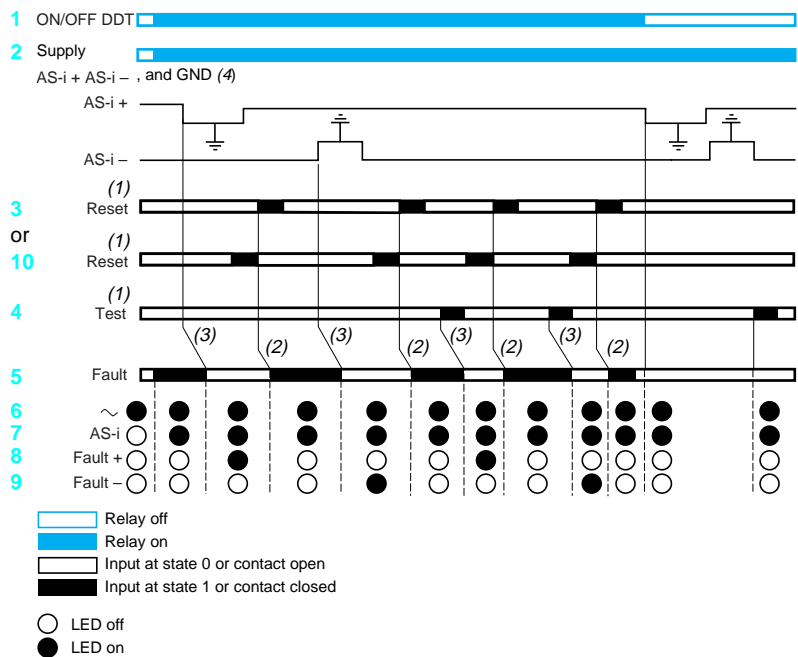
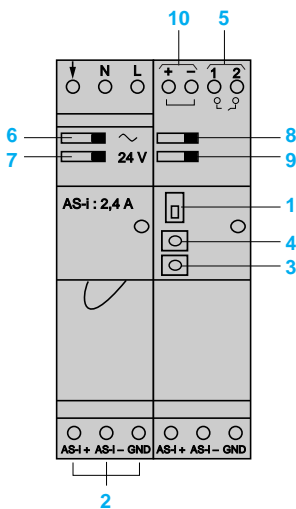
## Selection

### Upstream protection of power supplies for use on the AS-Interface system

Mains supply	~ 115 V single-phase		~ 230 V single-phase		
	Type of protection	Thermal-magnetic circuit-breaker	Gg fuse	Thermal-magnetic circuit-breaker	Gg fuse
Single-pole		GB2 CB●●			
2-pole		GB2 DB●●	C60N	GB2 DB●●	C60N
ASI ABLB3002		GB2 ●B07	MG24517 (1) 2 A	GB2 DB06	MG24516 (1) 2 A
ASI ABLB3004		GB2 ●B08	MG24518 (1) 4 A	GB2 DB07	MG17453 (1) 2 A
ASI ABLD3002		GB2 ●B07	MG24517 (1) 2 A	GB2 DB06	MG24516 (1) 2 A
ASI ABLD3004		GB2 ●B08	MG24518 (1) 4 A	GB2 DB07	MG17453 (1) 2 A
ASI ABLM3024		GB2 ●B07	MG24517 (1) 2 A	GB2 DB06	MG17453 (1) 2 A

(1) UL certified circuit-breaker.

## Function diagram



(1) 30 ms min.

(2) 15 ms.

(3) 20 ms.

(4) Warning: the earth fault detector will only operate if the earth (GND) terminal is connected.



# Modicon TSX Micro automation platform

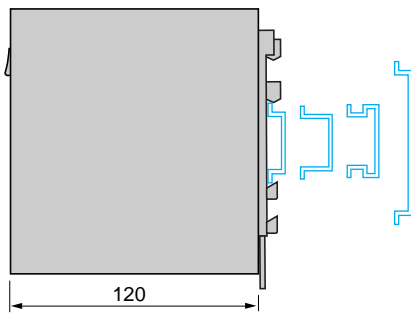
Phaseo regulated switch mode power supplies for AS-Interface

## ASI ABL regulated switch mode power supplies

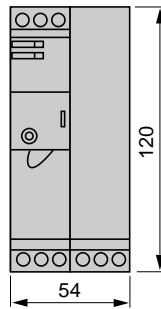
Mains input voltage 47...63 Hz	Output voltage	Nominal power	Nominal current	Auto-protect reset	Earth fault detection	Reference	Weight
V	V	W	A				kg
100...240 single-phase wide range	30	72	2.4	auto	no	<b>ASI ABLB3002</b>	0.800
	145	145	4.8	auto	no	<b>ASI ABLB3004</b>	1.300
	72	72	2.4	auto	yes	<b>ASI ABLD3002</b>	0.800
	145	145	4.8	auto	yes	<b>ASI ABLD3004</b>	1.300
30 + 24	2 x 72	2 x 72	2.4 + 3	auto	no	<b>ASI ABLM3024</b>	1.300

## Dimensions

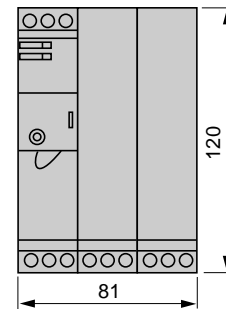
Common side view  
Mounting on 35 and 75 mm rails



**ASI ABLB3002**  
**ASI ABLD3002**

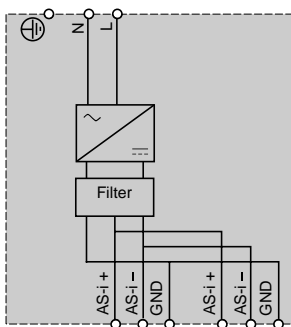


**ASI ABLM3024**  
**ASI ABL3004**

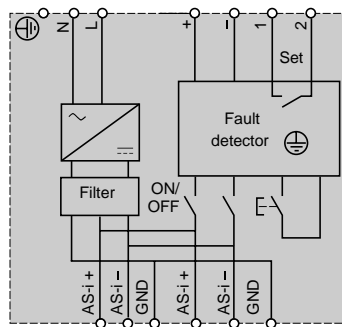


## Schemes

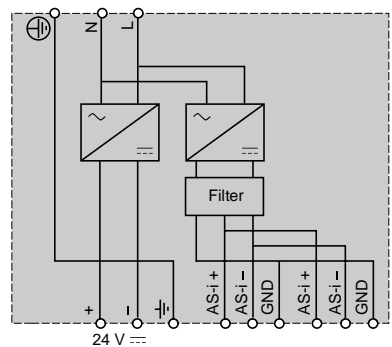
**ASI ABLB300●**



**ASI ABLD300●**



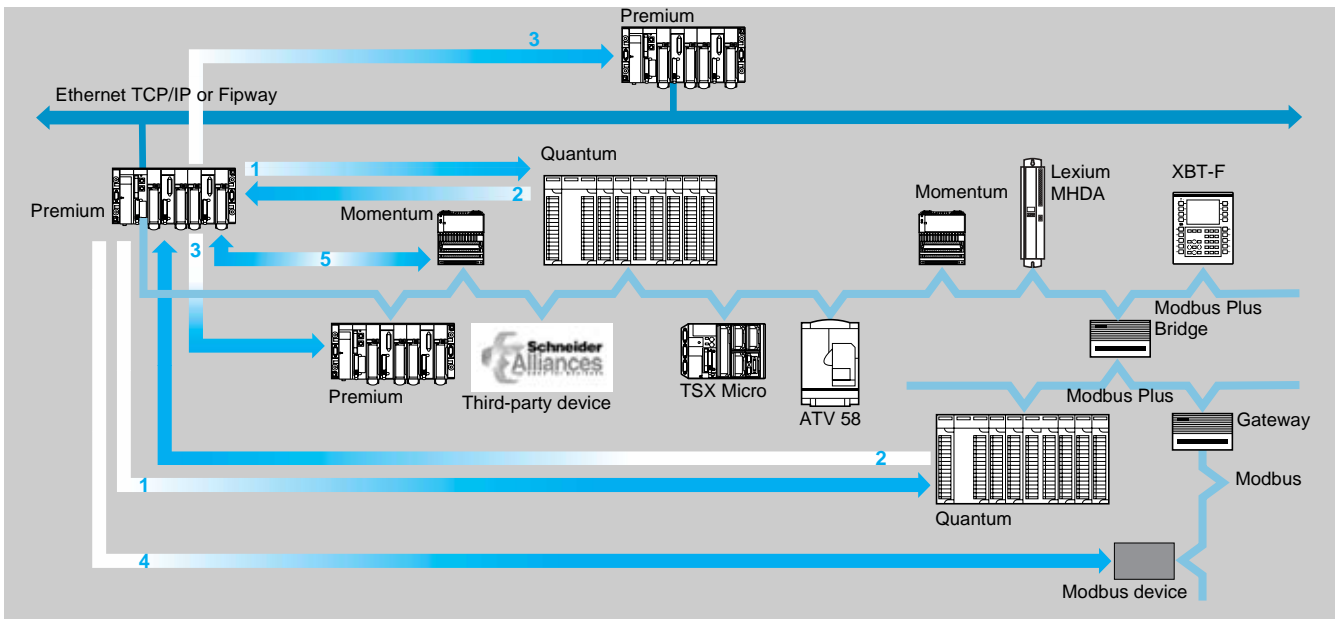
**ASI ABLM3024**



# Modicon TSX Micro automation platform

## Modbus Plus network

Presentation



4

The Modbus Plus network is a high-performance industrial local network which can respond to Client/Server type extended architectures, combining a high data rate (1 Mbit/s), simple and economical transmission support and several message handling services.

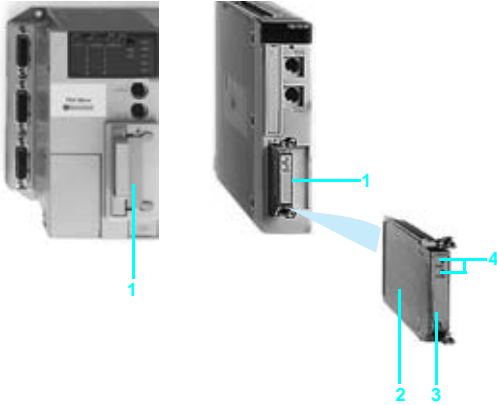
The main data exchange functions between all devices connected to the network are:

- The message exchange function according to the Modbus protocol.
- The “global database” function (Shared Table service, periodic, controlled by the application: a station with the token can send 32 words to a maximum of 63 other stations connected on the network).

- 1 The Premium (or TSX Micro) client communicates with the Quantum server on the Modbus Plus network via function block (communication function).
- 2 The Quantum client communicates with the Premium server on the Modbus Plus network via MSTR function blocks.
- 3 A Premium (or TSX Micro) client connected to the Ethernet TCP/IP or Fipway network can communicate in read/write mode with a Modbus Plus station (the Premium PLC therefore acts as a gateway).
- 4 A Premium (or TSX Micro) client connected to the Modbus Plus network can access a remote station via the Modbus Plus/Modbus gateway.
- 5 A Premium client connected to the Modbus Plus network can make exchanges with the Momentum distributed inputs/outputs via the Peer cop function.

1.3

### Description



The type III TSX MBP 100 card is used to connect the Premium/TSX Micro PLCs and Atrium coprocessor to the Modbus Plus network. This card is installed in the slot reserved for processors or coprocessors:

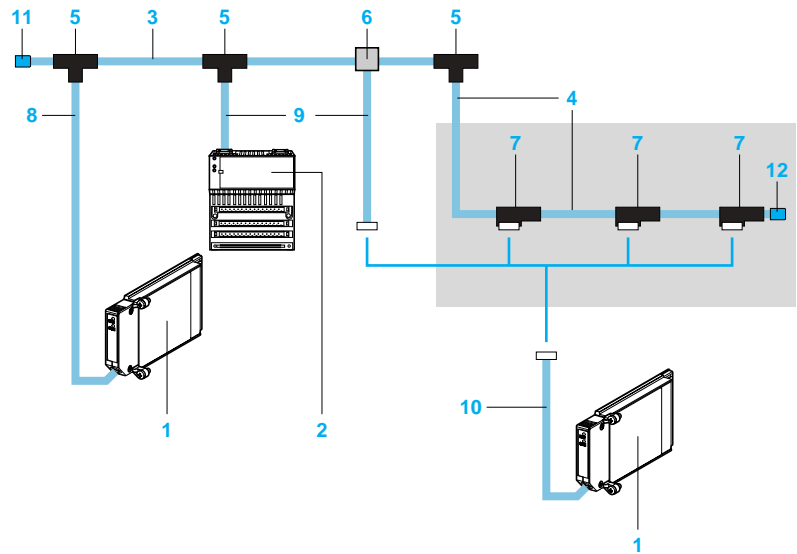
- 1 A host slot on processors or coprocessors.
- 2 A protective cover.
- 3 A removable cover with fixing screw (access to 20-way miniature connector).
- 4 Two indicator lamps:
  - ERR: card or link fault,
  - COM: activity on the line.

Connectors to be ordered separately:  
 TSX MBP CE 0●● drop cables.

### Characteristics

<b>Structure</b>	Type	Industrial bus
	Physical interface	RS 485
	Method of access	Token bus
<b>Transmission</b>	Mode	Synchronous HDLC
	Data rate	1 Mbit/s
	Medium	Twisted pair
<b>Configuration</b>	Number of devices	32 per segment, 64 maximum on all segments (1,800 m maximum)
	Number of addresses	64 devices maximum per segment
	Length of bus	450 m maximum per segment, 1,800 m maximum with 3 repeaters
	Number of segments	Cascaded: 5 maximum using Modbus Plus BP85 bridges
<b>Services</b>	Global database	- 4096 byte common database - cyclical exchange of 32 broadcast words
	"Peer to peer" dialogue	Read/write services (number of requests: 100 registers per transaction)
	Peer Cop	Cyclical exchange service (on Premium only): 500 words per station (broadcast or point-to-point)

### Wiring system



- 1 **TSX MBP 100**: Modbus Plus PCMCIA card, for type III processor slot on TSX Micro or Premium platforms.
- 2 **170 PNT 110 20**: communication module for Momentum I/O base unit.
- 3 **490 NAA 271 0●**: trunk cable, shielded twisted pair with shielding drain (flying leads). In lengths of 30, 150, 300, 450 or 1,500 m.
- 4 **170 MCI 020/021 ●●**: drop cable equipped at each end with an RJ45 connector (baseT interface). In lengths of 0.25, 0.75, 3 or 10 m.
- 5 **990 NAD 230 00**: IP 20 local site tap, provides a tap link from the trunk cable for connecting 1 device (connection of conductors requires wiring tool 043 509 383). Integrates the line terminal.
- 6 **990 NAD 230 10**: IP 65 zamac local site tap, provides a tap link from the trunk cable for connecting 1 device (screw terminal connection). It also has an RJ45 connector for connecting a programming and maintenance terminal.
- 7 **170 XTS 020 00**: IP 20 tee, provides a tap link from the Modbus Plus cable (cable with connectors at each end of an RJ45 connector). It has a 9-way SUB-D female connector for connecting the device.
- 8 **TSX MBP CE 030/060**: drop cable for Modbus Plus PCMCIA card, equipped on the PCMCIA side with a 20-way miniature connector and with flying leads on the 990 NAD 230 00/010 local site tap side. In lengths of 3 or 6 m.
- 9 **990 NAD 211 10/30**: drop cable equipped on the device side with a 9-way SUB-D male connector and with flying leads on the 990 NAD 230 00/010 local site tap side. In lengths of 2, 4 or 6 m.
- 10 **TSX MBP CE 002**: drop cable for Modbus Plus PCMCIA card, equipped on the PCMCIA side with a 20-way miniature connector and on the network side with a 9-way SUB-D female connector. Can be used as an extension for cable 990 NAD 211 10/30. In lengths of 0.2 m.
- 11 **AS MBKT 185**: set of 2 line terminators (impedance adapter) to be placed at each end of the segment. The AS MBKT 185 terminators are placed directly at the end of the cable (without a tap or tee).  
**990 NAD 230 11**: set of 2 line terminators (impedance adapter) for IP 65 local site tap 990 NAD 230 10, to be placed at each end of the segment.
- 12 **170 XTS 021 00**: set of 2 line terminators (impedance adapter) for tee 170 XTS 020 00, to be placed at each end of the segment.

For wiring system:

- Quantum platform: please refer to our catalog.
- Lexium drive for brushless motors: please refer to our catalog "Lexium movement command".
- Altivar drive for asynchronous motors: please refer to our catalog "Progressive starters and speed controllers".

# Modicon TSX Micro automation platform

## Modbus Plus network

## Reference



TSX MBP 100



170 PNT 110 20

Description	Number per PLC Use	Addr.	Composition	Reference	Weight kg
<b>Modbus Plus PCMCIA card</b>	1 with TSX Micro Type III slot on: TSX 37 21/22 PLC 1 with Premium processor Premium/Atrium TSX 57 10/20/30/40 Atrium T PCX 57 20/30 coprocessor	1	1 PCMCIA type III card	<b>TSX MBP 100</b>	0.110

Description	Connection	Addr.	Reference (1)	Weight kg
<b>Communication module for Momentum I/O base units</b>	Modbus Plus network on Momentum I/O base units	2	<b>170 PNT 110 20</b>	0.110

## Connection accessories (1)

Description	Use	Mounting	Addr.	Reference	Weight kg
<b>Modbus Plus taps</b>	IP 20 tee, requires the wiring tool 043 509 283	–	5	<b>990 NAD 230 00</b>	0.230
	IP 20 tap for tap link connection (screw terminal connection), supports 1 RJ45 connector on front panel	DIN rail Mounting plate	6 6	<b>990 NAD 230 20</b> <b>990 NAD 230 21</b>	– –
	IP 65 tap for tap link connection (tee), supports 1 RJ45 connector on front panel		6	<b>990 NAD 230 10</b>	0.650
	IP 20 tee with 2 RJ45 connectors for Modbus Plus cable and 1 9-way SUB-D connector for tap link devices		7	<b>170 XTS 020 00</b>	0.260
<b>Line terminators (set of 2)</b>	2 impedance adapters for local site tap (IP 20) 990 NAD 230 00		11	<b>AS MBKT 185</b>	–
	2 impedance adapters for tap (IP 20) 990 NAD 230 20/21		11	<b>990 NAD 230 22</b>	–
	2 impedance adapters for local site tap (IP 65) 990 NAD 230 10		11	<b>990 NAD 230 11</b>	–
	2 impedance adapters for tee (IP 20) 170 XTS 020 00		12	<b>170 XTS 021 00</b>	–
<b>Mounting kit for IP 65 tee</b>	DIN rail mounting for 990 NAD 230 10 local site tap		–	<b>990 NAD 230 12</b>	–
<b>Protector pack</b>	Replacement port protectors to prevent ingress into the RJ45 quick connect programming port of 990 NAD 230 10 tap		Sold in lot of 4	<b>990 NAD 230 23</b>	–
<b>Wiring tool</b>	Mounting trunk and tap wires in the local site tap.		–	<b>043 509 383</b>	–

## Connection cables (1)

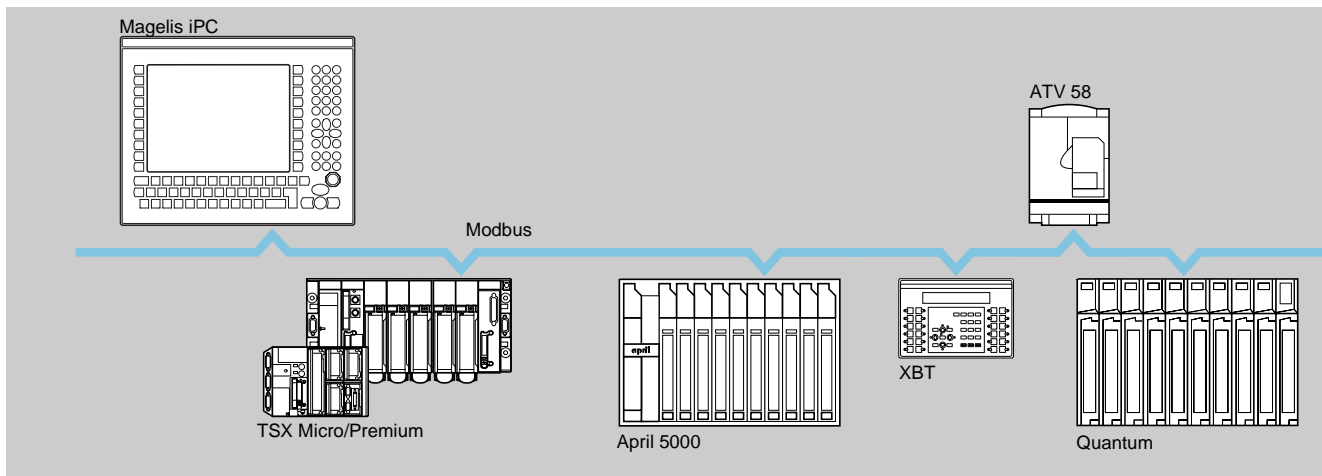
Description	Use		Addr.	Length	Reference	Weight kg	
	From	To					
<b>Modbus Plus trunk cables</b>	Local site tap	Local site tap	990 NAD 230 00/10	3	30 m	<b>490 NAA 271 01</b>	–
					150 m	<b>490 NAA 271 02</b>	–
					300 m	<b>490 NAA 271 03</b>	–
					450 m	<b>490 NAA 271 04</b>	–
					1,500 m	<b>490 NAA 271 06</b>	–
<b>Drop cables</b>	IP 20 170 XTS 020 00 tee	IP 20 170 XTS 020 00 tee	4	4	0.25 m	<b>170 MCI 020 10</b>	–
					1 m	<b>170 MCI 020 36</b>	–
					3 m	<b>170 MCI 021 20</b>	–
					10 m	<b>170 MCI 020 80</b>	–
	PCMCIA card TSX MBP 100 (miniature connector)	Drop cable with 9 way male SUB-D connector	10	10	0.2 m	<b>TSX MBP CE 002</b>	–
					3 m	<b>TSX MBP CE 030</b>	0.340
					6 m	<b>TSX MBP CE 060</b>	0.530
	Communication module for Momentum I/O base units	Local site tap 990 NAD 230 00/10	9	9	2.4 m	<b>990 NAD 211 10</b>	0.530
					6 m	<b>990 NAD 211 30</b>	0.530



TSX MBP CE 030/060

(1) For other Modbus Plus network connecting cables and accessories, please consult your Regional Sales Office.  
 (2) DIN rail mounting with the kit 990 NAD 230 12.

### Presentation



4

The Modbus bus is used for master/slave architectures (it is necessary, however, to check that the Modbus services used by the application are implemented on the devices concerned).

The bus comprises one master station and several slave stations. Only the master station can initiate the exchange (direct communication between slave stations is not possible). Two exchange mechanisms are possible:

- Question/answer, where the requests from the master are addressed to a given slave. The master then waits for the response from the slave which has been interrogated.
- Broadcasting, the master broadcasts a message to all the slave stations on the bus. These stations execute the order without transmitting a response.

### Description

1.3

The TSX Micro/Premium PLCs or Atrium coprocessors offer various Modbus bus connection possibilities.

#### Built-in links to the TSX Micro processor or to the TSX SCY 11601 Premium module

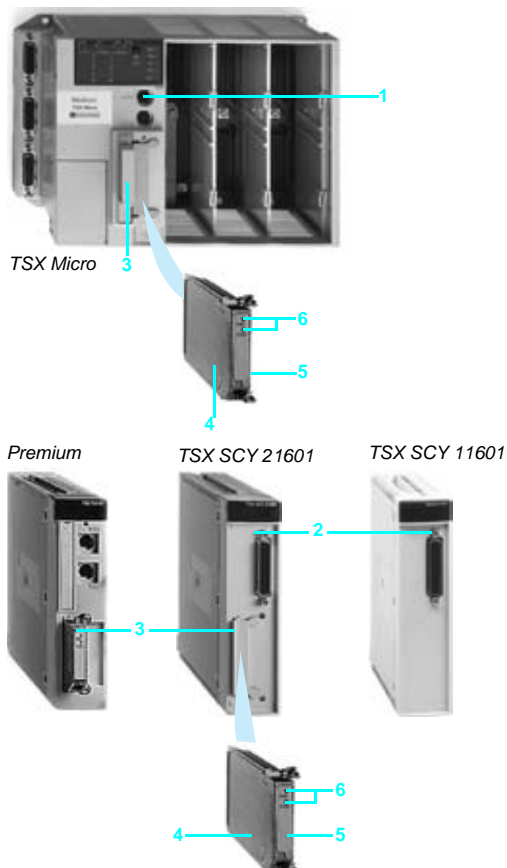
- 1 Via integrated port on the TSX Micro processor.  
The TER port (8-way mini DIN) has Modbus RTU master/slave (1) protocol.
- 2 Via integrated port on the TSX SCY 11601/21601 module for Premium PLCs.  
This module has an isolated Half-duplex RS 485 serial link channel (25-way SUB-D connector) with multiprotocol (including Modbus); (for the TSX SCY 11601 module, only the Modbus protocol is supported).

#### TSX SCP 11 multiprotocol PCMCIA cards

- 3 A slot on the TSX Micro/Premium processors, the Atrium coprocessor and the TSX SCY 21601 module (2) exists for the multiprotocol TSX SCP11 cards, including Modbus, featuring:
  - 4 A protective cover.
  - 5 A removable cover with fixing screws (to access a 20-way miniature connector).
  - 6 Two LEDs:
    - ERR lamp: card or link fault,
    - COM lamp: data transmission or reception.

Cable connector to be ordered separately: TSX SCP/SCY cable.

(1) Modbus RTU slave Protocol with TSX 37 05/08.  
(2) This slot is also designed for Fipway TSX FPP 20 or Jnet TSX JNP 112/114 PCMCIA network cards.



# Modicon TSX Micro automation platform

## Modbus Bus







Characteristics								
Physical Interface		TSX Micro terminal port		PCMCIA card		TSX SCY integrated port for integrated Premium RS 485		
		Non-isolated RS 485						
		TSX 37 05/08	TSX 37 10/21/22	Isolated RS 485 (1)	20 mA CL	Non-isolated RS 232D	TSX SCY 11601   TSX SCY 21601	
<b>Structure</b>	Type	Heterogeneous industrial bus						
	Method of access	Slave	Master/slave	Master/slave Type				
<b>Transmission</b>	Mode	Asynchronous in baseband						
	Frame	RTU		RTU/ASCII				
	Data rate	1.2...14.2 Kbps		0.6..19.2 Kbps (for <b>TSX SCP 111</b> ) 1.2... 19.2 Kbps (for <b>TSX SCP 112/114</b> )		1.2...19.2 Kbps		
	Medium	Double shielded twisted pair			Double shielded twisted pair, doubled	Quintuple shielded twisted pair	Double shielded twisted pair	
<b>Configuration</b>	Number of devices	28 max. in RS 485 Point-to-point in RS 422			16 max.	2 (point-to-point)	32	
	Max. number of link addresses	98	248	98		248		98
	Length of bus	10 m max. non isolated link 1,300 m max. on isolated link (2)		1,300 m excluding tap links	100 to 1,000 m according to rate	15 m max.	1,300 m excluding C	
	Tap links	-		15 m max.	-	-	15 m	
<b>Services</b>	Requests	Bits: 1,920 bits per request Words: 120 words per request						
	Security	One CRC 16 check parameter on each frame						
	Monitoring	No flow control			Diagnostic counters, event counters			
<b>Modbus functions available on Premium/TSX Micro PLCs or on Atrium coprocessor</b>	<b>Code</b>	<b>Modbus slave</b>			<b>Modbus master</b>			
	01	Read n output bits			Read bits			
	02	Read n input bits			Read input bits (3)			
	03	Read n output words			Read words			
	04	Read n input words			Read input words (3)			
	05	Write 1 output bit			Write 1 bit or n bits			
	06	Write 1 output word			Write 1 word or n words			
	07	Exceptional read status			Exceptional read status			
	08	Diagnostic			Diagnostic			
	0B	Event counter			Event counter			
	0C	Event connection			Event connection			
	0F	Write n output bits			-			
	10	Write n output words			-			
	11	Identification			Slave identification			
-	-			Other requests accessible via SEND_REQ generic function blocks				

(1) Point-to-point RS 422 compatible connection.

(2) For an isolated link, you must use the TSX P ACC 01 terminal port cable connector.

(3) Requests not available on TSX 37 10/21/22 terminal port.

### Modbus bus connection elements

	Description	Protocol	Physical layer	Reference	Weight kg
	<b>TSX Micro PLC integrated link (TER port)</b>	Modbus (RTU) Uni-Telway character mode	Non-isolated RS 485	Refer to our catalog "TSX Micro automation platform"	–
	<b>Communication module for Premium/Atrium</b>	Modbus Character mode Uni-Telway	- 1 RS 485 isolated integrated channel (channel 0), (1 to 97 slaves) - 1 slot for PCMCIA card (channel 1) (1)	<b>TSX SCY 21601</b>	0.360
		Modbus	1 RS 485 isolated integrated channel (channel 0), 1.2...19.2 Kbps (1 to 247 slaves)	<b>TSX SCY 11601</b>	0.340
	<b>PCMCIA cards type III for Premium processor, Atrium coprocessor, PLC TSX 37 21/22 or TSX SCY 21601 module</b>	Modbus Character mode Uni-Telway	RS 485 (RS 422 compatible) 1.2...19.2. Kbps	<b>TSX SCP 114</b>	0.105
			RS 232D (9 signals) 0.6...19.2. Kbps	<b>TSX SCP 111</b>	0.105
			20 mA CL 1.2...19.2. Kbps	<b>TSX SCP 112</b>	0.105

TSX Micro






TSX SCY 21601

TSX SCY 11601

TSX SCP 111

TSX SCP 112

### Modbus connection accessories

	Description	Use	Reference	Weight kg
	<b>Passive junction box</b>	Bus tap link and extension, line termination adaptation	<b>TSX SCA 50</b>	0.520
	<b>2 channel passive subscriber socket (2 or 4 wire) (2)</b>	Tap link of 2 devices with 2 wires Tap link of 1 master device and/or 1 slave device with 4 wires Fitted with 2 female 15-pin SUB-D connectors	<b>TSX SCA 64</b>	0.570
	<b>Active adapter RS 232C/RS 485</b>	Connection of an RS 232C device as RS 485 Isolation of signals and line termination adaptation	<b>TSX SCA 72</b>	0.520
	<b>TSX Micro PLC TER terminal port cable connector</b>	Bus tap link cable (2 or 4-wire) Isolation of Modbus signals Line termination adaptation Supplied with cable (length 1 m) fitted with a mini-DIN connector (TER port)	<b>TSX P ACC 01</b>	0.690
	<b>Line terminators (sold in lot of 2)</b>	2/4-wire cabling Can be connected to the front panel of the TSX SCA 64 subscriber socket	<b>TSX SCA 10</b>	0.030

(1) PCMCIA type III slot for 1 TSX SCP 111/112/114, TSX FPP 20 or TSX JNP 112/114 card.  
(2) 2 or 4 wire cabling, compatible with the TSX SCA 64 subscriber socket requires a max. 10 mm external diameter Modbus cable.



### Modbus connection cables

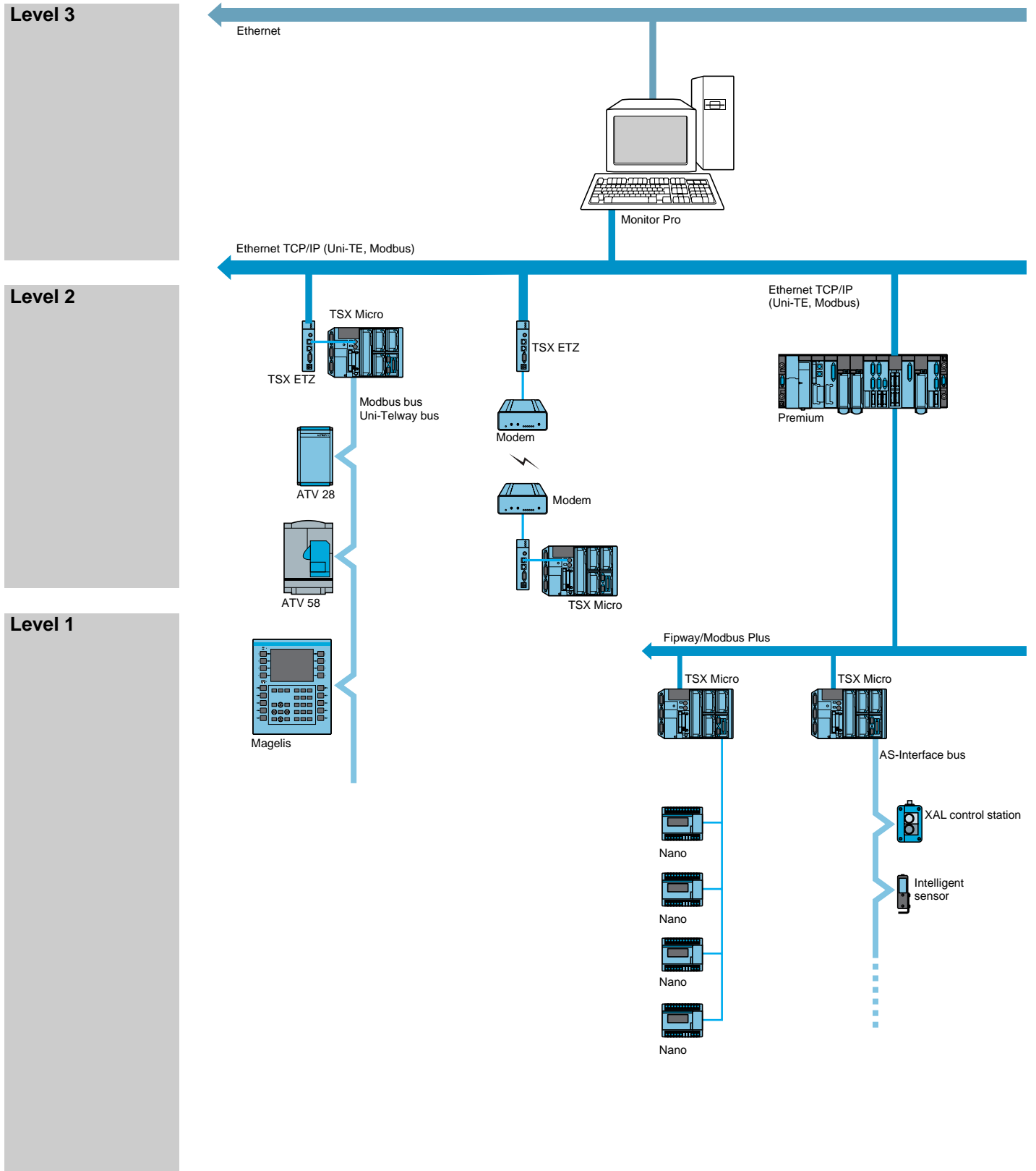
Description	Use	To	Length	Reference	Weight kg		
	From						
RS 485 double shielded twisted pair trunk cables	Modbus Bus	–	100 m	<b>TSX CSA 100</b>	5.680		
			200 m	<b>TSX CSA 200</b>	10.920		
			500 m	<b>TSX CSA 500</b>	30.000		
Cables for isolated RS 422/485 tap link	TSX SCP 114 card	TSX SCA 50 housing 2 wires (1)	3 m	<b>TSX SCP CM 4030</b>	0.160		
			TSX SCA 64 subscriber socket, 2/4 wires	3 m	<b>TSX SCP CM 4530</b>	0,180	
			Modbus standard device, 4 wires (1) (point-to-point)	3 m	<b>TSX SCP CX 4030</b>	0.160	
			Built-in channel (channel 0) Premium TSX SCY 11601, TSX SCY 21601 module	TSX SCA 50 housing, 2 wires (1)	3 m	<b>TSX SCY CM 6030</b>	0.160
				TSX SCA 64 subscriber socket, 2 wires	3 m	<b>TSX SCY CM 6530</b>	0.160
RS 232D tap link cables	TSX SCP 111 card	Communication device (Modem, converter, etc) (DCE) (2)	3 m	<b>TSX SCP CC 1030</b>	0.190		
			Terminal device with point-to-point (DTE) (2)	3 m	<b>TSX SCP CD 1030</b>	0.190	
			10 m	<b>TSX SCP CD 1100</b>	0.620		
Cable for tap link 20 mA CL	TSX SCP 112 card	Multidrop Modbus (1)	3 m	<b>TSX SCP CX 2030</b>	0.160		
Other connecting cables	–	–	–	See page 4/66	–		

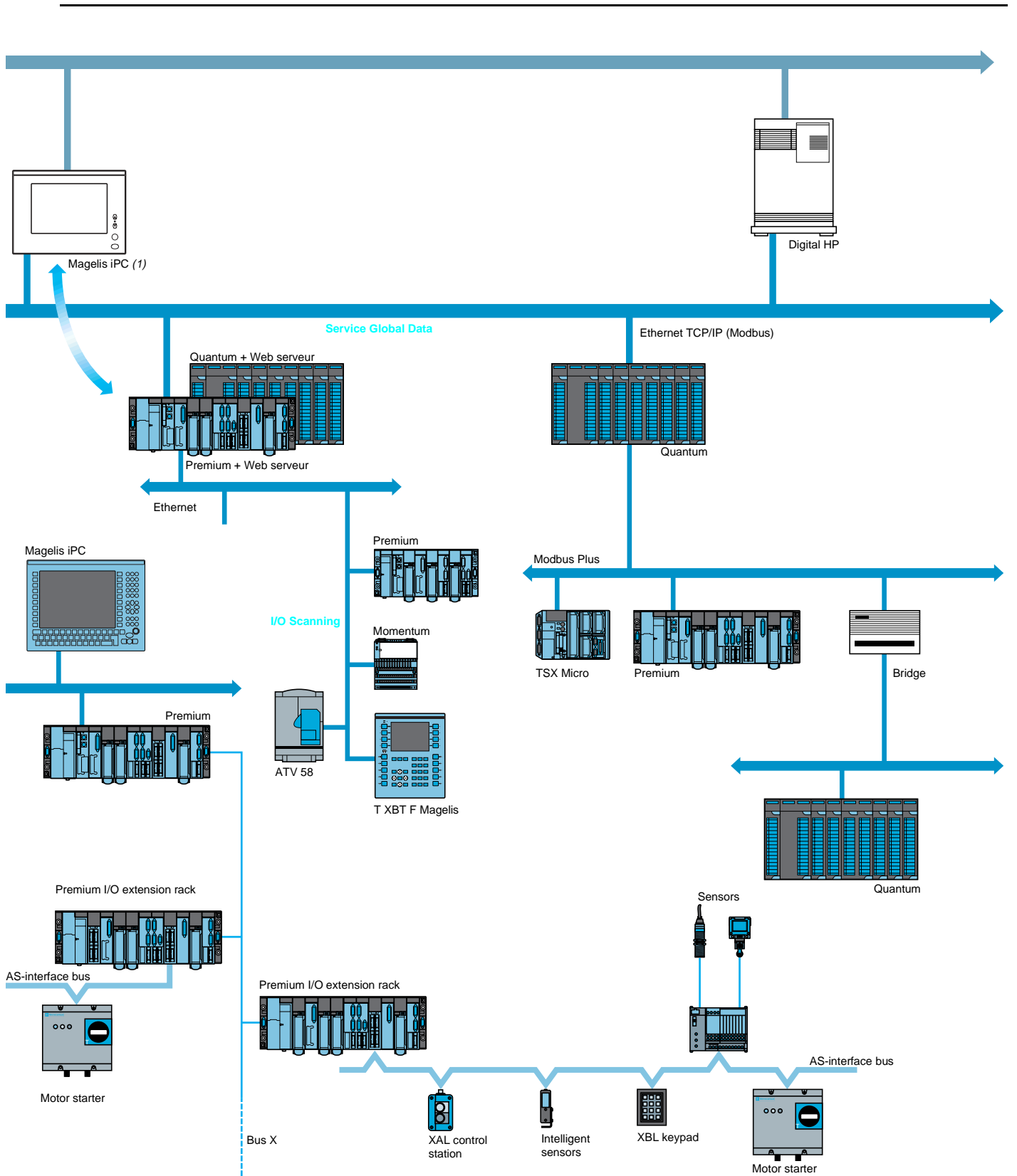
(1) End of cable fitted with free wires.

(2) End of cable fitted with a male 25-pin SUB-D connector.

4

1.4





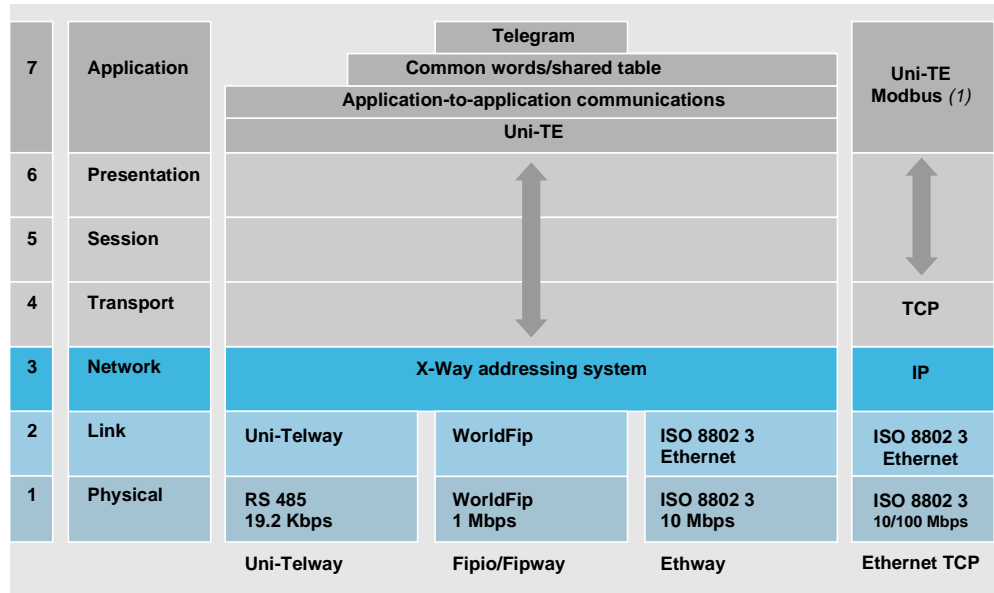
4

4.4

(1) PC industriel Magelis iPC in configuration "Thin Client" : PC having only Windows and an Internet browser.

### X-Way and the OSI model

The communication architecture of the programmable TSX Micro/Premium PLCs, like that of TSX 17 or TSX model 40 PLCs, is compliant with the OSI model.



**The physical layer** enables the physical transmission of data signals between 2 systems via a medium. In order for a network to operate correctly, and to ensure full security of personnel in compliance with IEC 1131 2, it is necessary to implement the wiring recommendations described in the reference manual TSX DR NET F “X-Way communication” (or in the TSX CD DMTE 13E CD-ROM “Technical documentation”).

**The application layer** concerns application programs, data exchange and cooperation conventions.

This layer provides the following services:

- Industrial Uni-TE message, available on TSX Micro/Premium/TSX PLCs.
- Distributed COM database available on TSX Micro/Premium/TSX PLCs, or Shared Table service available on TSX Micro/Premium PLCs.
- Periodical data exchange on Fipio bus, see page 4/50.
- Application-to-application communication.
- Telegram.

Size of requests	Ethway, Ethernet TCP/IP (1)	Fipway	Fipio	Uni-Telway
Uni-TE service	256 bytes (2)	128 bytes	128 bytes	240 bytes (3)
COM service	256 word database (4)	128 word database	–	–
Application-to-application	256 bytes	128 bytes	128 bytes	240 bytes (3)
Telegram	–	16 bytes	–	–

(1) Ethway not available on TSX Micro PLC.

(2) 1 K bytes with requests executed as a background task.

(3) 128 bytes on TSX Micro/Premium/TSX model 40 terminal port, 32 bytes on TSX 17 20/47 20/25.

(4) COM service not available with Ethernet TCP/IP.

#### Uni-TE services

The Uni-TE protocol is the industrial message handling system supported by the X-Way communication architecture. It operates on the question/answer or request/confirmation principle. A device which supports the Uni-TE protocol can be a:

- Client: this device initiates communication. It asks a question (reads), transmits data (writes) or sends an instruction (Run, Stop, etc.).
- Server: this device executes the service requested by the client and sends a confirmation after execution.

The services provided depend on the type of device (PLC, numerical controller, programming terminal, supervision station, etc.). Depending on its function, each device can be Client and/or Server. A Client PLC can access other devices on the architecture via its application program: It can read/write objects on another PLC or numerical controller, select programs on a numerical controller, etc.

### Network transparency

When connected to any station in the network or directly connected to the Fipway/Ethernet TCP/IP network, a programming terminal can communicate with any other station in the network (as if the terminal were physically connected to the PLC with which it is dialoguing).

Network transparency also applies between stations connected to different segments of the same multinet architecture.

### COM service and Shared Table service (exclusive services one from another)

**The COM service** is made up of a set of dedicated words called common words. Each Fipway/Ethway network station may or may not access the database (in read only or read/write mode).

All PLC stations exchanging common words (32 stations on Fipway, 64 stations on Ethway) are allocated, in a dedicated database (128 words for Fipway, 256 words for Ethway), a write zone (set at 4 words for the Fipway network, and variable from 4 to 64 words for the Ethway network) per TSX Micro/Premium station.

COM words are updated automatically during each scan of the general sequential program (master task) without the intervention of the application program.

**The Shared Table service** can be used to exchange a table of internal words divided into as many zones as there are TSX Micro/Premium PLCs which comprise the Fipway network. The exchange principle is based on the broadcasting, by each PLC, of a word memory zone (broadcast zone) to the other PLCs on the network. Each network station is allocated an exchange table comprising 128 internal words for the 32 PLCs that share the service, with a broadcast zone assigned to each PLC, variable from 1 to 32 internal words.

### Application-to-application communication

This consists of using the user application program to send word tables between 2 devices, which may be TSX Micro/Premium and TSX PLCs.

This service is particularly suitable for:

- Sending alarm messages from a PLC to a supervision station.
- Exchanging data tables between two PLCs controlled by the application programs of the transmission and destination device.
- Sending broadcast messages to all stations and devices.

### Telegram

The telegram service available on Fipway is a special case of application-to-application messages. It enables short messages to be sent and received on a priority basis (maximum 16 characters).

A telegram from a TSX Micro/Premium PLC is sent immediately without waiting for the end of the cycle. The telegram is received by the TSX Micro/Premium PLC in:

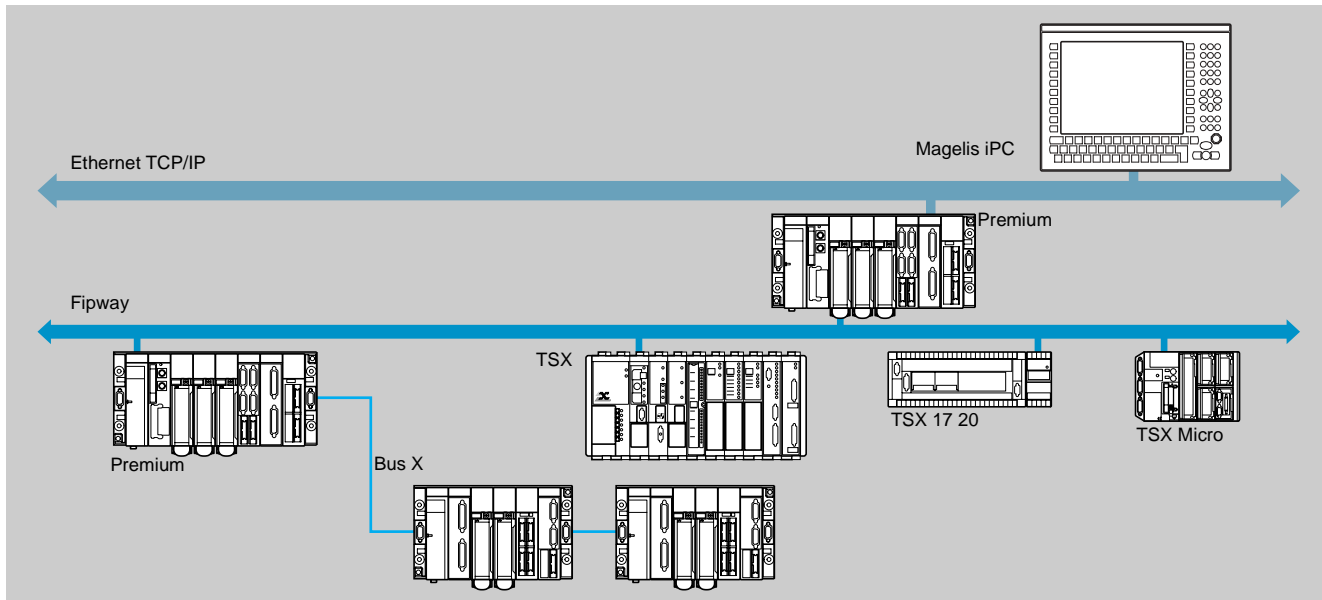
- The event-triggered task (processed as soon as the message arrives in the network card).
- The fast task or master task (when scanning the reception function).
- A PLC can only process one telegram at a time.

### Use in a multinet

The X-Way communication architecture is designed to cover multinet applications capable of dealing with problems of:

- Concentration, the architecture is particularly suitable for feedback of supervision data to a higher level.
- Redundancy, each PLC monitors the correct operation of both networks to which it is connected. If one of the networks should fail, all traffic could be transferred to the valid network.
- Inter-network communication. These architectures comprise several network segments which are interconnected by "bridge PLC" stations. Transparent communication is then offered between the entire architecture.

Presentation



4

The Fipway network is an open local area network for communication between the various TSX Micro, Premium and TSX Series 7 PLCs using the X-Way services. Communication conforms to the FIP standard with access via a bus arbitrator.

TSX Micro (TSX 37 21/22) and Premium PLCs can be connected to a Fipway network using a Fipway PCMCIA card which is inserted in each processor or into the TSX SCY 21601 (Premium) communication module. Supported X-Way services (see pages 4/44 to 4/45) are:

- Uni-TE services.
- Distributed database (COM) or Shared Table.
- Telegram (service only available when the PCMCIA card is inserted in the processor).
- Application-to-application communication.

For characteristics, Fipway network wiring and connection accessories, see pages 4/56 to 4/59.

1.4

### Characteristics

The Fipio industrial fieldbus is standard of communication between various control system components. It conforms to the WorldFip standard.

Type of bus/network			Fipway network
<b>Structure</b>	Type		Open industrial fieldbus conforming to WordFip standard
	Topology		Devices linked by daisy-chaining or tap link connections
	Maximum length	m	5 000
	Access method		Producer/consumer principal Management by fixed arbitrator
<b>Transmission</b>	Mode		Physical layer in baseband on shielded twisted pair, conforming to NF C 46 604
	Data rate	Mbit/s	1
	Medium		150 Ω shielded twisted pair, 62.5/125 ou 50/125 fibre optic using electrical/fibre optic repeaters
<b>Configuration</b>	Number of devices	Per segment	32 stations
		Maxi	64 stations
	Segments	Number	Unlimited
		Length	m
<b>Services</b>	COM (1)		Distributed database: 128 mots maximum 0 or 4 % NWi words for TSX Micro and Premium station with addresses 0 to 31
	Shared table(1)		Shared table of internal words: 128 words maximum 1 to 32 % MWi words per TSX Micro and Premium station with addresses 0 to 3 (2)
	Uni-TE		Point-to-point requests with confirmation report: 128 bytes maximum, can be used by all devices connected to the same X-Way architecture (access by the Client device to the Server device system functions)
	Application-to-application		Point-to-point messages: 128 bytes maximum between 2 devices, can be used by all TSX Micro (1)/Premium/TSX Serie 7
	Telegram		Point-to-point priority messages: 16 bytes maximum between 2 Premium (3) or TSX Series 7 stations with addresses 0 to 15
	Security		Control characters in each frame and acknowledgement of point-to-point messages conforming to standard NF C 46 603

(1) The COM and Shared table service are mutually exclusive.

(2) Service reserved for TSX Micro and Premium PLCs.

(3) Service only available when Fipway PCMCIA card is installed in the processor.

### Performances

The operating principle of a Fipway network gives ensured, constant network cycle times whatever the traffic and number of stations (2 to 64). This enables the Fipway network to be updated (addition or removal of stations) without changing the performance.

#### Maximum transmission time

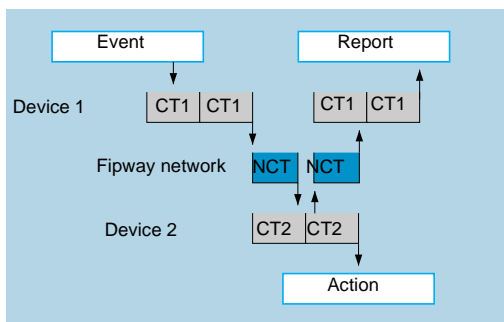
- Telegram (TLG): priority application messages are transmitted in less than 10 ms (one telegram per station).
- Common words (COM): the database of common words is updated every 40 ms.
- Shared Table: the exchange table is updated every 40 ms.

Uni-TE message handling system: Uni-TE or standard application-to-application messages are normally transmitted in less than 80 ms (40 ms for stations with addresses below 32). Where there is a large amount of traffic, some messages can wait for several cycles before being transmitted. The network characteristics enable a maximum of 210 messages of 128 bytes per second to be transmitted.

The performance can be improved by inhibiting the Telegram service in the network. With such network characteristics, the response time at application level depends almost exclusively on the processing capacity of the devices which are connected. For example, the remote loading of a 50 K word program takes less than two minutes on a network with normal load.

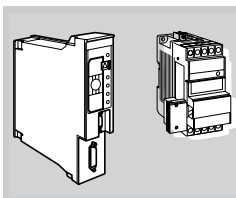
- CT1 = Cycle time of device 1.
- NCT = Cycle time of Fipway network.
- CT2 = Cycle time of device 2.

The response time must be evaluated by the designer of each application in relation to the devices connected. The processing time of a device can vary from one to two cycle times as a function of asynchronous operation.



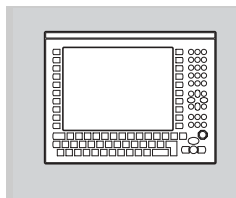
### Connectable devices

#### TSX 7 PLCs



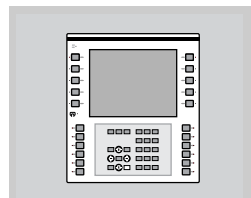
Connection via Fipio/Fipway integrated link or via the TSX FPM 100 module of TSX/PMX model 40 PLCs. Connection via the TSX FPG 10 module of TSX 17 20 TSX Micro PLCs.

#### Magelis iPC industrial PC



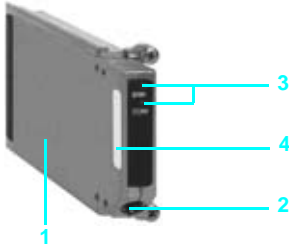
Equipped with TSX FPC 10M for PC compatible (ISA bus). They access all devices in the X-Way architecture. The various X-Way drivers are available on CD-ROM, see page 5/19.

#### Magelis operator dialogue terminals



Connection via the TSX FPP 20 PCMCIA card.





TSX FPP 20



TSX SCY 21601



TSX FP CG 010/030

### Description

TSX Micro/Premium PLCs have a slot on the processor for a type III PCMCIA communication card. This can be fitted with the TSX FPP 20 fipway network connection card, which is also inserted into the TSX SCY 21601 communication module slot.

The TSX FPP 20 card comprises:

- 1 Protective cover
- 2 Removable cover with fixing screws for access to the 20-way miniature connector
- 3 Two indicator lamps:

- ERR lamp: card fault, link fault,
- COM lamp: data transmission or reception.

Connector to be ordered separately:

TSX FP CG 010/030, 1 or 3 m cable for connection to the TSX FP ACC 3/ACC 4 T-junction box (on 9-way SUB-D connector).

### References

Description	Number per Premium PLC	Use	Composition	Reference	Weight kg
<b>Fipway card</b>	1 with 37 20 1 with 57 10 1 with 57 20 3 with 57 30 4 with 57 40	Type III slot on, - TSX Micro/ Premium processor - TPCX 57 10/30 coprocessor - TSX SCY 21601 module	1 type III PCMCIA card	<b>TSX FPP 20</b>	0.110
<b>Communication module</b>	See page 4/47	For Premium PLC - 1 isolated 2 wire RS 485 integrated channel (Half-duplex) - 1 slot for type III PCMCIA card	2 channels	<b>TSX SCY 21601</b>	0.360
<b>Set of X-Way drivers for PC compatible</b>	Includes all X-Way drivers		1 CD-Rom	See page 5/19	-

### Connection cables and accessories (1)

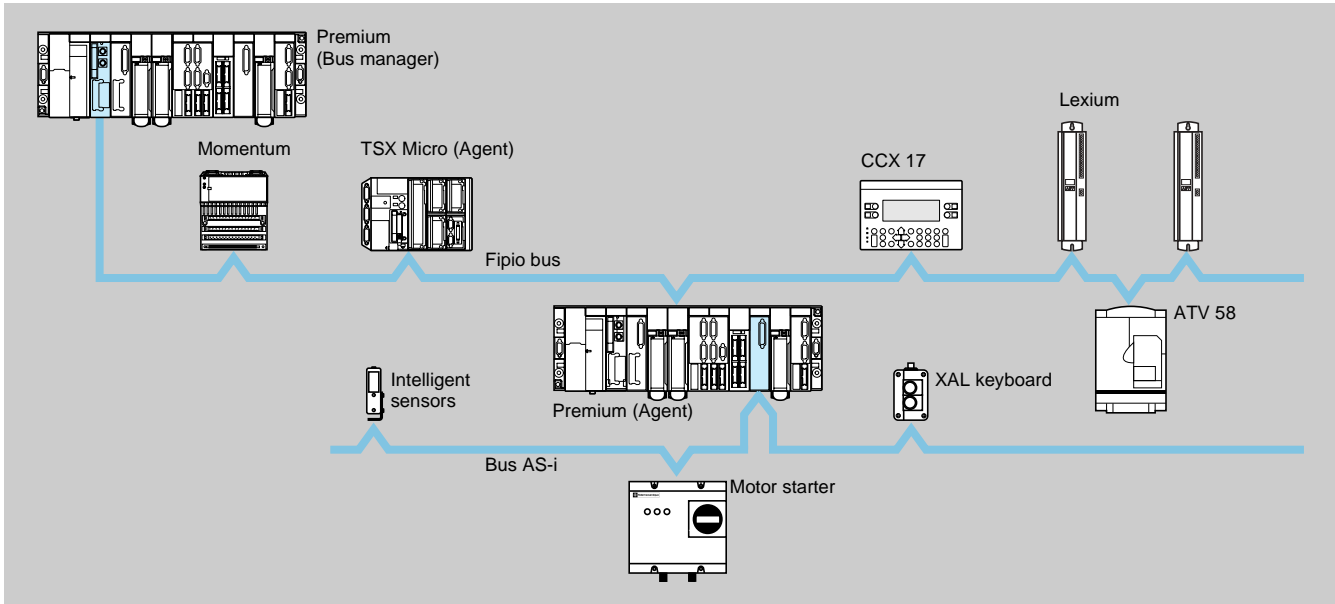
Description	Use From	To	Length	Reference	Weight kg
<b>Cables for PCMCIA</b>	TSX FPP 20 card (miniature connector)	TSX FP ACC 3/4 box (SUB-D 9-way connector)	1 m	<b>TSX FP CG 010</b>	0.210
			3 m	<b>TSX FP CG 030</b>	0.410

(1) For other Fipway network accessories and connection cables, see pages 4/58 and 4/59.

# Modicon TSX Micro automation platform

## Fipio bus Agent function

### Presentation



TSX Micro (TSX 37 21/22) or Premium PLCs, fitted with a TSX FPP 10 PCMCIA card on their integrated communication channel, are agents on the Fipio bus. The bus manager is a TSX P 57 153/253/2823/353/453/4823, Atrium coprocessor T PCX 57 203/353.

The Fipio bus enables I/O to be remotely located close to the devices to be controlled (Momentum, Altivar, etc). The Agent function enables offline processing, by locating a TSX Micro PLC close to the machine.

In addition to the standard Fipio services (see pages 4/39 to 4/45), TSX Micro (TSX 37 21/22) and Premium PLCs allow exchanges of input and output variables with the bus manager PLC. These exchanges are performed cyclically, automatically and without the involvement of the application program at the same rate as the task for which the agent PLC has been configured.

For characteristics, Fipio bus wiring system and connection accessories, see pages 4/50 to 4/59.

### Application services

The application services supported by TSX Micro (TSX 37 21/22) and Premium Agent function PLCs are:

- Uni-TE service, X-Way industrial message handling service suitable for operator dialogue, diagnostics and control functions (requests of up to 128 bytes).
- Application-to-application communication service, which consists of the transmission of tables between 2 devices controlled by their respective application programs (messages of up to 128 bytes).
- New periodic data exchange service for exchanging a 64 word table between the bus manager PLC and the Premium Agent PLC. Software setup see page 4/52.

### Characteristics

The Fipio industrial fieldbus is standard of communication between various control system components. It conforms to the WorldFip standard.

Type of bus/network			Fipio bus
<b>Structure</b>	Type		Open industrial fieldbus conforming to WordFip standard
	Topology		Devices linked by daisy-chaining or tap link connections
	Maximum length	m	15 000
	Access method		Producer/consumer principal Management by fixed arbitrator
<b>Transmission</b>	Mode		Physical layer in baseband on shielded twisted pair, conforming to NF C 46 604
	Data rate	Mbit/s	1
	Medium		150 Ω shielded twisted pair, 62.5/125 ou 50/125 fibre optic using electrical/fibre optic repeaters
<b>Configuration</b>	Number of devices	Per segment	32 connexion points per segment
		Maxi	128 on all segments
	Segments	Number	Unlimited
		Length	m
<b>Services</b>	Input/output exchanges		Periodic and deterministic exchanges of variables between bus manager PLC and Agent PLC (64 %MWi consecutive words: 32 %MWi for transmission and 32 %MWi for reception)
	Uni-TE		Point-to-point requests with confirmation report: 128 bytes maximum, can be used by all devices connected to the same X-Way architecture (access by the Client device to the Server device system functions)
	Application-to-application		Point-to-point messages: 128 bytes maximum between 2 devices, can be used by all TSX Micro(1)/Premium/TSX Serie 7
	Security		Control characters in each frame and acknowledgement of point-to-point messages conforming to standard NF C 46 603

(1) TSX 37 21/22 only.

### Software setup



Each TSX Micro/Premium PLC Fipio Agent uses 64 %MWi consecutive internal words to exchange periodic data. The first 32 words are reserved for sending data to the manager, and the remaining 32 are reserved for receiving data from the manager.

PL7 Micro/Junior/Pro application-specific screens allow the configuration of the Fipio Agent PCMCIA card. This consists of:

- Indicating the connection point number (1 to 127).
- Indicating the address at the beginning of the 64 %MW word table reserved for sending data to and receiving data from the manager.

### Description

TSX Micro (TSX 37 21/22)/Premium PLCs have a slot in the processor for a type III PCMCIA communication card. This can be fitted with a TSX FPP 10 Fipio bus connection card.

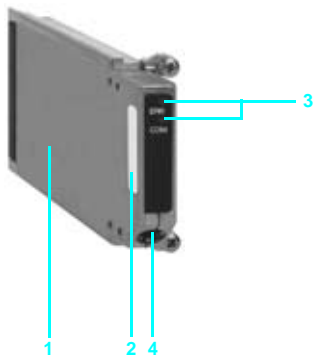
The TSX FPP 10 card comprises:

- 1 A protective cover.
- 2 A removable cover with fixing screws giving access to the 20 way miniature connector.
- 3 Two indicator lamps:
  - ERR lamp: card fault, link fault,
  - COM lamp: transmission or reception of data.

Connector to be ordered separately:

- 4 TSX FP CG 010/030, 1 or 3 m cable for connecting the TSX FP ACC 4 tap junction (on 9-way SUB-D connector).

4



1.4

# Modicon TSX Micro automation platform

## Fipio bus Agent function



TSX FPP 10



TSX FP ACC 3



TSX FP ACC 4



TSX FP CG 010/030

### References

#### Fipio bus connection component

Description	Composition	Use	Reference	Weight kg
<b>Fipio Agent function card</b>	1 type III PCMCIA Version V1.8	On TSX Micro processors (TSX 37 21/22), Premium/Atrium processors	<b>TSX FPP 10</b>	0.110

#### Fipio bus connection accessories (1)

Description	Use	Reference	Weight kg
<b>Insulated bus cable connector</b>	Trunk cable tap link, supports 2 x 9-way female SUB-D connectors (for TSX FP CG 010/030 PCMCIA card (in black polycarbonate, IP 20)	<b>TSX FP ACC 3</b>	0.090

<b>Dust and damp proof bus cable connector</b>	Trunk cable tap link	<b>TSX FP ACC 4</b>	0.660
--	----------------------	---------------------	-------

#### Fipio bus connection cables (1)

Description	Use From	To	Length	Reference	Weight kg
<b>Cables for PCMCIA card</b>	TSX FPP 10 card (miniature connector)	TSX FP ACC 4 cable connector (9-way SUB-D connector)	1 m	<b>TSX FP CG 010</b>	0.210
			3	<b>TSX FP CG 030</b>	0.410

(1) For other Fipio bus accessories and connection cables, see pages 4/52 and 4/53.

# Modicon TSX Micro platform automation

## Fipio/Fipway optic transceiver

### Presentation

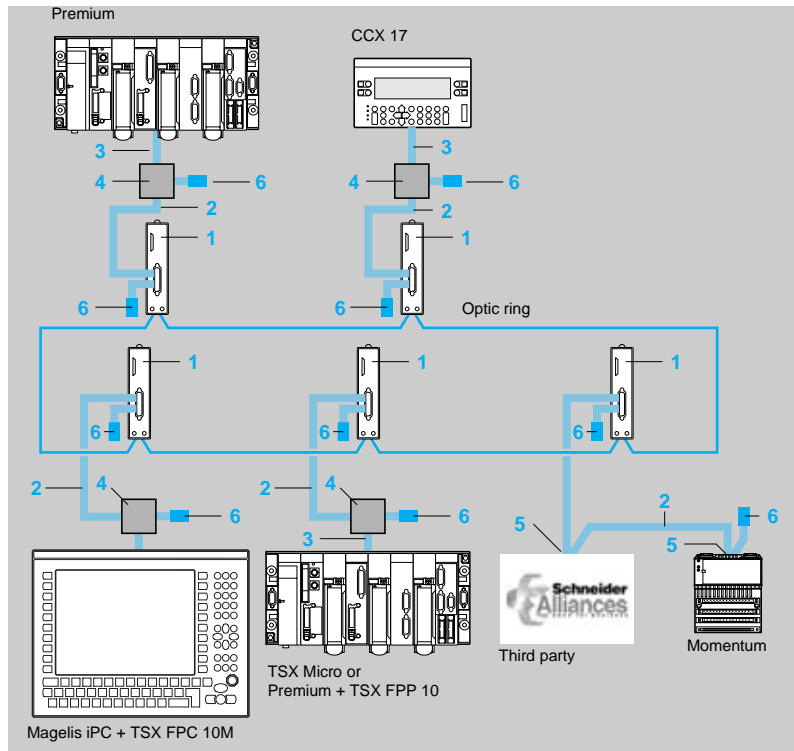
The OZD FIP G3 optic transceivers are particularly adapted for use with applications which are subject to harsh electrical environments or which are distributed over large areas:

- Public buildings.
- Large-scale industrial sites.
- Water treatment and distribution.
- Transport and highway tunnel infrastructures, etc.

The OZD FIP G3 optic transceiver enables conversion of a FIP electric interface to 2 FIP optic interfaces and vice versa. As a result, it allows redundant ring topologies to exist; these improve installation availability even when a line is broken at a point in the medium.

In these situations, the length of the bus or the Fipio/Fipway ring can reach 20 Km, with a maximum of 32 Fipio or 20 Fipway transceivers. See characteristics on page 4/49. These characteristics may be increased using mixed topologies such as 2 serial optic rings or 2 serial optic buses; please consult our regional office.

### Wiring system



- 1 **OZD FIP GG3**: Fipio/Fipway optic transceiver.
- 2 **TSX FP CA●00**: 150 Ω shielded twisted pair trunk cable (diameter 8 mm) for use in standard environments and inside buildings.
- 3 **TSX FP CG 0●0**: tap-off connection cable for TSX FPP 10/20 PCMCIA module card for TSX Micro/Premium PLCs.
- 4 **TSX FP ACC 3/4**: T-junction box. It also has two 9-way female SUB-D connectors for connecting any device which connects to the bus by a PCMCIA card.
- 5 **TSX FP ACC 2/12**: 9-way female SUB-D connector for Fipway/Fipio connection using daisy chaining or tap link connection.
- 6 **TSX FP ACC 7**: line terminator to be placed at each segment end.  
**TSX LES 65**: terminal block for TSX Series 7 PLC, which performs the address coding.

### Performances

#### Fipio bus operating mode and performance on fiber optics

After configuration in Fipio mode, the processor scans the various application devices according to the software configuration:

- Image variables of the input values and of the output command values of a configured device are scanned as quickly as possible on the bus, whilst respecting the existing relationships between periods of different tasks which use these devices.
- Appearance or disappearance of a configured device is detected on the bus within a maximum time of 200 ms.
- Exchanges occur at the rate defined by the programmer, from 10 to 20 Uni-TE messages per second.

The network cycle time is double that of the electrical bus when OZD FIP G3 transceivers are used.

#### Fipway bus operating mode and performance on fiber optics

The operating principle is identical to that on an electrical network, in that the number of stations is limited to 32 and the transmission time is as follows:

- For the Common words and Shared Table services, updating of the entire database is carried out every 40 ms maximum.

For Uni-TE message handling, the network characteristics are used to transmit a maximum of 230 messages of 128 bytes per second.

### Characteristics (with OZD FIP G3 optic transceivers) (1)

Type of bus/network		Fipio bus	Fipway network
Structure	Type	Open industrial support conforming to Fip standard	
	Topology	In redundant rings or in a line with simple redundant links	
	Access method	Producer/consumer principle Management by a fixed arbitrator	Producer/consumer principle Management by an automatically elected arbitrator
Transmission	Mode	Multimode (860 nanometres)	
	Data rate	1 Mbit/s	
	Medium (2)	Fiber optic 50/125 - 17 dBm or 62.5/125 - 15 dBm	
	Inter-repeater distance	2,500 m for 50/125 and 2,800 m for 62.5/125	
Configuration	No. of connection points	32 optic transceivers	20 optic transceivers
	Maximum no. of devices	16 Fipio devices can be connected to the same fiber optic transceiver	16 stations can be connected to the same fiber optic transceiver but the maximum number of stations is 32
	No. of segments	The loop (or fiber optic line) is similar to a non cascadable segment	
	Length	Maximum circumference of the ring (or length of the line): 20 km	
	Maximum optic distance between 2 OZD FIP G3 transceivers	1,500 m, with the following on the ring or the line: 32 optic transceivers 2,000 m, with the following on the ring or the line: < 32 optic transceivers 3,000 m, with the following on the ring or the line: 2 optic transceivers	
	Tap links	From the <b>OZD FIP G3</b> fiber optic transceiver, the maximum length of the electrical tap link is 100 m	
Services	Same as page 4/56 except for the Telegram service, which is not available with OZD FIP G3 fiber optic transceiver.		

### References



OZD FIP G3



TSX FPP 20/10

Description	Max. number of transceivers	Connectable devices Fipio bus	Fipway network	Reference	Weight kg
Optic transceiver Fipio/Fipway (3)	32 with Fipio 20 with Fipway	- TSX Micro/Premium - TBX remote I/Os with TBX LEP 30 - Remote Momentum I/O - CCX 17 panels (version 2.4) - Magelis iPC industrial PCs - Lexium drives, etc.	TSX Micro, Premium (with TSX FPP 20 PCMCIA card)	<b>OZD FIP G3</b>	0.500

#### TSX Micro/Premium PLC connection components (4)

Description	Use	Composition	Reference	Weight kg
Fipway card	TSX 37 21/22 Micro PLC, Premium processor, Atrium coprocessor	1 type III PCMCIA card	<b>TSX FPP OZD 200</b>	0.110
Fipio card agent function	TSX 37 21/22 Micro PLC, Premium processor, Atrium coprocessor	1 type III PCMCIA card	<b>TSX FPP 10</b>	0.110

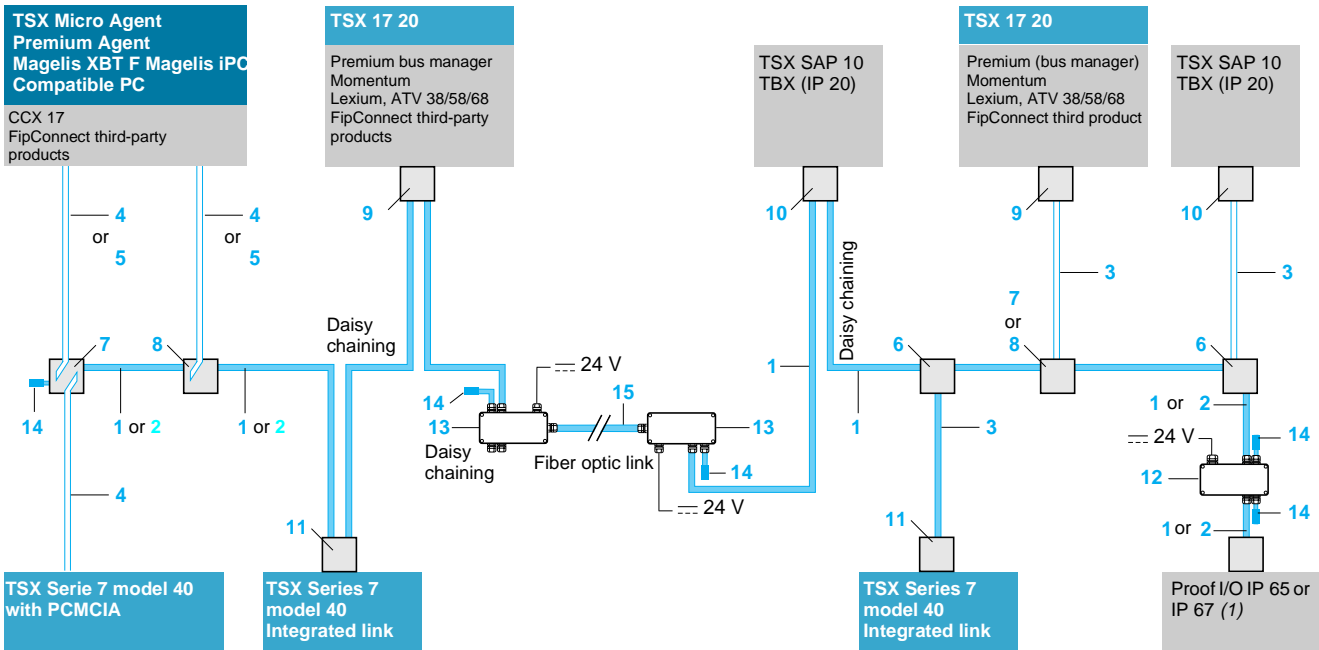
(1) These characteristics can be increased using mixed topologies; please consult our regional office.

(2) Devices connected on electrical tap links are compatible with the WorldFip physical layer.

(3) For TSX FP ACC 8M fiber optic electrical repeater, see page 4/58.

(4) For accessories and connection cables, see pages 4/58 and 4/59.

### Fipio bus and Fipway network wiring system



**F** Connection to Fipway network and Fipio bus      Connection to Fipway bus      Connection to Fipio bus  
 (1) Dust and damp proof I/O modules on Fipio bus for IP 65 modules: TBX EEP/ESP modules and connections, see pages 4/6 to 4/11, IP 67 modules: TSX EEF/ESF/EMF modules and connections, consult our Modicon Premium automation platform catalogue.

### Connectable devices

Devices to be connected on Fipio	Boxes					Connectors				
	TSX FP ACC4 8	TSX FP ACC14 6	TSX FP ACC3 7	TBX FP ACC10	TSX EF ACC99	TSX FP ACC 2 9	TSX FP ACC12 9	TBX BLP01 10	TBX BLP10	TBX BAS10
Premium Fipio Agent	D		D							
Premium bus manager	D	D				C/D	C/D			
TSX Micro Fipio Agent	D		D							
Lexium	D		D			C/D	C/D			
ATV 58E	D		D			C/D				
ATV 58H/P/F, ATV 68/68F	D		D				C/D			
CCX 17	D		D							
Industrial Magelis iPC PCs	D		D							
XBT-F, TXBT-F Magelis terminals	D		D							
PC compatible	D		D							
Momentum	D	D				C/D	C/D			
TBX IP 20	D	D						C/D		
TBX IP 65 with telealimantation				C/D (2)					C/D	C/D (3)
TBX IP 65 without telealimantation	D (1)								D	D (3)
IP 67 I/O					C/D					
TBX SAP 10 AS-i gateway	D	D						C/D		
Devices to be connected on Fipway	Boxes					Connectors				
	TSX FP ACC4 8	TSX FP ACC14 6	TSX FP ACC3 7	TBX FP ACC10	TSX EF ACC99	TSX FP ACC 2 9	TSX FP ACC12 9	TBX BLP01	TBX BLP10	TBX BAS10
Premium	D		D							
TSX Micro	D		D							
TSX Series 7 model 40 (integrated link)	D	D								C/D
TSX Series 7 model 40 (PCMCIA)	D		D							
TSX 17 20	D	D				C/D	C/D			
XBT-F, TXBT-F Magelis terminals	D		D							
Magelis iPC industrial PC	D		D							
PC compatible	D		D							
LUF P1 Modbus gateway	D		D			C/D	C/D			

**D** recommended connection      **C**: connection by daisy chaining  
**P** possible connection      **D**: connection by tap link

(1) Possible if only one TBX IP 65 module is used.  
 (2) The connection by daisy chaining with the TBX FP ACC 10 connection box is only possible with the first TBX module on Fipio bus.  
 (3) The TBX BAS connector is only used for TBX IP 65 output modules.



# Modicon TSX Micro automation platform

## Fipio bus and Fipway network

### Cables

- 1 **TSX FP CA●00**: trunk cable, shielded twisted pair 150 Ω (8 mm diameter) for normal environments and use inside buildings.
- 2 **TSX FP CR●00**: trunk cable, shielded twisted pair 150 Ω and 1 x 1.5 mm<sup>2</sup> pair for remote supply (9.5 mm diameter) for harsh environments and use outside buildings.
- 3 **TSX FP CC●00**: tap link cable, shielded twisted pair 150 Ω (8 mm diameter) for normal environments and use inside buildings.
- 4 **TSX FP CG0●0**: tap link connecting cable for PCMCIA TSX FPP 10/20 communication card for TSX Micro/Premium/TSX Series 7 PLCs, FT 2100 terminals and PC compatibles. Connection to the bus is via a 9-way SUB-D connector on the TSX FP ACC3/ACC4 junction box.
- 5 **TSX FP CE030**: tap link connecting cable for TSX FPC 10 or FCP FPC 10 PC communication card (ISA bus) for FTX 517, CCX 77/87 terminals and PC compatibles. Connection to the bus is via a 9-way SUB-D connector on the TSX FP ACC 3/ACC 4 junction box.

### Connection boxes

- 6 **TSX FP ACC14**: Polycarbonate IP 20 junction box: provides tap link from the trunk cable to connect 1 device via TSX FP CC●00 tap link cable or several devices in a daisy chain.
- 7 **TSX FP ACC3**: IP 20 box for connecting 2 PC or PCMCIA cards (TSX FPP 10, TSX FPC 10, TSX FPP 20/200, FCP FPP 10) on a 9-way SUB-D connector.
- 8 **TSX FP ACC4**: IP 65 junction box. It also has a 9-way female SUB-D connector for any device which is connected to the bus via a PCMCIA card (in this case, the box is IP 20).  
**TSX EF ACC99**: IP 65 junction box for IP 67 I/O modules, consult our Modicon Premium automation platform catalogue.






### Connectors

- 9 **TSX FP ACC2** and **TSX FP ACC12**: 9-way female SUB-D connector for Fipway/Fipio connection (TSX FP ACC 2 connector for TSX 17 20 micro-PLC for example). Used for daisy chain or tap link connection (90° output high or low, 45° output high or low).
- 10 **TBX BLP01**: connector for TBX I/O modules (IP 20).
- 11 **TSX LES65**: connecting cable for TSX/PMX model 40 PLCs. Used for address coding.
- 12 **TSX FP ACC6**: electrical repeater: used to increase the number of stations (max 64) and the length of the network by creating an additional segment of up to 1000 m (a maximum of 4 repeaters in cascade giving a network length of 5000 m).  
**TSX EF C●●●**: dust and damp proof connectors for IP 67 I/O modules, consult our Modicon Premium automation platform catalogue.

### Other elements

- 13 **TSX FP ACC8M**: fibre optic/electrical repeater: used to connect electrical segments via a fibre optic link (particularly suitable for zones with a high level of interference) or to connect a fibre optic device.
- 14 **TSX FP ACC7**: Line terminator, to be installed at both ends of a segment.
- 15 **TSX FP JF020**: fibre optic jumper (length 2 m). For fibre optic connection of the TSX FP ACC 8M repeater to a patch panel. The maximum length of the fibre optic cable (62.5/125) between 2 repeaters is 3000 m.  
**TSX EF ACC7**: line terminator, to be installed at both ends of a segment requiring IP 67 protection, consult our Modicon Premium automation platform catalogue.  
**TSX FP ACC9**: network wiring test tool. This is used for testing the continuity of segments, the connections of the various devices and the installation of line terminators.

### Fipway network/Fipio bus connection accessories (1)

	Description	Use	Rep.	Reference	Weight kg
 TSX FP ACC 12	<b>Female connector for TSX FPG10 module</b> (TSX 17 micro-PLCs)	Connection by daisy chaining Zamac material	9	TSX FP ACC2	0.080
	<b>Female isolating connector for devices with 9-way SUB-D connectors</b>	Connection by daisy chaining or tap link black polycarbonate material IP 20	10	TSX FP ACC12	0.040
 TSX FP ACC14	<b>Insulated bus connection box</b> (black polycarbonate, IP 20)	Trunk cable tap link (for connecting the --- 24 V power supply of TBX dust and damp proof modules)	6	TSX FP ACC14	0.120
		Trunk cable tap link supports 2 x 9-way SUB-D female connectors (for PCMCIA card cable TSX FP CG 010/030) For connecting --- 24 V power supply of TBX dust and damp proof modules	7	TSX FP ACC3	0.090
 TSX FP ACC3	<b>Dust and damp proof bus connection box</b> (Zamac material, IP 65)	Trunk cable tap link, supports 1 x 9-way female SUB-D connector (for PCMCIA card cable TSX FP CG 010/030)	8	TSX FP ACC4	0.660
		Trunk cable tap link via 2 M23 connectors Remote --- 24 V power distribution via 7/8" connector PC compatible terminal connection via 9-way female SUB-D connector		TSX EF ACC99	0.715
 TSX FP ACC4	<b>Line terminators</b> (sold in lots of 2)	2 impedance adaptors	14	TSX EF ACC7	0.020
	<b>Electrical repeater</b> (IP 65)	Increases the length of the network or bus by allowing the connection of 2 segments of up to 1000 m each	12	TSX FP ACC6	0.520
 TSX EF ACC99	<b>Electrical/fibre optic repeater</b> (IP 65)	Used to connect (via patch panel) an electrical segment (1000 m max.) and a fibre optic segment (3000 m max.)	13	TSX FP ACC8M	0.620
	<b>FIP wiring test tool</b>	Used to test each cable segment of the network		TSX FP ACC9	0.050

### Fipio/Fipway communication cards

<b>PCMCIA cards</b>	Type III cards	See pages 4/49 and 4/53
<b>ISA bus PC card</b>	Fipio/Fipway connection card for PC compatible Card with short format on ISA bus Windows 95/98 and Windows NT4 compatible	TSX FPC10M 0.140

(1) The characteristics and performances of the Fipio bus or Fipway network are dependent on the above TSX FP accessories being used.

### Fipway network/Fipio bus connecting cables (1)

Description	Type	Conditions of use	Rep.	Length	Reference	Weight kg
<b>Trunk cables</b>	8 mm 1 shielded twisted pair 150 Ω	In normal environment (2) and inside building	1	100 m	<b>TSX FP CA100</b>	5.680
				200 m	<b>TSX FP CA200</b>	10.920
				500 m	<b>TSX FP CA500</b>	30.000
	9.5 mm, 1 shielded twisted pair 150 Ω	In harsh environment (3) outside building or in garland (4)		100 m	<b>TSX FP CR100</b>	7.680
				200 m	<b>TSX FP CR200</b>	14.920
				500 m	<b>TSX FP CR500</b>	30.000
	9.5 mm, 1 shielded twisted pair 150 Ω and 1 x 1.5 mm <sup>2</sup> pair for remote supply	I/O IP 67, in normal environment (2) and inside building		100 m	<b>TSX FP CP 100</b>	7.680
				500 m	<b>TSX FP CP 500</b>	30.000
<b>Tap link cables</b>	8 mm, 2 shielded twisted pairs 150 Ω	In normal environment(2) and inside building	3	100 m	<b>TSX FP CC100</b>	5.680
				200 m	<b>TSX FP CC200</b>	10.920
				500 m	<b>TSX FP CC500</b>	30.000
<b>Cable for PCs card</b>	2 shielded twisted pairs	From TSX FPC10M card to TSX FP ACC3/4 box	5	3 m	<b>TSX FP CE030</b>	0.410
<b>Fibre optic jumper</b>	Double fibre optic 62.5/125	For electrical/fibre optic repeater	15	2 m	<b>TSX FP JF020</b>	0.550

(1) The characteristics and performances of the Fipio bus/Fipway network are dependent on the above TSX FP accessories being used.

(2) Normal environment:

- without special environmental restrictions,
- operating temperature between + 5 °C and + 60 °C,
- fixed installations.

(3) Harsh environment:

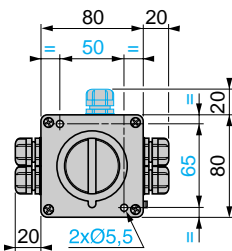
- resistance to hydrocarbons, industrial oils, detergents, solder chips,
- up to 100% humidity,
- saline environment,
- extreme variations in temperature,
- operating temperature between - 10 °C and + 70 °C,
- mobile installations.

(4) Mobile installations: cables as per VDE 472, part 603/H:

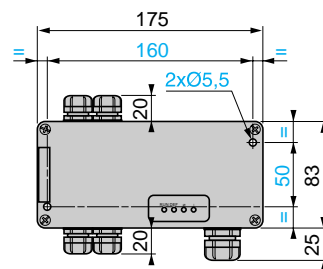
- for use on cable drag chain with minimum bend radius of 75 mm,
- for use on gantry crane (strikethrough: portal support), subject to compliance with conditions for use such as acceleration, speed, length etc: contact our regional branch office for further information.
- not authorized for use on robots, or multi-axis applications.

### Dimensions

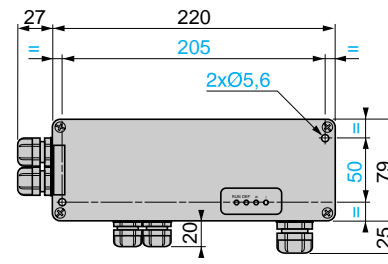
TSX FP ACC4



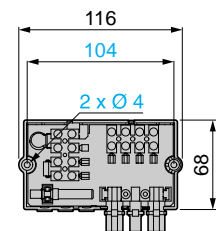
TSX FP ACC6



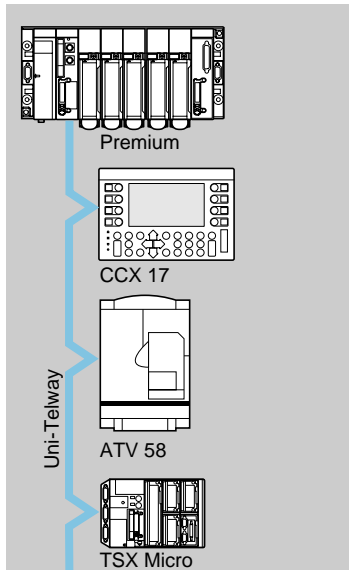
TSX FP ACC8M



TSX FP ACC14



### Presentation



The Uni-Telway bus is a standard means of communication between control system components (PLCs, MMI terminals, supervisors, variable speed drives, numerical controllers, weighing equipment, etc.).

It is suitable for architectures designed to manage control and monitoring devices via a PLC, or architectures used for MMI (supervision, etc.).

The Uni-Telway bus requires a master station which manages the allocation of bus access rights to the various connected stations (known as slave stations).

4

### Characteristics

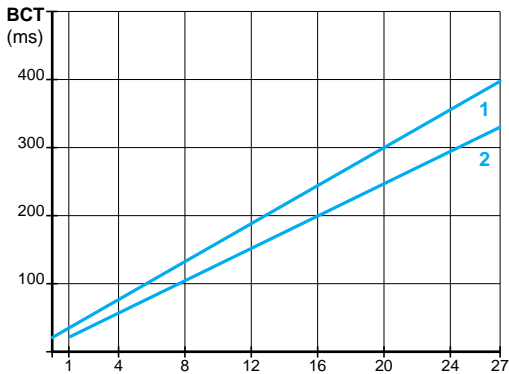
Physical interface		RS 485 non isolated terminal port (TER/AUX)	Premium RS 485 isolated module integrated port (1)	Isolated RS 485/RS 422 PCMCIA card	20 mA CL PCMCIA card	Non-isolated RS 232D PCMCIA card
<b>Structure</b>	Type	Heterogeneous industrial bus				
	Link	Multidrop				Point-to-point
	Method of access	Master/Slave principle				
<b>Transmission</b>	Mode	Asynchronous transmission in baseband				
	Data rate	1.2...19.2 Kbit/s				0.3...19.2 Kbit/s
	Medium	Shielded double twisted pair				
<b>Configuration</b>	Number of devices	5 max.	28 max.	16 max.	2	
	Number of connection addresses	8 max.	96 max.(1 device can occupy several datalink addresses)			
	Length of bus	10 m max., 1,000 m with <b>TSX P ACC 01</b>	1,000 m max. excluding tap links		1300 m max., excluding tap links	15 m (unlimited via modem)
	Tap links	–	20 m	20 m	15 m	–
<b>Service</b>	Uni-TE	Point-to-point requests with confirmation (question/response), of up to 240 bytes (2) initiated by any connected device				
		Unsolicited point-to-point data, without confirmation, of up to 240 bytes(2) initiated by any connected device				
		Broadcast messages of up to 240 bytes (2) initiated by the master device				
	Other functions	Transparent communication, via the master, with any device in an X-Way architecture				
		Diagnostics, debugging, adjustment and programming of PLCs				
	Security	Check character on each frame, acknowledgement and, if required, repetition of messages ensure security of transmission				
Monitoring	Bus status table, transmission error counters and device status can be accessed by program in each device					
	Status of the bus and devices connected from the master PLC accessible using PL7 software.					

(1) TSX SCY 21601 single format module.

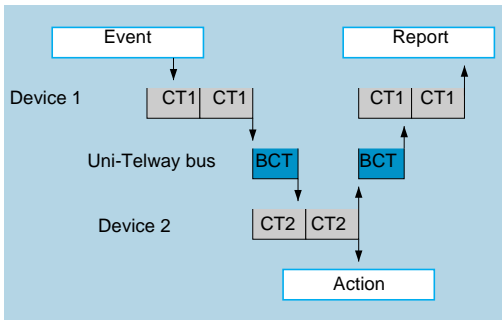
(2) Limited to 128 bytes with TSX Micro/Premium PLC terminal port.

1.4

### Performances



1 = 9.6 Kbit/s  
2 = 19.2 Kbit/s



BCT = Uni-Telway bus cycle time  
CT1 = Device 1 bus cycle time  
CT2 = Device 2 bus cycle time

The Uni-Telway bus cycle time depends on:

- The number of devices polled (datalink addresses).
- The data rate.
- The turnaround time of each device.
- The number, length and type of messages.

**BCT** = Bus Cycle Time, is the interval between two polls from the same device.

The curves opposite give the Uni-Telway cycle time as a function of the number of slaves operating at 9.6 Kbit/s or 19.2 Kbit/s, with a typical turnaround time of 5 ms per device (excluding messages).

The following table shows the time to be added (in ms) to obtain the true BCT value as a function of the traffic (N = Number of usable characters):

Exchanges	Time (ms)	
	at 9.6 Kbit/s	at 19.2 Kbit/s
Master to slave	$24 + 1.2 N (1)$	$17 + 0.6 N (1)$
Slave to Master	$19 + 1.2 N (1)$	$12 + 0.6 N (1)$
Slave to slave	$44 + 2.3 N (1)$	$29 + 1.15 N (1)$

In a distributed control system architecture the application-to-application response time depends not only on the communication system, but also on:

- The processing times of the message source and destination devices.
- The degree of asynchronism between the bus and processor cycle times.

This response time must be evaluated by the designer of each application according to the devices which are connected.

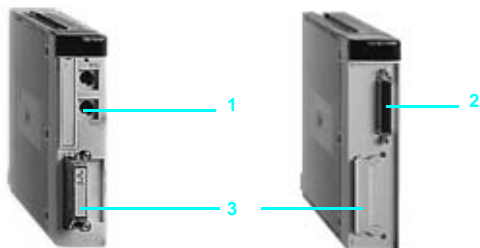
The processing time of a device may vary from one to two cycle times depending on the degrees of asynchronism.

### Description

#### TSX Micro/Premium PLCs



TSX Micro



Premium

TSX SCY 21601

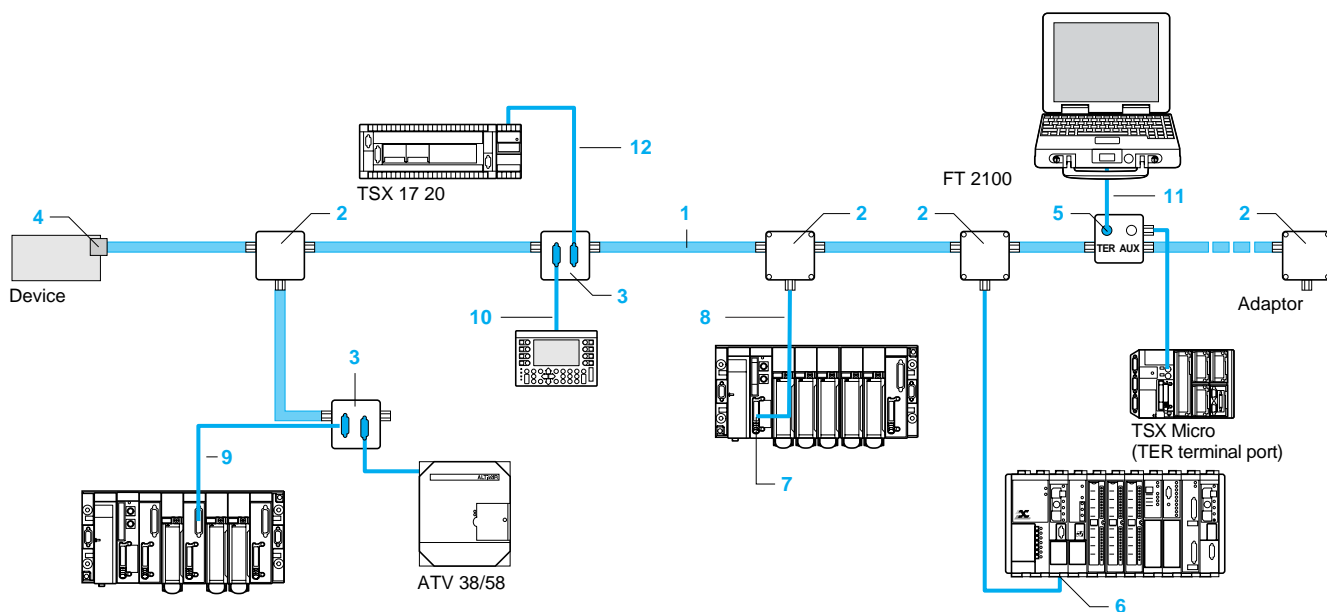
TSX Micro/Premium PLCs provide various ways of connecting to the Uni-Telway bus.

- 1 **By integrated TSX Micro/Premium processor or Atrium coprocessor port**  
The AUX port (2) (8-way mini-DIN) has one non-isolated RS 485 serial link channel (maximum distance 10 m).
- 2 **By TSX SCY 21601 integrated port for Premium PLC or Atrium coprocessor**  
This module has one Half-duplex isolated RS 485 serial link channel, which is multiprotocol, including Uni-Telway.
- 3 **Via multiprotocol PCMCIA card**  
A slot on the TSX 37 21/22/Premium PLC processors, the Atrium coprocessor and the TSX SCY 21601 module (3) accepts the following multiprotocol cards:

- TSX SCP 114 PCMCIA card  
Isolated RS 485/RS 422 link. This type of card corresponds to the Uni-Telway standard.
- TSX SCP 111 PCMCIA card  
Non isolated RS 232D link. This type of card can be used for direct point-to-point links or via Modem.
- TSX SCP 112 PCMCIA card  
20 mA current loop link. This type of card is used for a multidrop link (2 to 16 devices) and requires a 24V external power supply.

(1) N = Number of usable characters corresponding to the messages to be exchanged.  
(2) TER port for TSX 37 05/08/10 PLC.  
(3) This slot can also accept the TSX FPP 20 PCMCIA card for Fipway networks, or the TSX JNP 112/114 PCMCIA card for JNet networks.

### Uni-Telway bus wiring system



- 1 **TSX CSA ●●●**: bus cable, double shielded twisted pair. The shielding must be connected to the earth of each device.
- 2 **TSX SCA 50**: passive T-junction box, matches the impedance when it is installed at the end of the line.
- 3 **TSX SCA 62**: passive 2-channel Uni-Telway subscriber socket, is used for coding the address of two connected devices, and matching the impedance when it is installed at the end of the line.
- 4 **TSX SCA 60/61**: passive terminal block, used for intermediate devices that have a 15-way female SUB D connector:
  - TSX SCA 60 used for intermediate devices,
  - TSX SCA 61 used for end devices.
- 5 **TSX P ACC 01**: connection box, used for connecting a TSX Micro/Premium PLC to the Uni-Telway bus via the PLC terminal port. The connecting cable (length 1 m) is integrated in the connection box. It isolates the signals (for distances > 10 m) and is used to match the end of line impedance. It is also used to set the operation of the terminal port (Uni-Telway Master/Slave or character mode).
- 6 **TSX LES 64/74**: cable connectors for extensions to the Uni-Telway bus, used to connect TSX model 40 PLC processors that have an integral Uni-Telway port as standard. They are used for coding the address of the connected device.
- 7 **TSX SCP 114**: PCMCIA card for connecting TSX Micro (1)/Premium PLCs to the Uni-Telway bus.
- 8 **TSX SCP CU 4030**: Uni-Telway connecting cable between the TSX SCP 114 PCMCIA card (on TSX P57 ●0M processor or TSX SCY 21601 module) and the TSX SCA 50 junction box.
- 9 **TSX SCY CU 6530**: Uni-Telway connecting cable between the TSX SCY 21601 module integrated channel and the TSX SCA 62 subscriber socket.
- 10 **XBT-Z908**: Uni-Telway connecting cable between the CCX 17 and the TSX SCA 62 subscriber socket.
- 11 **TSX PCX 1031**: universal connecting cable between a PC compatible (COM port, 9-way SUB D connector) and the TER or AUX port for TSX Micro/Premium PLCs or the TSX P ACC 01 connection box (8-way mini-DIN connector).
- 12 **TSX CSC 015**: connecting cable between the TSX 17 micro-PLC (via a TSX 17 ACC 5 adaptor or a TSX SCG 1161 module) and TSX SCA 62 subscriber socket.

**TSX DG UTW F**: this manual describes the operating principles and the architectures of the Uni-Telway bus. It is required for setting up and installing the Uni-Telway bus.

**TSX DR NET F**: this manual describes the X-Way architectures, services and address mechanisms. It includes the coding of Uni-TE requests as well as precautions for connecting earths for the networks. It also includes the principles of asynchronous serial transmission.

(1) With TSX 37 21/22 PLCs.

# Modicon TSX Micro automation platform

## Uni-Telway bus



TSX Micro



TSX SCY 21601 TSX SCY 21601



TSX SCP 111



TSX P ACC 01



TSX SCA 50



TSX SCA 62



TSX SCA 72



TSX PCX 1031

### Elements for connection to Uni-Telway bus

Description	Protocol	Physical layer	PLC	Addr.	Reference (1)	Weight kg
<b>Integrated link on processor</b>	Uni-Telway Character mode	Non isolated RS 485	TSX Micro	–	See page 1/15	
			Premium	–	Consult our catalog "Modicon Premium automation platform"	
			Atrium	–	Consult our catalog "Modicon Premium automation platform"	
<b>Communication module</b>	Uni-Telway Modbus/Jbus Character mode	1 isolated 2-wire RS 485 integrated channel (channel 0), 1 PCMCIA card slot (channel 1) (2)	Premium Atrium	–	<b>TSX SCY 21601</b>	0.360
<b>Type III PCMCIA cards for Premium processors, Atrium coprocessors, TSX 37 21/22 PLCs, or TSX SCY 21601 modules</b>	Uni-Telway Modbus/Jbus Character mode	RS 232 D (9 signals) 0.3...19.2 Kbit/s		7	<b>TSX SCP 111</b>	0.105
				7	<b>TSX SCP 114</b>	0.105
				7	<b>TSX SCP 112</b>	0.105
		20 mA CL 1.2...19.2 Kbit/s				
<b>Set of X-Way drivers for PC compatibles</b>	Includes all the X-Way drivers see page 5/15		1 CD-Rom	–	<b>TSX CD DRV 20M</b>	–

### Uni-Telway bus connection accessories

Description	Use	Addr.	Reference	Weight kg
<b>Terminal port connection box</b>	Isolation of Uni-Telway signals for bus length > 10 m, end of line adaptation, bus cable tap links. Supplied with cable (1 m length) equipped with a mini-DIN connector (TER or AUX ports)	5	<b>TSX P ACC 01</b>	0.690
<b>Passive T-junction box</b>	Tap link and extension of bus cable,	2	<b>TSX SCA 50</b>	0.520
<b>Passive 2-channel subscriber socket</b>	2-channel tap link (15-way female SUB-D connector) and extension of bus cable, address coding and end of line adaptation	3	<b>TSX SCA 62</b>	0.570
<b>Active adaptation box RS 232C/RS 485</b>	Connection of an RS 232C device active adapter unit (using Uni-Telway protocol), adaptation and isolation of signals, end of line adaptation (no address coding)	–	<b>TSX SCA 72</b>	0.520

### Uni-Telway bus connecting cables (3)

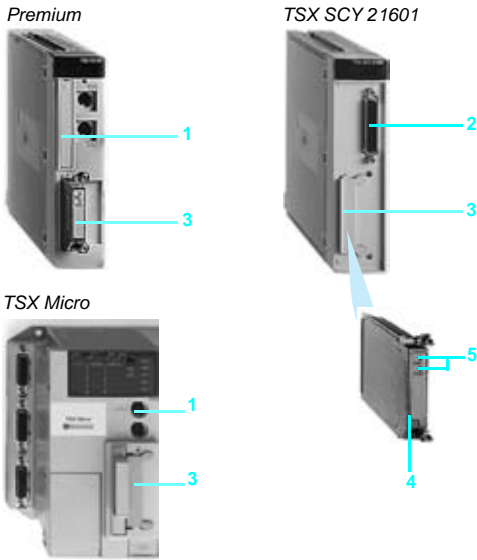
Description	Use	Addr.	Length	Reference (1)	Weight kg	
	<b>From</b>	<b>To</b>				
<b>Double shielded twisted pair RS 485 cables</b>	Uni-Telway bus	–	1	100 m	<b>TSX CSA 100</b>	5.680
				200 m	<b>TSX CSA 200</b>	10.920
				500 m	<b>TSX CSA 500</b>	30.000
<b>Cables for isolated RS 485 tap link</b>	TSX SCP 114 card	TSX SCA 50 T-jun. box	8	3 m	<b>TSX SCP CU 4030</b>	0.160
		TSX SCA 62 sub. sock.	–	3 m	<b>TSX SCP CU 4530</b>	0.180
		TSX SCY 21601 module integrated channel (channel 0)	–	3 m	<b>TSX SCP CU 6030</b>	0.180
		TSX SCA 50 T-jun. box	–	3 m	<b>TSX SCP CU 6030</b>	0.180
<b>RS 232 terminal port/peripheral device connecting cable</b>	TSX Micro/ Premium or Atrium port or TSX P ACC 01 box (TER or AUX)	RS 232D port for 9-way SUB D type PC compatible	11	2.5 m	<b>TSX PCX 1031</b>	0.170
		USB port of PC	–	2.5 m	<b>TSX PCX 3030</b>	–

(1) Product supplied with bilingual Quick Reference Guide: English and French.

(2) Type III PCMCIA type III slot for TSX SCP 111/112/114, TSX FPP 20 or TSX JNP 112/114 card

(3) For information on other connection cables, please see page 4/64.

### Presentation



TSX Micro/Premium PLCs provide, via their processor, coprocessor or TSX SCY 21601 communication module, several possible ways for exchanging data in character mode with devices equipped with an asynchronous serial link interface:

- RS 485 integrated port.
- Type III PCMCIA card with RS 232D, RS 485 (RS 422 compatible) or 20 mA current loop link.

Protocols supported are character mode (ASCII), Uni-Telway and Modbus. Other protocols are also available, or can be developed on request, on a RS 485 or RS 232D link, which enables TSX Micro/Premium PLCs to communicate on third-party architectures. These products are offered within the framework of the Schneider Alliances partnership programme. The list of modules available can be obtained from your Regional Sales Office, or from our Internet site [www.schneideralliances.com](http://www.schneideralliances.com).

### Description

#### Integrated links

##### 1 Via integrated port on the processor or coprocessor

The AUX (1) port (8-way mini-DIN connector) has one non-isolated RS 485 serial link channel (maximum distance 10 m).

##### 2 Via integrated port on the TSX SCY 21601 module

This module for Premium PLCs has one isolated RS 485 serial link channel (25-way SUB-D connector). Half duplex multiprotocol, including Uni-Telway.

#### TSX SCP 11● multiprotocol PCMCIA cards

3 A slot on the processor, coprocessor and on the TSX SCY 21601 module takes cards which comprise:

4 A removable cover with fixing screws for access to the 20-way miniature connector.

5 Two indicator lamps:

- ERR lamp: card or link fault,
- COM lamp: data transmission or reception.

Connector cable to be ordered separately:

TSX SCP C● ●●● cable.

(1) TER port for TSX Micro TSX 37 05/08/10 PLC.

### Characteristics

Type		Non isolated RS 485 terminal port	Isolated RS 485 TSX SCY 21601 integrated port (1)	PCMCIA cards RS 232D	PCMCIA cards RS 485 RS 422 Compatible	PCMCIA cards 20 mA current loop (3)
Physical layer	Data rate	1.2...19.2 Kbit/s (2)	1.2...19.2 Kbit/s (1)	0.3...19.2 Kbit/s	1.2...19.2 Kbit/s	
	Transmission	Size	120 characters	4096 characters max.		
Services		Data	7 or 8 bits			
		Stop bit	1 or 2 bits			
		Parity bit	Even, odd or none			
		Stop on silence				
		Reception echo				
		Repeat 1 <sup>st</sup> char. echo				
		Auto LF				
		Back space				
		Beep				
		Flow mgmt	by Xon-Xoff byRTS/CTS			
	RTS/CTS delay					
	Stop on reception					
	End of message					
	PSR management					

Parameters which can be accessed in configuration mode.

(1) For characteristics of the communication module integrated channel, consult our Modicon Premium automation platform catalogue.

(2) With the TSX P57 3●3/453 processor, data rate up to 115 Kbit/s during program uploading.

(3) Point-to-point or multidrop link.



# Modicon TSX Micro automation platform

## Asynchronous serial links



TSX Micro



Premium



TSX SCY 21601



TSX SCP 114



TSX P ACC 01



TSX PCX 1031

### References

#### Asynchronous serial link elements (character mode)

Description	Protocol	Physical layer	PLC	Reference (1)	Weight kg
Integrated link on processor	Character mode Uni-Telway	RS 485 non-isolated	TSX Micro	See page 1/15	–
			Premium	Consult our catalog "Modicon Premium automation platform"	–
			Atrium	Consult our catalog "Modicon Premium automation platform"	–
Communication module	Character mode Uni-Telway Modbus/Jbus	- 1 isolated RS 485 integrated chan. (channel 0), - 1 type III PCMCIA card slot (channel 1) (2)	Premium Atrium	<b>TSX SCY 21601</b>	–
Type III PCMCIA cards for TSX 37 21/22, PLC, TSX/PCX Premium processor or TSX SCY 21601 module	Character mode Uni-Telway Modbus/Jbus	RS 232 D (9 signaux) 0,3...19,2 K bits/s		<b>TSX SCP 111</b>	–
				<b>TSX SCP 114</b>	–
				<b>TSX SCP 112</b>	–
		RS 485 (compatible RS 422) 1,2...19,2 K bits/s			
		BC 20 mA 1,2...19,2 K bits/s			

#### Asynchronous serial link connection accessories

Description	Use	Length	Reference	Weight kg
Terminal port connection box	Isolation of RS 485 signals, end of line adaptation, supplied with cable for connection to PLC	1 m	<b>TSX P ACC 01</b>	0.690

#### Connecting cables for asynchronous serial links

Description	Use From	To	Length	Reference	Weight kg	
Cables for isolated RS 485 connection	TSX SCP 114 card	RS 485/RS 422 device (3)	3 m	<b>TSX SCP CX 4030</b>	0.160	
	Integrated channel (channel 0) module TSX SCY 21601	RS 485/RS 422 device (4) via TSX SCA 50 box	3 m	<b>TSX SCY CU 6030</b>	0.180	
Universal cable for terminal port/RS 232 device	TSX Micro/Premium/Atrium port (TER or AUX) or TSX P ACC 01 box	RS 232D of a terminal device (DTE) (5)	2.5 m	<b>TSX PCX 1031</b>	0.170	
		USB port of PC	2.5 m	<b>TSX PCX 3030</b>	–	
Cables for RS 232D connection	TSX SCP 111 card	Communication device: modem, converter, (DCE) (4)	3 m	<b>TSX SCP CC 1030</b>	0.190	
			Point-to-point terminal device (DTE) (4)	3 m	<b>TSX SCP CD 1030</b>	0.190
			10 m	<b>TSX SCP CD 1100</b>	0.620	
Cable for BC 20 mA connection	TSX SCP 112 card	Current loop device (3)	3 m	<b>TSX SCP CX 2030</b>	0.160	

(1) Product supplied with a bilingual Quick Reference Guide: English and French.

(2) PCMCIA type III slot can receive one TSX SCP 111/112/114, TSX FPP 20 or TSX JNP 112/114 card.

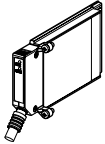

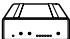
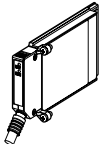
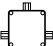
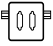
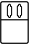

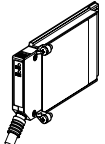

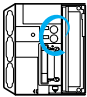
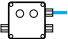
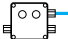
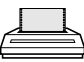
(3) End of cable fitted with flying leads.

(4) End of cable fitted with a 25-way male SUB-D connector.

(5) End of cable fitted with a 9-way male SUB-D connector. For use, to order separately one **TSX CTC 10** adaptor (9-way male SUB-D connector/25-way male SUB-D connectors).

# Modicon TSX Micro automation platform

## Connecting cables for PCMCIA cards and TER/AUX ports

TSX Micro/Premium PLC	Device to be connected	Physical link	Protocol	Length	Reference	Weight kg
<b>TSX SCP 111 PCMCIA card</b> 	DTE terminal <b>2</b>	RS 232D	Character mode	3 m	<b>TSX SCP CD 1030</b>	0.190
				10 m	<b>TSX SCP CD 1100</b>	0.620
	DCE terminal (Modem...) <b>2</b>	RS 232D	Character mode Uni-Telway	3 m	<b>TSX SCP CC 1030</b>	0.190
						
<b>TSX SCP 114 PCMCIA card</b> 	TSX SCA 50 T-junction box <b>3</b>	RS 485 (2-wire isolated)	Character mode Uni-Telway	3 m	<b>TSX SCP CU 4030</b>	0.160
						
		RS 422/485 (2-wire isolated)	Character mode Modbus	3 m	<b>TSX SCP CM 4030</b>	0.160
	TSX SCA 62 2-channel subscriber socket <b>4</b>	RS 485 (2-wire isolated)	Uni-Telway	3 m	<b>TSX SCP CU 4530</b>	0.160
						
	TSX SCA 64 2-channel subscriber socket <b>4</b>	RS 422/485 (2/4 wire)	Modbus	3 m	<b>TSX SCP CM 4530</b>	0.180
						
	DTE Terminal <b>3</b>	RS 422/485 (4-wire)	Modbus	3 m	<b>TSX SCP CX 4030</b>	0.160
						
<b>TSX SCP 112 PCMCIA card</b> 	Active or passive terminal <b>3</b>	20 mA current loop	Character mode Uni-Telway Modbus	3 m	<b>TSX SCP CX 2030</b>	0.160
						
<b>TER/AUX ports</b> 	TSX P ACC 01 junction box <b>1</b>	RS 485	Uni-Telway	1 m	Included with TSX P ACC 01	
						
	TSX P ACC 01 junction box <b>5</b>	RS 485	Uni-Telway	2 m	<b>T FTX CB1 020</b>	0.100
						
				5 m	<b>T FTX CB1 050</b>	0.190
	DTE terminal (PC, printer) <b>6</b>	RS 232	Character mode	2,5 m	<b>TSX PCX 1031 (1)</b>	0.170
						
	<b>7</b>	RS 232	Character mode	2,5 m	<b>TSX PCX 3030</b>	–

**1** 25-way male miniature connector.

**2** 25-way male SUB-D connector.

**3** Flying leads.

**4** 15-way male SUB-D connector.

**5** 8-way female mini-DIN connector.

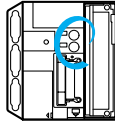





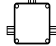
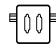

**6** 9-way female SUB-D connector.

**7** USB type connector.

(1) Separate parts see page 4/67.

# Modicon TSX Micro automation platform

## Connecting cables for PCMCIA cards and TER/AUX ports

TSX Micro/Premium PLC	Device to be connected	Physical link	Protocol	Length	Reference	Weight kg
<b>TER/AUX ports</b> (contin.) 	DTE terminal (slave PC ) 	RS 232 2 RS 485	Uni-Telway	2.5 m	<b>TSX PCX 1031</b>	0.170
		3 RS 232 RS 485	Uni-Telway	2.5 m	<b>TSX PCX 3030</b>	—
	DTE terminal (printer, slave PC without RTS) 	RS 232 2	Character mode Uni-Telway	2.5 m	<b>TSX PCX 1031 (1)</b>	0.170
		3 RS 232	Character mode Uni-Telway	2.5 m	<b>TSX PCX 3030</b>	—
	DCE terminal (Modem M/Sl. USA/Europe) 4 	RS 232	Character mode Uni-Telway	3 m	<b>TSX PCX 1130 (2)</b>	0.140
<b>CCX 17, panel, XBT terminal</b> 5 		RS 485	Uni-Telway	2.5 m	<b>XBT Z968</b>	0.180
				5 m	<b>XTB Z9681</b>	0.340
<b>TSX SCY 21601 communication module integrated port</b> 5 	TSX SCA 50 T-junction box 6 (2-wire isolated) 	RS 485	Uni-Telway	3 m	<b>TSX SCY CU 6030</b>	0.180
			Modbus/Jbus	3 m	<b>TSX SCY CM 6030</b>	0.180
	TSX SCA 62 2-channel subscriber socket 7 	RS 485 (2-wire isolated)	Uni-Telway	3 m	<b>TSX SCY CU 6530</b>	0.200
	RS 485 terminal 6 	RS 485 (2-wire isolated)	Character mode	3 m	<b>TSX SCY CM 6030</b>	0.180

### Separate parts

Description	Description	Reference	Weight kg
<b>SUB-D adapter</b>	9-way male SUB-D connector/25-way female SUB-D connectors	<b>TSX CTC 07</b>	0.060
	9-way male SUB-D connector/25-way male SUB-D connector	<b>TSX CTC 10</b>	0.060

1 8-way female mini-DIN connector.

2 9-way female SUB-D connector.

3 USB type connector.

4 9-way male SUB-D connector.

5 25-way male SUB-D connector

6 Flying leads.

7 15-way male SUB-D connector

(1) To be ordered separately: **TSX CTC 07** and **TSX CTC 10** adapters, see above separate parts.

(2) Point to point, supplied with 1 SUB-D adapter: **TSX CTC 09** 9-way female/25-way male SUB-D connector.



---

**5 - PL7 software and Magelis terminals**

*Selection guide PL7 programming software . . . . . page 5/2*

- PL7 Micro/Junior/Pro programming software . . . . . page 5/4
- PL7 SMC application converter software . . . . . page 5/20
- PL7 DIF application comparison software . . . . . page 5/22
- Logiciel SDKC C language development software . . . . . page 5/24
- PL7 FUZ fuzzy logic processing software . . . . . page 5/26
- FTX 117 Adjust terminal . . . . . page 5/28

*Selection guide XBT Magelis dialog terminals . . . . . page 5/30*

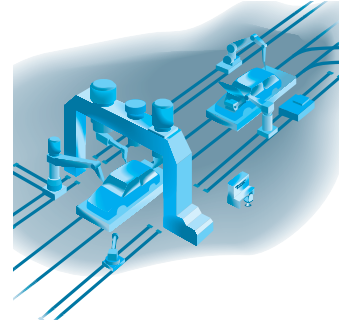
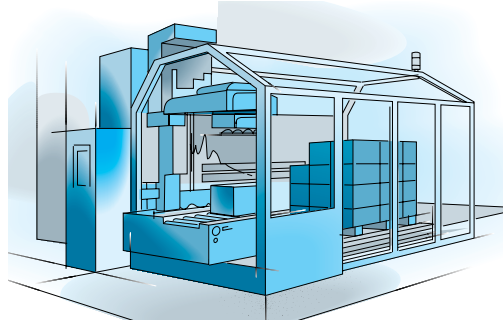
*Selection guide XBT-F/G Magelis terminals with graphic screen . . . . . page 5/32*

# Modicon TSX Micro automation platform

## Programming softwares

**Applications**

Application development and installation



**Type of PLC**

TSX Micro

TSX Micro/Premium/Atrium

**Services**

Programming
Debugging
Adjustment
Instruction list
Ladder language
Grafcet language
Structured text language
DFBs function blocks
Functional view
Import/export of function modules
Diagnostic DFBs
Runtime screens

Yes
Yes
Yes
Yes
Yes
Yes
Yes
Yes
No
No
No
No
No
Yes (with macro-steps for Premium)
Yes
Use (for Premium/Atrium)
Creation/use for Premium/Atrium
Yes (Premium/Atrium)
Yes (Premium/Atrium)
Yes (Premium/Atrium)
Creation/use

**Functions**

Development debugging of applications with:

- A browser accessing all the application components
- Dedicated editors
- Two types of application structure: single task or multitask
- Master and fast tasks divided into sections
- Possibility of selecting the desired language in each section
- Debugging simplified by automatic creation of animation tables

For Premium:

- Use of Grafcet macro-steps
- Application split into function modules
- Use of function blocks: DFBs reusable in any application in order to improve application legibility and development

- Creation of runtime screens (synoptics, text, values) which are displayed depending on the state of the process in order to simplify operation and control of an installation
- Diagnostic "viewer"

**Name of software**

PL7 Micro

PL7 Junior

PL7 Pro

**Type of software**

TLX CD PL7M P 43M

TLX CD PL7J P 43M

TLX CD PL7P P 43M

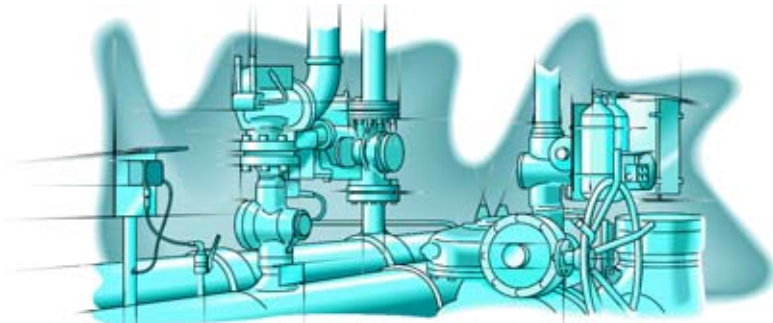
**Pages**

5/18

5/19

5

Application conversion	Development of functions in C language	Comparison of PL7 Premium applications	Availability of Premium applications	Development of a multi-PLC data server
------------------------	--	--	--------------------------------------	--



	Premium/Atrium			Nano/TSX Micro/ Premium/Atrium Quantum/Momentum/ TSX Series 7/April
--	----------------	--	--	--

<p>Conversion of SMC PLC applications for TSX Micro/Premium PLC applications:</p> <ul style="list-style-type: none"> <li>■ Selection of sequences to translate into Ladder language.</li> <li>■ Conversion of symbol database.</li> <li>■ Reassignment of I/O</li> <li>■ Conversion report.</li> </ul> <p>PL7 Junior/Pro software required.</p>	<p>Enhances the library of PL7 functions by developing functions in C language:</p> <ul style="list-style-type: none"> <li>■ Creation of functions families.</li> <li>■ Development of functions in C language.</li> <li>■ Debugging of functions (step by step, breakpoints, ...)</li> <li>■ Generation of disks for installation on over PL7 stations.</li> <li>■ Use of new functions in applications.</li> </ul>	<p>Automatic comparison of 2 Premium applications with identification of all the differences.</p> <p>PL7 Pro software required.</p>	<p>Continuity of operation in a Premium PLC redundant architecture automate Premium.</p> <p>Possible to have shared I/O on a Fipio bus or redundant I/O</p> <p>Typical "Normal/Backup" changeover time: 1 to 2 s</p>	<p>Development of a multi-PLC data server accessible by "Client" applications:</p> <ul style="list-style-type: none"> <li>■ Access to server in local or remote mode.</li> <li>■ Access to variables in the form of symbols in one or more PLCs.</li> <li>■ Management of Uni-TE and Modbus protocols.</li> <li>■ Programming in Visual Basic or C++.</li> <li>■ Simulates access to variables for debugging.</li> </ul>
<b>PL7 SMC</b>	<b>PL7 SDKC</b>	<b>PL7 DIF</b>	<b>Warm Standby</b>	<b>OFS</b>
<b>TLX LC SMC PL7 40M</b>	<b>TLX L SDKC PL7 41M</b>	<b>TLX CD PL7 DIF 4EF</b>	<b>TLX CD WSBY P 40F</b>	<b>TLX CD OFS 25M</b>
5/21	5/25	5/23	Consult our Modicon Premium automation platform catalogue	

Other software:

- PL7 FUZ, software for fuzzy logic processing for TSX Micro/Premium platforms: TLX L PL7 FUZ 34 M, see page 5/27.
- SyCon, CANopen machine bus configuraor (TSX Micro/Premium) and INTERBUS fieldbus (Quantum) and Profibus DP (Premium/Quantum): SYS SPU LF● CD28M, see page 4/25.

# Modicon TSX Micro automation platform

## PL7 Micro/Junior/Pro programming software

To meet the evolving hardware and software needs of our customers, Schneider Electric introduces PL7 version 4.4 programming software for the Modicon TSX Micro and Modicon Premium platforms.

### Modicon TSX Micro automation enhancements



TSX CPP 110

#### CANopen connectivity

Micro TSX 37 21 and 37 22 PLC communications are enriched with the addition of a CANopen machine bus, made possible through the use of a PCMCIA card equipped with a cable (length 0.5m) and a tap junction (with 9-way SUB-D connector). This **TSX CPP 110** kit allows a direct link to the bus and ensures the role of the master on the CANopen bus. The PCMCIA card is inserted into the reserved communication card slot that is available on the TSX 37 21 and TSX 37 22 CPU.

#### Extension memory size

In order to extend the memory of existing applications or to create more complex applications, the memory capacity of TSX 37 21/22 PLCs can be extended from 64 Kwords to 128 Kwords (program and constants). The CPU bases are capable of receiving 3 different memory cards:

- 128 Kwords application RAM memory TSX MRP 0128P.
- 128 Kwords application Flash EPROM memory TSX MRF 0128P.
- 128 Kwords application and 128 Kwords data storage RAM memory TSX MRP 2128P.

#### SyCon configuration software for CANopen machine bus

A version of PL7 Micro programming software (1-station) is available with SyCon configuration software for the CANopen machine bus (reference TLX CD PL7M PC44M).

### Modicon TSX Premium automation enhancements



TSX CSY 164



TSX WMY 100

#### CANopen connectivity

■ The Premium TSX P57 103M low-end processor has CANopen machine bus connectivity via the use of the new **TSX CPP 110** PCMCIA card (see "CANopen connectivity" for TSX Micro platform, above). This new card is compatible with all Premium processors and Atrium coprocessors (except TSX P57 153M processor with embedded Fipio bus link).

#### New application-specific modules:

- **TSX CSY 164** SERCOS motion control module. PL7 version 4.4 Junior/Pro software makes it possible for this module to individually declare the 16 channels as real axes, imaginary axes or remote axes. This new 16-channel module is in addition to the current **TSX CSY 84** module with 8 real axes.
- **TSX WMY 100** FactoryCast HMI Ethernet module. This new Ethernet TCP/IP module with embedded Web server offers additional HMI web services compared to current modules (TSX ETH 110WS/4103/5103). New features include acquisition of PLC data in the HMI database of the module, Email with automatic messaging on events, math and logic functions, and connection to relational databases.

### PL7 Micro Junior/Pro software version 4.4 software enhancements



PL7 version 4.4 enables new TSX Micro/Premium modules to take advantage of additional functionalities:

- PL7 software registrations by the Internet, electronic mail, fax or phone (obligatory registration before 22nd day).
- Change in the Fipio catalogue for Momentum distributed I/O.
- Transfer of PL7 user rights between PCs via floppy disk or network.
- Enriched export files of the data application (FEF) for better compatibility with Unity software after migration.

PL7 Micro Junior/Pro software packages are offered according to two alternatives depending on the type of PLCs/PC cable: connection on the RS 232C port, or the USB port of a PC.



# Modicon TSX Micro automation platform

## PL7 Micro/Junior/Pro programming software



### Presentation

PL7 Micro/Junior/Pro software packages are designed for Windows 2000 Professional and Windows XP (1) operating systems and therefore benefit from all the facilities relating to these:

### Ergonomics of the software

More user-friendly and productive ergonomics thanks to:

- Access to contextual menus by right-clicking with the mouse for fast access to the services available for the selected object.
- Contextual help: direct access to help corresponding to the selected object.
- Tool tips: explanatory messages appear when skimming over the toolbar buttons.

Furthermore, some important functions make the software easier and safer to use:

### Multi-instance

The multi-instance function enables several applications to be worked on simultaneously.

This function enables:

- Several different applications present on the PC to be opened in offline mode in order to check or copy data.
- Debugging of two (or more) applications on two PLCs present on the same network in on-line mode. This is particularly useful when debugging inter-PLC communication functions.

### Management of access rights

Use of the various PL7 software functions can be limited and controlled by managing the access rights.

There are 5 user profiles (differentiated by passwords) which characterize the functions available to users on the programming terminal. The profiles range from read-only access to an application (lowest profile) to full programming (profile with the most rights).

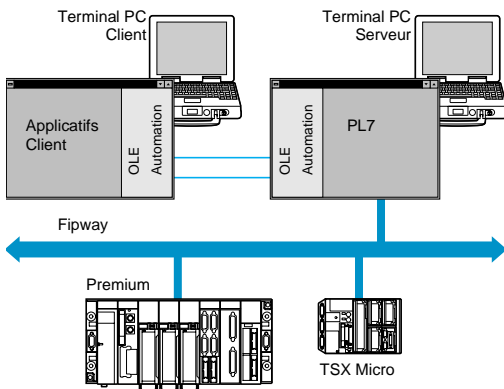


### Application server

PL7 Pro software can be launched in OLE Automation server mode from a third-party client application. In this case, certain PL7 program functions can be executed following commands sent by an OLE client application. This instance of the program then no longer reacts to commands from the operator keyboard. Server mode can be launched in offline mode (COM) if both programs are on the same machine, or in remote mode (DCOM), if the programs are installed on different machines.

The commands available are as follows:

- Manage an execution context (open/close an application, modification of the address and driver of the connected PLC; PLC status).
- Control the PLC (connection/disconnection, send a RUN/STOP/INIT command, program uploading/downloading).
- Read data (application or symbol export only in source format, read symbol/comment associated with an address, read application identity).



(1) However, compatibility with the Windows 95 operating system is no longer provided and USB port is not compatible with Windows 95 and Windows NT 4.0.

# Modicon TSX Micro automation platform

## PL7 Micro/Junior/Pro programming software

5

### Application creation and debug tools

#### Application browser (conventional view)

Access to all programming and debug tools is gained via the application browser. This gives a global view of the program and enables all the application components to be accessed quickly via contextual menus.

- 1 Configuration editor.
- 2 Program editor.
- 3 DFB user function block editor.
- 4 Variable editor.
- 5 Animation table editor.
- 6 Documentation editor.
- 7 Operating screen editor.

#### Concept of sections and Grafcet enhancement

In order to make programs more comprehensible, the FAST and MAST tasks are split into sections.

Each section 1 has a name, a comment and is programmed in one of the four languages available in PL7.

A section programmed in Grafcet language can contain a main chart 2 and macro-steps 3. Version ≥ V4.0 of PL7 allows comments to be added to each macro-step.

To protect intellectual property or avoid any unwarranted modification, each section can be write-protected or read/write-protected.

#### Function views of an application

PL7 Pro software can be used to structure an application for a Premium platform into functional modules that are broken down into sections (program code), animation tables and operating screens. Independently of the multitask structure of the PLC, the designer can define a multilevel tree structure of the automation application.

At each level, it is possible to attach program sections written in Ladder language (LD), Structured Text (ST), Instruction List (IL), Grafcet (SFC), and animation tables.

Two types of view are available at all times:

- A representation showing a tree structure of modules can provide a breakdown according to consistent functions in relation to the process to control.
- The classic representation of the application browser provides a view of the execution order of the program sections for each PLC.

The operation services associated with the functional view are available in one or the other view. In particular, a single command can be used to force whether or not a functional module is executed.

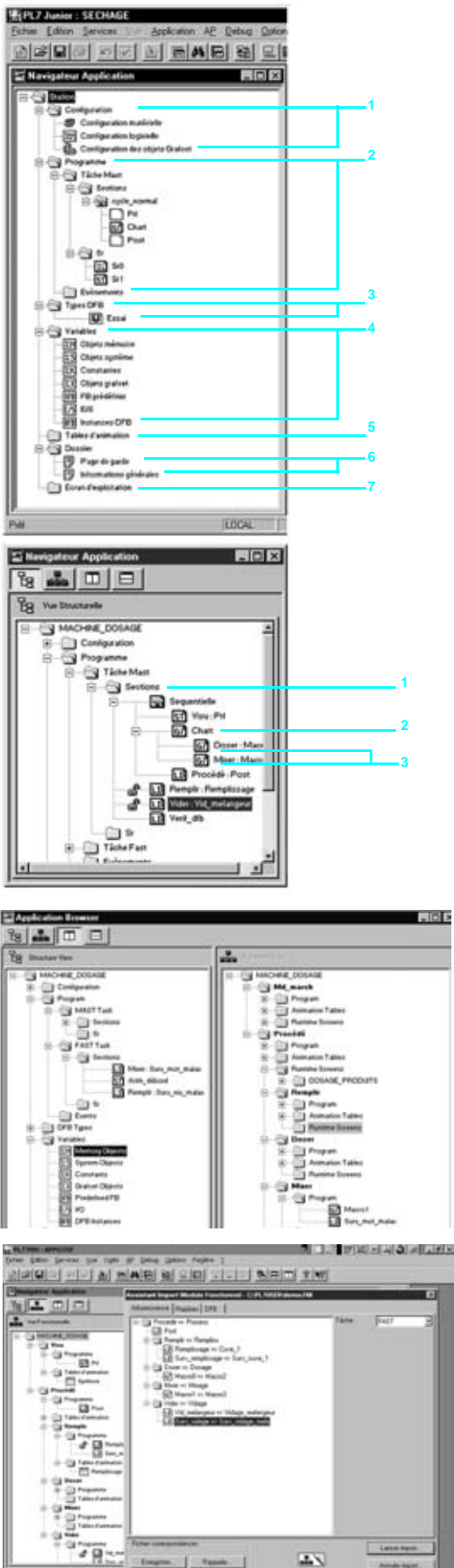
In this case, every section attached to the functional module is automatically forced.

#### Exporting/importing functional modules

All or part of the tree structure can be exported into functional modules.

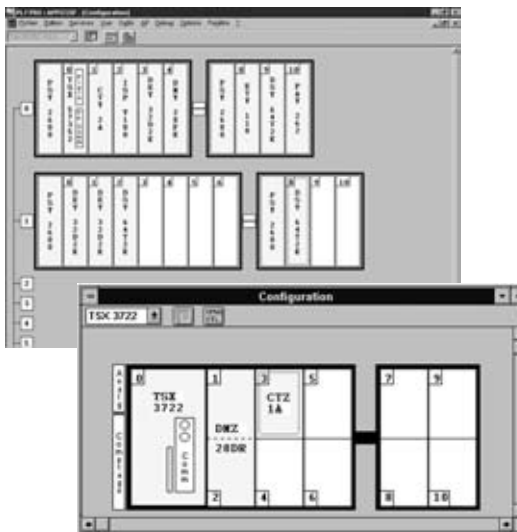
In this case, all program sections of the different module levels are exported.

During an import, an assistant can be used to reassign the data associated with the module in stages.



# Modicon TSX Micro automation platform

## PL7 Micro/Junior/Pro programming software



### Configuration editor

#### Hardware configuration

The configuration editor intuitively and graphically enables the declaration and configuration of the various components of the TSX Micro/Premium PLC application:

- Processor, coprocessor.
- Tasks.
- Application-specific I/O modules.
- Memory.
- ...

By clicking on an unconfigured position, the display of a dialog box shows the available I/O modules, classed according to family.

Once the various modules are positioned, selecting them accesses parameter entry for each module.

#### Software configuration

The configuration editor can also be used to set the software parameters of the application: choice of the number of constants, number of internal words and the number of each type of function block.

The configuration editor provides access to parameter entry for the function blocks. The copy/paste function for these parameters is available from version  $\geq$  V4.0 of the PL7 software onwards.

#### Configuration of Grafcet objects

When programming in Grafcet language, the configuration editor can define Grafcet objects (steps, macro-steps, etc.) and execution parameters (number of steps and active transitions).

#### Setup of application-specific functions

A number of tools are provided as standard for setting up the various applications: discrete I/O, analog I/O, counting, motion control (1), man-machine interface (MMI), communication, weighing (1), Warm Standby redundancy (2).

The parameter screens for the application-specific functions are accessed from the I/O configuration screen by clicking on the position in which the module has been defined.

The screens enable the main operating characteristics of the chosen application to be defined, for example:

- Filter values for discrete I/O.
- Voltage or current range for analog I/O.
- Threshold values for counting.
- Path of axes for position control.
- Calibration change during weighing.
- Transmission speed for communication.

(1) PL7 Junior/Pro function available on a Premium platform.

(2) PL7 Junior/Pro function available on a Premium platform based on a TSX P57 353/453 processor (version with integrated Fipio link).



### Software structure

PL7 Micro/Junior/Pro software offers two types of structure:

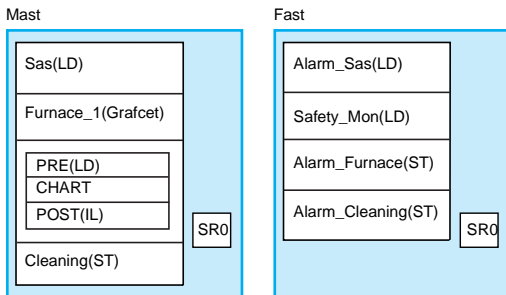
- **Single task:** this is the simplified structure offered by default, where a single master task consisting of a main program, comprising several sections and subroutines, is executed.
- **Multitask:** this structure, which is better suited to high-performance real-time applications, consists of a master task, a fast task and event-triggered tasks, which have the highest priority. Master and fast tasks are divided into sections.

### Structured and modular programming

PL7 program tasks comprise several parts called sections and subroutines. Each section can be programmed in the appropriate language for the processing to be carried out.

Such division into sections enables a structured program to be created and program modules can easily be generated or added.

Subroutines can be called from any section of the task to which they belong or from other subroutines in the same task.



### Simple task software structure

There are two types of cyclic execution:

- **Normal cyclic execution.** This is the default option.
- **Periodic execution.** This type of execution, as well as the period, are selected by the user during configuration.

### Normal execution (cyclic)

At the end of each scan, the PLC system launches the execution of a new scan. The execution time of each scan is monitored by a software watchdog whose value is defined by the user.

In the event of overrun, a fault occurs causing:

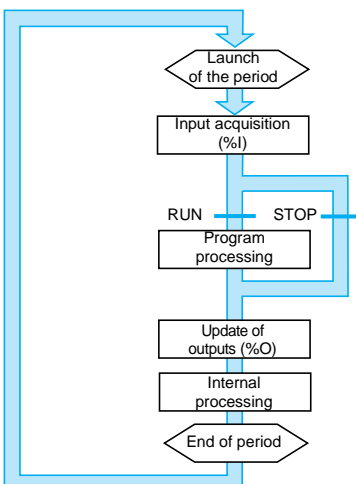
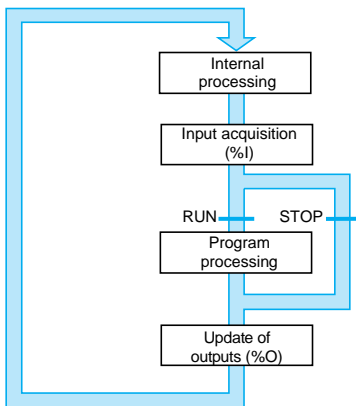
- The scan to stop immediately (STOP).
- A display on the front panel of the PLC.
- The alarm relay of the main rack power supply to be set to 0.

### Periodic execution

A new scan is executed at the end of each period. The execution time of the scan must be less than the time of the period defined (1 to 255 ms). In the event of overrun, the latter is stored in a system bit (%S19), which can be set to 0 by the user (by program or by the terminal).

A software watchdog which can be configured by the user monitors the scan time. In the event of overrun, an execution fault is signaled (see normal execution).

5



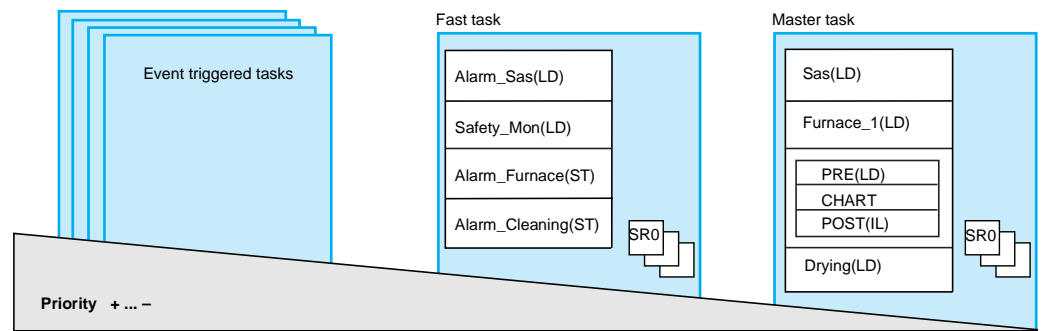
### Multitask software structure

PL7 Micro/Junior/Pro software offers a Multitask software structure, consisting of:

- A master task (divided into sections, one of which may contain Grafcet).
- A fast task (divided into sections).
- One or more event-triggered tasks (only one section per task).

These tasks are independent and are executed in "parallel", with the PLC processor managing the execution priority. When an event occurs, or at the start of the fast task cycle:

- The current execution of lower priority tasks is stopped.
- The event-triggered task or the fast task is executed.
- The interrupted task takes over again when processing of the priority task is completed.



This structure can optimize use of the processing power, and can be used to structure the application and simplify design and debugging, as it is possible to write and debug each task independently of the others.

### Master task

This compulsory task, which executes the main program, is periodic or cyclic (see single task structures). It is activated systematically. It is intended for sequential processing. Each section can be programmed in Ladder, Structured Text or Instruction List language. One section is dedicated to Grafcet language; when this language is chosen, 3 processing operations are proposed:

- Preliminary processing (PRE) is programmed in Ladder, Structured Text or Instruction List language and processes initializations on power return, operating mode modifications, input logic.
- Sequential processing (CHART) includes the graphic transcription and management of Grafcet charts. It provides access to processing of the actions and transition conditions.
- Post-processing (POST). This is programmed in Ladder, Structured Text or Instruction List language and is used to process all the instructions from the 2 preceding processing operations and the indirect safety functions specific to the outputs.

### Fast task

This task, which is higher priority than the master task, is periodic in order to leave time for execution of the lower priority task. Processing operations in this task must be as short as possible so as not to adversely affect the master task. It is useful when fast periodic changes in discrete inputs need to be monitored.

Each section of this task can be programmed in Ladder, Structured Text or Instruction List language.

### Event triggered tasks

Unlike the tasks described above, these tasks are not linked to a period. Their execution is triggered by an event occurring in an application-specific module (eg.: overrun of a counter threshold, change in state of a discrete input). These tasks have higher priority than all other tasks, and they are therefore suitable for processing operations requiring very short response times to the occurrence of an event.

They can be programmed in Ladder, Structured Text or Instruction List language.

### Number of EVTi control events:

- TSX Micro PLCs: 8 events with TSX 37 10 and 16 events with TSX 37 21/22.
- Premium PLCs: 32 events with TSX 57 10 and 64 events with TSX 57 20/30/40 and PCX 57 20/30.

TSX Micro TSX 37 21/22 and Premium PLCs have 2 priority levels (EVT0 event has priority over other EVTi events).

## Ladder language (LD)

### Program structure (section, SR or event-triggered task)

Programs written in Ladder language consist of a series of rungs which are executed sequentially by the PLC. Each rung may be:

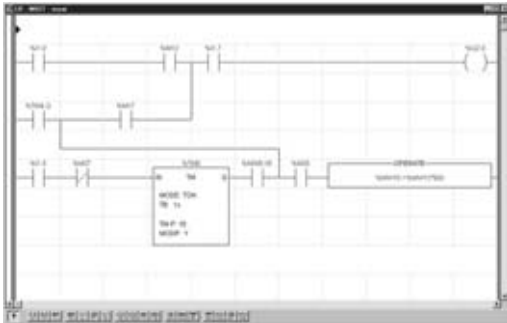
- Identified by a label.
- Completed by a comment of up to 222 characters.

A rung consists of 7 lines on TSX Micro and 16 lines on Premium, with 11 columns, allowing a maximum of 10 contacts and one coil per line.

### Program editor: Ladder language

The Ladder language editor offers several tools for constructing rungs in a user-friendly way:

- A palette of graphic elements for direct access to the various graphic symbols of the language via the mouse or the keyboard: contacts, Boolean logic, coils, operation blocks, predefined function blocks...



- A rung can be drawn without having to fill in each element.
- The language objects can be entered and displayed in either symbol or address format.
- The symbol and address of each object can be displayed simultaneously.
- A rung is constructed simply by selecting the symbol from the graphic palette and placing it in the correct position in the grid on-screen.
- An automatic link line function optimizes the number of user actions.

The Ladder language editor is used to call up immediately the functions which assist data entry:

- Access to function libraries.
- Access to the variables editor.
- Cut, copy, paste.

## Structured Text language (ST)

Structured Text language is a sophisticated algorithmic type language which is particularly suitable for programming complex arithmetic functions, table operations, message handling, etc.

### Program structure (section, SR or event-triggered task)

Structured Text language enables direct transcription of a flowchart analysis and is organized into statements. Each statement consists of a label (1000 labels max), comments (256 characters max) and instructions.

There are four methods for controlling statements:

- Conditional action IF.
- Conditional iterative action WHILE (action repeated while a condition is true).
- Conditional iterative action REPEAT (action repeated until a condition is true).
- Repetitive action FOR (action repeated a certain number of times).

### Program editor: Structured Text language

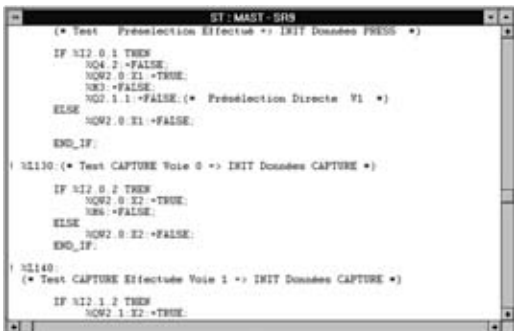
The editor enables statements to be entered one after another.

The editor provides help with entering:

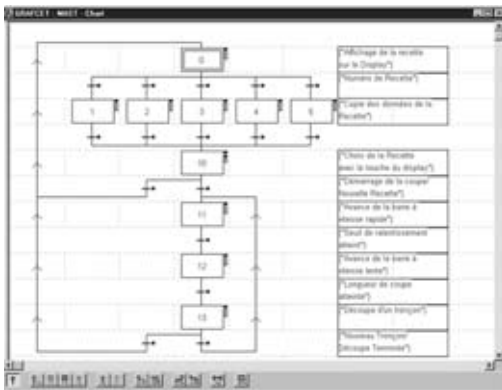
- Modifications, insertion, etc.
- Cut, copy, paste.

Objects can be entered and displayed in either symbol or address format.

Different colors are used for the objects, language key words and program comments to make it easier to read.



TSX Micro PLC	Premium PLC
<ul style="list-style-type: none"> <li>96 steps maximum on 8 pages for TSX 37-10 and 128 steps for TSX 37-21/22</li> <li>1024 transitions maximum</li> <li>11 elements maximum per divergence/convergence</li> </ul>	<ul style="list-style-type: none"> <li>maximum of 250 steps on 8 pages</li> <li>64 macro-steps of 250 steps.</li> <li>A "generic" comment can be associated with each macro-step</li> <li>1024 transitions maximum</li> <li>11 elements maximum per divergence/ convergence</li> <li>1024 steps maximum in the application</li> </ul>



## Grafcet language (SFC)

Grafcet language is used to describe, in a simple and graphic manner, the sequential part of control systems. It corresponds to the SFC "sequential function chart" language described in standard IEC 1131-3.

### Structure of the section in the master task

Grafcet SFC language is only used in one section of the master task.

This is structured in three processing operations, see page 5/8.

Programs written in Grafcet SFC language consist of:

- Macro-steps (1) which are the only representation of a set of steps and a transition.
- Steps, with which the actions to be executed are associated.
- Transitions, with which the conditions are associated (transition conditions).
- Directed links, connecting the steps and transitions.

See characteristics page 5/16.

The actions (continual, pulsed on activation or deactivation) and transition conditions can be programmed in the desired language: Ladder, Structured Text or Instruction List.

### Program editor: Grafcet SFC language

The editor offers 8 pages, each consisting of 11 columns and 14 lines, giving 154 cells per page.

A palette of graphic objects is used for direct access to each graphic symbol (macro-steps, steps, transitions, sequence selection, simultaneous activation/deactivation and connectors).

Programming of the transition conditions and actions is performed simply by clicking on the required chart element.

On a Grafcet page, comments of up to 64 characters can be entered in any cell. Functions which assist entry: cut, copy, paste, etc. are available to the user.

## Instruction List language (IL)

Instruction List language is a language representing, in the form of text, the equivalent of a Ladder diagram. It is used for writing Boolean equations and making use of the functions available in the language.

### Program structure (section, SR or event-triggered tasks)

A program in Instruction List language comprises a sequence of instructions from the following different families:

- Bit instructions, for example read input n° 3: **LD %I1.3**.
  - Instructions on function blocks, for example start timer n° 0: **IN %TMO**.
  - Numerical instructions on single, double and floating point integers, for example, perform an addition: **[%MW10:= %MW50 + 100]**.
  - Instructions on word tables, character strings, for example, perform an assignment: **[%MW10:10:=%KW50:10]**.
  - Program instructions, for example, call subroutine n° 10: **SR10**.
- Each instruction is composed of an instruction code and a bit or word type operand.

### Program editor: Instruction List language

As in Ladder language, instructions are organized into sequences of instructions (equivalent to a rung). Each sequence of instructions can be identified by a label %Li, with i being from 0 to 999 and accompanied by a comment of 222 characters maximum.

Each sequence of instructions is composed of one or more test instructions. The result of these instructions is applied to one or more action instructions.

Objects can be entered and displayed in either symbol or address format.

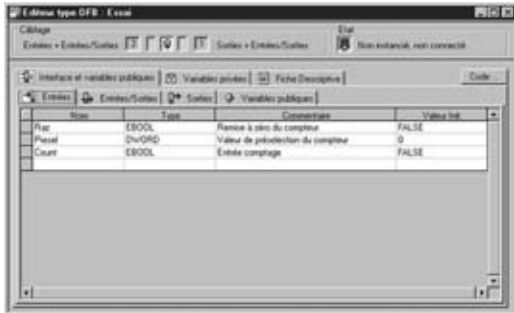
The editor provides help with entering data.

(1) With Premium PLCs only.



# Modicon TSX Micro automation platform

## PL7 Micro/Junior/Pro programming software



### Functions

#### User DFB function blocks

PL7 Pro software offers the user the possibility (for Premium PLCs) of creating their own function blocks which meet the particular needs of their applications. Once they have been created in the library, these function blocks can be used with PL7 Junior/Pro software.

These user function blocks enable an application to be structured. They are used as soon as a program sequence is repeated several times in the application or to freeze a standard type of programming. They can be exported to all other PL7 applications. Using a DFB function block in one or more applications enables:

- Simplification of program entry and design.
- Improved program readability.
- Easier debugging (all variables handled by the DFB function block are identified on its interface).
- Use of DFB-specific internal variables (independent of the application).

A DFB derived function block is set up in three phases:

- Design of the DFB which has a name, parameters (I/O), variables and code in Structured Text or ladder language.
- Creation of a DFB instance in the variables editor or when calling the function in the program editor.
- Using this instance in the program in the same way as a standard function block.



#### Variables editor

The variables editor is used to:

- Symbolize the various application objects (bits, words, function blocks, I/O, ...).
- Define the parameters of the predefined function blocks (timers, counters, registers etc.).
- Enter the values of the constants and select the display base (decimal, binary, hexadecimal, floating point, message).

Each symbol (32 characters max, accented characters are permitted) can be accompanied by a comment (508 characters max).

Editing services are available in the editor:

- Find/replace an object in a part of the program or in a set of function modules (PL7 Pro).
- Find a character string in a list of symbols or comments.

Version ≥ V4.0 of PL7 offers enhanced functions due to:

- Copy/paste function for one or more symbol(s) and comments.
- Display in plain language of the overlap of different types of variable on a single memory address (for example, single and double format internal words, %MW0/%MD0).
- Highlighting of objects used by the application program.
- Opening the application variable database to third-party tools by importing/exporting text files (.txt). This new function makes it possible to create/modify application databases using a third-party software (for example TSX Microsoft Excel) that has extended edit functions.



#### Animation table

Tables containing the application variables to be monitored or modified can be created by entering them or automatically initialized from the selected phrase or rung.

Variables can then be:

- Modified.
- Forced to 0 or 1 for bit objects.

For each numerical variable, it is possible to select the display base (decimal, binary, hexadecimal, floating point, ASCII message).

Version ≥ V4.0 of PL7 offers new options for animation tables:

- Display of the comment associated with variables.
- Assignment of a single value to a number of variables.
- Change of display format for a number of variables.
- Display of the list of forced bits.

5



# Modicon TSX Micro automation platform

## PL7 Micro/Junior/Pro programming software



### Documentation editor

The documentation editor is built around the Documentation Browser which displays the contents of the documentation file in a tree structure.

It can be used to print all or part of the application documentation file on any graphic printer which can be accessed in Windows and uses True Type technology, in A4 or US letter print formats.

The documentation editor is used to define:

- A title page, including the name of the designer and project.
- General information pages.
- A footer.

The documentation editor automatically generates:

- The contents.
- The application documentation file: hardware and software configuration, program with its comments (including those relating to the macro-steps and subroutines).
- The list of variables sorted by address or symbol.
- The cross-references, sorted by address or symbol.



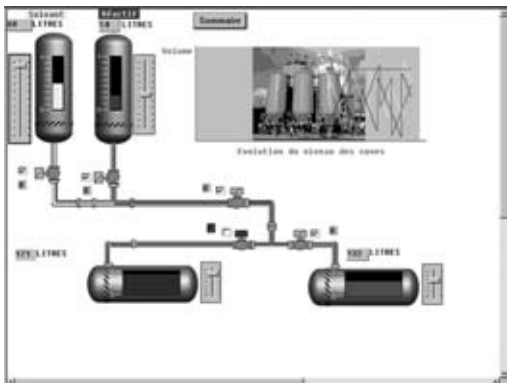
### Runtime screens

The runtime screen tool is integrated in PL7 Pro software (creation and use of screens). It is intended in particular, for debugging when starting up installations and for diagnostics on faults or malfunctions.

It comprises data (explanatory texts, dynamic values, synoptics, etc.) and enables a simple and fast action (modification and dynamic monitoring of PLC variables).

The editor enables the design of these screens using the following tools:

- Screen: creation of runtime screens, which can be classed according to family.
- Message: creation of messages used.
- Objects: creation of a graphic objects library.



When the station is connected to the PLC, the user can display screens dynamically depending on the state of the process.

Screen sequencing is possible, depending on the attributed priority, via either the keyboard or PLC request.

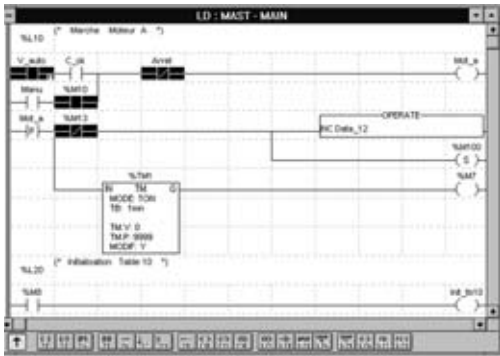
In online mode, runtime screens enable direct access to the PL7 program from synoptics by simply clicking on the selected object.

It is also possible to activate the animation table functions or cross references once one or more variables have been selected on the screen. Version  $\geq$  V4.0 of PL7 software also enables character string type objects to be displayed.

Synoptics can be displayed on the full screen for ease of viewing.

# Modicon TSX Micro automation platform

## PL7 Micro/Junior/Pro programming software



### Debugging tools

PL7 Micro/Junior/Pro software offers a complete set of tools for debugging applications. A tool palette provides direct access to the main functions:

- Setting stop points.
- Step by step program execution.
- Independent execution of the master (MAST), fast (FAST) and event-triggered (EVTi) tasks.

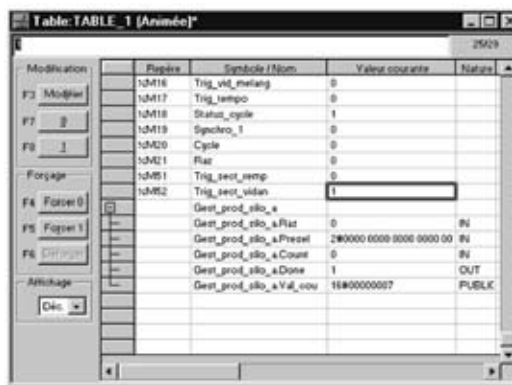


### Animation of program elements

Parts of the program are animated directly when the TSX Micro/Premium PLC is in RUN (rung, Structured Text statement or sequence of instructions in Instruction List language) by activating the PL7 animation function.

Animation is used to display the status of program variables, whatever the language used.

The animation can be frozen. Several windows can be displayed and animated simultaneously.



### Animation tables

Tables containing the application variables to be monitored or modified can be created by entering them or automatically initialized from the selected program part. Variables can then be modified, forced to 0 or to 1 for bit objects.

These tables can be stored in the application and therefore retrieved at a later date.

### Debugging the DFBs

■ Animation table: all public parameters and variables are displayed and animated in real time. It is possible to modify and force the desired objects.

■ As for the rest of the program, it is possible to use the following functions: breakpoint, step-by-step and program diagnostics.

### Grafcet debugging

In online mode, the browser gives a hierarchical view of the chart with CHART module and macro-step nesting. Animation is characterized by the presence or absence of indicator colors.

The Grafcet debug bar:

- Displays the state of the chart.
- Modifies the state of the chart.
- Gives information on the state of the Master task.

### Debugging the application-specific functions

The debug screens for the application-specific functions are accessed from the I/O configuration screen by clicking on the position in which the module has been defined, when the terminal is in online mode.

These screens are used for:

- Displaying and modifying the state of the I/O.
- Forcing the I/O.
- Displaying and modifying the current values.
- ...



### Diagnostics

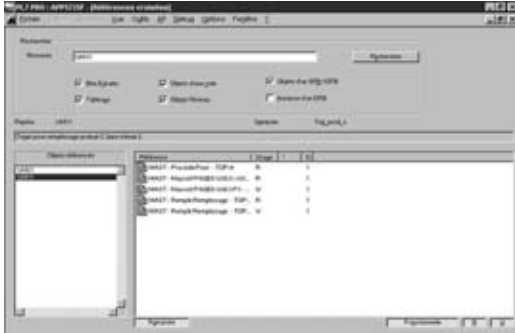
The debug screens provide access to the general module or channel diagnostics. These screens identify:

Internal module faults.

- External faults from the application.
- E.g.: range overrun fault for an analog module.

With version ≥ V4.0 of PL7 software, the Premium platform system diagnostics are extended. It is possible to monitor system bits and words as well as to display associated time-stamped messages automatically, without the need for additional programming. This monitoring applies to the system elements (processor, memory, tasks, ...), in-rack I/O and remote I/O on the Fipio bus.

5



### Variable cross-references

For every variable, this function can be used to:

- Search for program modules where this variable is used.
- Obtain the list of statements, rungs or expressions.
- Display and check activation conditions.

A log is used to keep track of this navigation.

Options relating to the variable, can be associated with the search (extract bit, table object, function block elements, network object, etc.).

This function can be initialized from the program or runtime screens.

### Application converters

PL7 Micro/Junior/Pro software includes application converters which make it possible to reuse in full or in part, applications already written in:

- PL7 2, applications for TSX 17, TSX 27 or TSX 47 10/20/25 PLCs.
- PL7 3 (1), applications for TSX/PMX 47...TSX/PMX 107 PLCs.
- ORPHEE (1), applications for April Series 1000 PLCs.

The converters offer the following utilities:

- Translation of language objects into the new PL7 syntax with retrieval of associated symbols and comments.
- Possibility of manually reassigning objects.
- Configuration check: the tool checks whether the configuration resources required by the program to be converted are compatible with the configuration of the destination application.
- Conversion (1) with generation of source files (Ladder, Structured Text or Grafset) in PL7 Junior/Pro format.
- Conversion ensures that instructions which are translated are functionally identical to the original program.
- A translation report gives a summary:
  - result of the conversion with the cause of non-translation where possible,
  - correspondence of variables in PL7 with original variables.

### X-Way communication drivers

The communication drivers (Uni-Telway COM port and USB port, PC side) are available in the PL7 software CD-Rom.

Depending on needs, other drivers can be installed from **TLX CD DRV20M** CD-Rom (to order separately). See following table.

Type of drivers	Windows XP Windows 2000	Windows NT	Windows 98 Millennium	Windows 95	OS/2	DOS
Uni-Telway	V1.6 IE17	V1.9 IE17	V1.6 IE17	V7.8 IE18	–	V7.4 IE14
TSX FPC10	V1.3 IE05	V1.3 IE08	V1.3 IE05	V2.4 IE14	V2.4 IE13	V2.2 IE11
TSX FPC20	V1.2 IE03	V1.3 IE08	V1.2 IE04	V1.2 IE04	V1.5 IE05	–
TSX SCP 114	V1.1 IE04	V1.1 IE04	V1.1 IE04	V1.1 IE04	–	–
Ethway	V1.1 IE02	V1.1 IE03	V2.6 IE06	V2.6 IE06	V2.6 IE22	–
ISAway	V1.2 IE04	V1.5 IE06	V1.2 IE04	V1.2 IE09	–	–
PCIway	V1.0 IE06	–	–	–	–	–
XIP	V1.7 IE13	V1.7 IE13	V1.7 IE13	V1.7 IE13	–	–
Modbus	V1.1 IE06	V1.1 IE06	V1.1 IE06	V1.1 IE06	–	–
USB for mini-DIN terminal port	Inclus PL7	–	–	–	–	–
USB for USB terminal port	V1.0 IE14	–	–	–	–	–

(1) Function or functionality requiring PL7 Junior/Pro software.

### Functions and instructions

#### Predefined function blocks (1)

- 64/255 Timers: **%T<sub>Mi</sub>** (0 ≤ i ≤ 254) 10 ms to 9999 ms
- 32/255 Up/Down counters: **%C<sub>i</sub>** (0 ≤ i ≤ 254) 0 to 9999 (word)
- 64/255 Timers PL7-2: **%T<sub>i</sub>** (0 ≤ i ≤ 254)
- 8/255 Monostables: **%M<sub>Ni</sub>** (0 ≤ i ≤ 254) 16 steps
- 4/255 LIFO or FIFO 16 bit registers: **%R<sub>i</sub>** (0 ≤ i ≤ 254)
- 8/255 Drums: **%D<sub>Ri</sub>** (0 ≤ i ≤ 254) 16 steps
- The total number of timers **%T<sub>Mi</sub>** and **%T<sub>i</sub>** is limited to 64/255

#### Type of PL7 instructions

- Instructions on word and double word tables.
- Logical instructions on words and double words.
- Arithmetic instructions on words and double words.
- Instructions on floating point words.
- Instructions on bit tables.
- Character string instructions.
- Binary conversion instructions.
- Time management instructions.
- Logarithmic and exponential instructions.
- Trigonometric instructions.
- Instructions on program.

#### Addressable objects (2)

Bit objects	Word objects
<ul style="list-style-type: none"> <li>■ <b>%I/Q<sub>x</sub>.i</b>: I/O module inputs/outputs</li> <li>■ <b>%M<sub>i</sub></b>: internal bits</li> <li>■ 256 on TSX Micro TSX 37,</li> <li>■ 3692 on TSX P57 1●3M,</li> <li>■ 8056 on TSX P57 2●3M/T PCX 57 203M</li> <li>■ 16248 on TSX P57 3●3M/453M and T PCX 57 353M</li> <li>■ <b>%S<sub>i</sub></b>: 128 bit system</li> <li>■ <b>%X<sub>i</sub></b>: Grafcet step bits</li> <li>■ 96 on TSX Micro TSX 37-10,</li> <li>■ 128 on TSX Micro TSX 37-21/22</li> <li>■ 1024 (3) on Premium</li> <li>■ <b>%X<sub>Mj</sub></b>: 64 macro-step bits on Premium PLC</li> <li>■ <b>%...i.j.</b>: function block bits</li> <li>■ <b>%...i.Xk</b>: bits extracted from internal words, systems, constants, from I/O, common networks</li> </ul>	<ul style="list-style-type: none"> <li>■ <b>%M<sub>Wi</sub></b>, <b>%M<sub>Di</sub></b>, <b>%M<sub>Fi</sub></b>: single length internal words, double length, floating</li> <li>■ <b>%K<sub>Wi</sub></b>, <b>%K<sub>Di</sub></b>, <b>%K<sub>Fi</sub></b>: single length constant words, double length, floating</li> <li>■ <b>%I<sub>Wi</sub>.j/%Q<sub>Wi</sub>.j</b>: module I/O words</li> <li>■ <b>%S<sub>Wi</sub></b>: 128 system words</li> <li>■ <b>%N<sub>Wi</sub></b>: common words on the network</li> <li>■ <b>%M<sub>Bi</sub>:L</b>, <b>%K<sub>Bi</sub>:L</b>: character string</li> <li>■ <b>%...i.j</b>: function block words</li> <li>■ <b>%...i[%M<sub>Wi</sub>]</b>: indexed objects (I/O bits, constant internal words)</li> </ul>
Indexed objects	Structured objects
<ul style="list-style-type: none"> <li>■ <b>%i[%M<sub>Wj</sub>]</b>: bits (inputs, outputs and internal)</li> <li>■ <b>%M●i[%m<sub>Wj</sub>]</b>: internal words, (single/double length and floating)</li> <li>■ <b>%K●i[%m<sub>Wj</sub>]</b>: constant words (single and double length and floating point)</li> <li>■ <b>%M<sub>Wi</sub>[M<sub>Wj</sub>]</b>: table of internal words</li> </ul>	<ul style="list-style-type: none"> <li>■ <b>%M<sub>i</sub>:L</b>: bits string (I/O, internal and Grafcet bits)</li> <li>■ <b>%●●i:L</b>: constant internal words (single or double length, floating and words system)</li> <li>■ <b>%●Bi:L</b>: character string (internal words and constants)</li> </ul>

(1) Function requiring PL7 Junior/Pro software.

(2) If the maximum number of objects are not specified in this table, consult our Modicon Premium automation platform catalogue.

(3) 1024 step bits and macro-step step bits.

# Modicon TSX Micro automation platform

## PL7 Micro/Junior/Pro programming software

### Selection

The selection table shown below can be used to define the most suitable programming software in terms of services that are required and the TSX Micro/Premium automation platforms used.

Utilities/functions	Programming software		
Languages	PL7 Micro	PL7 Junior	PL7 Pro
Instruction List	TSX Micro	TSX Micro/Premium	TSX Micro/Premium
Ladder language	TSX Micro	TSX Micro/Premium	TSX Micro/Premium
Grafcet	TSX Micro	TSX Micro/Premium	TSX Micro/Premium
Grafcet macro-steps		Premium	Premium
Structured Text	TSX Micro	TSX Micro/Premium	TSX Micro/Premium
<b>DFB function blocks</b>			
Creation			Premium
Operation		Premium	Premium
Display		Premium	Premium
<b>Functional views</b>			
Application			Premium
<b>Function modules</b>			
Creation			Premium
Operation			Premium
<b>DFB function blocks for application diagnostics</b>			
Creation			Premium
Operation			Premium
Display			Premium
Diagnostics viewer			Premium
<b>Runtime screens</b>			
Creation			TSX Micro/Premium
Operation			TSX Micro/Premium
<b>Application converters</b>			
PL7 2	TSX Micro/Premium	TSX Micro/Premium	TSX Micro/Premium
PL7 3		TSX Micro/Premium	TSX Micro/Premium
Orphee		TSX Micro/Premium	TSX Micro/Premium
<b>Software extensions</b>			
SMC (converter)		TSX Micro/Premium	TSX Micro/Premium
SDKC (C language dev)	TSX Micro	TSX Micro/Premium	TSX Micro/Premium
PL7 DIF (comparison of PL7 applications)			TSX Micro/Premium
PL7 FUZ (software for fuzzy logic processing)	TSX Micro	TSX Micro/Premium	TSX Micro/Premium
OFS (data server)	TSX Micro	TSX Micro/Premium	TSX Micro/Premium
WSBY (Warm Standby redundancy)			Premium
Sycon (fieldbus configurator)	CANopen	CANopen, Profibus DP	

5

### References

Multilingual software packages (English, French, German, Spanish and Italian) for PC compatibles (1) equipped with Windows 98, Windows NT 4.0, Windows Millennium, Windows 2000 Professional or Windows XP operating systems.

For one station, these packages comprise:

- A CD-ROM supporting the PL7 multilingual software, the PL7 demonstration applications and the terminal link Uni-Telway driver.
- A cable reference TSX PCU 1031, PC compatible with TSX Micro/Premium PLC (length 2.5 m). Not supplied with software upgrade or update packages and PL7 software licenses.
- Two CD-ROMs containing multilingual technical documentation.
- A CD-ROM containing the TSX Micro/Premium platform operating systems.

For packages for 3 stations, the above quantities are multiplied by three. For software licenses, TSX PCX 1031 cables must be ordered separately, according to the required number of users.

All documentation reference (software setup manuals) reference TLX DOC PL7 43F should be ordered separately.

(1) Typical recommended configuration: Pentium processor, 266 MHz, 128 Mb of RAM memory, CD-ROM drive for installation of the PL7 program, VGA screen or above.

# Modicon TSX Micro automation platform

## PL7 Micro/Junior/Pro programming software

### PL7 Micro software packages

PL7 Micro software enables programming in Instruction List, Ladder, Structured Text and Grafcet language. It can also be used to set up application-specific functions and perform maintenance and diagnostics of the developed applications. It includes the PL7 2 application converter.

Description	For PLC	Type of device and update	Reference (1)	Weight kg
<b>PL7 Micro software packages</b>	TSX Micro	Single (1 station)	TLX CD PL7M ●44M	–
		Group (3 stations)	TLX CD3 PL7M ●44M	–
<b>PL7 Micro and SyCon V2.8 software package</b>	TSX Micro	Single (1 station)	TLX CD PL7M PC44M	–

### Mises à jour logiciels PL7 Micro

<b>Software updates for previous version of PL7 Micro</b>	TSX Micro	Single (1 station)	TLX RCD PL7M P 44M	–
		Group (3 stations)	TLX RCD3 PL7M P 44M	–
<b>Software update for previous version of PL7 Micro supplied with SyCon V2.8</b>	TSX Micro	Single (1 station)	TLX RCD PL7M PC44M	–

### PL7 junior software packages

PL7 Junior software enables programming in Instruction List, Ladder, Structured Text and Grafcet languages. It can also be used to set up application-specific functions and perform maintenance and diagnostics of the developed applications. It includes the PL7 2, PL7 3 and ORPHEE application converters.

Description	For PLCs	Type	Reference (1)	Weight kg
<b>PL7 Junior software packages</b>	TSX Micro, Premium, Atrium PCX	Single (1 station)	TLX CD PL7J ●44M	–
		Group (3 stations)	TLX CD3 PL7J ●44M	–
<b>Software updates for previous version of PL7 Junior</b>	TSX Micro, Premium, Atrium PCX	Single (1 station)	TLX RCD PL7J P44M	–
		Group (3 stations)	TLX RCD3 PL7J P44M	–
<b>Software upgrade packages from previous version of PL7 TSX Micro</b>	TSX Micro, Premium, Atrium PCX	Single (1 station)	TLX UCD PL7J P44M	–
		Group (3 stations)	TLX UCD3 PL7J P44M	–

(1) ● in reference, defines the type of connecting cable PC/PLC (length 2.5 m)

□ P: TSX PCX 1031 cable for RS 232C port of PC,

□ PU: TSX PCX 3030 cable for USB port of PC.

### Ensembles logiciels PL7 Pro

Functions on PL7 Pro software are identical to those on PL7 Junior software. It also offers the user the possibility of creating his own function blocks (DFBs) and graphic runtime screens.

Description	For PLCs	Type	Reference (1)	Weight kg
PL7 Pro software package	TSX Micro, Premium, Atrium PCX	Single (1 station)	TLX CD PL7P ●44M	–
		Group (3 stations)	TLX CD3 PL7P ●44M	–
Software updates for previous version of PL7 Pro	TSX Micro, Premium, Atrium PCX	Single (1 station)	TLX RCD PL7P P44M	–
		Group (3 stations)	TLX RCD3 PL7P P44M	–
Software upgrade packages from previous versions of PL7 Junior	TSX Micro, Premium, Atrium PCX	Single (1 station)	TLX UCD PL7P P44M	–
		Group (3 stations)	TLX UCD3 PL7P P44M	–

### PL7 Micro/Pro software licenses

Description	For PLCs	Type	Reference	Weight kg
PL7 TSX Micro Open Team software license	TSX Micro	Team (10 stations) (2)	TLX OT PL7M P44M	–
PL7 Pro Open Team software license	TSX Micro, Premium, Atrium PCX	Team (10 stations) (2)	TLX OT PL7P P44M	–
PL7 Pro Open Site software license	TSX Micro, Premium, Atrium PCX	Site > 10 stations (2)	TLX OS PL7P P44M	–
PL7 Pro Servi software license	TSX Micro, Premium, Atrium PCX	Client/server network architecture server device. Use of the PL7 Pro via client station (Thin client) on network and with access rights.	TLX S PL7P P44M	–

### Separated elements

Description	Use	Reference	Weight kg		
X-Way drivers package for compatible PC	Includes all X-Way drivers (see page 5/15) Includes multilingual user documentation.	TLX CD DRV20M	–		
Description	Used from processor	to PC port	Length	Reference	Weight kg
Universal terminal port cable	Mini-DIN port TSX Micro/Premium	RS 232D (15-way SUB-D connector)	2.5 m	TSX PCX 1031	0.170
		USB Port	2.5 m	TSX PCX 3030	0.150
Description	Description	Reference	Weight kg		
Set of manuals PL7 software (in english)	Hard copy including PL7 reference manuals, functions, communication, converters and diagnostics	TLX DOC PL7 44E	3.410		

(1) ● in reference, defines the type of connecting cable PC/PLC (length 2.5 m)

□ P: TSX PCX 1031 cable for RS 232C port of PC,

□ PU: TSX PCX 3030 cable for USB port of PC.

(2) Team user stations from the same geographical site.



TSX PCX 1031

### Presentation

The application converter software for SMC PLCs is a PL7 Junior and PL7 Pro software option. It enables parts of, or in certain cases, the entire existing SMC PLC application to be reused with Micro/Premium PLCs. The converter generates instructions in PL7 language which are functionally identical to the original instructions.

If the application has been archived using VPSOFT programming software (version 3.02 minimum) for SMC PLCs, it is possible to translate the program and comments and retrieve the entire database (variable symbols and comments). If this is not the case, the program only can still be converted once it has been transferred with VPSOFT software. Program conversion is possible for SMC 200/500, SMC 23/35 and SMC 50/600 PLC applications.

The SMC converter provides the following functions:

- Selection of the application in the directory where SMC applications are stored.
- Selection of the program to be converted: sequences to be converted.
- Code and data analysis: associations are suggested for SMC variables with PL7 correspondence (bits, words, double words or reals).
- Code and variable conversion in order to generate a PL7 equivalent.
- Report which shows the user the conversion success rate, associations and causes of non-conversion when applicable.
- Target configuration for displaying or entering a configuration required for arranging variables in PL7.

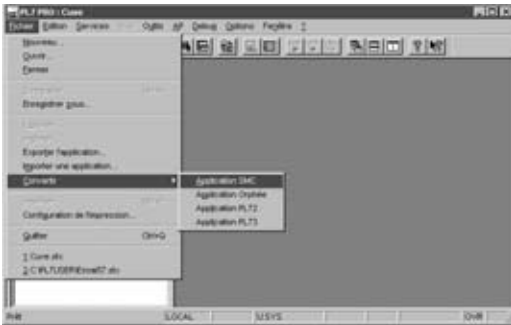
It is possible to convert only the SMC database.

### Software setup

Once installed, the SMC converter is activated from PL7 (File/Convert command). Translated program modules are converted into an importable source format in a new PL7 application or in the current application.

A consistency check is performed with the current application configuration. It is also possible to modify the destination application while the converter is being used.





### Functions

#### Database conversion

The converter is extremely easy to use. All or part of the symbolised database can be retrieved. Its reassignment services operate on individual data or blocks of data addresses.

#### I/O reassignment:

The converter in particular enables discrete I/O variables from an SMC PLC to be directly reassigned by module to TSX Micro/Premium PLC modules. It is also possible to merge objects from several SMC modules into a single Premium module (when using-modules with 64 channels for example).



#### Program conversion

The SMC sequential program conversion can be carried out on the entire program or on a selected part of the program. The result of the conversion is a PL7 format source file which can be imported into any task written in Ladder language.

Once an analysis phase is completed, the software offers default correspondence and requests additional information when necessary.

A conversion report provides the following information:

- Result of the conversion for each instruction with the cause of non-conversion if applicable.
- List of variable correspondence before and after conversion, including I/O reassignment.

### Reference

This software extension conforms to SMC PLC application conversion requirements using PL7 Junior and PL7 Pro setup software. It comprises:

- A set of 3 1/2 disks.
- A multilingual user manual (English, French and Spanish).

#### Logiciel convertisseur d'applications pour automates SMC

Description	Function	Target PLC extension	Reference	Weight kg
<b>PL7 SMC application converter software</b>	Facilitates conversion of SMC 200/500 and SMC 25/35/50/600 applications to PL7 applications. Converts sequential information into Ladder language and data	PL7 Junior/Pro Micro/Premium	<b>TLX LC SMC PL7 40M</b>	0.560

### Presentation

PL7 DIF application comparison software for Premium platforms is an optional program which complements the PL7 Pro programming software. It is used to compare two PL7 applications generated by PL7 Pro and automatically provide an exhaustive list of all the differences between them.

The PL7 DIF program increases productivity in the main life phases of a control system based on a Premium platform:

- Application development and debugging.
- Starting up installations and processes.
- Operation and maintenance of installations and processes.

PL7 DIF software is an efficient tool for handling PL7 applications for:

- Control system design offices.
- Operation and maintenance managers.
- Installers and systems integrators.

### Software setup

The PL7 DIF software can be used in one of two modes:

- Interactive mode, when the comparison is launched by an operator command (double-click on the **PL7Dif** software icon).
- "Batch" mode, when it is launched by a previously established call command.

These comparison commands locate all the differences between two applications in terms of:

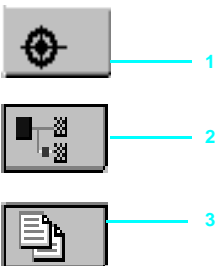
- The hardware configuration.
- The application access protection.
- The software structure with the section validation conditions.
- The application program regardless of the language(s) used.
- The function modules.
- The code for the DFB user function blocks.
- All the variables.

The result of the comparison between the two applications can be:

- Displayed.
- Printed.
- Saved in .txt format in a differences list.

### Comparison

The end of the comparison operation is signalled by the appearance of the application browser with its three tabs.



- 1 Identification tab for accessing the characteristics of the two applications being compared. The differences are marked by the sign #.
- 2 Browser tab for accessing the application multilevel tree structure.
- 3 List tab for accessing:
  - Printing the comparison list,
  - Creating the comparison file.

### Setup (continued)

#### Display of results

The representation of the application multilevel tree structure, which can be accessed via the browser tab after launching a comparison, is annotated by 4 symbols in which the information associated with application 1 appear in blue and those associated with application 2 appear in red:



This branch, found in this level of the tree structure, contains at least one difference



This block contains at least one difference



This section is only present in application 1



This section is only present in application 2



The programming language of this section differs between application 1 and application 2



In the example opposite, a difference on the rung causing changeover to manual mode is detected:

- 1 This line [7] displayed in blue belongs to application 1.
- 2 This line [7] displayed in red belongs to application 2.

The source code extracts of both applications can be used to locate the differences precisely.

#### Printing a comparison list/creating a comparison file

The list tab is the means of accessing the functions for printing a comparison list or creating a comparison file:



Access to the list form for printing a comparison list (or creating a comparison file)



Used to include the block selected in the tree structure in the comparison list (or the comparison file)



Used to exclude the block selected in the tree structure of the comparison list (or the comparison file)



Used to create the comparison list (or the comparison file) according to the selections above



Starts printing the comparison list (or saving the comparison file)

### References

This software extension can be used to compare two PL7 applications generated by PL7 Pro and designed for TSX Micro/Premium platforms. It comprises one CD-Rom (three disks), containing the PL7 DIF software with its documentation (English and French). A software subscription is available for this extension (please consult your Regional Sales Office).

#### PL7 DIF application comparison software

Function	Target extension PLC target	Type of device	Reference	Weight kg
Using for comparing applications generated by PL7 Pro version ≥ V4	PL7 Pro	1 station	TLX CD PL7 DIF 41	—
	TSX Micro/ Premium	3 stations	TLX CD3 PL7 DIF 41	—

## Presentation

C language function development software, also called SDKC, is a PL7 Micro, PL7 Junior and PL7 Pro software option. It enables new functions to be developed (internal code written in C language) and extends and completes the standard set of functions offered by PL7 software.

SDKC software also integrates a creation and management service for families of functions, so they can be integrated in the PL7 library.

Finally, it can be used to generate the function which ensures the protection of PL7 applications by reading a signature in the PCMCIA card inserted in the PLC.

## Setup

C language development software is a genuine tool for managing the entire function which has been created:

- A user-friendly creation interface, integrated in PL7, with automatic file organisation.
- Powerful debug and test tools.
- Management of compatibility and software version for the functions created.
- Generation of disks for the subsequent installation of functions on other development stations.

## Management of function families

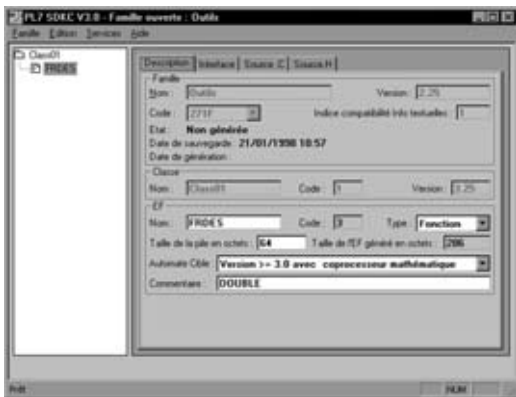
The software enables different function families to be defined. These functions, also known as EF, are classed according to family, allowing the user to create a sequential library of functions written in C language.

These functions, which will eventually form a part of the PL7 library, can be:

- Used in all languages.
- Displayed by the PL7 library tool.
- Classed according to family/function.

The user has the following data at his disposal:

- Date of creation and generation of the function.
- The version number of the function family.



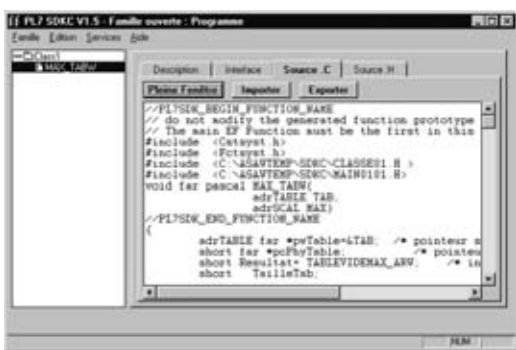
## Editing functions

The various SDKC software editor tabs enable the user to create the function by:

- Declaring the interface (name, type and comment) for each input, output or I/O parameter.
- Writing the source code file in C language.
- Declaring the constants as separate files.

A function written in C language can access numerous internal PLC services such as real-time clock, PLC variables, system words, mathematical functions.

In particular, it is possible to carry out numerical processing in floating point format, if the target PLC allows.





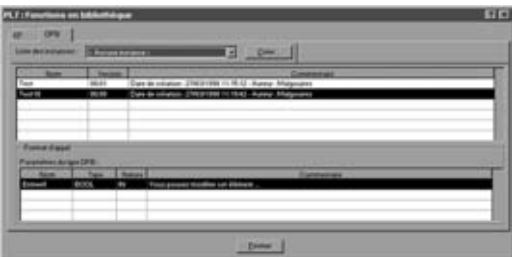
### Setup (continued)

#### Debugging the functions

The function created must be generated under the “debug” format to be tested. Once it has been inserted in an application and loaded to a PLC, the execution of a function can be checked using numerous debug tools.

A specific function debug menu in C language accesses the following services:

- Breakpoint insertion.
- Step by step execution.
- Display of code with breakpoints shown.
- Display of data manipulations.



#### Functions library enhancement

After developing, generating, then debugging the function, the last step consists of generating a function family installation disk.

This enables the function library on the user's programming terminal to be enhanced. Managing the versions allows the level of any functions installed on a station to be known at any time.

These functions can be used in all PL7 languages.

### Reference

This software extension enables standard functions offered by PL7 Micro, PL7 Junior and PL7 Pro version > V4 software to be extended.

It comprises:

- A set of 3 1/2 disks.
- A bilingual user manual (English and French).

This software is supplied with a Microsoft Visual C++ software package registration card.

#### PL7 SDKC procedure creation software

Description	Function	Target PLC extension	Reference	Weight kg
PL7 SDKC software extension	Procedure written in C language with access to floating point functions Debug in PLC	PL7 Micro/ Junior/Pro TSX Micro/ Premium	TLX L SDKC PL7 41M	0.930

5

### Presentation

PL7 FUZ software is a PL7 TSX Micro/Junior/Pro software option enabling fuzzy logic processing in order to optimise the control of processes from Micro and Premium PLCs. This is a software function which can be integrated in any PL7 program. It includes setup and debug tools.

This function is particularly suitable for controlling:

- Systems which are difficult to model or non-linear systems, with wide variation of inputs or an insufficient sensor resolution.
- Systems which are difficult to control and require experience and human intuition.

It enables:

- Boolean logic limits to be exceeded (true or false state).
- The representation of physical measurements by gradual concepts.
- Benefit to be gained from the expertise of operators when controlling a proces.s

The fuzzy logic function is characterised by:

- 5 physical measurements used as inputs (temperature, pressure, speed...).
- 20 graphic related functions which allow the physical measurement inputs to be represented by predefined associated linguistic terms. A temperature will be represented for example by the terms: low, average, high according to the limits for the various terminals.
- 25 linguistic rules which determine the state to be applied to the outputs (3 conditions and 2 conclusions per rule).
- 4 numerical variables as outputs, results applying to the function input values
- The possibility of debugging its control offline.

Once inserted in a program, the fuzzy function can either operate in continuous mode (function executed on each scan) or on request (a single iteration on each execution). The operating mode enables the function to be used in automatic mode (calculation of the outputs depending on the state of the inputs) or in manual mode (applications with predefined output values).

### Software setup

The fuzzy logic function software is set up in 2 steps:

- Integration of the fuzzy function in the application program, in the same way as any other standard function.
- Setting the fuzzy function parameters using the setup screen.

### Integration in the program

The fuzzy logic function is inserted in the program in all the available languages.

The software checks the various function parameters:

- The 5 input variables.
- The 4 output variables (plus an error bit).
- The internal variables necessary for the function to operate correctly.

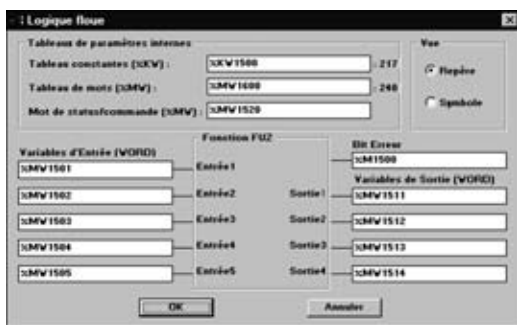
The function setup screen is used to access parameters (I/O), membership functions, linguistic rules, as well as debug functions.

### Membership functions

The membership functions are described intuitively using a suitable layout.

A membership function is characterised by:

- The selection of one of the parameters (I/O).
- The choice of associated linguistic terms from a library of terms predefined or created by the user.
- The type of function to apply for the inputs (trapeze, triangle, etc) as well as its characteristic values and the functions to apply for the outputs (singleton).





### Setup software (continued)

#### Linguistic rules

Linguistic rules (25 maximum) enable experts' know-how to be transcribed using conditions/conclusions such as: If...Then...

- The definition of a rule is made easier by selecting the input parameters (3 per rule).
- By assigning one of the possible linguistic terms to each input.
- By defining the outputs affected by this rule (2 per rule) as well as the associated linguistic terms.

#### Simulation and debug

The fuzzy function is easily debugged using the setup and debug screen, especially simplified by the possibility of simulating the operation offline.

#### Offline simulation

Once the parameter entry screens have been completed, it is possible to perform the fuzzy function operation offline. The debug screen offers the possibility of:

- Forcing values for the various input variables.
- Starting the simulation using the "Start" key.

The results achieved are:

The values which will be applied to the outputs in normal operation.  
The percentages obtained under the various rules.

#### Debug in online mode

In online mode the debug screen enables:

- Display of the state of the I/O.
- Access to the involvement percentages obtained under the various rules.

It can also:

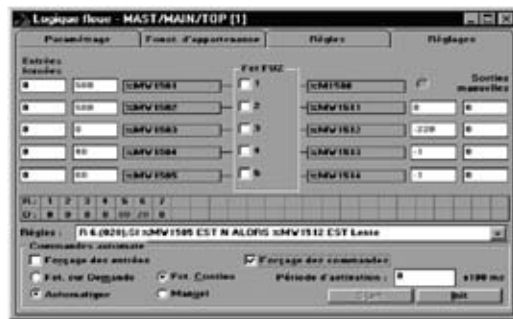
- Force the inputs for testing precise operating points.
- Change to manual mode to apply predetermined values on the outputs.
- Change the operating mode: on request, or continuously by defining a period of activation.

### Reference

This software extension enables standard functions offered by PL7 Micro, PL7 Junior and PL7 Pro software to be extended into the domain of fuzzy logic.

It comprises:

- A set of 3 1/2 disks.
- A multilingual user manual (English, French and German).



### Software for fuzzy logic processing

Description	Function	Target PLC extension	Reference	Weight kg
PL7 FUZ software extension	Development and debugging of fuzzy logic applications. Defines the membership functions and fuzzy rules for the applications.	PL7 Micro/Junior/Pro TSX Micro/Premium	TLX L PL7 FUZ 34M	0.560

### Presentation

The FTX 117 Adjust pocket terminal is used for adjusting Nano/Micro/Premium PLCs. It is used to:

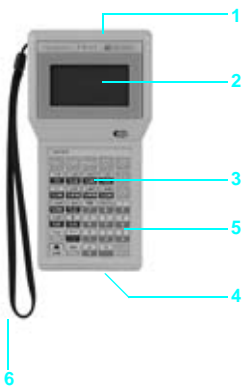
- Read, modify and force valid parameters.
- Save and retrieve PLC object lists.
- Up/down load programs and PLC data (one program and up to 10 data files per protected RAM memory PCMCIA card).

The PLC provides the power supply to the FTX 117 Adjust terminal.

### Description

The front panel of the FTX 117 Adjust terminal comprises:

- 1 A connector for connecting a T FTX CB1 020 cable to the PLC.
- 2 A back-lit screen with 4 lines of 16 alphanumeric characters.
- 3 A keypad with 35 keys.
- 4 A slot for the type 1 PCMCIA memory card.
- 5 Magnets on the rear of the terminal which are used to keep it in a vertical position on a metal support.
- 6 A carrying strap.



### Functions

All functions can be easily accessed at any moment using 7 editors with the following menus:

■ **TSX:** has menus for:

- displaying the type of PLC,
- modifying/displaying the PLC operating mode: RUN/STOP/ERR,
- naming the application and the presence of forced bits,
- module diagnostics,
- setting the internal clock of the PLC.

■ **DAT:** data editor used to:

- access all variables in real-time display,
- modify or force valid variables,
- access to the modification and display of Grafcet steps,
- convert word objects into Hexadecimal, ASCII, decimal or binary code.

■ **DT-i:** object list editor used to:

- display or modify a list of 16 variables,
- store and retrieve an object list (63 lists maximum),
- This function requires a PCMCIA card.

■ **Frc:** editor to find forced bits is used to:

- find and display forced bits in the PLC.

■ **FTX:** terminal editor is used to:

- show the terminal versio,
- select the language (English, French, German, Italian Spanish),
- adjust a beep sound and lighting.

■ **Adr:** connection editor used to access PLCs connected to the UNI-Telway bus (master or slave).

■ **Trf:** transfer editor requiring a PCMCIA RAM memory card. Used for transfers from PLCs to the PCMCIA card and vice versa, a program and one or more %MWi data files (up to 10 data files) via the FTX 117 terminal.

5

```
TSX 0720-10
RUN ERR I/O
APP : Exec f
Mod0=OK
```

Example of TSX editor

```
%IW0.0    0
%IW0.0    0
%IW0.1    200
%IW0.0    0
```

Example of DAT editor

```
Transfer list
Format Card
ADJ (max 62) :
```

Example of DT-i editor

```
%Q00     1f
End of list
```

Example of Frc editor



### Functions (continued)

#### Objects which can be accessed by the terminal

Language element	Type	Symbol	Action (1)
<b>Inputs</b>	Input bit	%Ix.i	R, W, F
	Input word (single, double)	%IW <sub>i</sub> , %ID <sub>i</sub> (2)	R, W
<b>Outputs</b>	Output bit	%Qx.i	R, W, F
	Output word (single, double)	%QW <sub>i</sub> , %QD <sub>i</sub> (2)	R, W
<b>Internal variables</b>	Internal bit	%Mi	R, W, F (3)
	System bit/word (single, double)	%Si, %SW <sub>i</sub> , %SD <sub>i</sub>	R, W (4)
	Internal word (single, double, floating point)	%MW <sub>i</sub> , %MD <sub>i</sub> (2), %MF <sub>i</sub> (2)	R, W
	Constant word (single, double, floating point)	%KW <sub>i</sub> , %KD <sub>i</sub> (2), %KF <sub>i</sub> (2)	R
	Network common word	%NW{j}k (2)	R, W
<b>Grafcet objects</b>	Step state	%Xi	R, W (2)
	Step activity time	%Xi, T (2)	Indirect access
<b>Functions blocks</b>	Timer, monostable, register, up/down counter, drum controller	%T <sub>Mi.z</sub> , %M <sub>i.z</sub> , %R <sub>i.z</sub> , %C <sub>i.z</sub> , %D <sub>Ri.z</sub>	R, W (dep. on object)

### References

Description	Use	Description	Reference	Weight kg
<b>Portable mini terminal (5)</b>	Adjustment of Nano/TSX Micro/Premium	LCD screen, 4 lines of 16 characters, 35-key dust and damp proof keypad. Power supply via PLC terminal port	<b>T FTX 117 ADJ 02</b>	0.380
<b>Protected RAM memory type 1 PCMCIA cards</b>	Back up lists of PLC objects	32 K words (28 K useful words)	<b>T FTX RSM 3216</b>	0.060
		128 K words (123 K useful words)	<b>T FTX RSM 12816</b>	0.060
<b>Battery</b>	For RAM type PCMCIA memory card	–	<b>TSX BAT M01</b>	0.010



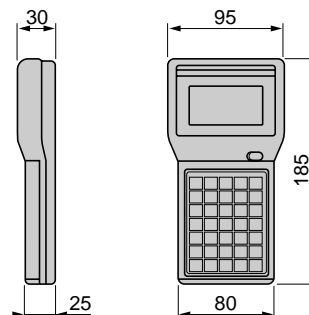
T FTX 117 ADJ 02



T FTX RSM 3216

### Dimensions


#### T FTX 117 ADJ 02



- (1) R : read, W : write, F : force.  
 (2) On TSX Micro/Premium only.  
 (3) No forcing on Nano.  
 (4) Only certain system bits and words can be written.  
 (5) Includes the cable for connecting to Nano/TSX Micro/Premium T FTX CB1 020 (2 m length) and multilingual installation guide.

# Modicon TSX Micro automation platform

## Magelis display units and terminals

<b>Applications</b>		Display of text messages	Display of text messages and/or semi-graphics
<b>Type of unit</b>		Compact display units	Display units
			
<b>Display</b>	Type	Back-lit green LCD, height 5.5 mm or Back-lit green, orange or red LCD, height 4.34...17.36 mm	Fluorescent green matrix (5 x 7 pixels), height 5 mm or Back-lit LCD (5 x 7 pixels), height 9 mm
	Capacity	2 lines of 20 characters or 1 to 4 lines of 5 to 20 characters	2 lines of 20 characters
<b>Data entry</b>		Via keypad with 8 keys (4 with changeable legends)	Display only or via keypad with 4 function keys + 1 service key or 5 service keys
<b>Memory capacity</b>	Application	512 Kb Flash	128 Kb/256 Kb Flash
	Extension via type II PCMCIA	–	384 Kb Flash EPROM
<b>Functions</b>	Maximum number of pages	128/200 application pages 256 alarm pages	100/200 application pages 128/256 alarm pages 256 print-out form pages (1)
	Variables per page	40...50	50
	Representation of variables	Alphanumeric	Alphanumeric, bargraph, gauge
	Recipes	–	–
	Curves	–	–
	Alarm logs	–	Depending on model
	Real-time clock	Access to the PLC real-time clock	–
	Alarm relay	–	No
<b>Communication</b>	Asynchronous serial link	RS 232 C/RS 485	RS 232 C/RS 485/RS 422
	Downloadable protocols	Uni-Telway, Modbus	Uni-Telway, Modbus, AEG and for PLC brands: Allen Bradley, GE Fanuc, Omron, Siemens
	Bus and networks	–	AS-i using 22.5 pitch module
	Printer link	–	RS 232 C asynchronous serial link (1)
<b>Development software</b>		XBT L1001 and XBT L1003 (under Windows 98, 2000 and XP)	
<b>Operating systems</b>		Magelis	
<b>Type of terminal</b>		<b>XBT N</b>	<b>XBT H</b>
<b>Pages</b>		Consult our "Operator dialogue terminals" catalogue	




(1) Depending on model

5

Display of text messages  
Control and parametering of data

Display of text messages and/or semi-graphics  
Control and parametering of data

Terminals


		
Fluorescent green matrix (5 x 7 pixels), height 5 mm or Back-lit LCD (5 x 7 pixels), height 9 mm	Fluorescent green matrix (5 x 7 pixels), height 5 mm or Back-lit LCD (5 x 7 pixels), height 5 mm	Back-lit monochrome matrix LCD (240 x 64 pixels), height 5.3 or 10.6 mm
2 lines of 20 characters	2 or 4 lines of 40 characters	4 to 8 lines of 20 to 40 characters
Via keypad with 8 function keys + 9 service keys <b>or</b> keypad with 12 function keys + 10 service keys + 12 numeric keys	Via keypad with 24 function keys + 10 service keys + 12 alphanumeric keys	Via keypad with 12 function keys 10 service keys 12 numeric keys 4 soft function keys
256 Kb Flash EPROM	384 Kb Flash EPROM	512 Kb Flash EPROM
–		
400 application pages 256 alarm pages 256 print-out form pages (1)	800 application pages 256 alarm pages 256 print-out form pages (1)	800 application pages 256 alarm pages 256 print-out form pages (1)
50		
Alphanumeric		Alphanumeric, bargraph, gauge
–		
–		
Depending on model		
Access to the PLC real-time clock	Built-in	Access to the PLC real-time clock
No	Yes	No
RS 232 C/RS 485/RS 422		
Uni-Telway, Modbus, AEG and for PLC brands: Allen Bradley, GE Fanuc, Omron, Siemens		
AS-i using 22.5 pitch module	–	AS-i using 22.5 pitch module
RS 232 C asynchronous serial link (1)		
XBT L1001 and XBT L1003 (under Windows 98, 2000 and XP)		
Magelis		
<b>XBT P</b>	<b>XBT E</b>	<b>XBT PM</b>


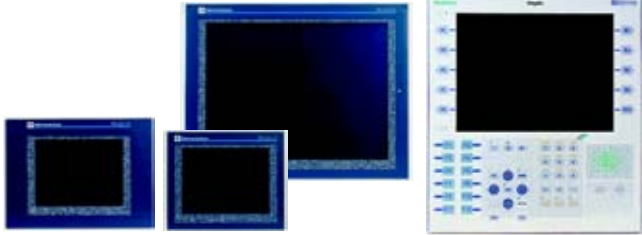
Consult our "Operator dialogue terminals" catalogue

# Modicon TSX Micro automation platform

## Magelis graphic terminals and stations

5

<b>Applications</b>	Display of text messages and graphic objects Control and parametering of data			
<b>Type of unit</b>	<b>Graphic terminals</b>			
				
<b>Display</b>	Type	Back-lit monochrome LCD (320 x 240 pixels) or Colour LCD STN with touch-sensitive screen (320 x 240 pixels) with optimum viewing angle (1)		
	Capacity	5.7"		
<b>Data entry</b>		<table border="1"> <tr> <td>Via touch-sensitive screen 4 tactile feedback keys (XBT-FC)</td> <td>Via keypad with 10 static function keys 8 soft function keys 12 service keys 12 alphanumeric keys</td> </tr> </table>	Via touch-sensitive screen 4 tactile feedback keys (XBT-FC)	Via keypad with 10 static function keys 8 soft function keys 12 service keys 12 alphanumeric keys
Via touch-sensitive screen 4 tactile feedback keys (XBT-FC)	Via keypad with 10 static function keys 8 soft function keys 12 service keys 12 alphanumeric keys			
<b>Memory capacity</b>	Application	8 Mb Flash EPROM (via PCMCIA type II card)		
	Extension	By PCMCIA type II card, 8 or 16 Mb		
<b>Functions</b>	Maximum number of pages	50 to 720 application, alarm, help and print-out form pages depending on the memory card used (512 alarms maximum)		
	Variables per page	64		
	Representation of variables	Alphanumeric, bitmap, bargraph, gauge, potentiometer, selector		
	Recipes	125 records maximum with 5000 values maximum		
	Curves	16		
	Alarm logs	Yes		
	Real-time clock	Access to the PLC real-time clock		
	Alarm relay	Yes		
<b>Communication</b>	Asynchronous serial link	RS 232 C/RS 485/RS 422		
	Downloadable protocols	Uni-Telway, Modbus, AEG and for PLC brands: Allen Bradley, GE Fanuc, Omron, Siemens		
	Bus and networks	Modbus Plus, Fipio/Fipway with add-on PCMCIA type III card, Ethernet 10/100 TCP/IP (1) (2)		
	Printer link	RS 232 C asynchronous serial link (depending on model)		
<b>Development software</b>		XBT L1003 (under Windows 98, 2000 and XP)		
<b>Operating systems</b>		Magelis		
<b>Type of terminal</b>		<b>XBT F01/F03/FC</b>		
<b>Pages</b>		Consult our "Operator dialogue terminals" catalogue (1) Depending on model. (2) TCP/IP with Modbus protocol for XBT F. TCP/IP with X-Way protocol for TXBT F.		

		Dialogue applications with combined processing	
		New Technology touch-sensitive graphic terminals	Graphic stations
			
Back-lit monochrome LCD (640 x 480 pixels) or Back-lit colour LCD TFT (640 x 480 pixels) with optimum viewing angle (1)		Back-lit monochrome (blue or black and white mode) or colour LCD STN or LCD TFT (320 x 240 pixels) or Back-lit colour LCD TFT (640 x 480 pixels or 800 x 600 pixels) or Back-lit colour LCD STN (640 x 480 pixels)	
9.5" (monochrome) 10.4" (colour)		5.7" (monochrome or colour) 7.4", 10.4" and 12.1" (colour)	
Via touch-sensitive screen 8, 12 or 16 tactile feedback keys (XBT-FC) (1)		Via keypad with 12 static function keys 10 soft function keys 12 service keys 12 alphanumeric keys	
		Via touch-sensitive screen (1)	
		Via keypad with 12 static function keys 10 soft function keys 14 service keys 15 alphanumeric keys Pointing device External keypad connection	
		4...8 Mb 1 (1)	
		By "Compact Flash" card, 16 or 32 Mb	
		1.6 Gb (hard disk)	
		By PCMCIA type II card, 8 or 16 Mb	
30 to 480 application, alarm, help and print-out form pages depending on the memory card used (512 alarms maximum)		Limited by the internal Flash memory capacity or "Compact Flash" card memory capacity	
		Limited by hard disk capacity (1024 alarms maximum)	
		Unrestricted	
		Alphanumeric, bitmap, bargraph, gauge, button, light, clock, flashing light, keypad	
		Alphanumeric, bitmap, bargraph, gauge, potentiometer, selector	
		-	
		Yes, with log	
		32	
		Built-in	
		-	
		Yes	
		RS 232 C/RS 485	
		RS 232 C/RS 485/RS 422	
		Uni-Telway (3), Modbus, Modbus TCP/IP	
		Uni-Telway (3), Modbus	
		Ethernet (1), IEEE 802.3 10 BaseT, RJ 45	
		Modbus Plus, Fipio/Fipway with add-on PCMCIA type III card, Ethernet 10/100 TCP/IP (1) (2)	
		Parallel link	
		For future use	
		VJD SPUL FUCDV10M (under Windows 2000 and XP)	
		XBT L1003 (under Windows 98, 2000 and XP)	
		Magelis (CPU 100 MHz RISC)	
		Windows 95 (4)	

<b>XBT F02/F03/FC</b>	<b>XBT G</b>	<b>TXBT F</b>
-----------------------	--------------	---------------

Consult our "Operator dialogue terminals" catalogue  
 (3) Uni-Telway version V2 for Nano/Micro/Premium PLCs.  
 (4) Depending on model, the TXBT F station incorporates an Atrium PCX 57 coprocessor.



---

## 6 - Services

- Documentation ..... page 6/2
- Power consumption of TSX Micro PLC modules. .... page 6/4
- Standards, certifications and environment conditions ..... page 6/6
- Automation product certifications and community regulations ..... page 6/8
- Schneider Electric worldwide. .... page 6/10
- Product references index. .... page 6/16

# Modicon TSX Micro automation platform

## Documentation

PLC products generally include:

- A multilingual installation guide in B7 format (128 x 92 mm) for TSX PLC bases and their modules.
- An installation and start-up manual for PL7 software, in A5 format (216 x 181 mm).

A multilingual contextual on-line help is included with PL7 software. The paper version of the hardware and software installation manuals should be ordered separately.

### Documentation on CD-Rom (in english)

Description	Composition	Reference (1)	Weight kg
<b>TSX technical documentation</b>	Includes all documentation for PLCs, software, networks, buses and terminals	<b>TSX CD D MTE 13E</b>	0.120

### Documentation (paper edition) (in english)

#### PLCs

Description	Included with product	Reference (1)	Weight kg
<b>Micro PLC hardware installation:</b> bases, discrete I/O modules, application-specific modules, Telefast 2, process and AS-Interface bus supplies	To be ordered separately	<b>TSX DM 37 50E</b>	0.660
<b>Premium PLC hardware installation:</b> bases, discrete I/O modules, application-specific modules, Telefast 2, process and AS-Interface bus supplies	To be ordered separately	<b>TSX DM 57 43E</b>	0.740
<b>Nano PLC programming and installation</b>	T FTX 117 071E (FTX 117 terminal)	<b>TLX DM 07 117E</b>	0.265
	TLX L PL7 07●30E (PL7-07 logiciel)	<b>TLX DM 07 DSE</b>	0.320

#### PL7 software

Description	Included with product	Reference (1)	Weight kg
<b>Set of manuals PL7 software</b> (reference, application-specific functions, converters, operating screens, diagnostics)	To be ordered separately	<b>TLX DOC PL7 44E</b>	3.410

#### Terminals

Description	Included with product	Reference (1)	Weight kg
<b>Designing CCX 17 applications under Windows</b>	TMX LP M17 XWF 6EF	<b>TMX DM M17 W V6E</b>	0.340

(1) For documentation in french, german, spanish, etc., please consult your Regional Sales Office.



### Documentation in bound A5 format (in english)

#### Buses and networks

Description	Included with product	Reference (1)	Weight kg
X-Way communication reference manual	To be ordered separately	TSX DR NET E	0.320
Buses and network wiring guide	To be ordered separately	TSX DG KBL E	0.160
Fipway network installation and setup	To be ordered separately	TSX DG FPW E	0.140
Fipio bus reference manual	To be ordered separately	TSX DR FIP E	0.230
Fipio/Fipway fibre optic transceiver setup	To be ordered separately	TSX DM OZD 01E	0.110
Modbus Plus network installation guide	To be ordered separately	890 USE 100 00	0,140
Uni-Telway bus installation and setup	To be ordered separately	TSX DG UTW E	0.060
Modbus bus user manual	To be ordered separately	TSX DG MDB E	0.040

(1) For documentation in french, german, spanish, etc., please consult your Regional Sales Office.

# Modicon TSX Micro automation platform

## Power consumption of TSX Micro PLC modules

The power supplies incorporated into TSX Micro PLC bases have sufficient nominal power to enable them to activate 60% of discrete inputs and/or outputs simultaneously at state 1. At peak power, these power supplies can activate 100% of discrete inputs and/or outputs simultaneously at state 1 without tripping.

### Note:

- Base supplied in a.c.,  $\sim$  24 V process power supply must be used for the mini extension rack when this supports analogue I/O modules and relay output modules.
- Base supplied in d.c., providing  $\sim$  24 V voltage for the mini extension rack, even if this supports analogue I/O modules and relay output modules.

For configurations near the limit, it is however necessary to establish the power consumption using the table below.

Reference	Format 1/2 : half S : standard	Number	Nominal currents consumed in mA (1)					
			Voltage $\sim$ 5 V		Voltage $\sim$ 24 VR		Voltage $\sim$ 24 V (2)	
			Module	Total	Module	Total	Module	Total
<b>Discrete inputs</b>								
TSX DEZ 12D2K	1/2		20				76/104	
TSX DEZ 32D2	S		60				170/254	
TSX DEZ 12D2	1/2		20					
positive logic inputs							87/123	
negative logic inputs							83/107	
TSX DEZ 08A4	1/2		20					
TSX DEZ 08A5	1/2		20					
<b>Discrete outputs</b>								
TSX DSZ 08T2K	1/2		46/56				35/38	
TSX DSZ 08T2	1/2		46/56				35/38	
TSX DSZ 32T2	S		106/146				72/94	
TSX DSZ 04T22	1/2		30				32/36	
TSX DSZ 08T5	1/2		25		55/85			
TSX DSZ 32T5	S		50		115/175		125/175	
<b>Discrete I/O</b>								
TSX DMZ 16DTK	1/2		46/56				55/76	
TSX DMZ 28DTK	S		56/68				104/132	
TSX DMZ 28DT	S		56/68				104/132	
TSX DMZ 28DR	S		45		85/125			
positive logic inputs							106/160	
negative logic inputs							95/131	
TSX DMZ 28AR	S		40		85/125			
TSX DMZ 64DTK	S		110/152				147/197	
<b>Preventa safety module</b>								
TSX DPZ 10D2A	1/2		20					
<b>Analogue I/O</b>								
TSX AEZ 801	1/2		30		60			
TSX AEZ 802	1/2		30		60			
TSX AEZ 414	1/2		40		85			
TSX ASZ 401	1/2		30		90			
TSX ASZ 200	1/2		30		150			
TSX AMZ 600	1/2		30		180			
<b>Counting/positioning</b>								
TSX CTZ 1A	1/2		100				15	
TSX CTZ 1B	1/2		100				15	
TSX CTZ 2A	1/2		100				15	
TSX CTZ 2AA	1/2		120				15	
<b>Total</b> (to report page 6/5)			Total current (mA)					

(1) The first value corresponds to the module consumption with 60% of inputs and/or outputs at state 1 simultaneously. The second value is for 100% of inputs and/or outputs at state 1.

(2)  $\sim$  24 V sensor voltage, provided by the  $\sim$  100...240 V power supply on basic configurations, is limited to supplying approx. 100 inputs. In excess of this, use a process power supply (see page 2/61).

# Modicon TSX Micro automation platform

## Power consumption of TSX Micro PLC modules

Reference	Format 1/2 : half S : standard	Number	Nominal currents consumed in mA (1)					
			Voltage $\approx$ 5 V Module	Total	Voltage $\approx$ 24 VR Module	Total	Voltage $\approx$ 24 V (2) Module	Total
<b>Report</b>								
<b>Communication</b>								
TSX CPP 110	-		60					
TSX ETZ 410/510	(4)							
TSX STZ 10	1/2		130					
TSX SAZ 10 (3)	1/2		100					
TSX SCP 111	-		140					
TSX SCP 112	-		120					
TSX SCP 114	-		150					
TSX FPP 10/20	-		330					
TSX MBP 100	-		220					
TSX P ACC 01	-		150					
<b>Terminals</b>								
FTX ADJ 117 02	-		310					
XBT H811050	-		150					
<b>Consumption by voltage</b>								
Total current (mA)								
$\sim$ power supplies	Nominal current	-	2800	500	400			
	Peak current		3200	600	600			
$\approx$ power supplies	Nominal current	-	2800	-	-			
	Peak current		3200	-	-			

(1) The first value corresponds to the module consumption with 60% of inputs and/or outputs at state 1 simultaneously. The second value is for 100% of inputs and/or outputs at state 1.

(2)  $\approx$  24 V sensor voltage, provided by the  $\sim$  100...240 V power supply on basic configurations, is limited to supplying approx. 100 inputs. In excess of this, use a process power supply (see page 2/61).

(3) (Consumption on  $\approx$  30 V of the power supply for the AS-i bus : 50 mA typical (100 mA max).

(4) External module to be supplied with  $\approx$  24 V: 100 mA typical (200 mA max).

### Standards and certifications

Modicon TSX Micro PLCs have been developed to conform to the principal national and international standards concerning electronic equipment for industrial automation systems.

- Requirements specific to programmable controllers: functional characteristics, immunity, resistance, safety, etc.: IEC 61131-2, CSA 22.2 N° 142, UL 508.
- Merchant navy requirements of the main international bodies: ABS, BV, DNV, GL, LR, RINA, RMRS, etc.
- Compliance with European Directives:
  - Low Voltage: 73/23/EEC amendment 93/68/EEC,
  - Electromagnetic Compatibility: 89/336/EEC amendments 92/31/EEC and 93/68/EEC.
- Electrical qualities and self-extinguishing capacity of insulating materials: UL 746C, UL 94.
- Hazardous areas classification: CSA 22.2 No. 213 Class I, Division 2 II , groups A, B, C and D .

### Characteristics

#### Service conditions and recommendations relating to environment

Temperature	Operation	° C	0...+ 60 (to IEC 61131-2, + 5...+ 55) 0...+ 70 with TSX FAN fan modules	
	Storage	° C	-25...+ 70 (according to IEC 61131-2)	
Relative humidity	Operation	%	10...95 without condensation	
	Storage	%	5...95 without condensation (according to IEC 61131-2)	
Altitude		m	0...2000	
Supply voltage			<b>TSX 37 10/21/22 1●●</b>	<b>TSX 37 05/08/10/21/22 0●●</b>
	Nominal voltage	V	--- 24	~ 100...240
	Limit voltages		--- 19..30	~ 90...264
	Nominal frequencies	Hz	–	50/60
	Limit frequencies	Hz	–	47/63

### Protective treatment of Modicon TSX Micro PLCs

TSX Micro PLCs meet the requirements of "TC" treatment (*Treatment for all Climates*).

For installations in industrial production workshops or environments corresponding to "TH" treatment (*Treatment for Hot and humid environments*), TSX Micro PLCs must be embedded in envelopes with a minimum IP 54 protection, in compliance with IEC 60664 and NF C 20 040.

TSX Micro PLCs themselves offer **protection to IP 20 level (1)**. They can therefore be installed without an envelope in reserved-access areas which do not exceed **pollution level 2** (control room with no dust-producing machine or activity). The pollution level 2 does not take account of more severe environmental conditions: air pollution by dust, smoke, corrosive or radioactive particles, vapours or salts, attack by fungi, insects, ...

### Environment tests

Name of test	Standards	Levels
<b>Immunity to LF interference (C€) (2)</b>		
Voltage and frequency variation	IEC/EN 61131-2	0.85 Un/0.95 Fn for 30 minutes; 1.15 Un/1.05 Fn for 30 minutes; 0.8 Un/0.9 Fn for 5 seconds; 1.2 Un/1.1 Fn for 5 seconds
Direct voltage variation	IEC/EN 61131-2	0.85 Un...1.2 Un for 30 minutes with 5% ripple (peak values)
Harmonic 3	IEC/EN 61131-2	10 % Un; 0°/5 min...180°/5 min
Short momentary interrupt	IEC/EN 61131-2	10 ms with ~ supply; 1 ms with --- supply
Voltage shut-down/start-up	IEC/EN 61131-2	Un-0-Un; Un for 60 s; 3 cycles separated by 10 s Un-0-Un; Un for 5 s; 3 cycles separated by 1 to 5 s Un-0.9-Udl; Un for 60 s; 3 cycles separated by 1 to 5 s

Where:  
Un: nominal voltage  
Fn: nominal frequency  
Udl: detection level when powered

(C€): tests required by European directives C€ and based on IEC / EN 61131-2 standards.  
(5) In the case where a position is not occupied by a module, a **TSX RAZ 01** protection cover must be installed.  
(6) Devices must be installed and wired in compliance with the instructions provided in the **TSX DG KBL E** manual "Electromagnetic compatibility of networks and field buses".

Name of test	Standards	Levels
<b>Immunity to HF interference. (C€) (1)</b>		
Damped oscillatory wave	IEC 61000-4-12	~ / = supply: 1kV in serial mode Discrete I/O ≥ 24V: 1 kV in serial mode
Electrical fast transient bursts	IEC 61000-4-4	~ / = supply: 2 kV in wire/common mode Discrete I/O > 48V: 2 kV in common mode; other ports: 1 kV in common mode
Surge	IEC 61000-4-5	~ / = supply: 2 kV in wire mode/1 kV in serial mode; Discrete I/O ~: 2 kV in wire mode/1 kV in serial mode; Discrete I/O =: 2 kV in wire mode/0.5 kV in serial mode; shielded cable: 1 kV in common mode
Electrostatic discharges	IEC 61000-4-2	6 kV contact, 8 kV air
Radiated electromagnetic field	IEC 61000-4-3	10 V/m; 80 MHz...2 GHz Sinusoidal modulation amplitude 80 %/1 kHz
Conducted interference induced by radiated field	IEC 61000-4-6	10 V/0,15 MHz...80 MHz Sinusoidal modulation amplitude 80%/1 kHz
<b>Electromagnetic emissions (C€) (1) (2)</b>		
Interference voltage	IEC 61000-6-4	Class A 150 kHz...500 kHz quasi-peak 79 dB (µV); average 66 dB (µV) 500 kHz...30 MHz quasi-peak 73 dB (µV); average 60 dB (µV)
Interference field	IEC 61000-6-4	Class A, 10 m measurement 30 MHz...230 MHz quasi-peak 40 dB (µV); 230 MHz...1 GHz quasi-peak 47 dB (µV)
<b>Immunity to climatic variations</b>		
Dry heat	IEC 60068-2-2 Bd	60 ° C for 16 hours (D.O); 40 ° C for 16 hours (D.C)
Cold	IEC 60068-2-1 Ad	0 ° C for 16 hours
Continuous humid heat	IEC 60068-2-3 Ca	60 ° C with 93 % relative humidity/96 hours (D.O); 40 ° C with 93...95 % relative humidity/96 hours (D.C);
Cyclical humid heat	IEC 60068-2-3 Db	[55 ° C (D.O)/40 ° C (D.O)] - 25 ° C with 93...95 % relative humidity; 2 cycles: 12 hours/12 hours
Cyclical temperature variations	IEC 60068-2-14 Nb	0 ° C...60 ° C/5 cycles: 6 hours/6 hours (D.O) 0 ° C...40 ° C/5 cycles: 6 hours/6 hours (D.C)
Temperature Rise	IEC 61131-2/UL 508 CSA 22-2 No.142	Ambient temperature: 60 ° C
<b>Withstand to climatic variations</b>		
Dry heat (power off)	IEC 60068-2-2 Bb	70 ° C for 96 hours
Cold (power off)	IEC 60068-2-1 Ab	-25 ° C for 96 hours
Humid heat (power off)	IEC 60068-2-30 dB	60 ° C-25 ° C with 93...95 % relative humidity; 2 cycles: 12 hours/12 hours
Heat shocks when not operational	IEC 60068-2-14 Na	- 25 ° C...70 ° C; 2 cycles: 3 hours/3 hours
<b>Immunity to mechanical constraints</b>		
Sinusoidal vibrations	IEC 60068-2-6 Fc IEC 60068-2-6 Fc	3 Hz...100 Hz/1 mm amplitude/0.7 g; endurance: fr/90 min/axis (application coefficient < 10) 10...150 Hz/150 µm amplitude/2 g; endurance: 10 cycles of 1 octave/min
Shocks	IEC 60068-2-27 Ea	15 g-11 ms; 3 shocks/direction/axis
<b>Withstand to mechanical constraints</b>		
Flat freefall	IEC 60068-2-32 Ed	10 cm/2 falls
Controlled position freefall	IEC 60068-2-31 Ec	30 ° or 10 cm/2 falls
Random freefall, equipment in packaging	IEC 60068-2-32 method 1	1 m/5 falls
<b>Equipment and personnel safety (1)</b>		
Dielectric strength and insulation resistance (C€)	UL 508/CSA 22-2 No.14 IEC 60950	= 24 V supply: no isolation; ~ 100/220V supply: 2,000 V rms Discrete I/O ≥ 48 V: 500 V rms; Discrete I/O > 48 V: 2,000 V rms; > 10 MΩ
Continuity of earth(C€)	UL 508 CSA 22-2 No.142	< 0,1 Ω/30 A/2 min
Leakage current (C€)	CSA 22-2 No.142/IEC 60950	< 3.5 mA fixed device
Protection offered by enclosures (C€)	CSA 22-2 No.142 IEC 60950	IP 20
Withstand to impacts	CSA 22-2 No.142/IEC 60950	500 g sphere: fall from 1.3 m

D.O: Device Open (device to be embedded in an envelope);  
D.C: Device Closed (device can be installed without envelope), see (1) page 6/6

(C€): tests required by European directives C€, and based on IEC / EN 61131-2 standards.

(1) Devices must be installed and wired in compliance with the instructions provided in the **TSX DG KBL E** manual "Electromagnetic compatibility of networks and field buses".

(2) These tests are performed without a cabinet, with devices **fixed on a metal grid** and wired as per the recommendations in the industrial **TSX DG KBL E** manual "Electromagnetic compatibility of networks and field buses".

# Modicon TSX Micro automation platform






## Automation products certifications

In some countries, certification of certain electrical components is enforced by law. A standard conformity certificate is then issued by the official organization. Each certified product must carry approval symbols when enforced. Use on board merchant navy vessels generally requires prior approval (= certification) of an electrical device by certain marine classification authorities.

Key	Certification body	Country
CSA	Canadian Standards Association	Canada
C-Tick	Australian Communication Authority	Australia
GOST	Institut de recherche Scientifique Gost Standardt	C.I.S., Russia
UL	Underwriters Laboratories	USA
Key	Classification authority	Country
ABS	American Bureau of Shipping	USA
BV	Bureau Veritas	France
DNV	Det Norske Veritas	Norway
GL	Germanischer Lloyd	Germany
LR	Lloyd's Register	United-Kingdom
RINA	Registro Italiano Navale	Italy
RMRS	Register of Shipping	C.I.S.

The table below shows the situation as of the 01.05.2002 for certifications obtained or pending from organizations for base PLCs. An overview of certificates for Telemecanique products is available on our Internet web site : [www.telemecanique.com](http://www.telemecanique.com)

### Product certifications

	Certifications					
	 UL	 CSA	 C-Tick	 SIMTARS	 GOST	Hazardous locations Class 1, div 2 (1)
	USA	Canada	Australia	Australia	CEI, Russia	US
Advantys STB						
CCX 17						
Lexium MHD/BPH						
Magelis iPC						
Magelis XBT-F/FC						
Magelis XBT-G/H/P/E/HM/PM						
Momentum						
Nano						
Premium						
Quantum						
TBX						
Telefast 2						
TSX Micro						
TSX/PMX 47 à 107						
Twido	(1)					
Twin Line						

(1) Hazardous locations: CSA 22.2 no. 213, certified products are suitable for use in Class I, division 2, groups A, B, C and D or non-hazardous locations only.  
 (2) cULus north-american certification (Canada and US).








Specific certifications		
BG	Germany	TSX DPZ 10D2A safety module (TSX Micro) TSX PAY 262/282 safety modules (Premium)
AS-Interface	Europe	TSX SAZ 10 master module (TSX Micro) TSX SAY 100/1000 master modules (Premium) TBX SAP 10 Fipio bus/AS-Interface bus gateway

# Modicon TSX Micro automation platform

## Automation products certifications

### Community regulations

#### Marine classification

	Marine classification des autorités						
	 ABS	 BV	 DNV	 GL	 LR	 RINA	 RMRS
	USA	France	Norway	Germany	Unit.-Kingdom	Italy	C.I.S.
Advantys STB							
CCX 17							
Lexium MHD/BPH							
Magelis iPC							
Magelis XBT-F/FC							
Magelis XBT-H/P/E/HM/PM							
Momentum							
Nano							
Premium							
Quantum							
TBX							
Telefast 2							
TSX Micro							
TSX/PMX 47 à 107							
Twido							
Twin Line							

#### Community regulations

##### European directives

The opening of European markets implies a harmonization of regulations in the various European Union member states.

European Directives are documents used to remove obstacles to the free movement of goods and their application is compulsory in all states of the European Union. Member states are obliged to transcribe each Directive into their national legislation and, at the same time, to withdraw any conflicting regulations.

The Directives, particularly those of a technical nature with which we are concerned, only set objectives, called "general requirements".

The manufacturer must take all necessary measures to ensure that his products conform to the requirements of each Directive relating to his equipment.

As a general rule, the manufacturer affirms that his product conforms to the necessary requirements of the Directive(s) by applying the **CE** label to his product.

**CE** marking is applied to Telemecanique products where relevant.

##### The significance of CE marking

■ **CE** marking on a product means that the manufacturer certifies that his product conforms to the relevant European Directives ; it is necessary in order that a product which is subject to a Directive(s) can be marketed and freely moved within the European Union.

■ **CE** marking is intended solely for the national authorities responsible for market regulation.

For electrical equipment, only conformity of the product to standards indicates that it is suitable for use, and only a guarantee by a recognised manufacturer can ensure a high level of quality.

One or more Directives, as appropriate, may apply to our products, in particular :

■ The Low Voltage Directive 72/23/EEC amended by Directive 93/68/EEC : **CE** marking under the terms of this Directive is compulsory as of 1 January 1997.

■ The Electromagnetic Compatibility Directive 89/336/EEC, amended by Directives 92/31/EEC and 93/68/EEC : **CE** marking on the products covered by this Directive has been compulsory since 1 January 1996.



# Schneider Electric worldwide

Up-dated: 28-07-2003

<b>Afghanistan</b>	Contacts are assured by	<b>Schneider Electric India</b>		
<b>Albania</b>	Contacts are assured by	<b>Schneider Electric Austria</b>		
<b>Algeria</b>	■ Schneider Electric	voie A Lot C22 Zone industrielle Rouiba - Alger	Tel. : +213 21 92 97 02 à 09 Fax : +213 21 92 97 00 à 01	
<b>Andorra</b>	Contacts are assured by	<b>Schneider Electric France</b>		
<b>Angola</b>	Contacts are assured by	<b>Schneider Electric South Africa</b>		
<b>Anguilla</b>	Contacts are assured by	<b>Schneider Electric Dominican Rep.</b>		
<b>Antartica</b>	Contacts are assured by	<b>Schneider Electric Brazil</b>		
<b>Antigua &amp; Barbuda</b>	Contacts are assured by	<b>Schneider Electric Dominican Rep.</b>		
<b>Argentina</b>	■ Schneider Argentina	Viamonte 2850 - 1678 Caseros (provincia Buenos Aires)	Tel.: +54 1 716 88 88 Fax: +54 1 716 88 33	<a href="http://www.schneider-electric.com.ar">www.schneider-electric.com.ar</a>
<b>Armenia</b>	Contacts are assured by	<b>Schneider Electric Russian Fed.</b>		
<b>Aruba</b>	Contacts are assured by	<b>Schneider Electric Dominican Rep.</b>		
<b>Australia</b>	■ Schneider Electric (Australia) Pty. Limited	2 Solent Circuit Norwest Business Park Baulkham Hill _ NSW 2153	Tel.: +61 298 51 28 00 Fax: +61 296 29 83 40	<a href="http://www.schneider.com.au">www.schneider.com.au</a>
<b>Austria</b>	■ Schneider Austria Ges.m.b.H.	Birostrasse 11 1239 Wien	Tel.: +431 610 540 Fax: +431 610 54 54	<a href="http://www.schneider-electric.at">www.schneider-electric.at</a>
<b>Azerbaijan</b>	Contacts are assured by	<b>Schneider Electric Russian Fed.</b>		
<b>Bahamas</b>	■ Schneider Electric	Union Village PO Box 3901 - Nassau	Tel. : +1 242 327 42 91 Fax : +1 242 327 42 91	<a href="http://www.squared.com">www.squared.com</a>
<b>Bahrain</b>	■ Schneider Electric	Floor 1 - Juma Building Abu Horaira Avenue PO Box 355 - 304 Manama	Tel.: +97 322 7897 Fax: +97 321 8313	
<b>Bangladesh</b>	Contacts are assured by	<b>Schneider Electric India</b>		
<b>Barbados</b>	Contacts are assured by	<b>Schneider Electric Dominican Rep.</b>		
<b>Belarus</b>	■ Schneider Electric Industries SA	Prospect Macherova 5, of. 202 220004 Minsk	Tel. : +375 172 23 75 50 Fax : +375 172 23 97 61	
<b>Belgium</b>	■ Schneider Electric nv/sa	Dieweg 3 B - 1180 Brussels	Tel.: +3223737711 Fax: +3223753858	<a href="http://www.schneider-electric.be">www.schneider-electric.be</a>
<b>Belize</b>	Contacts are assured by	<b>Schneider Electric USA</b>		
<b>Benin</b>	Contacts are assured by	<b>Schneider Electric Ivory Coast</b>		
<b>Bermuda</b>	Contacts are assured by	<b>Schneider Electric Dominican Rep.</b>		
<b>Bhutan</b>	Contacts are assured by	<b>Schneider Electric India</b>		
<b>Bolivia</b>	Contacts are assured by	<b>Schneider Electric Chile</b>		
<b>Bosnia and Herzegovina</b>	Contacts are assured by	<b>Schneider Electric Croatia</b>		
<b>Botswana</b>	Contacts are assured by	<b>Schneider Electric South Africa</b>		
<b>Bouvet island</b>	Contacts are assured by	<b>Schneider Electric Dominican Rep.</b>		
<b>Brazil</b>	■ Schneider Electric Brazil Ltda.	Avenida Das Nações Unidas 23223 Jurubatuba - CEP 04795-907 São Paulo-SP	Tel.: +55 55 24 52 33 Fax: +55 55 22 51 34	<a href="http://www.schneider-electric.com.br">www.schneider-electric.com.br</a>
<b>Brunei (Darussalam)</b>	Contacts are assured by	<b>Schneider Electric Singapore</b>		
<b>Bulgaria</b>	■ Schneider Electric	Expo 2000, Boulevard Vapzarov 1407 Sofiav	Tel.: +3592 919 42 Fax: +3592 962 44 39	<a href="http://www.schneiderelectric.bg">www.schneiderelectric.bg</a>
<b>Burkina Faso</b>	Contacts are assured by	<b>Schneider Electric Ivory Coast</b>		
<b>Burundi</b>	Contacts are assured by	<b>Schneider Electric Kenya</b>		
<b>Cambodia</b>	Contacts are assured by	<b>Schneider Electric Viet Nam</b>		
<b>Cameroon</b>	■ Schneider Electric Cameroon	166, rue de l'Hôtel de Ville BP12087 - Douala	Tel.: +237 343 38 84 Fax: +237 343 11 94	
<b>Canada</b>	■ Schneider Canada	19, Waterman Avenue M4 B1Y2 Toronto - Ontario	Tel.: +1 416 752 8020 Fax: +1 416 752 4203	<a href="http://www.schneider-electric.ca">www.schneider-electric.ca</a>
<b>Cape Verde</b>	Contacts are assured by	<b>Schneider Electric Senegal</b>		
<b>Caribee</b>	Contacts are assured by	<b>Schneider Electric Dominican Rep.</b>		
<b>Cayman islands</b>	Contacts are assured by	<b>Schneider Electric Dominican Rep.</b>		
<b>Central African Republic</b>	Contacts are assured by	<b>Schneider Electric Cameroon</b>		
<b>Chad</b>	Contacts are assured by	<b>Schneider Electric Cameroon</b>		
<b>Chile</b>	■ Schneider Electric Chile S.A.	Avda. Pde Ed. Frei Montalva, 6001-31 Conchali - Santiago	Tel.: +56 2 444 3000 Fax: +56 2 423 9335	<a href="http://www.schneider-electric.co.cl">www.schneider-electric.co.cl</a>
<b>China</b>	■ Schneider Beijing	Landmark bldg-Room 1801 8 North Dong Sanhuan Rd Chaoyang District 100004 Beijing	Tel.: +86 10 65 90 69 07 Fax: +86 10 65 90 00 13	<a href="http://www.schneider-electric.com.cn">www.schneider-electric.com.cn</a>

6





# Schneider Electric worldwide

Up-dated: 28-07-2003

<b>Christmas island</b>	Contacts are assured by	<b>Schneider Electric Australia</b>	
<b>Cocos (Keeling) islands</b>	Contacts are assured by	<b>Schneider Electric Australia</b>	
<b>Colombia</b>	■ Schneider Electric de Colombia S.A.	Calle 45A #102-48 Bogota DC	Tel.: +57 1 426 97 00 Fax: +57 1 426 97 40
<b>Comoros</b>	Contacts are assured by	<b>Schneider Electric la Reunion</b>	
<b>Congo</b>	Contacts are assured by	<b>Schneider Electric Cameroon</b>	
<b>Cook islands</b>	Contacts are assured by	<b>Schneider Electric Australia</b>	
<b>Costa Rica</b>	■ Schneider Centroamérica Ltda.	1.5 kms oeste de la Embajada Americana, Pavas, San José, Costa Rica C.A. Apartado: 4123-1000 San Jose	Tel.: +506 232-60-55 Fax: +506 232-04-26  <b>www.schneider-ca.com</b>
<b>Croatia</b>	■ Schneider Electric SA	Fallerovo Setaliste 22 HR - 10000 Zagreb	Tel.: +385 1 367 100 Fax: +385 1 367 111
<b>Cuba</b>	■ Schneider Electric	Bureau de Liaison de La Havane Calle 36- N°306-Apto1 Entre 3ra y 5ta Avenida Miramar Playa Habana	Tel.: +53 724 15 59 Fax: +53 724 12 17
<b>Cyprus</b>	■ Schneider Electric Cyprus	28 General Timayia Avenue Kyriakos Building, Block #A301 Larnaca 6046	Tel.: +00357 248 12646 Fax: +00357 246 37382
<b>Czech Republic</b>	■ Schneider Electric CZ, s.r.o.	Thámová 13 Praha 8 - 186 00	Tel.: +420 2 810 88 111 Fax: +420 2 24 81 08 49  <b>www.schneider-electric.cz</b>
<b>Democratic Rep. of Congo</b>	Contacts are assured by	<b>Schneider Electric Cameroon</b>	
<b>Denmark</b>	■ Schneider Electric A/S	Baltorpbakken 14 DK-2750 Ballerup	Tel.: +45 44 73 78 88 Fax: +45 44 68 5255  <b>www.schneider-electric.dk</b>
<b>Djibouti</b>	Contacts are assured by	<b>Schneider Electric Egypt</b>	
<b>Dominican Republic</b>	■ Schneider Electric	Calle Jacinto Manon Esq. Federico Geraldino Edificio D' Roca Plaza Suite 402, Ens. Paraiso - Santo Domingo	Tel.: +1 809 334 66 63 Fax: +1 809 334 66 68
<b>Ecuador</b>	■ Schneider Electric Ecuador SA	Av. Republica del Salvador 1082 y Nac Edificio Mansion Blanca-Quito	Tel. : +593 2 224 42 42 Fax : +593 2 224 42 94
<b>Egypt</b>	■ Schneider Electric Egypt sae	68, El Tayaran Street Nasr City, 11371 - Cairo	Tel.: +20 24 01 01 19 Fax: +20 24 01 66 87  <b>www.schneider.com.eg</b>
<b>El Salvador</b>	Contacts are assured by	<b>Schneider Electric USA</b>	
<b>Equatorial Guinea</b>	Contacts are assured by	<b>Schneider Electric Cameroon</b>	
<b>Eritrea</b>	Contacts are assured by	<b>Schneider Electric Egypt</b>	
<b>Estonia</b>	■ Lexel Electric	Ehitajate tee 110 EE 12618 Tallinn	Tel. : +372 650 97 00 Fax : +372 650 97 22
<b>Ethiopia</b>	Contacts are assured by	<b>Schneider Electric Egypt</b>	
<b>Falkland islands</b>	Contacts are assured by	<b>Schneider Electric Brazil</b>	
<b>Faroe islands</b>	Contacts are assured by	<b>Schneider Electric Australia</b>	
<b>Fiji</b>	Contacts are assured by	<b>Schneider Electric Australia</b>	
<b>Finland</b>	■ Schneider Electric Oy	Sinimäentie 14 02630 Espoo	Tel. : +358 9 527 000 Fax : +358 9 5270 0376  <b>www.schneider-electric.fi</b>
<b>France</b>	■ Schneider Electric SA	5, rue Nadar 92500 Rueil Malmaison	Tel.: +33 (0)1 41 29 82 00 Fax: +33 (0)1 47 51 80 20  <b>www.schneider-electric.fr</b>
<b>French Polynesia</b>	Contacts are assured by	<b>Schneider Electric Australia</b>	
<b>French West Indies</b>	Contacts are assured by	<b>Schneider Electric Dominican Rep.</b>	
<b>Gabon</b>	Contacts are assured by	<b>Schneider Electric Cameroon</b>	
<b>Gambia</b>	Contacts are assured by	<b>Schneider Electric Senegal</b>	
<b>Georgia</b>	Contacts are assured by	<b>Schneider Electric Russian Fed.</b>	
<b>Germany</b>	■ Schneider Electric GmbH	Gothaer Straße 29 D-40880 Ratingen	Tel.: +49210 240 40 Fax: +492 10 240 49 256  <b>www.schneiderelectric.de</b>
<b>Ghana</b>	■ Schneider Electric Ghana	PMB Kia 3rd Floor Opeibea House Airport Commercial Center Liberation road - Accra	Tel. : +233 21 70 11 687 Fax : +233 21 77 96 22
<b>Gibraltar</b>	Contacts are assured by	<b>Schneider Electric Spain</b>	
<b>Greece</b>	■ Schneider Electric AE	14th km - RN Athens-Lamia GR - 14564 Kifissia	Tel.: +302 106 29 52 00 Fax: +302 106 29 52 10  <b>www.schneider-electric.com.gr</b>
<b>Greenland</b>	Contacts are assured by	<b>Schneider Electric United States</b>	
<b>Grenada</b>	Contacts are assured by	<b>Schneider Electric Dominican Rep.</b>	
<b>Guadeloupe</b>	Contacts are assured by	<b>Schneider Electric Martinique</b>	
<b>Guam</b>	Contacts are assured by	<b>Schneider Electric Australia</b>	



# Schneider Electric worldwide

Up-dated: 28-07-2003

<b>Guatemala</b>	Contacts are assured by	<b>Schneider Electric United States</b>	
<b>Guinea-Bissau</b>	Contacts are assured by	<b>Schneider Electric Sénégal</b>	
<b>Guinea</b>	Contacts are assured by	<b>Schneider Electric Ivory Coast</b>	
<b>Guyana</b>	Contacts are assured by	<b>Schneider Electric United States</b>	
<b>Haiti</b>	Contacts are assured by	<b>Schneider Electric Dominican Rep.</b>	
<b>Heard &amp; Mac Donald isl.</b>	Contacts are assured by	<b>Schneider Electric Australia</b>	
<b>Honduras</b>	Contacts are assured by	<b>Schneider Electric United States</b>	
<b>Hong Kong</b>	■ Schneider Electric (Hong Kong) Ltd	Room 3108-28, 31th Floor, Sun Hung Kai Centre, 30 Harbour Road, Wanchai	Tel.: +852 25 65 06 21 Fax: +852 28 11 10 29
<b>Hungary</b>	■ Schneider Electric Hungária Villamossági Rt.	Fehérvári út 108 – 112 H-1116 Budapest	Tel.: +36 1 382 26-06 Fax: +36 1 206 1429
<b>Iceland</b>	Contacts are assured by	<b>Schneider Electric Denmark</b>	
<b>India</b>	■ Schneider Electric India	Max House, 1 Dr Jha Marg, Okhla 110 020 New Dehli	Tel. : +91 11 631 85 84 Tel. : +91 11 631 71 61
<b>Indonesia</b>	■ P.T. Schneider Indonesia	Ventura Building 7th Floor Jalan R.A. Kartini Kav.26 Cilandak - 12430 Jakarta	Tel.: +62 +21 750 44 06 Fax: +62 +21 750 44 15/ 16
<b>Iran (Islamic Republic of)</b>	■ Telemecanique Iran	1047 Avenue VALI ASSR P.O. Box 15875-3547 15116 Teheran	Tel.: +98 218 71 01 42 Fax: +98 218 71 81 87
<b>Irak</b>	■ Schneider Electric Industries SA	38050 Grenoble Cedex 9	Tel.: +33 04 76 60 54 27 Fax: +33 04 76 60 56 60
<b>Ireland</b>	■ Schneider Electric Ireland	Maynooth Road Cellbridge - Co. Kildare	Tel.: +353+0 1 6012200 Fax: +353+0 1 6012201
<b>Italy</b>	■ Schneider Electric S.p.A.	Centro Direzionale Colleoni Palazzo Sirio - Viale Colleoni, 7 20041 Agrate Brianza (Mi)	Tel.: +39 39 655 8111 Fax: +39 39 605 6237
<b>Ivory Coast</b>	■ Schneider Electric Afrique de l'Ouest	Rue Pierre et Marie Curie 18 BP 2027 Abidjan 18	Tel.: +225 21 75 00 10 Fax: +225 21 75 00 30
<b>Jamaica</b>	■ Schneider Electric	Shop#5, Plaza Dunrobin 30 Dunrobin Avenue - Kingstown	Tel. : +1876 755 41 27 Tel. : +931 87 74
<b>Japan</b>	■ Schneider Electric Japan Ltd	Torigoe F. Bldg 1-8-2, Torigoe Taito-Ku - 111-0054 Tokyo	Tel.: +81 358 35 35 81 Fax: +81 358 35 35 85
<b>Jordan</b>	■ Schneider Electric Industr. Jordan	Jordan University Street Abu Al Haj Commercial Complex 2nd Floor - Office # 202 - Amman	Tel.: 962 65 16 78 87 Fax: 962 65 16 79 1
<b>Kazakstan</b>	■ Schneider Electric Kazakhstan Liaison Office	Prospekt Abaia 157 off 9 480009 Almaty	Tel. : +7 327 250 93 88 Tel. : +7 327 250 63 70
<b>Kenya</b>	■ Schneider East Africa	Power Technics Complex Monbasa Road - PO Box 46345 Nairobi	Tel. : +254 2.824.156 Fax : +254 2.824.157
<b>Kiribati</b>	Contacts are assured by	<b>Schneider Electric Australia</b>	
<b>Korea</b>	■ Schneider Electric Korea Ltd	3Floor, Cheil Bldg., 94-46, 7-Ka Youngdeungpodong, Youngdeungpo-ku 150-037 Seoul	Tel. : +82 2 2630 9700 Fax : +82 2 2630 9800
<b>Kurdistan</b>	Contacts are assured by	<b>Schneider Electric Russian Fed.</b>	
<b>Kuwait</b>	■ Schneider Electric Kuwait	Al Gaas Tower - Sharq 2nd Floor PO Box 20092 - 13 061 Safat	Tel.: +965 240 75 46 Fax: +965 240 75 06
<b>Kyrgyz Republic</b>	Contacts are assured by	<b>Schneider Electric Russian Fed.</b>	
<b>Laos</b>	Contacts are assured by	<b>Schneider Electric Thailand</b>	
<b>Latvia</b>	■ Lexel Electric	60A A.Deglava str. LV1035 Riga	Tel. : +371 780 23 74/75 Fax : +371 754 62 80
<b>Lebanon</b>	■ Schneider Electric Liban	Tabaris, Avenue Charles Malek Immeuble Ashada, 8 P.O. Box 166223 - Beyrouth	Tel. : +961 1 20 46 20 Tel. : +961 1 20 31 19
<b>Lesotho</b>	Contacts are assured by	<b>Schneider Electric South Africa</b>	
<b>Liberia</b>	Contacts are assured by	<b>Schneider Electric Ghana</b>	
<b>Libya</b>	Contacts are assured by	<b>Schneider Electric Tunisia</b>	
<b>Liechtenstein</b>	Contacts are assured by	<b>Schneider Electric Switzerland</b>	
<b>Lithuania</b>	■ Lexel Electric	44, Verkiu str. LT-2012 Vilnius	Tel. : +370 278 59 59/61 Fax : +370 278 59 60
<b>Loro Sae</b>	Contacts are assured by	<b>Schneider Electric Australia</b>	
<b>Luxembourg</b>	■ Schneider Electric Industrie SAS	Agence de Metz 1, Rue Graham Bell - BP n° 35190 57075 Metz cedex 3 - France	Tel: 33 03 87 39 06 03 Fax: 33 03 87 74 25 96

6



# Schneider Electric worldwide

Up-dated: 28-07-2003

<b>Macau</b>	Contacts are assured by	<b>Schneider Electric China</b>		
<b>Macedonia</b>	Contacts are assured by	<b>Schneider Electric Bulgaria</b>		
<b>Madagascar</b>	Contacts are assured by	<b>Schneider Electric la Reunion</b>		
<b>Malawi</b>	Contacts are assured by	<b>Schneider Electric South Africa</b>		
<b>Malaysia</b>	■ Schneider Electric (Malaysia) Sdn Bhd	No.11 Jalan U1/19, Seksyen U1 Hicom-Glenmarie Industrial Park 40150 Shah Alam Selangor Darul Ehsan	Tel.: (603) 7883 6333 Fax: (603) 7883 6188	<a href="http://www.schneider-electric.com.my">www.schneider-electric.com.my</a>
<b>Maldives</b>	Contacts are assured by	<b>Schneider Electric Reunion</b>		
<b>Mali</b>	Contacts are assured by	<b>Schneider Electric Senegal</b>		
<b>Malta</b>	Contacts are assured by	<b>Schneider Electric Tunisia</b>		
<b>Marshall islands</b>	Contacts are assured by	<b>Schneider Electric Australia</b>		
<b>Martinique</b>	■ Schneider Electric	Schneider Electric Immeuble Cottrell - ZI de la Lézarde 97232 Le Lamentin	Tel.: +05 96 51 06 00 Fax: +05 96 51 11 26	
<b>Mauritania</b>	Contacts are assured by	<b>Schneider Electric Senegal</b>		
<b>Mauritius</b>	■ Schneider Electric	Route côtière Calodyne - Mauritius	Tel.: 230 282 18 83 Fax: 230 282 18 84	
<b>Mayotte</b>	Contacts are assured by	<b>Schneider Electric Reunion</b>		
<b>Mexico</b>	■ Groupe Schneider Mexico	Calz. Rojo Gomez N° 1121-A Col. Guadalupe del Moral México, D.F. - C.P. 09300	Tel.: +525 686 30 00 Fax: +525 686 24 09	<a href="http://www.schneider-electric.com.mx">www.schneider-electric.com.mx</a>
<b>Micronesia</b>	Contacts are assured by	<b>Schneider Electric Australia</b>		
<b>Moldova</b>	Contacts are assured by	<b>Schneider Electric Romania</b>		
<b>Monaco</b>	Contacts are assured by	<b>Schneider Electric France</b>		
<b>Mongolia</b>	Contacts are assured by	<b>Schneider Electric Russian Fed.</b>		
<b>Montserrat</b>	Contacts are assured by	<b>Schneider Electric Dominican Rep.</b>		
<b>Morocco</b>	■ Schneider Electric Morocco	26, rue Ibnou Khalikane Quartier Palmiers 20100 Casablanca	Tel.: +212 299 08 48 to 57 Fax: +212 299 08 67 and 69	<a href="http://www.schneider.co.ma">www.schneider.co.ma</a>
<b>Mozambique</b>	Contacts are assured by	<b>Schneider Electric South Africa</b>		
<b>Myanmar</b>	Contacts are assured by	<b>Schneider Electric Singapore</b>		
<b>Namibia</b>	Contacts are assured by	<b>Schneider Electric South Africa</b>		
<b>Nauru</b>	Contacts are assured by	<b>Schneider Electric Australia</b>		
<b>Nepal</b>	Contacts are assured by	<b>Schneider Electric India</b>		
<b>Netherlands</b>	■ Schneider Electric BV	Waarderweg 40 - Postbus 836 2003 RV Haarlem	Tel.: +31 23 512 4124 Fax: +31 23 512 4100	<a href="http://www.schneider-electric.nl">www.schneider-electric.nl</a>
<b>Netherlands Antilles</b>	Contacts are assured by	<b>Schneider Electric Dominican Rep.</b>		
<b>New Caledonia</b>	Contacts are assured by	<b>Schneider Electric Australia</b>		
<b>New Zealand</b>	■ Schneider Electric (NZ) Ltd	14 Charann Place Avondale P.O. Box 15355 - New Lynn Auckland	Tel.: +64 9 829 04 90 Fax: +64 9 829 04 91	<a href="http://www.schneider-electric.co.nz">www.schneider-electric.co.nz</a>
<b>Nicaragua</b>	Contacts are assured by	<b>Schneider Electric United States</b>		
<b>Niger</b>	Contacts are assured by	<b>Schneider Electric Ivory Coast</b>		
<b>Nigeria</b>	■ Schneider Electric Nigeria Limited	Biro plaza - 8th Floor - Plot 634 Abeyemo Alakija Street Victoria Islan - Lagos	Tel.: +234 1 2702973 Fax: +234 1 2702976	
<b>Niue</b>	Contacts are assured by	<b>Schneider Electric Australia</b>		
<b>Norfolk island</b>	Contacts are assured by	<b>Schneider Electric Australia</b>		
<b>North Korea</b>	Contacts are assured by	<b>Schneider Electric China</b>		
<b>Northern Mariana islands</b>	Contacts are assured by	<b>Schneider Electric Australia</b>		
<b>Norway</b>	■ Schneider Electric Norge A/S	Solgaard Skog 2 Postboks 128 - 1501 Moss	Tel.: +47 6924 9700 Fax: +47 6925 7871	<a href="http://www.schneider-electric.no">www.schneider-electric.no</a>
<b>Oman</b>	■ Schneider Electric CA	c/o Arab Development Co PO Box 439 - 113 Muscat	Tel.: +968 77 163 64 Fax: +968 77 104 49	
<b>Pakistan</b>	■ Schneider Electric Pakistan	43-L, 2nd floor, M.M. Alam Road, Gulberg II - Lahore	Tel.: +92 42 5754471 à 73 Fax: +92 42 5754474	
<b>Palau</b>	Contacts are assured by	<b>Schneider Electric Australia</b>		
<b>Panama</b>	Contacts are assured by	<b>Schneider Electric United States</b>		
<b>Papua New Guinea</b>	Contacts are assured by	<b>Schneider Electric Australia</b>		
<b>Paraguay</b>	Contacts are assured by	<b>Schneider Electric Uruguay</b>		



# Schneider Electric worldwide

Up-dated: 28-07-2003

<b>Peru</b>	■ Schneider Electric Peru S.A.	Los Telares n°231 Urb. Vulcano, Ate Lima 03	Tel.: +511 348 44 11 Fax: +511 348 05 23	<a href="http://www.schneider-electric.com.pe">www.schneider-electric.com.pe</a>
<b>Philippines</b>	■ Schneider Electric Philippines, Inc	5th Floor, ALCO Building 391 Sen. Gil Puyat Avenue Makati 1209	Tel. : +632 896 6063 Fax : +632 896 7229	
<b>Pitcairn</b>	Contacts are assured by	<b>Schneider Electric Australia</b>		
<b>Poland</b>	■ Schneider Electric Polska Sp.zo.o.	ul. Lubinowa 4a 03-878 - Warszawa	Tel.: +48 22 511 8 200 Fax: +48 22 511 8 210	<a href="http://www.schneider-electric.pl">www.schneider-electric.pl</a>
<b>Portugal</b>	■ Schneider Electric Portugal	Av.do Forte, 3 Edificio Suécia II, Piso 3-A CP 2028 Carnaxide 2795 Linda-A-Velha	Tel.: +351 21 416 5800 Fax: +351 21 416 5857	<a href="http://www.schneiderelectric.pt">www.schneiderelectric.pt</a>
<b>Puerto Rico</b>	Contacts are assured by	<b>Schneider Electric United States</b>		
<b>Qatar</b>	■ Schneider Electric Qatar Branch	c/o Khalifa BinFahred Al Thani Trad.and Co - P.O. Box 4484 Doha	Tel.: +97 4424358 Fax: +97 4424358	
<b>Reunion</b>	■ Schneider Electric	Immeuble Futura, 190, rue des 2 canons BP 646 - 97497 Sainte Clothilde	Tel.: +262 28 14 28 Fax: +262 28 39 37	
<b>Romania</b>	■ Schneider Electric	Bd Ficusului n°42 Apimondia, Corp.A, et.1, Sector 1 Bucuresti	Tel.: +401 203 06 50 Fax: +401 232 15 98	<a href="http://www.schneider-electric.ro">www.schneider-electric.ro</a>
<b>Russian Federation</b>	■ Schneider Electric ZAO	Enisseyskaya 37 129 281 Moscow	Tel.: +7095 797 40 00 Fax: +7095 797 40 03	<a href="http://www.schneider-electric.ru">www.schneider-electric.ru</a>
<b>Rwanda</b>	Contacts are assured by	<b>Schneider Electric Kenya</b>		
<b>Samoa</b>	Contacts are assured by	<b>Schneider Electric Australia</b>		
<b>San Marino</b>	Contacts are assured by	<b>Schneider Electric Italy</b>		
<b>Sandwich &amp; Georgia island</b>	Contacts are assured by	<b>Schneider Electric Australia</b>		
<b>Sao Tome &amp; Principe</b>	Contacts are assured by	<b>Schneider Electric Senegal</b>		
<b>Saudi Arabia</b>	■ Schneider Electric	Second Industrial City P.O. Box 89249 - 11682 Riyadh	Tel.: +966 1 265 1515 Fax: +966 1 265 1860	
<b>Senegal</b>	■ Schneider Electric Sénégal	BP 15952 - Dakar-Fann Rond point N'Gor - Dakar	Tel.: +221 820 68 05 Fax: +221 820 58 50	
<b>Seychelles</b>	Contacts are assured by	<b>Schneider Electric Reunion</b>		
<b>Sierra Leone</b>	Contacts are assured by	<b>Schneider Electric Ghana</b>		
<b>Singapore</b>	■ Schneider Electric Singapore Pte Ltd	10 Ang Mo Kio Street 65 #02-17/20 TechPoint Singapore 569059	Tel.: +65 484 78 77 Fax: +65 484 78 00	<a href="http://www.schneider-electric.com.sg">www.schneider-electric.com.sg</a>
<b>Slovak Republic</b>	■ Schneider Electric Slovakia spol s.r.o.	Borekova 10 SK-821 06 Bratislava	Tel. : +02 45 52 40 10 and 40 30 Fax : +02 45 52 40 00	<a href="http://www.schneider-electric.sk">www.schneider-electric.sk</a>
<b>Slovenia</b>	■ Schneider Electric, d.o.o.	Dunasjka 47 1000 Ljubljana	Tel. : +386 1 23 63 555 Fax : +386 1 23 63 559	<a href="http://www.schneider-electric.si">www.schneider-electric.si</a>
<b>Solomon islands</b>	Contacts are assured by	<b>Schneider Electric Australia</b>		
<b>Somalia</b>	Contacts are assured by	<b>Schneider Electric Egypt</b>		
<b>South Africa</b>	■ Schneider Electric South Africa (PTY) Ltd	Private Bag X139 Halfway House 1685 - Midrand.	Tel.: +27 11 254 6400 Fax: +27 11 315 8830	<a href="http://www.schneider-electric.co.za">www.schneider-electric.co.za</a>
<b>Spain</b>	■ Schneider Electric España, S.A.	Pl. Dr. Letamendi, 5-7 08007 Barcelona	Tel.: +34 93 484 3100 Fax: +34 93 484 3308	<a href="http://www.schneiderelectric.es">www.schneiderelectric.es</a>
<b>Sri Lanka</b>	■ Schneider Electric Industries SA	Liaison office SRI Lanka Level 3B Valiant towers 46/7 Nawam Mawatha-Colombo 2	Tel. : +94 77 48 54 89	<a href="http://www.schneiderelectric-in.com">www.schneiderelectric-in.com</a>
<b>St Helena</b>	Contacts are assured by	<b>Schneider Electric Italy</b>		
<b>St Kitts &amp; Nevis</b>	Contacts are assured by	<b>Schneider Electric Dominican Rep.</b>		
<b>St Lucia</b>	Contacts are assured by	<b>Schneider Electric Dominican Rep.</b>		
<b>St Pierre et Miquelon</b>	Contacts are assured by	<b>Schneider Electric Dominican Rep.</b>		
<b>St Vincent &amp; Grenadines</b>	Contacts are assured by	<b>Schneider Electric Dominican Rep.</b>		
<b>Sudan</b>	Contacts are assured by	<b>Schneider Electric Egypt</b>		
<b>Suriname</b>	Contacts are assured by	<b>Schneider Electric United States</b>		
<b>Svalbard &amp; Jan Mayen isl.</b>	Contacts are assured by	<b>Schneider Electric Denmark</b>		
<b>Swaziland</b>	Contacts are assured by	<b>Schneider Electric South Africa</b>		
<b>Sweden</b>	■ Schneider Electric AB	Djupdalsvägen 17/19 19129 Sollentuna	Tel.: +46 8 623 84 00 Fax: +46 8 623 84 85	<a href="http://www.schneider-electric.se">www.schneider-electric.se</a>
<b>Switzerland</b>	■ Schneider Electric (Switzerland) S.A.	Schermerwaldstrasse 11 CH - 3063 Ittigen	Tel.: +41 31 917 3333 Fax: +41 31 917 3355	<a href="http://www.schneider-electric.ch">www.schneider-electric.ch</a>

6



# Schneider Electric worldwide

Up-dated: 28-07-2003

<b>Syrian Arab Republic</b>	■ Schneider Electric Syria	Elba Street - Malki Gheibeh and Qassas bldg, 1st floor PO Box 33876-Damascus	Tel. : +963 11 37 49 88 00 Fax : +963 11 37 17 55 9	
<b>Taiwan, Republic of China</b>	■ Schneider Electric Taiwan Co Ltd	2Fl., N°37, Ji-Hu Road, Nei-Hu Dist., Taipei 114	Tel. : +886 2 8751 6388 Fax : +886 2 8751 6389	<a href="http://www.schneider-electric.com.tw">www.schneider-electric.com.tw</a>
<b>Tajikistan</b>	Contacts are assured by	<b>Schneider Electric Russian Fed.</b>		
<b>Tanzania, United Rep. of</b>	Contacts are assured by	<b>Schneider Electric Kenya</b>		
<b>Thailand</b>	■ Schneider (Thailand) Ltd	20th Floor Richmond Building 75 Sukhumvit 26 Road, Klongtoey Bangkok 10110	Tel.: +662 204 9888 Fax: +662 204 9816	<a href="http://www.schneider-electric.co.th">www.schneider-electric.co.th</a>
<b>Togo</b>	Contacts are assured by	<b>Schneider Electric Ivory Coast</b>		
<b>Tokelau</b>	Contacts are assured by	<b>Schneider Electric Australia</b>		
<b>Tonga</b>	Contacts are assured by	<b>Schneider Electric Australia</b>		
<b>Trinidad &amp; Tobago</b>	■ Schneider Electric	6, 1st Street West Ext. Beaulieu Avenue Trincity Trinidad West Indies	Tel.: 1868 640 42 04 Fax: 1868 640 42 04	
<b>Tunisia</b>	■ Schneider Electric Tunisia	Rue du Lac Oubeira 1053 Les Berges du Lac - Tunis	Tel.: +216 71 960 477 Fax: +216 71 960 342	
<b>Turkey</b>	■ Schneider Elektrik Sanayi Ve Ticaret A.S.	Tütüncü Mehmet Efendi Cad. N°:110 Kat 1-2 - 81080 Göztepe - Istanbul	Tel.: +90 21 63 86 95 70 Fax: +90 21 63 86 38 75	<a href="http://www.schneiderelectric.com.tr">www.schneiderelectric.com.tr</a>
<b>Turkmenistan</b>	■ Schneider Electric Turkmenistan Liaison Office	rue Neitralny Turkmenistan 28, off.326/327 74 000 Achgabad	Tel. : +993 12 46 29 52 Fax : +993 12 46 29 52	
<b>Turks &amp; Caicos islands</b>	Contacts are assured by	<b>Schneider Electric Dominican Rep.</b>		
<b>Tuvalu</b>	Contacts are assured by	<b>Schneider Electric Australia</b>		
<b>Uganda</b>	Contacts are assured by	<b>Schneider Electric Kenya</b>		
<b>Ukraine</b>	■ Schneider Electric	Rue Krechtchalik 2 252601 Kiev	Tel.: +380 44 462 04 25 Fax: +380 44 462 04 24	<a href="http://www.schneider-electric.com.ua">www.schneider-electric.com.ua</a>
<b>United Arab Emirates</b>	■ Schneider Electric Abu Dhabi	PO Box 29580 Office Floor 2/Lulu Street Al Marina Plaza Tower Abu Dhabi	Tel.: +9712 6 339444 Fax: +9712 6 316606	
<b>United Kingdom</b>	■ Schneider Electric Ltd	Braywick House East Windsor Road - Maidenhead Berkshire SL6 1 DN	Tel.: +44 (0)1 628 508 500 Fax: +44 (0)1 628 508 508	<a href="http://www.schneider.co.uk">www.schneider.co.uk</a>
<b>United States</b>	■ Schneider Electric	North American Division 1415 Roselle Road Palatine - IL 60067	Tel.: +1 847 397 2600 Fax: +1 847 925 7500	<a href="http://www.squared.com">www.squared.com</a>
<b>Uruguay</b>	■ Schneider Electric Uruguay S.A.	Ramon Masini 3190 Montevideo	Tel. : +59 82 707 2392 Fax : +59 82 707 2184	
<b>Uzbekistan</b>	Contacts are assured by	<b>Schneider Electric Russian Fed.</b>		
<b>Vanuatu</b>	Contacts are assured by	<b>Schneider Electric Australia</b>		
<b>Vatican city St./Holy See</b>	Contacts are assured by	<b>Schneider Electric Italy</b>		
<b>Venezuela</b>	■ Schneider Mg SD TE, S.A	Calle 162/ Piso 2 Edificio Centro Cynamid La Urbina, 1070 - 75319 Caracas	Tel.: +58 2 241 13 44 Fax: +58 2 243 60 09	<a href="http://www.schneider-electric.com.ve">www.schneider-electric.com.ve</a>
<b>Viet Nam</b>	■ R.R.O. of Schneider Electric Industries S.A.S. in Viet Nam	Unit 2.9, 2nd Floor, e-Town Building 364 Cong Hoa Street Tan Binh District - Ho Chi Minh City	Tel.: +84 8 8103 103 Fax: +84 8 8120 477	
<b>Virgin islands</b>	Contacts are assured by	<b>Schneider Electric Dominican Rep.</b>		
<b>Wallis &amp; Futuna islands</b>	Contacts are assured by	<b>Schneider Electric Australia</b>		
<b>Western Sahara</b>	Contacts are assured by	<b>Schneider Electric Morocco</b>		
<b>Yemen</b>	Contacts are assured by	<b>Schneider Electric U.A.E.</b>		
<b>Yugoslavia</b>	■ Schneider Electric Jugoslavija d.o.o.	Ratarski put 27d 11186 Belgrade	Tel.: +381 11 192 414 Fax: +381 11 107 125	
<b>Zambia</b>	■ Schneider Zambia	Zambia Office c/o Matipi Craft Center Building Plot 1036 - Accra Road PO Box 22792 - Kitwe	Tel.: +260 222 22 52 Fax: +260 222 83 89	
<b>Zimbabwe</b>	■ Schneider Electric	Zimbabwe Liaison Office 75A Second Street (corner Livingstone Avenue) Harare	Tel.: +263 4 707 179/180 Fax: +263 4 707 176	



# Product reference index

TSX AMN 4000	2/25	TSX DSZ 08R5	2/13	TSX PCX 3030	4/63,
TSX AMN 4001	2/25	TSX DSZ 08T2	2/13		4/65, 4/66, 4/67 and 5/19
TSX AMZ 600	3/9	TSX DSZ 08T2K	2/13	TSX PLP 01	1/16
TSX ASZ 200	3/9	TSX DSZ 32R5	2/13	TSX PLP 101	1/16
TSX ASZ 401	3/9	TSX DSZ 32T2	2/13	TSX PRG LDR	1/16
TSX BAT M01	1/16	TSX EF ACC7	4/58	TSX RAZ 01	1/16
TSX BAT M01	5/29	TSX EF ACC99	4/58	TSX RKZ 02	1/15
				TSX SAZ 10	4/27
TSX BLZ H01	2/14	TSX andH NTR1	4/21		
TSX BLZ H01	3/9	TSX andZ 410	4/15	TSX SCA 10	4/36
TSX BLZ L01	2/14	TSX andZ 510	4/15	TSX SCA 50	4/15,
TSX CAP H15	3/19	TSX FAN A5P	1/16		4/36 and 4/63
	and 3/24	TSX FAN A4P	1/16	TSX SCA 64	4/36
TSX CAP S15	3/9	TSX FAN D2P	1/16		and 4/63
	and 3/19	TSX FP ACC 3	4/53	TSX SCA 72	4/36
TSX CAP S9	3/24	TSX FP ACC 4	4/53		and 4/63
TSX CCP H15	3/19	TSX FP ACC12	4/58	TSX SCP 111	4/36,
	and 3/24	TSX FP ACC14	4/58		4/63 and 4/65
TSX CCP S15 050	3/9	TSX FP ACC2	4/58	TSX SCP 112	4/36,
	and 3/19	TSX FP ACC3	4/58		4/63 and 4/65
TSX CCP S15 100	3/9	TSX FP ACC4	4/58	TSX SCP 114	4/36
	and 3/19	TSX FP ACC6	4/58		4/63 and 4/65
TSX CCP S15	3/9	TSX FP ACC8M	4/58	TSX SCP CC	4/37
	and 3/19	TSX FP ACC9	4/58	1030	
TSX CD DRV 20M	4/63	TSX FP CA100	4/59		4/65 and 4/66
TSX CDP 053	2/14	TSX FP CA200	4/59	TSX SCP CD	4/37
	and 3/19	TSX FP CA500	4/59	1030	
TSX CDP 1001	2/14	TSX FP CC100	4/59	TSX SCP CD	4/65
	and 3/19	TSX FP CC200	4/59	1030	and 4/66
TSX CDP 1003	2/14	TSX FP CC500	4/59	TSX SCP CD	4/37
	and 3/19	TSX FP CE030	4/59	1100	
TSX CDP 102	2/14	TSX FP CF100	4/59		4/65 and 4/66
	and 3/19	TSX FP CF200	4/59	TSX SCP CM	4/37
TSX CDP 103	2/14	TSX FP CF500	4/59	4030	and 4/66
	and 3/19	TSX FP CG 010	4/49	TSX SCP CM	4/37
TSX CDP 202	2/14		and 4/53	4530	and 4/66
	and 3/19	TSX FP CG 030	4/49	TSX SCP CU	4/63
TSX CDP 203	2/14		and 4/53	4030	and 4/66
	and 3/19	TSX FP CP100	4/59	TSX SCP CU	4/63
TSX CDP 301	2/14	TSX FP CP500	4/59	4530	and 4/66
	and 3/19	TSX FP JF020	4/59	TSX SCP CX	4/37,
TSX CDP 302	2/14	TSX FPC10M	4/58	2030	
	and 3/19	TSX FPP 10	4/53		4/65 and 4/66
TSX CDP 303	2/14	TSX FPP 10	3/13	TSX SCP CX	4/37,
	and 3/19	TSX FPP 10	4/55	4030	
TSX CDP 501	2/14	TSX FPP 20	4/49		4/65 and 4/66
	and 3/19	TSX FPP OZD	4/55	TSX SCY 11601	4/36
TSX CDP 503	2/14			TSX SCY 21601	4/36,
	and 3/19	TSX MBP 100	4/37		4/49, 4/63 and 4/65
TSX CPP 110	4/25	TSX MBP CE 002	4/37	TSX SCY CM	4/37
TSX CSA 100	4/37	TSX MBP CE 030	4/37	6030	and 4/67
	and 4/63	TSX MBP CE 060	4/37	TSX SCY CM	4/37
TSX CSA 200	4/37	TSX MFP 0128P	1/16	6530	
	and 4/63		and 3/13	TSX SCY CU	4/63,
TSX CSA 500	4/37	TSX MFP 032P	1/16	6030	4/65 and 4/67
	and 4/63	TSX MFP 064P	1/16	TSX SCY CU	4/63
TSX CTC 07	4/67		and 3/13	6530	
TSX CTC 10	4/67	TSX MFP 232P	1/16	TSX SCY CU	4/67
TSX CTZ 1A	3/19	TSX MFP 264P	1/16	6530	
TSX CTZ 1B	3/24	TSX	1/16	TSX TAP S15 05	3/19
TSX CTZ 2A	3/19	MFP BAK 032P		TSX TAP S15 24	3/19
TSX CTZ 2AA	3/19	TSX MRP 0128P	1/16	TSX MRP 032P	3/13
TSX CX 100	4/15		and 3/13		
TSX DEZ 08A4	2/13	TSX MRP 032P	1/16	X	
TSX DEZ 08A5	2/13	TSX MRP 064P	1/16	XBT Z968	4/67
TSX DEZ 12D2	2/13		and 3/13	XBT Z9681 4/67	4/67
TSX DEZ 12D2K	2/13	TSX MRP 2128P	1/16	XTB Z908	3/13
TSX DEZ 32D2	2/13	TSX MRP 232P	1/16	XTB Z968	3/13
TSX DMZ 16 DTK	2/13	TSX MRP 264P	1/16	XTB Z9681	3/13
TSX DMZ 28AR	2/13	TSX P ACC 01	4/15,	XZ CB10201	4/27
TSX DMZ 28DR	2/13		4/36, 4/63 and 4/65	XZ CB10501	4/27
TSX DMZ 28DT	2/13	TSX P CAP	1/16	XZ CB11001	4/27
TSX DMZ 28DTK	2/13	TSX PCU 1031	4/15	XZ SDE1113	4/27
TSX DMZ 64DTK	2/13	TSX PCX 1031	5/19,	XZ SDE1133	4/27
TSX DPZ 10D2A	2/22		4/63, 4/65, 4/66 and 4/67	XZ SDP	4/27
TSX DSZ 04T22	2/13	TSX PCX 1130	4/67		