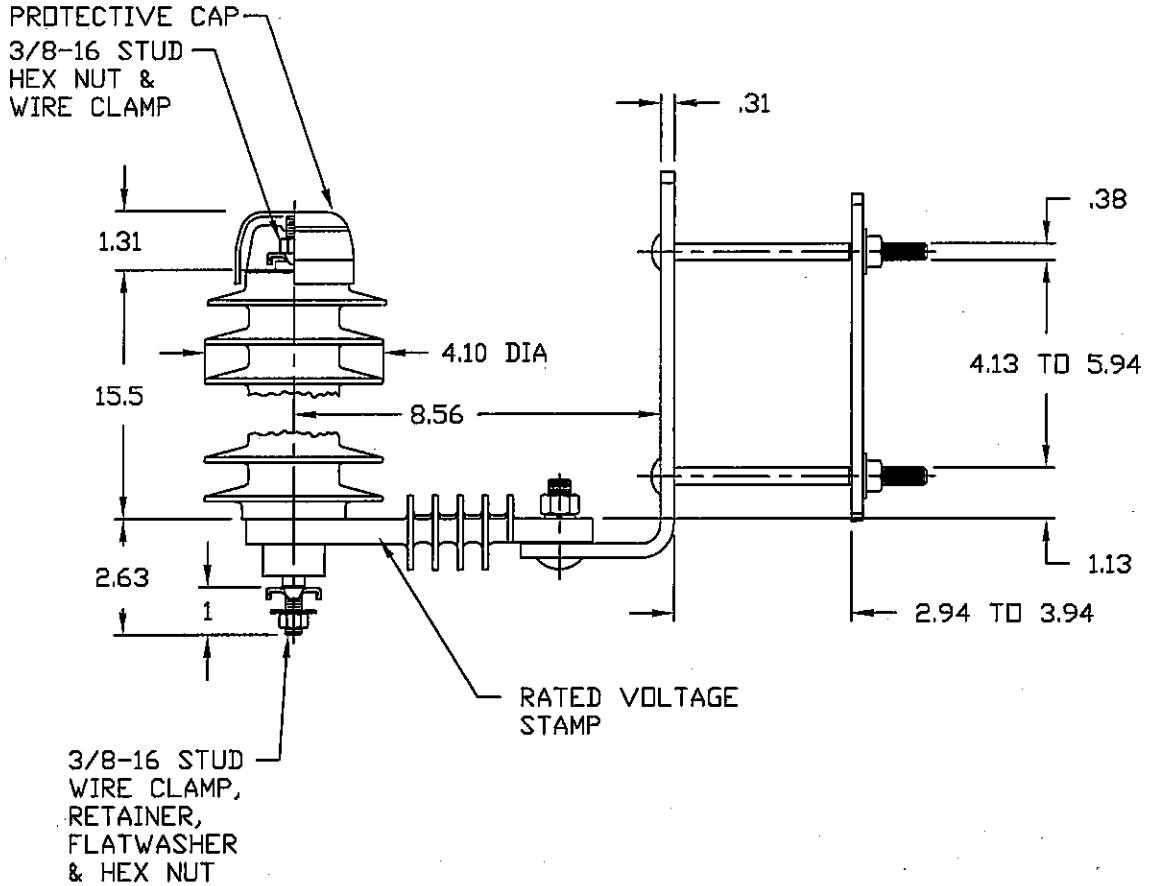


NOTES:

1. DIMENSIONS SUBJECT TO +/- 3% TOLERANCE
2. LEAKAGE DISTANCE (Inches) - 50.4
3. ALTITUDE 0-12000 FT. ABOVE SEA LEVEL
4. WEIGHT OF UNIT INCLUDING HARDWARE - 12.9 LB.
5. MAXIMUM CONTINUOUS LINE-TO-GROUND OPERATING VOLTAGE 29.0 kV MCOV
6. DUTY CYCLE VOLTAGE RATING 36 kV RMS.



.5 μ SEC 10kA IR kV	500 A SWITCHING SURGE IR kV	MAXIMUM 8/20 DISCHARGE VOLTAGE - kV AT					
		1.5 kA	3.0 kA	5 kA	10 kA	20 kA	40 kA
121.4	87	90.9	97	102.7	112.9	127	151.1

DISTRIBUTION CLASS SURGE ARRESTER	OHIO BRASS TOLERANCE CHART	HUBBELL® POWER SYSTEMS					
	CONFIDENTIAL: THIS DRAWING AND ITS CONTENTS ARE CONFIDENTIAL AND THE EXCLUSIVE PROPERTY OF HUBBELL POWER SYSTEMS. NO PUBLICATION, DISTRIBUTION OR COPIES MAY BE MADE WITHOUT THE WRITTEN CONSENT OF HUBBELL POWER SYSTEMS. HUBBELL POWER SYSTEMS UNPUBLISHED. ALL RIGHTS RESERVED UNDER THE COPYRIGHT LAWS.	TITLE PDV-100 OPTIMA 29.0 KV MCOV					
REV DATE 10/24/07	SIZE S	DWG. NO. ALES7XXX	CAT / PART / ASSY NO. 213729-7324			REV 7	
DO NOT SCALE THIS DRAWING		DRN BY ENG121	DATE 06/17/00	SHEET 1 OF 1			