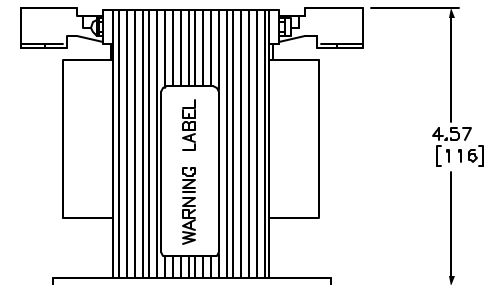
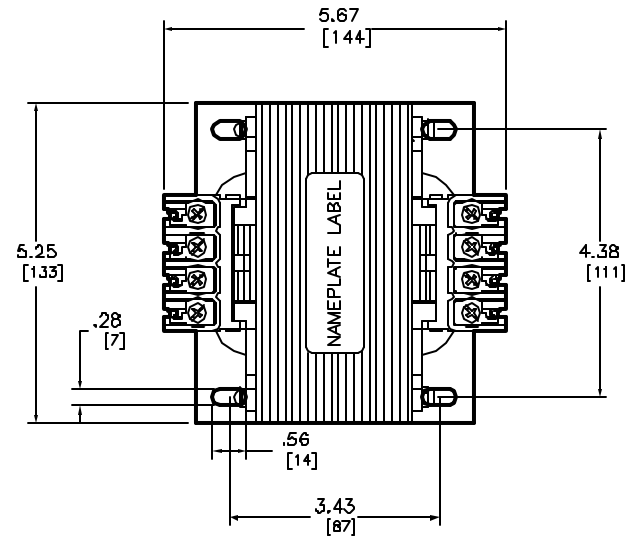


CATALOG NUMBER	PRIMARY VOLTAGE	SECONDARY VOLTAGE	50/60 Hz 1 PHASE		APPROXIMATE WEIGHT (Lbs / Kg)
			UL/cUL/CSA/NOM RATINGS (VA)	CE RATINGS (VA)	
9070T750D1	220/440 230/460 240/480	110 115 120	750	500	16.9 / 7.6
9070T750D3	208	120	750	500	17.0 / 7.7
9070T750D4	277	120	750	500	16.8 / 7.6
9070T750D5	550 575 600	110 115 120	750	500	16.8 / 7.6
9070T750D12	440 460 480	220 230 240	750	500	16.9 / 7.6
9070T750D14	208	24	750	500	17.1 / 7.7
9070T750D15	240/480	24/120	750	500	16.9 / 7.6
9070T750D22	480	277	750	500	17.1 / 7.7
9070T750D24	110 115 120	110 115 120	750	500	16.9 / 7.6
9070T750D31	220/440 230/460 240/480	110/220 115/230 120/240	750	500	16.9 / 7.6
9070T750D33	380/400/415	115/230	750	500	17.0 / 7.7
9070T750D37	550 575 600	110/220 115/230 120/240	750	500	17.0 / 7.7
9070T750D86	110/220 115/230 120/240	110/220 115/230 120/240	750	500	16.9 / 7.6
9070T750D80	277	120/240	750	500	17.1 / 7.7
9070T750D82	600	240	750	500	17.0 / 7.7



FILES/STANDARDS:

UL/cUL FILE: E61236
 CSA FILE: LR37056
 CE: TUV CERTIFIED TO 61558
 NEM 117

750VA-CONTROL POWER TRANSFORMER
 9070 TYPE T
 CATALOG NUMBERS: FROM CHART



DWG# 5902
 ND.