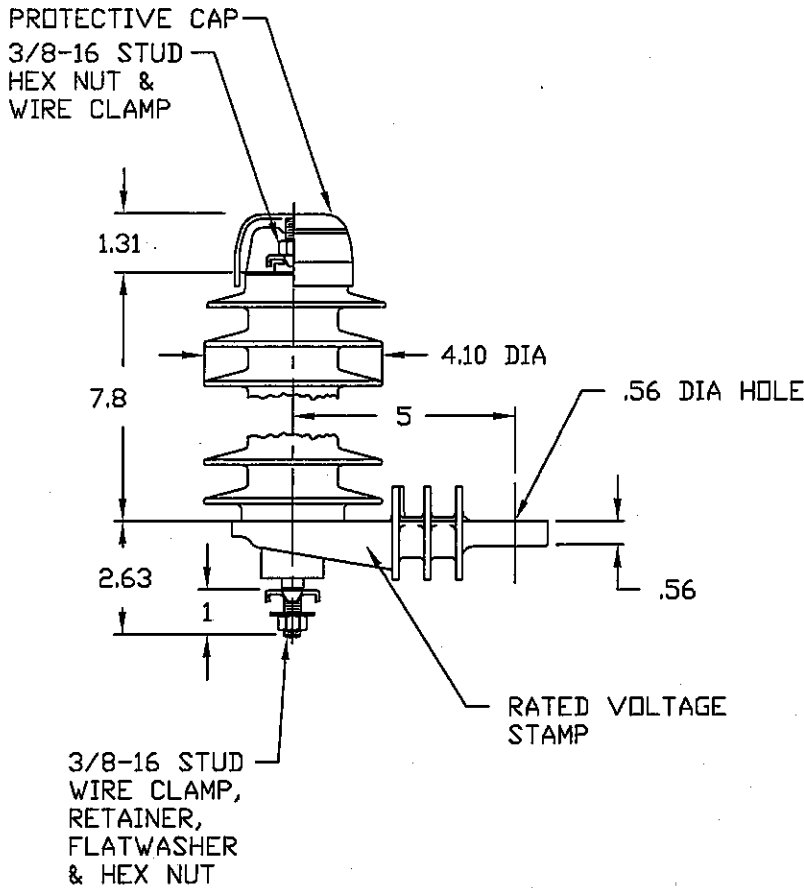


NOTES:

1. DIMENSIONS SUBJECT TO +/- 3% TOLERANCE
2. LEAKAGE DISTANCE (Inches) - 25.2
3. ALTITUDE 0-12000 FT. ABOVE SEA LEVEL
4. WEIGHT OF UNIT INCLUDING HARDWARE - 5.6 LB.
5. MAXIMUM CONTINUOUS LINE-TO-GROUND OPERATING VOLTAGE 15.3 kV MCOV
6. DUTY CYCLE VOLTAGE RATING 18 kV RMS.



| | | | | | | | |
|------------------------|--------------------------------|--|--------|------|-------|-------|-------|
| .5 μ SEC 10kA IR kV | 500 A SWITCHING SURGE IR kV | MAXIMUM 8/20 DISCHARGE VOLTAGE - kV AT | | | | | |
| | | 1.5 kA | 3.0 kA | 5 kA | 10 kA | 20 kA | 40 kA |
| 60.6 | 43.5 | 45.4 | 48.4 | 51.3 | 56.4 | 63.5 | 75.5 |

DISTRIBUTION
CLASS
SURGE
ARRESTER

OHIO BRASS
TOLERANCE CHART



HUBBELL POWER SYSTEMS

CONFIDENTIAL: THIS DRAWING AND ITS CONTENTS ARE CONFIDENTIAL AND THE EXCLUSIVE PROPERTY OF HUBBELL POWER SYSTEMS. NO PUBLICATION, DISTRIBUTION OR COPIES MAY BE MADE WITHOUT THE WRITTEN CONSENT OF HUBBELL POWER SYSTEMS. HUBBELL POWER SYSTEMS UNPUBLISHED ALL RIGHTS RESERVED UNDER THE COPYRIGHT LAWS.

| | | | |
|---|---------------------|--------------------------------------|--------------|
| TITLE PDV-100 OPTIMA 15.3 KV MCOV | | | |
| SIZE S | DWG NO. ALES7XXX | CAT / PART / ASSY NO. 213715-7314 | REV 7 |
| DO NOT SCALE THIS DRAWING | DRN BY ENG1188 | DATE 06/17/00 | SHEET 1 OF 1 |

REV DATE
10/24/07