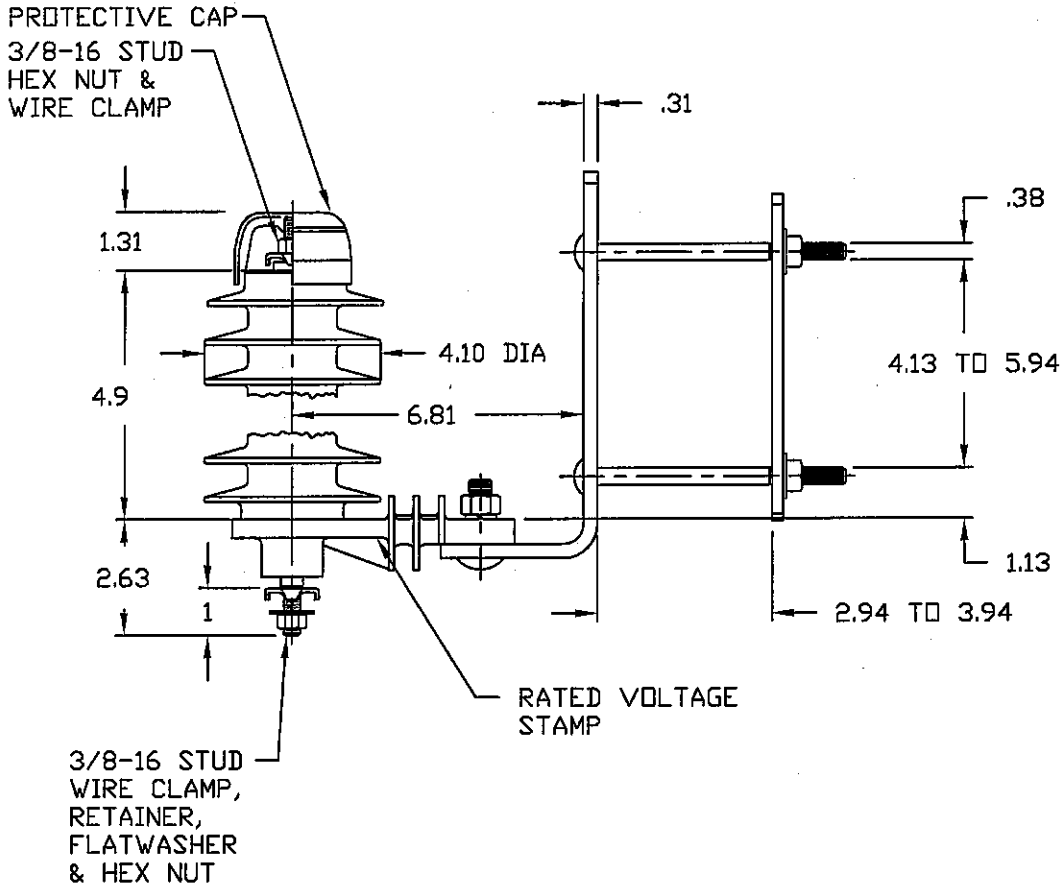


NOTES:

1. DIMENSIONS SUBJECT TO +/- 3% TOLERANCE
2. LEAKAGE DISTANCE (Inches) - 14.4
3. ALTITUDE 0-12000 FT. ABOVE SEA LEVEL
4. WEIGHT OF UNIT INCLUDING HARDWARE - 6.4 LB.
5. MAXIMUM CONTINUOUS LINE-TO-GROUND OPERATING VOLTAGE 7.65 kV MCOV
6. DUTY CYCLE VOLTAGE RATING 9 kV RMS.



.5 μ SEC 10kA IR kV	500 A SWITCHING SURGE IR kV	MAXIMUM 8/20 DISCHARGE VOLTAGE - kV AT					
		1.5 kA	3.0 kA	5 kA	10 kA	20 kA	40 kA
31.2	22.4	23.3	24.9	26.4	29	32.6	38.8

DISTRIBUTION CLASS SURGE ARRESTER	OHIO BRASS TOLERANCE CHART	HUBBELL POWER SYSTEMS					
	CONFIDENTIAL: THIS DRAWING AND ITS CONTENTS ARE CONFIDENTIAL AND THE EXCLUSIVE PROPERTY OF HUBBELL POWER SYSTEMS. NO PUBLICATION, DISTRIBUTION OR COPIES MAY BE MADE WITHOUT THE WRITTEN CONSENT OF HUBBELL POWER SYSTEMS. HUBBELL POWER SYSTEMS UNPUBLISHED. ALL RIGHTS RESERVED UNDER THE COPYRIGHT LAWS.	TITLE PDV-100 OPTIMA 7.65 KV MCOV					
REV DATE 10/24/07	SIZE S	DWG NO. ALES7XXX	CAT / PART / ASSY NO. 213708-7324			REV 7	
DO NOT SCALE THIS DRAWING		DRN BY ENG1168	DATE 06/17/00	SHEET 1 OF 1			