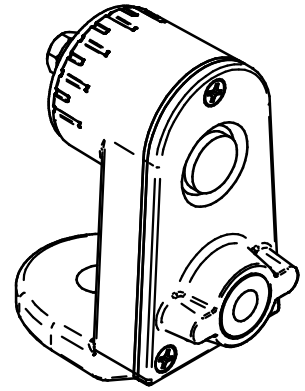


SAVE THESE INSTRUCTIONS



HUBBELL
Outdoor Lighting

INSTALLATION INSTRUCTIONS TRUNNION ACCESSORY



READ THOROUGHLY BEFORE INSTALATION

WARNING! Fixtures must be grounded and installed in accordance with the National Electrical Code and all local codes. Failure to do so may increase the **RISK OF PERSONAL INJURY, PROPERTY DAMAGE, FIRE AND DEATH**. Install and use so fixture failures do not cause a hazard and use only in environments for which the product is specifically marked.

WARNING! This product contains chemicals known to the State of California to cause cancer, birth defects, and/or other reproductive harm. Thoroughly wash hands after installing, handling, cleaning, or otherwise touching this product.

CAUTION! Follow ALL luminaire recommendations, product markings, instructions, restrictions and warnings regarding luminaire operation and burning position. Luminaire label shows electrical and environmental requirements and restrictions.

All electrical work must be done by a qualified electrician.

Turn off electric power to all affected circuits and allow to cool before servicing.

Carefully read these instructions before installing product. If you do not understand these instructions, before starting any work, contact your Hubbell Lighting distributor or techsupport@hubbell-ltg.com or (864) 678-1000

Give instructions to facility owner/manager for future reference.

WARNINGS:

Dangerous voltage exist within the unit and all precautions usually observed in handling high voltage equipment should be observed when replacing light engine or otherwise servicing luminaires. Disregarding this warning could result in electrical shock and possible injury to the individual installing or servicing this equipment. Installation and servicing should be done by qualified personnel.

Tools Required:

- #2 Phillips Head Screwdriver
- 7/16in. Nut Driver, Wrench, or Socket

93062470 Rev.A

SAVE THESE INSTRUCTIONS

Electrical Connections

- RISK OF SHOCK
- POWER MUST BE OFF

Trunnion Installation

1. If mounting hardware is present, remove from luminaire fixture.
2. Remove the trunnion cover from the housing by loosening the three screws on the cover.
3. Route black, white, and green wire leads from luminaire through the open trunnion housing. (See Fig. 1)
4. Loosely attach trunnion housing to luminaire with provided fastener. **(Be careful not to pinch any wires during attachment.)**
5. Set the luminaire to the desired mounting angle by rotating the trunnion housing.
6. Tighten the provided fastener to lock the luminaire at the desired angle.
7. Splice the branch circuit power leads to the fixture power leads, black to black (hot), white to white (neutral), and green to green (ground). SO Cord size 16/3. (Fig. 1)
8. Replace the trunnion cover to the trunnion housing and tighten screws. (Fig. 2) **(Be careful not to pinch any wires.)**

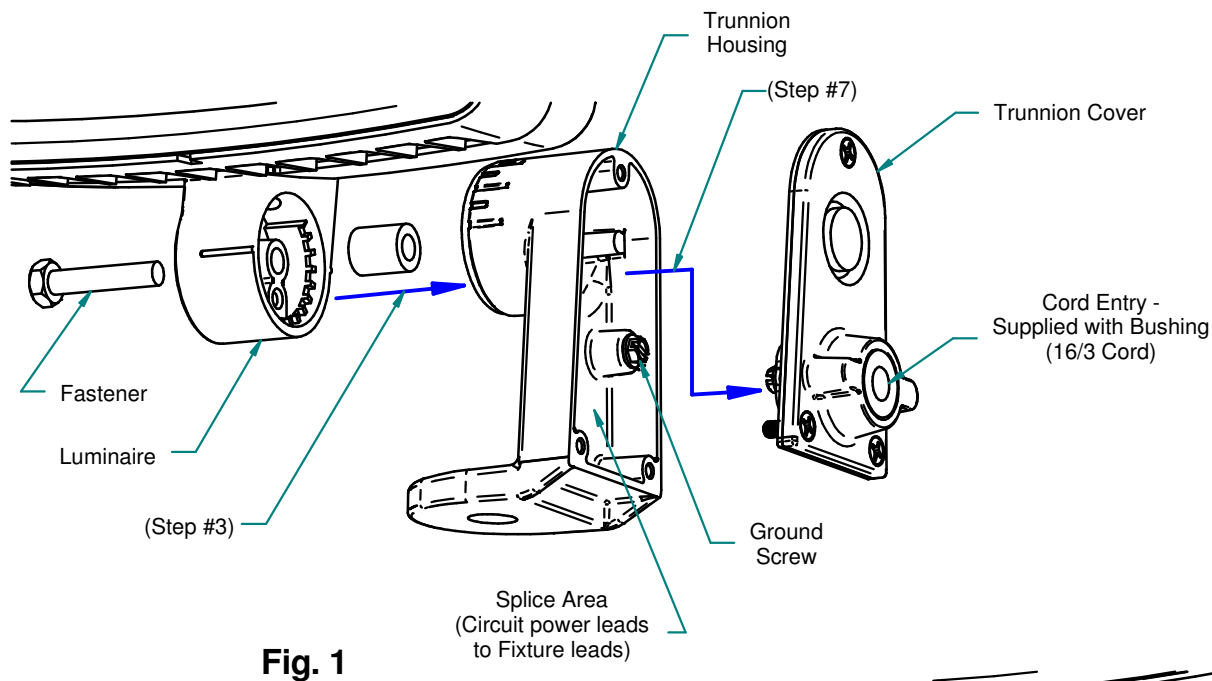


Fig. 1

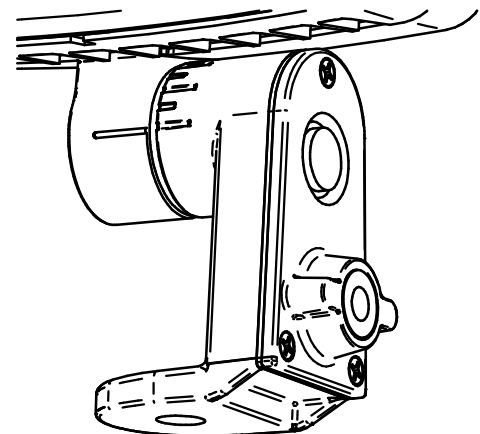


Fig. 2

NOTES:

Contact Hubbell Lighting for any replacement parts.
Contact your local distributor or agent to confirm parts availability prior to ordering replacement parts.