

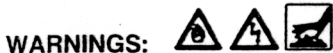
Installation Instructions

QUARTZLITER

Quartz Floodlights

QL-500, and QL-1500 Series

AFTER INSTALLATION, DELIVER THESE INSTRUCTIONS TO THE OWNER.



- * NOT FOR USE IN DWELLINGS.
- * Install, operate, and maintain to meet all applicable codes.
- * Disconnect electrical power before lamping or servicing this fixture.
- * Do NOT install on combustible surfaces.
- * Maintain 2 inch clearance to all surfaces.
- * Allow fixture to cool before servicing.
- * Avoid combustible and/or explosive vapors, liquids, solids, and dust.

CAUTION:

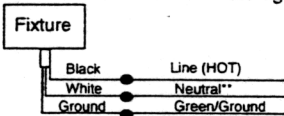
- Protect lamp from fingerprints, scratches, and abrasions.
- If lamp is operating during aiming, hand protection is required to prevent burn.

MOUNTING:

- Mount fixture so the lamp is horizontal.
- Apply sealant to threads of the 1/2" NPS knuckle to maintain watertight connection.

WIRING:

- Make sure lamp voltage and supply line voltage are the same.



** Supply voltages such as 240, both supply wires are "HOT".

Connect one wire to the Black fixture wire and the other supply wire to the White fixture wire.

AIMING:

- QM-500, QL-500, and QL-1520 be aimed upward or downward, without restriction.
- QL-1500 can only be aimed downward. Do NOT aim above 10° from horizontal.
- Tighten knuckle hardware to engage the anti-rotation teeth inside the knuckle completely. Use 7/16" wrench and tighten to 10 ft. lbs. torque to secure assembly in the aiming position.

LAMPING AND RELAMPING.

QM-500 SERIES

Loosen four (4) screws and swing the corner clips counter clockwise. Remove glass.

QL-500 SERIES

Unlatch the two latches and open the door.

Removing old Lamp

On the reflector, locate "INSERT LAMP THIS SIDE FIRST" with an arrow. Grasp the lamp and push it in the direction of the arrow. The socket retracts, lift and remove lamp.

Installing new Lamp

Handle the lamp with clean cloth or gloves. Locate arrow and wording "INSERT LAMP THIS SIDE FIRST" stamped in reflector. Place one end of lamp on that socket contact. Push lamp in the direction of the arrow. The socket retracts. Position free end of lamp into other socket, release slowly. Lamp must seat properly on socket contacts.

QM SERIES: Replace glass. Secure with clips.

QL SERIES: Close and latch door.

QL-1500 SERIES

Unlatch the two latches and open the door.

Removing old Lamp

Both sockets are spring loaded. Grasp lamp and push it against either of the sockets. The socket retracts, Remove lamp by guiding the free end of lamp through the opening between the end reflector and housing.

Installing new Lamp

Handle the lamp with clean cloth or gloves. Position lamp diagonally in housing so ends of lamp fit in recessed area between reflector and housing. Place one lamp end on socket contact. Push against lamp to depress socket spring. Guide the opposite lamp end through recessed area and onto the socket contacts. Lamp must seat properly.

Close and latch door.

LAMP INFORMATION:

Ordering Abbreviation	Bulb	Watts	Volts	Nominal lumens	Life Hours
Q300T3/CL	T3	300	120	6000	2000
Q500T3/CL	T3	500	120	10600	2000
Q1000T3/CL	T3	1000	240	21000	2000
Q1500T3/CL	T3	1500	208	33000	2000
Q1500T3/CL	T3	1500	240	33000	2000
Q1500T3/CL	T3	1500	277	33000	2000

REPLACEMENT PARTS:

Description	QL-1500 Series	QL-500 Series	QM-500 Series
Door Assembly	800-1651-0201	800-1655-0108	N/A
Glass Lens	264-0183-9805	264-0184-9904	264-0238-9909
Lens Gasket	265-0481-0307	265-0481-0301	265-0481-0307
Sockets	705327	800-2166-0108	800-2974-0108

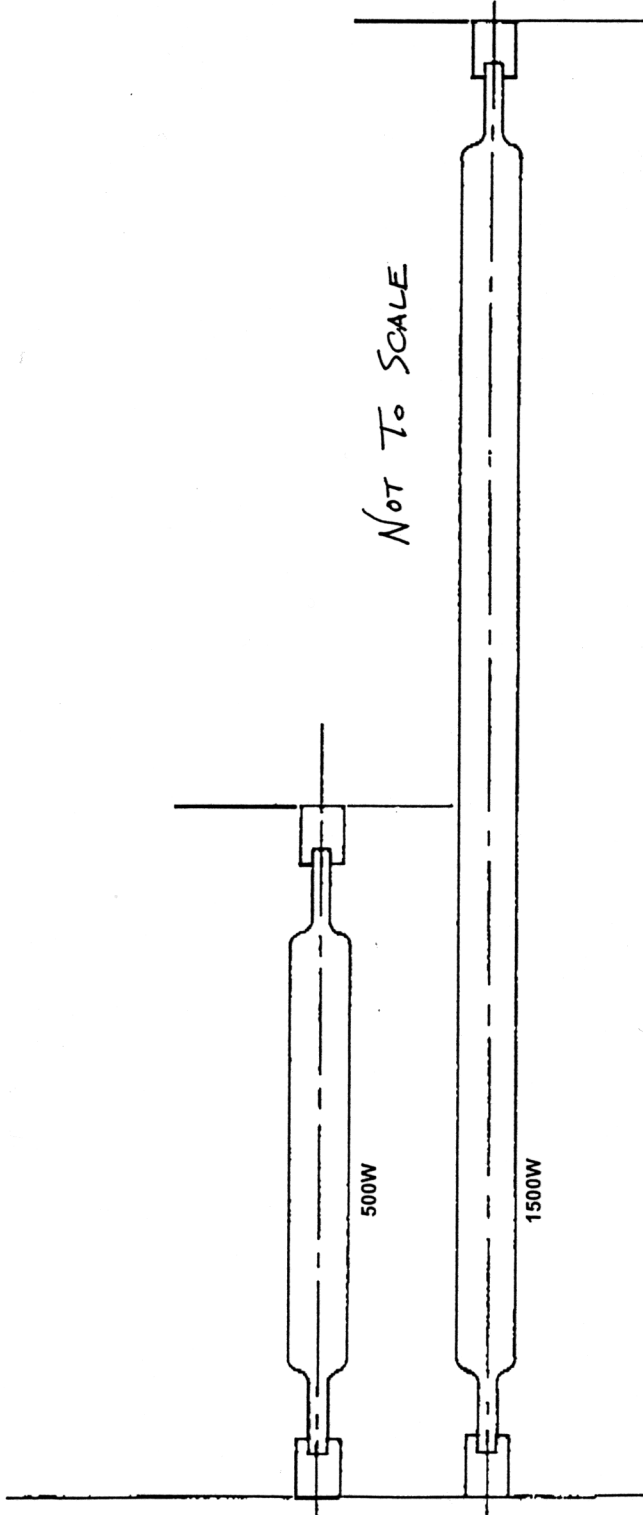
IMPORTANT SERVICE INFORMATION

This fixture has been manufactured with silver plated socket contacts to help provide extended service life.

To secure full benefit of this important quality feature, we suggest the following:

1. Specify and install quality lamps with silver plated contacts. If not sure, have your lamp supplier check with the lamp manufacturer.
2. Use the lamp length gauge printed below to check lamps before installation.

Under length lamps should be returned to your supplier for replacement.



Hubbell Lighting, Inc.
A Subsidiary of Hubbell Incorporated
2000 Electric Way
Christiansburg, VA 24073-2500
(540) 382-6111
FAX (540) 382-1526