

**! CAUTION**

The equipment covered by these instructions should be installed and serviced only by competent personnel familiar with good safety practices. This instruction is written for such personnel and is not intended as a substitute for adequate training and experience in safe procedures.

**! WARNING**

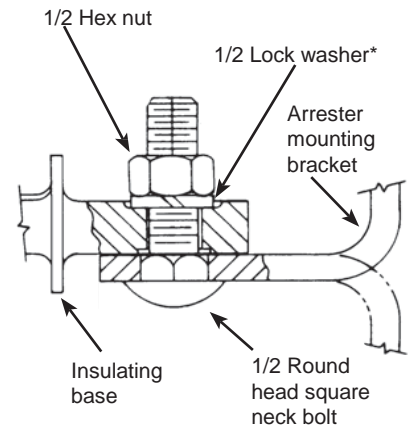
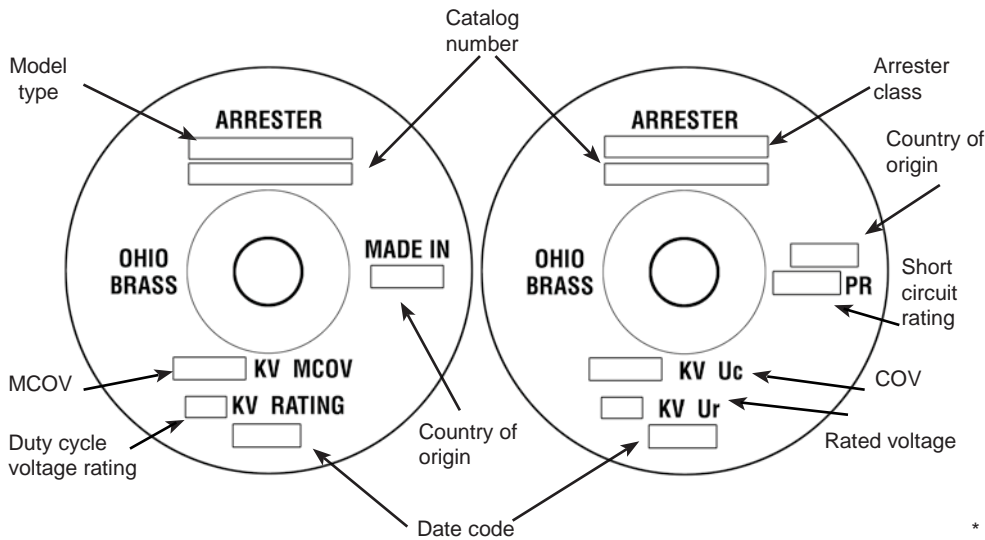
Prior to installing this product, check the nameplate information to verify that it is the correct product for the application. Verify that the nameplate information corresponds to the information provided on the outline drawing.

The drawing below shows the typical information contained on the nameplate (ANSI at left, IEC center). The nameplate information is found on the top metal plate of the arrester.

The recommended tightening torques for PDV/PVR arrester fasteners are as follows:

The detailed view below (at right) shows the recommended arrangement for fasteners attaching the NEMA crossarm bracket and transformer mounting bracket (if used) to the insulating base bracket of the arrester.

3/8 inch	20 ft-lb (27 N-m)
1/2 inch or M12	40 ft-lb (54 N-m)



\* The use of any other washer may result in damage and is not recommended.

**HUBBELL Power Systems • The Ohio Brass Company**  
 1850 Richland Avenue, East Aiken, SC 29801



*These instructions do not purport to cover all details or variations in equipment nor to provide for every possible contingency to be met in connection with installation, operation or maintenance. Should further information be desired or should particular problems arise which are not covered sufficiently for the purchaser's purposes, the matter should be referred to Hubbell Power Systems.*

### 注意

本指南所涵盖的产品安装及维护作业应由熟知安全作业规程的专业人员完成. 本指南仅针对该类专业人员编写, 不得代替此类设备作业时所必须的有关安全作业规范的培训及经验.

### 警告

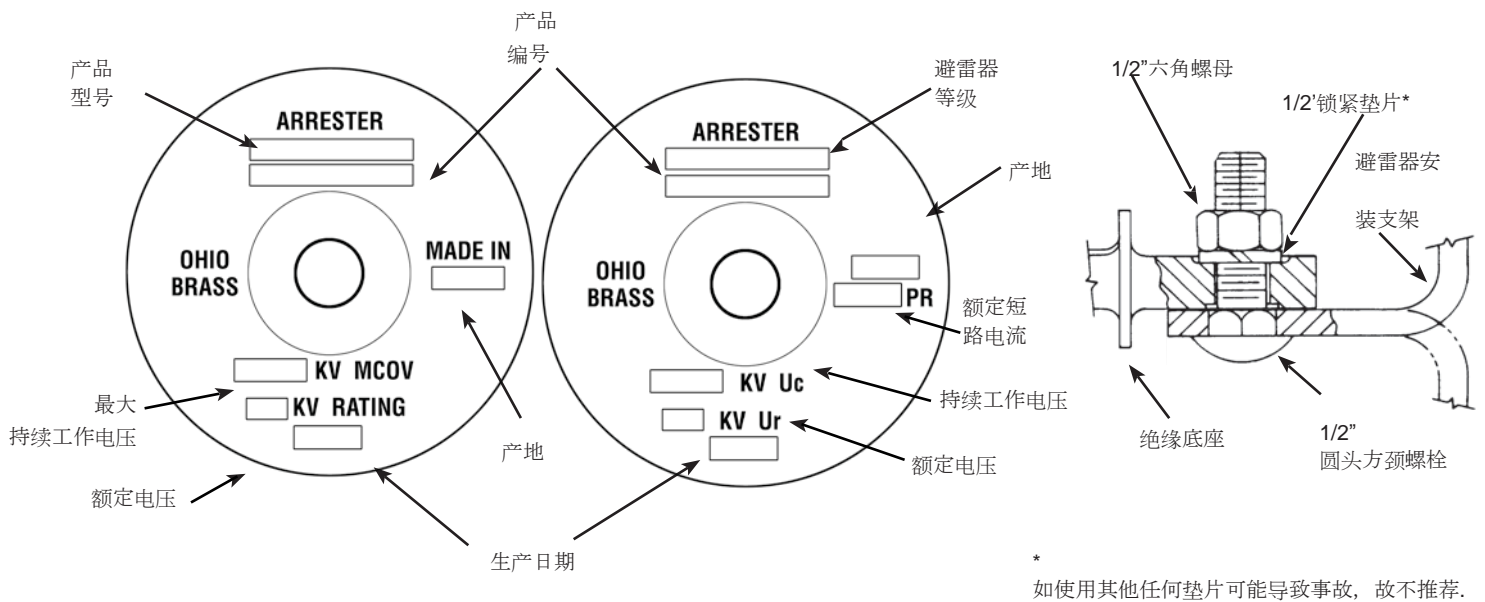
在产品安装前请仔细核对铭牌信息以确认其符合实际要求, 确认铭牌信息与产品外形图标识的信息一致.

下图所示为产品铭牌所包含的标准信息 (左图为 ANSI 标准, 中图为 IEC 标准).  
铭牌信息请查看避雷器顶部金属铭牌.

推荐采用如下所示力矩紧固PDV/PVR型避雷器产品::

3/8"	27 N-m (20 ft-lb)
1/2" 或 M12	54 N-m (40 ft-lb)

推荐使用如下方右图所示方式连接避雷器底部绝缘支架与 NEMA横担及变压器安装支架 (如使用的话).



HUBBELL Power Systems • The Ohio Brass Company  
1850 Richland Avenue, East Aiken, SC 29801



该指南未涵盖设备的所有细节或工程变更, 不包含涉及安装、运行或维护时可能出现的任何突发状况. 本指南仅针对最终用户的使用而编写, 如需了解更多产品信息或遇到本指南中未提及的特定问题, 请咨询合保电气.