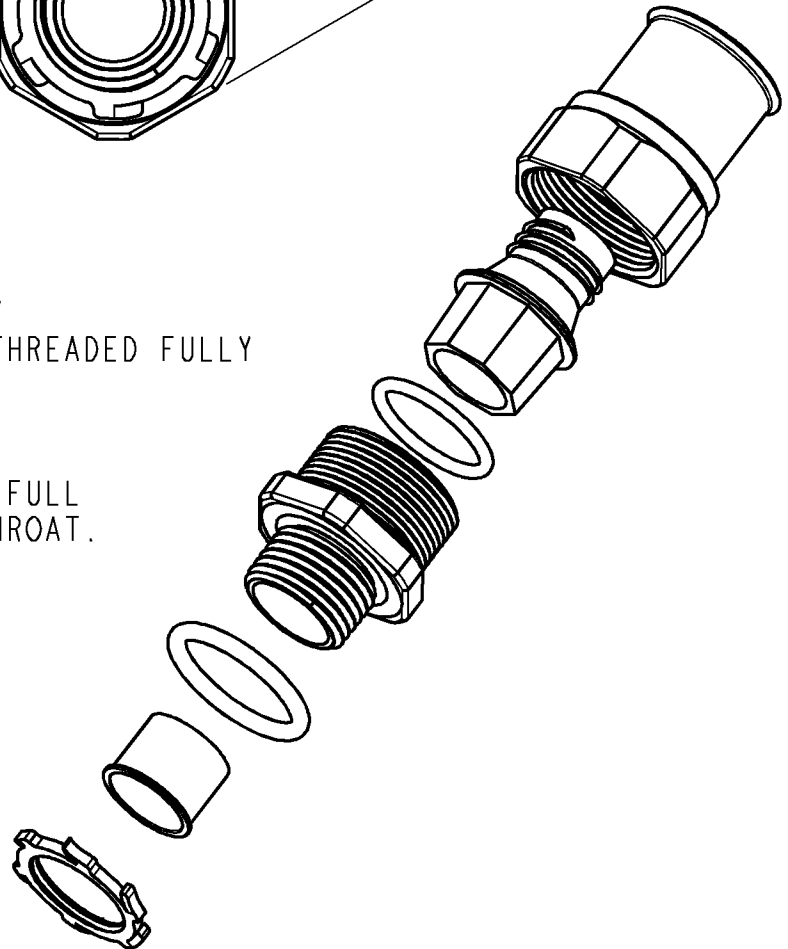
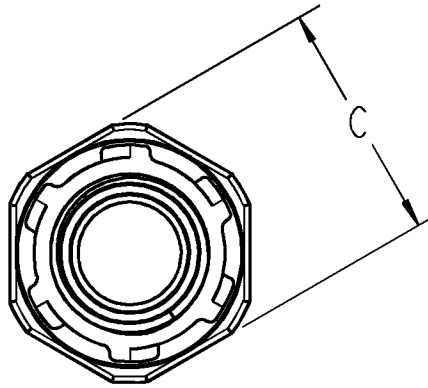
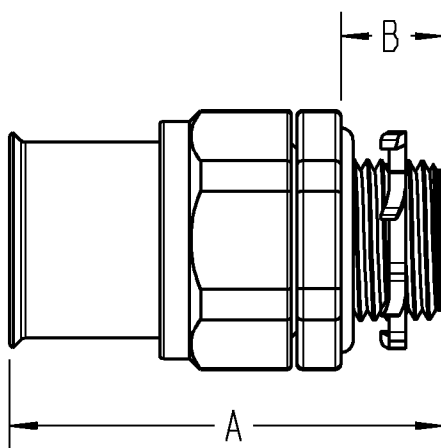




T&B Fittings



NOTES:

1. ALL DIMENSIONS REFERENCE ONLY
2. DIMENSION "A" IS WITH GLAND THREADED FULLY TO SHOULDER.
3. MATERIAL: IRON
4. FINISH: ZINC PLATED
5. ALL CONNECTORS PROVIDED WITH FULL PERIMETER SLEEVE INSULATED THROAT.

3723	1" (27)	2.650 (67.31)	.700 (17.78)	1.755 (44.58)
3722-TB	3/4" (21)	2.335 (59.31)	.700 (17.78)	1.500 (37.50)
3721-TB	1/2" (16)	2.235 (56.64)	.600 (15)	1.250 (31.75)
3720-TB	3/8" (12)	2.230 (56.64)	.600 (15)	1.250 (31.75)
CAT#	SIZE	DIM A	DIM B	DIM C

GENERAL NOTES

1. ALL DIMENSIONS ARE FOR REFERENCE ONLY.
2. DIMENSIONS IN BRACKETS [] ARE IN METRIC UNITS.

REVISIONS

- | | |
|---|--|
| - | SEE ERN (****) FOR APPROVAL SIGNATURES & RELEASE DATE.
PROJECT NO: **** |
|---|--|

Thomas & Betts

www.tnb.com

DESCRIPTION:

LIQUID TIGHT CONNECTOR FOR TYPE A CONDUIT

ORIGINAL PROJECT NO / (ERN NO)

RD52305 (2005182)

SHEET NO:

1 OF 1

REV. NO:

-

DRAWING NO:

WSD-000106

THIS DRAWING IS INTENDED FOR DESCRIPTIVE PURPOSES ONLY. AND THE RIGHT IS RESERVED TO DEVIATE FROM ANY OF THE DETAILS SHOWN HEREON.

©2005 Thomas & Betts - Proprietary. All Rights Reserved