

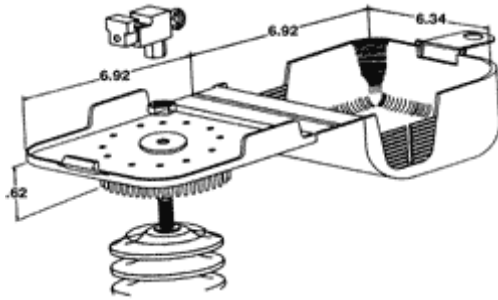


Catalog Home

Product Datasheet

ANDERSON FARGO

GS580 -- Protector, Wildlife



Wildlife Guard, Fits up to 6" (153 mm) Arrestor

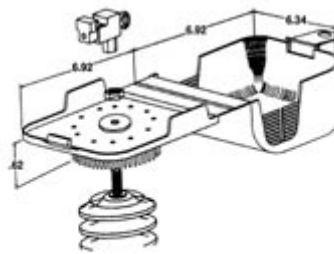
Product Specifications

Product Category



Wildlife Protectors
UV Stabilized Polypropylene
Guards for Wildlife
Protection Applications

Wildlife Protectors Series



GS-580
For Arrestor Connection Protection

PDF Catalog Page

[Click HERE to view the web page.](#)

Body Material

UV Stabilized Polyethylene

Bushing Accommodated

Covers Arrestor to Line Connection

Dimension D

6.34 in (161 mm) x 6.92 in (176 mm)

Dimension H

5.00 in (127 mm)

Nominal Skirt Insulator Diameter

Fits up to 6 in (153 mm) Arrestor

Material Type

Non-Standard

UPC Code

09635935598

Standard Package

50

Standard Package Unit

Each

Min Order Qty

50

Weight / Ea.

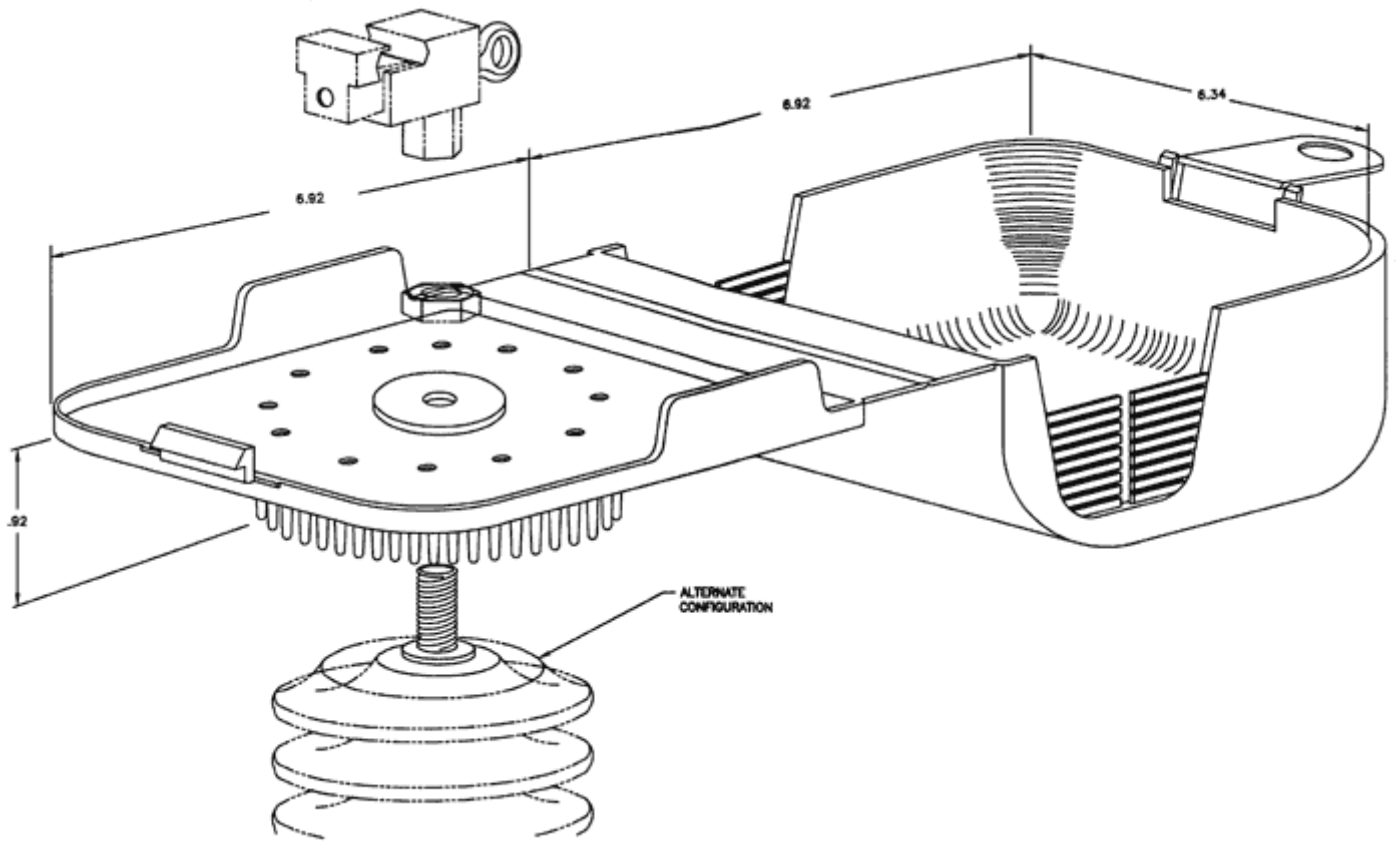
0.392 lbs

Features

One piece design, reinforced hinge, uv stabilized polymer for long life.

Compressed Product Number

GS580



[Catalog Home](#)



[Warranty Info](#) | [Trademarks](#) | [Terms of Use](#)

All contents Copyright © 2007 Hubbell Power Systems, Inc. All rights reserved.

NOTE: Because Hubbell has a policy of continuous product improvement, we reserve the right to change design and specifications without notice.