

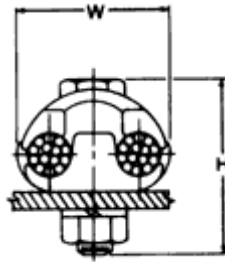
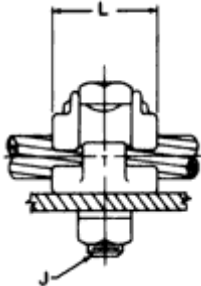


[Catalog Home](#)

Product Datasheet

ANDERSON FARGO

GC143B02 -- Grounding Clamp



Grounding Clamp, Copper Two Cables to 1/4" Flat

Product Specifications

Series



GC-143 Series
Bronze, Two-Piece
Two Cables to Flat
Grounding Clamps

PDF Catalog Page

[Click HERE to view the web page.](#)

Clamping Hardware

Stainless Steel

Material

Bronze

Hardware Material

Stainless Steel

Conductor Size Min. / Max.

Cu 4 sol Thru Cu 250 kcmil (37)

Conductor Type

Copper

Minimum Conductor Diameter

0.204 (in)

Maximum Conductor Diameter

0.575 (in)

UPC Code

09635930704

Standard Package

30

Standard Package Unit

Each

Min Order Qty

1

Weight / Ea.

0.882 lbs

Material Type

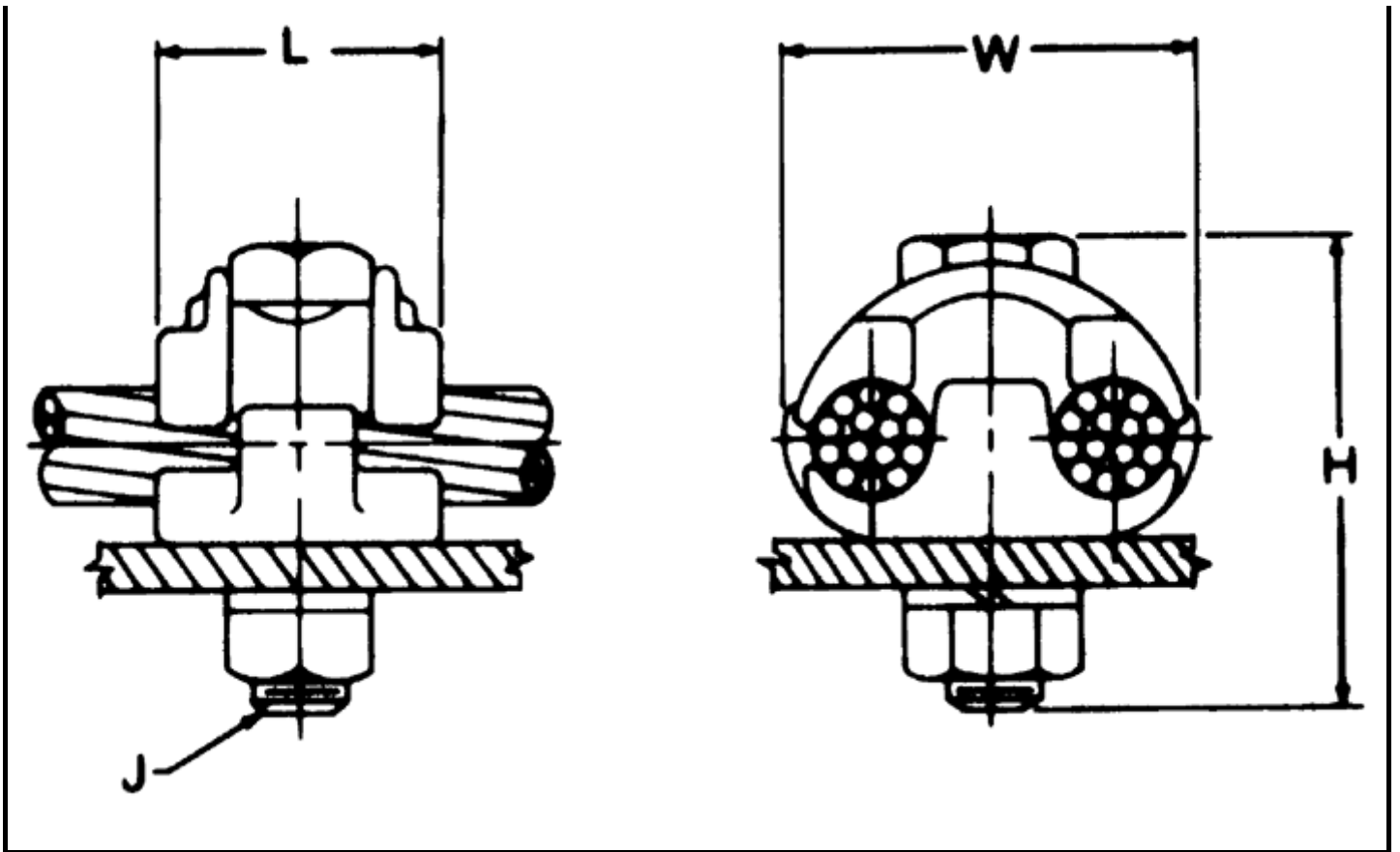
Non-Standard

Notes

Bolt length is suitable for clamping to 1/4" flat bar.

Compressed Product Number

GC143B02



[Catalog Home](#)



[Warranty Info](#) | [Trademarks](#) | [Terms of Use](#)

All contents Copyright © 2007 Hubbell Power Systems, Inc. All rights reserved.

NOTE: Because Hubbell has a policy of continuous product improvement, we reserve the right to change design and specifications without notice.