

140DAI75300

discrete input module Modicon Quantum - 32 I -
230 V AC

Product availability : Stock - Normally stocked in distribution facility

Price* : 1987.20 USD



Main

| | |
|---------------------------|-------------------------------------|
| Range of product | Modicon Quantum automation platform |
| Product or component type | VAC discrete input modules |
| Software name | Concept Unity Pro ProWORX 32 |
| Discrete input number | 32 |

Complementary

| | |
|---------------------------------|--|
| Group of channels | 4 |
| Addressing requirement | 2 input words |
| Discrete input voltage | 230 V AC |
| Input current | <= 11.5 mA 57...63 Hz <= 9.7 mA 47...53 Hz |
| Voltage state 1 guaranteed | 165...264 V AC at 57...63 Hz 175...264 V AC at 47...53 Hz |
| Voltage state 0 guaranteed | 0...40 V AC at 57...63 Hz 0...40 V AC at 47...53 Hz |
| Input impedance | 26500 Ohm capacitive at 57...63 Hz 31800 Ohm capacitive at 47...53 Hz |
| Network frequency limits | 47...63 Hz |
| Leakage current | <= 2.6 mA |
| Absolute maximum input | 264 V continuous 312 V 10 s 400 V 1 cycle |
| Response time | 4.9...0.75 ms x line cycle Off-On 7.3...12.3 ms On-Off |
| Isolation between group | 1780 Vrms for 1 minute |
| Isolation between group and bus | 1780 Vrms for 1 minute |

| | |
|-------------------------|--|
| Bus current requirement | 250 mA |
| Power dissipation in W | <= 5 W |
| Local signalling | 1 LED green bus communication is present (Active) 1 LED red external fault detected (F) 32 LEDs green input status |
| Marking | CE |
| Module format | Standard |
| Product weight | 0.66 lb(US) (0.3 kg) |

Environment

| | |
|---------------------------------------|---|
| Standards | UL 508 CSA C22.2 No 142 |
| Product certifications | CUL FM Class 1 Division 2 |
| Resistance to electrostatic discharge | 4 kV contact conforming to IEC 801-2 8 kV on air conforming to IEC 801-2 |
| Resistance to electromagnetic fields | 9.14 V/yd (10 V/m) 80...2000 MHz conforming to IEC 801-3 |
| Ambient air temperature for operation | 32...140 °F (0...60 °C) |
| Ambient air temperature for storage | -40...185 °F (-40...85 °C) |
| Relative humidity | 95 % without condensation |
| Operating altitude | <= 16404.2 ft (5000 m) |

Ordering and shipping details

| | |
|-----------------------|--------------------------------------|
| Category | 18155 - QUANTUM I/O & POWER SUPPLIES |
| Discount Schedule | PC21 |
| GTIN | 00785901449645 |
| Nbr. of units in pkg. | 1 |
| Package weight(Lbs) | 2.21 |
| Returnability | N |
| Country of origin | FR |

Offer Sustainability

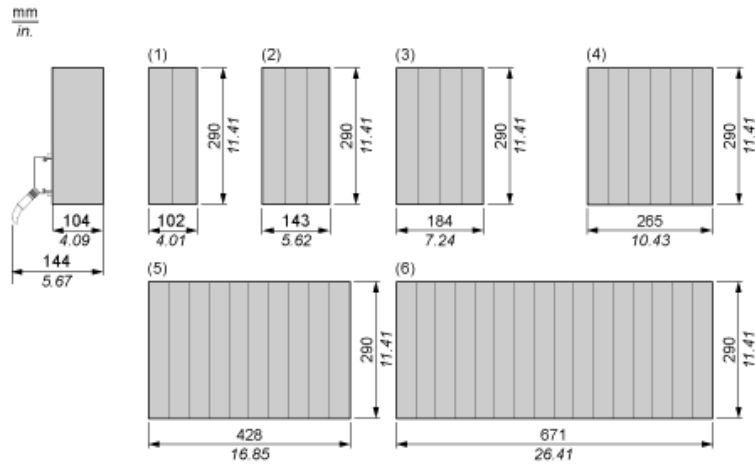
| | |
|----------------------------------|---|
| Sustainable offer status | Green Premium product |
| RoHS (date code: YYWW) | Compliant - since 0922 - Schneider Electric declaration of conformity Schneider Electric declaration of conformity |
| REACH | Reference not containing SVHC above the threshold Reference not containing SVHC above the threshold |
| Product environmental profile | Available |
| Product end of life instructions | Available |

Contractual warranty

| | |
|-----------------|-----------|
| Warranty period | 18 months |
|-----------------|-----------|

Racks for Modules Mounting

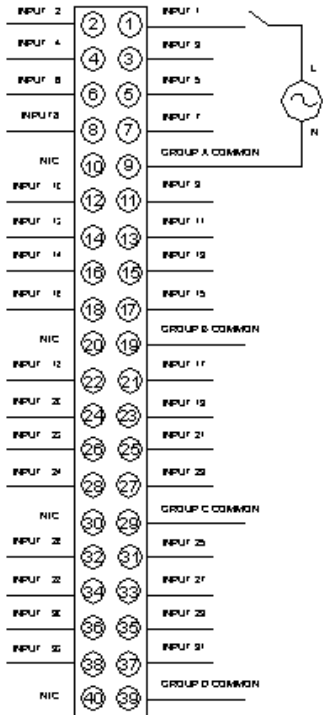
Dimensions of Modules and Racks



- (1) 2 slots
- (2) 3 slots
- (3) 4 slots
- (4) 6 slots
- (5) 10 slots
- (6) 16 slots

230 Vac Discrete Input Module

Wiring Diagram



N/C Not Connected