

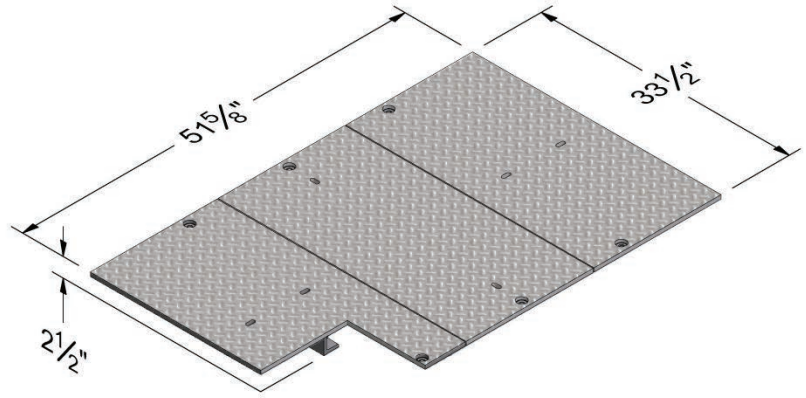
# B3048

CHRISTY®

## COVER

Style:	Flush (3 Piece)
Material:	Steel Checker Plate
Model:	33" x 52" (3 Piece Lid)
Weight:	300 lbs
Options:	Special Markings
Surface:	Skid Resistant & Marked*
Coefficient of Friction:	>0.6 ASTM 1028
Performance:	H20, AASHTO

Cover comes standard with permanent markings for manufacturer, load rating, model size and manufacturing location.

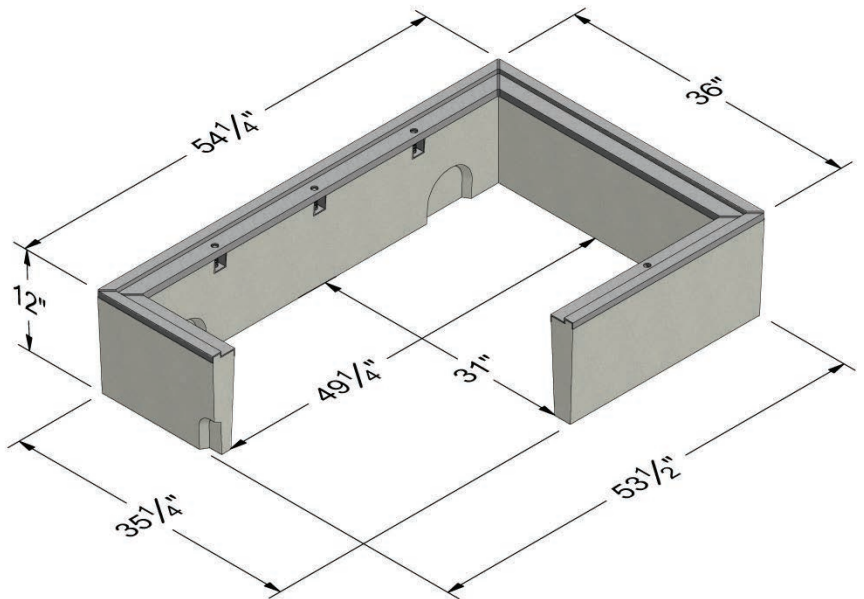


## BODY

Material:	Reinforced Concrete with Steel Frame
Model:	36" x 55"
Weight:	434 lbs
Wall Type:	Straight
Mouseholes:	0
Performance:	H20, AASHTO

## COVER OPTIONS

- Bolt Down Locking
- Galvanizing
- EMS Marker



## LOAD RATING / NOTES



Actual load rating is determined by the box and cover combination.

**WARNING:** Cancer and Reproductive Harm - [www.P65Warnings.ca.gov](http://www.P65Warnings.ca.gov)

All information contained on this sheet is current at the time of publication. Oldcastle reserves the right to discontinue or update product information without notice.

Revision 05/05/21  
© 2021 Oldcastle Infrastructure