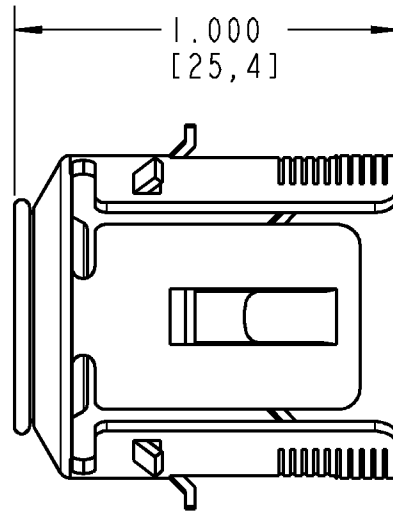
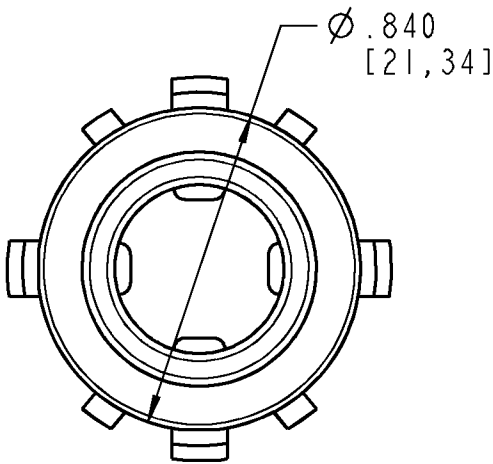
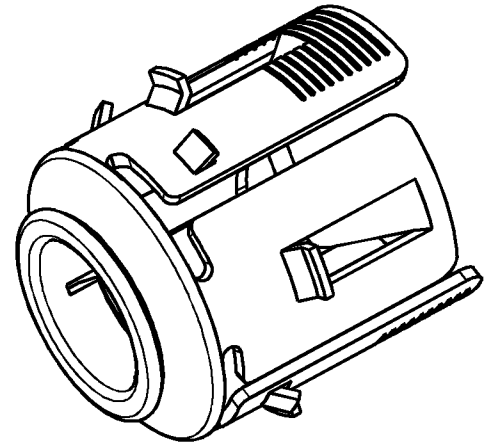




# Steel City

**NOTES:**

1. MATERIAL: SPRING STEEL BODY  
NYLON INSULATOR
2. FINISH: ELECTRO-ZINC PLATED
3. ALL DIMENSIONAL INFORMATION FOR REFERENCE ONLY.
4. APPROVED FOR STEEL AND ALUMINUM MC CABLE:  
14-2, 14-3, 14-4, 12-2, 12-3, 12-4,  
10-2, 10-3 w/CABLE DIA .438"-.561"
5. TEMP RATING (INSULATOR) 105°C



XC-130	1/2" (16)	SNAP-IN CONNECTOR
CAT #	SIZE	DESCRIPTION

<b>GENERAL NOTES</b>		<b>Thomas &amp; Betts</b> www.tnb.com				
1. ALL DIMENSIONS ARE FOR REFERENCE ONLY. 2. DIMENSIONS IN BRACKETS [ ] ARE IN METRIC UNITS.						DESCRIPTION:
<b>REVISIONS</b>		ORIGINAL PROJECT NO / ( ERN NO )		SHEET NO:	REV. NO:	DRAWING NO:
- SEE ERN ( **** ) FOR APPROVAL SIGNATURES & RELEASE DATE. PROJECT NO: ****		RD55438 / (2005168)		1 OF 1	-	<b>WSD-000104</b>