



Product Datasheet


ANDERSON FARGO

HAS85C -- Suspension Clamp



Suspension Clamp, Aluminum, for use with conductors 0.4 - 0.85 with fitting: Clevis

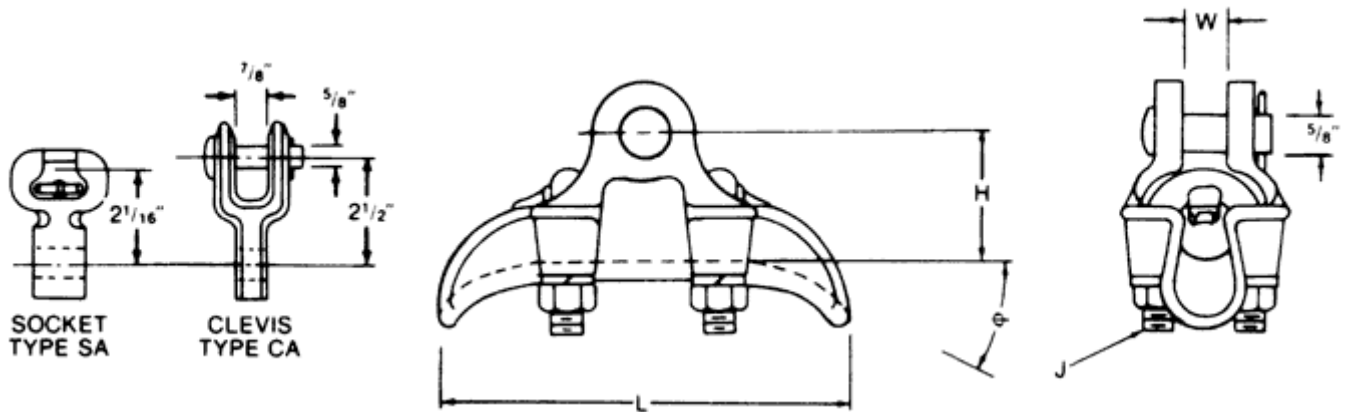
Product Specifications

Series	 <p>HAS series Standard Voltage Aluminum</p>
PDF Catalog Page	Click HERE to view the web page.
Fitting	Clevis
Clamp Material	Aluminum
Fitting Catalog No.	CA-06
Ultimate Body Strength	18,000 lbs (8,165 kgs)
Maximum Take-off Angle 0	30
Dimension H	2.56 in (65.1 mm)
Dimension J	0.500 in (12.7 mm)
Dimension L	7.50 in (190.5 mm)
Dimension W	0.938 in (23.8 mm)
Hardware Material	Galvanized Steel
Minimum - Maximum Conductor Size	AAC 2/0 str (7) Thru AAC 3/0 str (19) w/Armor Rods AAAC 2/0 str(7) Thru AAAC 3/0 str(7) w/Armor Rods ACSR 2/0 (6/1) Thru ACSR 3/0 (6/1) w/Armor Rods ACAR 503.6 kcmil (15/4) Thru ACAR 503.6 kcmil (15/4)^
Clamping Range	0.40 - 0.85 in (10.16 - 21.59 mm)
Voltage Application	Standard
Material Type	Non-Standard

UPC Code	09635931516
Standard Package	10
Standard Package Unit	Each
Min Order Qty	1
Weight / Ea.	3.724 lbs

Compressed Product Number

HAS85C



[Catalog Home](#)



[Warranty Info](#) | [Trademarks](#) | [Terms of Use](#)

All contents Copyright © 2007 Hubbell Power Systems, Inc. All rights reserved.

NOTE: Because Hubbell has a policy of continuous product improvement, we reserve the right to change design and specifications without notice.