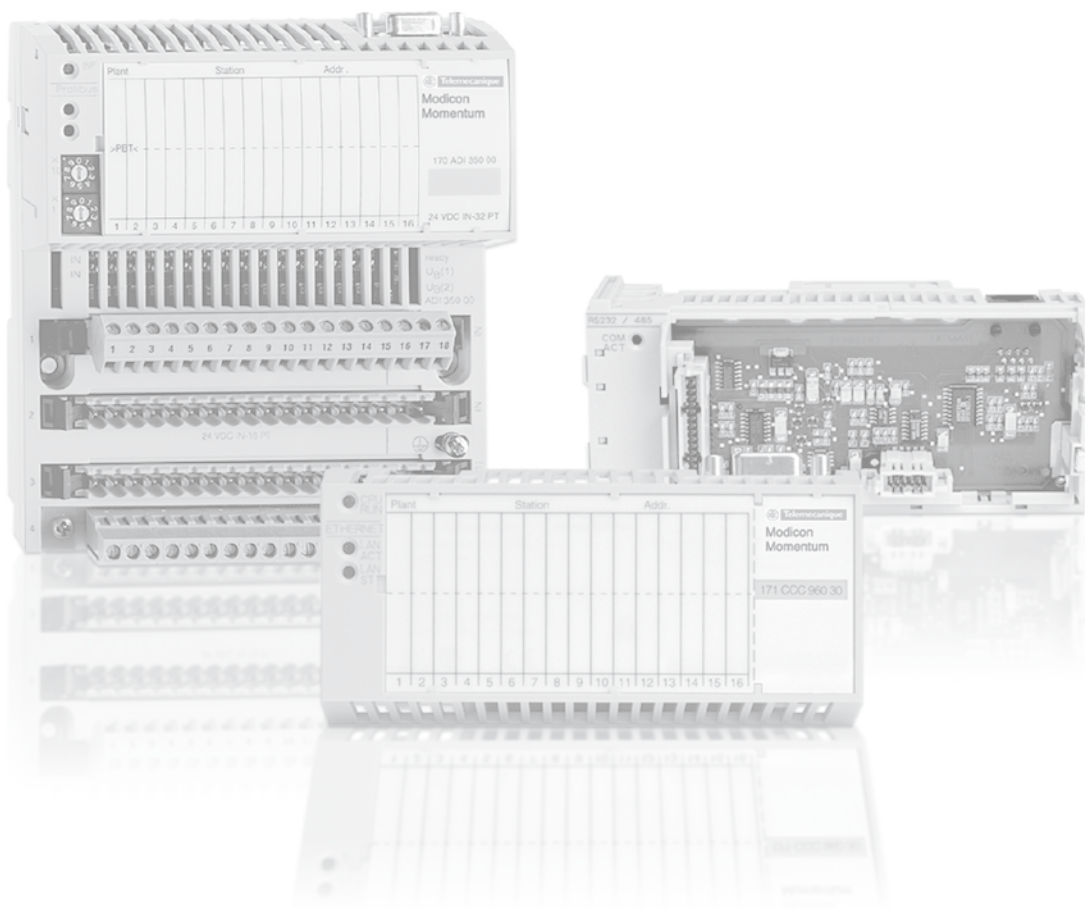


Modicon™ Momentum™ automation platform

Catalog
2011





A full range of catalogs for.....



Detection



Global Detection Electronic and electromechanical sensors

MKTED208052EN

Photo-electric sensors
Proximity sensors
Capacitive proximity sensors
Ultrasonic sensors
Limit switches
Pressure switches
Rotary encoders
Radio frequency identification
Machine cabling accessories

Automation



Modicon™ Quantum™ automation platform Catalog 2009

MKTED208011EN-US

Safety PLCs
Safety CPUs
Unity™ Concept™ and
ProWORX™ software



Modicon™ Premium™ automation platform Catalog 2010

MKTED208054EN-US

Unity processors
PL7 processors
Communication software



Modicon™ M340™ automation platform Catalog 2010

DIA6ED2081007EN-US

PLCs
Discrete, analog I/O and
application-specific solutions
Communication

Automation



Modicon™ Momentum™ automation platform Catalog 2010

MKTED205061EN-US



Twido™ programmable controller and TwidoSuite™ software

DIA3ED2090202EN

Controller base
Discrete, analog I/O
Communication



Automation functions, relays, interfaces and power supplies

MKTED207031EN

Smart relays
Timing relays
Measurement & control relays
Analog interfaces
Counters
Plug-in relays
Interfaces for discrete signals
Power supplies & transformers

Software

PLCs and safety controllers
programming software

Operator dialog



Control and signalling components

MKTED208031EN

Control and signalling units
Control stations & enclosures
Cam switches
Beacons and indicator banks
Pendant control stations
Controllers
Emergency stops
Foot switches



Magelis™ Human/Machine Interfaces Catalog 2010

MKTED206071EN-US

Operator interface terminals
Industrial PCs
HMI and SCADA PC-based
software

Software

Vijeo Designer
Operator terminal software

Motion and Drives



Lexium™ 32 Servo Drives motion control Catalog 2009/2010

DIA7ED2090405EN-US

Motion controllers
Servo drives and Servo motors
Stepper motors and drives
Integrated drives
Modicon Premium
motion control modules



Soft starters and variable speed drives

MKTED206111EN

Soft starters and variable speed
drives

Software

Software for drives
Motor control programming
software

.....Automation & Control functions



Motor control	Machine safety	Interfaces and I/O	Power supplies	Systems & architectures
<p> Motor starter solutions Control and protection components</p> <p>MKTED205103EN</p> <p>Contactors Circuit-breakers, fuse carriers Thermal relays Combinations, motor controllers Mounting solutions Motor starter mounting kits</p>	<p><i>This catalog contains Automation and Control function products relating to machines Safety</i></p> <p> Preventa™ Machine Safety Products Catalog 2009</p> <p>MKTED208051EN-US</p> <p>Safety PLCs Safety controllers Safety monitors Safety solutions on AS-Interface cabling system Safety switches Safety light curtains Safety mats Emergency stops Control stations Enabling switches Foot switches Beacons & indicator banks Switch disconnectors Thermal-magnetic motor circuit breakers Enclosed D.O.L. starters</p> <p>Software XPSMFWIN configuration software XPSMCWIN configuration software</p>	<p> Terminal blocks</p> <p>MKTED207011EN</p> <p>Terminal blocks Cable ends</p> <p> Modicon™ STB IP 20 distributed inputs/outputs Catalog 2010</p> <p>MKTED208053EN-US</p> <p>Modules for automation station Network interfaces Power distribution Digital I/O, analogs and application-specific</p> <p>Software STB configuration software</p>	<p> Phaseo™ power supplies and transformers</p> <p>DIA3ED2061209EN</p> <p>Switch mode power supplies Filtered rectified power supplies Transformers</p>	<p><i>This catalog contains Automation and Control function products relating to Communication</i></p> <p> Machine & Installations with industrial communication</p> <p>MKTED207012EN</p> <p>Preferred implementations Ethernet TCP/IP, the universal communication standard CANopen for machines and installations AS-Interface, simple and ASI-Safe</p> <p>Products Human-Machine interface Controllers and PLCs Field devices Infrastructure and wiring Gateways</p> <p>Software and tools Collaborative Automation Partner Program & Partners</p>

■ Introduction 6

Discrete I/O bases

Selection guide 8

■ Introduction, description 12
 ■ Specifications 13
 ■ References 19
 ■ Dimensions, mounting 20
 ■ Wiring diagrams 20

Analog I/O bases

Selection guide 26

■ Introduction, description 28
 ■ Specifications 29
 ■ References 35
 ■ Dimensions, mounting 35
 ■ Wiring diagrams 36

Specialty module I/O bases

Selection guide 38

■ Introduction, description 40
 ■ Specifications 41
 ■ References 42
 ■ Wiring diagrams 43

Communication adapters

Selection guide 44

■ Ethernet TCP/IP network communication adapters 48
 ■ Modbus Plus™ network communication adapters 50
 ■ FIPIO™ bus communication adapters 54
 ■ INTERBUS™ bus communication adapters 56
 ■ Profibus DP™ bus communication adapter 58

M1/M1E processor adapters and option adapters

Processor adapters selection guide 60

■ M1/M1E processor adapters

□ Introduction	62
□ Description	63
□ Specifications	64
□ References	68

Option adapters selection guide 70

■ Option adapters

□ Introduction	72
□ Description	73
□ Specifications	74
□ References	75

Ethernet network cabling system

■ Infrastructure	76
■ ConneXium™ connection components	78
■ ConneXium hub	80
■ ConneXium transceiver	81
■ ConneXium switches	82

Programming software (for M1/M1E processor adapters)

■ Concept™ IEC programming software

□ Introduction	90
□ Functions	91
□ References	95

■ ProWORX™ 32 for 984™ Ladder Logic programming software

□ Introduction	96
□ References	99

Additional products and services

■ Optional conformal coating for aggressive environments

□ Introduction	100
□ References	101

■ Enhanced grounding system

□ Introduction	102
□ References	102

■ User documentation

■ Automation product certifications

■ Community regulations

■ Product reference index

Advantys™, Altistart™, Altivar™, Concept™, ConneXium™, FactoryCast™, FIPIO™, FIPway™, Lexium™, Magelis™, M340™, Modbus™, Modbus Plus™, Modicon™, Modsoft™, Momentum™, OSItrack™, Phaseo™, PowerSuite™, Premium™, Preventa™, ProWORX 32™, Quantum™, Schneider Electric™, Telefast™, TeSys™, Transparent Ready™, TSX Micro™, Twido™, TwidoSoft™, TwidoSuite™, Unity™, Unity™ Pro, Vijeo Designer™, Vijeo Look™ X-Way™ are trademarks or registered trademarks of Schneider Electric. Other trademarks used herein are the property of their respective owners.

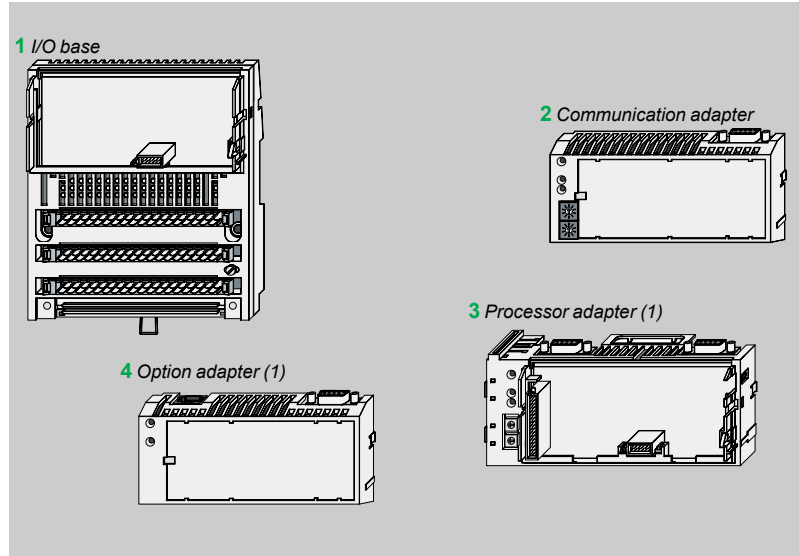
Modicon™ Momentum™ automation platform

A modular concept with four easy pieces

The Modicon™ Momentum™ I/O system is comprised of 4 fundamental components – that easily snap together in various combinations – to form a versatile, distributed I/O system.

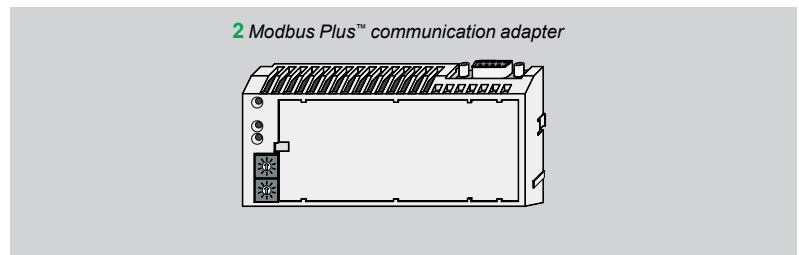
The four components are:

- 1 I/O base
- 2 Communication adapter
- 3 Processor adapter
- 4 Option adapter



Modicon Momentum communication adapters 2

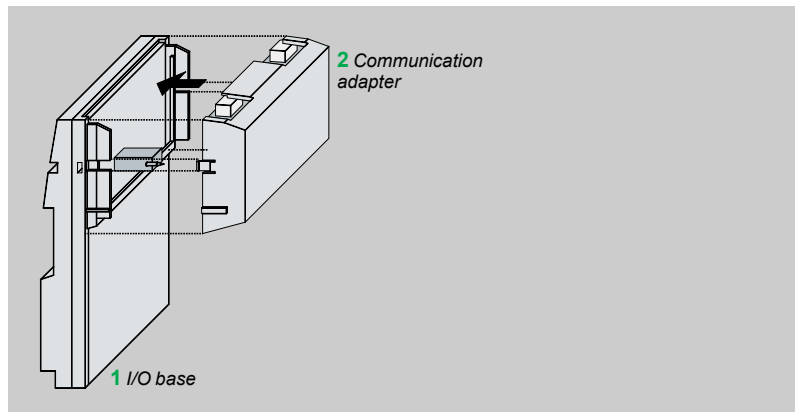
The design of the Modicon Momentum separates the communications from the I/O base 1, thus creating a truly open I/O system that can be easily adapted to any fieldbus network. When a Modicon Momentum I/O is coupled with a communication adapter 2, the two form a remote I/O drop that connects directly to virtually any standard fieldbus I/O network. Together, Modicon Momentum I/O supports different types of control systems, including: personal computers, distributed control systems, programmable controllers and Modicon Momentum processors.



(1) The processor adapters 3 are only compatible with Concept™ or ProWORX™ software.

Modicon™ Momentum™ I/O bases

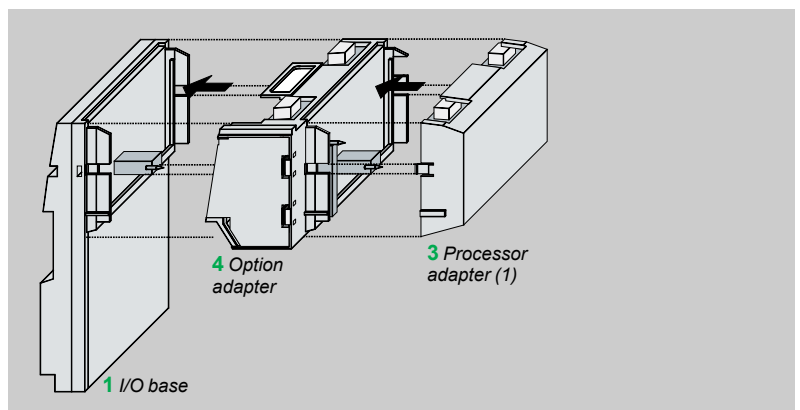
A specialized Modicon Momentum I/O base supports the rest of the control system. The communication adapter **2**, processor adapter and option adapter all snap onto the I/O base **1**. A selection of I/O base modules are available, including analog I/O, discrete I/O, multi-function analog and bi-directional discrete bases. In addition, Modicon Momentum I/O bases offer simple plug-in terminal strips, as well as standard 35 mm DIN rail or panel mounting, for ease of maintenance and installation.



Modicon Momentum processors adapters **3** and option adapters **4** (1)

When local distributed intelligence is required at the point of control, Modicon Momentum has the answer. The Modicon Momentum M1 processor adapter **3** is a full fledged PLC containing a CPU, RAM and Flash memory. It is based on the popular Modicon family of PLCs (i.e., directly compatible with Quantum™, Compact™ and 984™ PLCs), and snaps onto the Modicon Momentum I/O base **1**, just like the communication adapter **2**.

The option adapter **4** provides the processor adapter with additional networking capabilities, a time-of-day clock, and a battery back-up. The option adapter also snaps onto the I/O base. In the figure below, the processor adapter is stacked on top.



Optional conformal coating

If your control system needs to operate in a corrosive environment, selected Modicon Momentum modules can be ordered with a conformal coating applied to components of the product. Conformal coating will extend product life and enhance its environmental and performance capabilities. See pages 100 and 101.

Enhanced grounding system



Due to new INTERBUS standards for electrical noise immunity, a number of Modicon Momentum products have been updated to include an enhanced grounding system. This system is required to meet the revised electrical noise immunity standard (ability to pass a 2.2 kV electrical fast transient burst test).

See page 102 for a list of Modicon Momentum products that currently have been updated to include the new grounding system.

(1) The processor adapters are only compatible with the Concept or ProWORX software.

Modicon™ Momentum™ automation platform

Discrete I/O bases

Product type	Input modules for direct current		Input modules for alternating current	
				
Type of signal	True high			
Operating voltage and Input voltage	24 Vdc	120 Vac	230 Vac	
Current consumption	max. 250 mA		max. 125 mA	
Input type	IEC 1131 Type 1+	IEC 1131 Type 2	IEC 1131 Type 1+	
Output voltage	–			
Output type	–			
Number of points	1 x 16 In	2 x 16 In	2 x 8 In	
Potential isolation	Point to point	None	None	
	Group to group	None	1780 Vac	
	Field to adapter	500 Vac	1780 Vac	
Current capacity	Per output	–		
	Per group	–		
	Per module	–		
Response time	OFF-ON	2.2 ms	10 ms @ 60 Hz	13.3 ms @ 60 Hz
	ON-OFF	3.3 ms	35 ms @ 60 Hz	13.3 ms @ 60 Hz
Protection against short circuit and overload	–			
Fault reporting	Detected output fault	–		
	Detected I/O error	–		
	Blown fuse	–		
Type of module	170 ADI 340 00	170 ADI 350 00	170 ADI 540 50	170 ADI 740 50
Pages	17			

Output modules for direct current

Output modules for alternating current


Relay output module



True high							
24 Vdc		120 Vac		230 Vac		120 to 230 Vdc	
max. 250 mA		max. 125 mA		max. 65 mA		125 mA @ 120 Vac 65 mA @ 230VDC	
-							
24 Vdc		120 Vac		230 Vac		20 to 250 Vac 5 to 30 Vdc	
Solid state switch		Triac				Relay from "C"	
2 x 8 out	2 x 16 out	2 x 4 out	2 x 8 out	2 x 4 out	2 x 8 out	6 out (isolated)	
None	None					1780 Vac for 1 mn	
None	None					1780 Vac for 1 mn	
500 Vac	1780 Vac					1780 Vac for 1 mn	
0.5 A	0.5 A	2 A	0.5 A	2 A	0.5 A	5 A	
4 A	8 A	4 A	4 A	4 A	4 A	5 A	
8 A	16 A	8 A	8 A	8 A	8 A	21 A @ 60 °C 25 A @ 30 °C	
< 0.1 ms		max. 1/2 x 1/f			10 ms		
< 0.1 ms		max. 1/2 x 1/f			20 ms		
Electronically safeguarded		1 fuse per group			-		
1 LED/Out to adapter	1 LED/4 Out to adapter	None			-		
-	-	None			-		
-	-	1 LED			-		
170 ADO 340 00	170 ADO 350 00	170 ADO 530 50	170 ADO 540 50	170 ADO 730 50	170 ADO 740 50	170 ADO 830 30	

Modicon™ Momentum™ automation platform

Discrete I/O bases

Product type	I/O modules for direct current		
			
Type of signal	True high	True low	True high
Input voltage	24 Vdc		
Operating voltage	24 Vdc		
Current consumption	max. 250 mA		max. 250 mA + sensor current
Input type	IEC 1131 Type 1+		
Output voltage	24 Vdc		
Output type	Solid state switch		
Number of points	1 x 16 In, 2 x 8 Out		4 x 4 In, 2 x 4 Out
Potential isolation	Point to point	None	
	Group to group	None	
	Field to adapter	500 Vac	
Current capacity	Per output	0.5 A	2 A
	Per group	4 A	8 A
	Per module	8 A	16 A
Response time	OFF-ON	2.2 ms In, < 1 ms Out	2.2 ms In, < 1 ms Out
	ON-OFF	3.3 ms In, < 1 ms Out	3.3 ms In, < 1 ms Out
		60 μs in, < 1 ms Out	
		80 μs in, < 1 ms Out	
Protection against short circuit and overload	Electrically safeguarded outputs		Electrically safeguarded outputs and 4 electronically safeguarded sensor supply group
Fault reporting	Detected output fault	1 LED/Out to adapter	
	Detected I/O error	-	
	Blown fuse	-	
Type of module	170 ADM 350 10	170 ADM 350 11	170 ADM 350 15 170 ADM 370 10
Pages	17		

I/O modules for direct current

I/O modules for direct and alternating current



True high

24 Vdc	12, 24, 48 Vdc	24 Vdc	120 Vac	
24 Vdc	12, 24, 48 Vdc	24 Vdc	120 Vac	
max. 180 mA	500 mA @ 12 Vdc 250 mA @ 24 Vdc 125 mA @ 48 Vdc	max. 250 mA	max. 160 mA	
IEC 1131 Type 1+, monitored		IEC 1131 Type 1+		IEC 1131 Type 2
24 Vdc	12, 24, 48 Vdc	24...230 Vac or 20...115 Vdc / 24 Vdc (170 ADM 390 31 only)		120...132 Vac
Solid state switch		Relay (normally open)		Triac
1 x 16 In, 1 x 8 Out and 1 x 4 Out	1 x 16 In, 1 x 16 Out	1 x 10 In, 2 x 4 Out		1 x 10 In, 1 x 8 Out
None	None	None	1780 Vac	None
None	None	None	1780 Vac	None
500 Vac	707 Vdc	500 Vac	500 Vac	1780 Vac
0.5 A	0.5 A	2 A ohmic load		0.5 A
4 A group 1, 2 A group 2	–	8 A ohmic load		2 A
6 A	8 A @ 50 °C, 7 A @ 60 °C	16 A ohmic load		4 A
2.2 ms In, < 1 ms Out	2.2 ms In, < 2.5 ms Out	2.2 ms In, < 10 ms Out		max 1/2 x 1/f
3.3 ms In, < 1 ms Out	3.3 ms In, < 2.5 ms Out	3.3 ms In, < 10 ms Out		max 1/2 x 1/f
Electronically safeguarded outputs	Electrically safeguarded outputs	None	Varistor in parallel with each contact	1 internal fuse per group (not against overload)
1 LED/In, 1 LED/Out to adapter	1 LED/Out to adapter	None		None
–	–	–		1 LED/fuse
170 ADM 390 10	170 ADM 850 10	170 ADM 390 30 / 170 ADM 390 91	170 ARM 370 30	170 ADM 690 51

Introduction

Modicon™ Momentum™ automation platform products are modular in design. Communication adapters and Processor adapters are designed to work as functional modules when they are snapped onto a Modicon Momentum I/O base. This I/O base requires that some type of Modicon Momentum adapter be attached before it can be functional.

I/O bases fit into compact standard housings that can be mounted on a DIN rail or on panels in a cabinet. They read information from field sensing devices and control discrete and analog field actuating devices. Terminal blocks and bus bars are available for use with the bases so that these bases can be used to support 2-, 3-, and 4-wire field devices.

I/O field devices and the power supply to the module are connected via three 18-pin terminal blocks and an optional 1-, 2-, or 3-row busbar. The terminal connectors are electrically connected to the module, while the optional busbars are not.

Busbars provide a common connection for the field devices and serve as protective distribution connectors. Depending on the I/O base and the type and number of field devices connected to it, a 1-, 2-, or 3-row busbar may be used.

Terminal blocks and busbars are ordered separately, and are not shipped with the Modicon Momentum I/O bases. They are available in either screw-in or spring-clip versions.

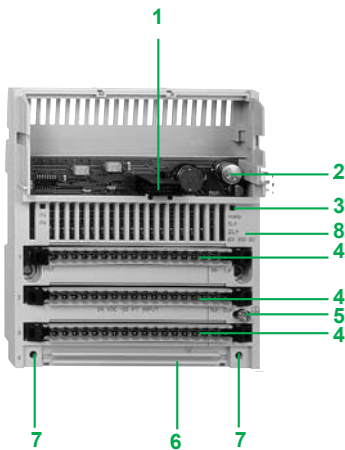
Description

170 AD● discrete I/O base units feature the following on the front panel:

- 1 Internal interface connector for the communication module or processor module
- 2 Locking and ground contact for the communication module or processor module
- 3 LED status indicators (the number of indicators will depend on the number of channels)
- 4 Up to three connectors for the removable terminal blocks (Modbus dependent).
- 5 Grounding screw
- 6 Slot for the power strip
- 7 Two screw holes for panel mounting
- 8 Protective cover

Connectors to be ordered separately:

- removable screw or spring terminals **170 XTS 00● 00**
- 1 to 3-row screw or spring bus bar **170 XTS 00● 01**



Specifications for discrete input bases					
Type of input base unit		170 ADI 340 00	170 ADI 350 00	170 ADI 540 50	170 ADI 740 50
Number of inputs		1 x 16	2 x 16	2 x 8	
Input voltage	V	24 DC		120 AC	230 AC
Operating voltage	V	24 DC		85...132 AC (@ 47...63 Hz)	164...253 AC (@ 47...63 Hz)
Internal current	mA	250 (@ 24 Vdc)		125 (@ 120 Vac)	125 (@ 230 Vac)
Input voltage range	V	- 3...30 DC		0...132 AC	163...253 AC
	V	ON voltage + 11...30 DC		74 AC minimum	164 AC minimum
	V	OFF voltage - 3...+ 5 DC		20 AC maximum	40 AC maximum
Input current	mA	ON 2.5 minimum		10.0 minimum	
	mA	OFF 1.2 maximum		2.0 maximum	
Input resistance	kΩ	4		9.5 @ 50 Hz 7.5 @ 60 Hz	9 @ 50 Hz 7.5 @ 60 Hz
		True High			
Response time	ms	On-off maximum 3.3		35.0 @ 60 Hz	13.3 @ 60 Hz
	ms	Off-on maximum 2.2		10.0 @ 60 Hz	13.3 @ 60 Hz
Potential isolation		Input to input None		None	
	V	Group to group None		1780 AC	
	V	Field to communication interface 500 AC		1780 AC	
Power dissipation	W	3 typical, 5 maximum	5.5 typical, 8.5 maximum	-	
Agency approvals		UL, CE, CSA, FM Class I, Div. II	UL, CE, CSA	UL, CE, CSA, FM Class I, Div. II	UL, CE, CSA

Modicon™ Momentum™ automation platform

Discrete I/O bases

Specifications for discrete output bases					
Type of output base unit		170 ADO 340 00	170 ADO 350 00	170 ADO 830 30	
Number of outputs		2 x 8	2 x 16	1 x 6	
Type of output		Solid state switch		Relay form "C"	
Output voltage		V		24 DC	
Operating voltage		V		24 DC	
Internal current		mA		250 @ 24 Vdc	
Current	Point maximum	A	0.5	0.5	5
	Group	A	4	8	5
	Module	A	8	16	21 @ 60 °C, 25 @ 30 °C
Min. output current		mA		–	
Leakage current		mA		< 1 @ 24 Vdc	
Surge current		A		5 for 1 ms	
On State Voltage drop		V		< 0.5 DC @ 0.5 A	
Protection (short-circuits, overloads)				Outputs electronically protected	
Response time	On-off maximum	ms		< 0.1	
	Off-on maximum	ms		< 0.1	
Potential Isolation	Output to output	V		None	
	Output group to output group	V		None	
	Field to communication interface	V		500 AC	
Power dissipation		W		3.5 typical 4.5 maximum	
Agency approvals				UL, CE, CSA, FM Class I, Div. II	
Type of output base unit		170 ADO 530 50	170 ADO 540 50	170 ADO 730 50	170 ADO 740 50
Number of outputs		2 x 4	2 x 8	2 x 4	2 x 8
Type of output		Triac			
Output voltage		V		120 AC	
Operating voltage		V		120 AC (300 for 10 s, 400 for 1 cycle)	
Internal current		mA		125	
Current	Point maximum	A	2	0.5	2
	Group	A	4		0.5
	Module	A	8		
Min. output current		mA		5	
Leakage current		mA		1.9 @ 120 Vac	
Surge current		A		Point: 15 (1 cycle), 10 (2 cycles), 5 (3 cycles)	
On State Voltage drop		V		< 1.5 AC @ 2 A	
Protection (short-circuits, overloads)				Via internal 5 A slow-blow fuse per group	
Response time	On-off maximum	ms		1/2 x 1/f (= 0,5 of one line cycle)	
	Off-on maximum	ms		1/2 x 1/f (= 0,5 of one line cycle)	
Potential Isolation	Output to output	V		None	
	Output group to output group	V		None	
	Field to communication interface	V		1780 AC	
Power dissipation		W		6.0 typical 7.5 maximum	
Agency approvals				UL, CE, CSA, FM Class I, Div. II	

Specifications for discrete I/O bases						
Type of base unit		170 ADM 350 10	170 ADM 350 11	170 ADM 350 15	170 ADM 390 10	
Number of inputs		1 x 16			1 x 16	
Number of outputs		2 x 8			1 x 8 and 1 x 4	
Operating voltage		Vdc	24			
Internal current		mA	250 @ 24 Vdc			
Inputs		Vdc	24			
Voltage			24			
Type of signal			True high	True low	True high	
Voltage at 1		Vdc	+ 11...+ 30	- 3...+ 5	+ 11...+ 30	
Voltage at 0		Vdc	- 3...+ 5	+ 4...+ 30	- 3...+ 5	
Input current		mA	2.5 min. at state 1 (6 mA at c 24 V), 1.2 max. at state 0			
Input voltage range		Vdc	- 3...+ 30			
Input resistance		kΩ	4			
Response time						
		Off to on	ms	2.2	0.06	2.2 In, < 1 Out
		On to off	ms	3.3	0.08	3.3 In, < 1 Out
Fault sensing			-			
					Broken wire detection	
Outputs		Vdc	24, 30 max.			
Voltage			24, 30 max.			
Type			Solid state switch			
Type of signal			True high	True low	True high	
Current capacity		A	0.5 per point 4 per group 8 per module			
Leakage current		mA	< 1 @ 24 Vdc			
Peak current		A	5 for 1 ms			
On state voltage drop		Vdc	< 0.5 @ 0.5 A			
Detected error indication			Output overload for at least one output to communication adapter			
					Output overload for at least one output to communication adapter	
Response time						
		Off to On	ms	< 0.1		
		On to Off	ms	< 0.1		
Potential isolation			None			
Input to input			None			
Output to output group			None			
Input to output group			None			
Field to communication interface		V	500 AC			
Power dissipation			6.0			
Typical		W	6.0			
Maximum		W	8.0			
Agency approvals			UL, CE, CSA			
					UL, CE, CSA, FM Class I, Div. II	

Modicon™ Momentum™ automation platform

Discrete I/O bases

Specifications for discrete I/O bases				
Type of base unit		170 ADM 370 10	170 ADM 850 10	
Number of points	Inputs	4 x 4	1 x 16	
	Outputs	2 x 4	1 x 16	
Operating voltage	Vdc	24	12, 24, 48 (10...60)	
Internal current	mA	250 @ 24 Vdc (plus current for sensors)	500 @ 12 Vdc 250 @ 24 Vdc 125 @ 48 Vdc	
Inputs	Voltage	Vdc	24	
	Type of signal		True high	
	Voltage at 1	Vdc	+ 11...+ 30	
	Voltage at 0	Vdc	- 3...+ 5	
	Input current	mA	2.5 min. at state 1 (6 mA at c 24 V), 1.2 max. at state 0	
	Input voltage range	Vdc	- 3...+ 30	
	Input resistance	kΩ	4	
	Response time	Off to On On to Off	ms ms	2.2 In, < 1 Out 3.3 In, < 1 Out
	Fault sensing			-
	Outputs	Voltage	Vdc	24, 30 max.
Type			Solid state switch	
Type of signal			True high	
Current capacity		A	2 per point 8 per group 16 per module	
Leakage current		mA	< 1 @ 24 Vdc	
Peak current		A	2.8 for 1 ms	
On state voltage drop		Vdc	-	
Detected error indication			Output overload for at least one output or short-circuit or overload on one of the 4 encoder supply groups, to communication adapter	
Response time		ms	< 0.1 Off to On, < 0.1 On to Off	
Potential isolation		Input to input		None
	Output to output group		None	
	Input to output group	V	None	
	Field to communication interface	Vrms	500 AC	
Power dissipation	Typical	W	6.5	
	Maximum	W	10.0	
Agency approvals			UL, CE, CSA	
			UL, CE, CSA, FM Class I, Div. II	

Specifications for discrete I/O bases				
Type of base unit			170 ADM 390 30 / 170 ADM 390 31	170 ARM 370 30
Number of points	Inputs		1 x 10	
	Outputs		2 x 4	
Operating voltage		V	24 DC	120 AC (47...63 Hz)
Internal current		mA	250 @ 24 Vdc	5 minimum load current
Inputs	Voltage	V	24...230 AC 20...115 DC	
	Signal type		True High	
	On voltage minimum	Vdc	+ 11...+ 30	
	Off voltage maximum	Vdc	- 3...+ 5	
	Input current	mA	2.5 minimum On, 1.2 maximum Off	
	Input voltage range	Vdc	- 3...+ 30	
	Input resistance	kΩ	4	
	Response time	ms	2.2 Off to On, 3.3 On to Off	
Outputs	Voltage	V	24...230 AC, 20...115 DC / 24 Vdc (170 ADM 390 31 only)	
	Type		Relay normally open	
	Current capacity 24 Vdc	A	> 0.005 (new contacts), ohmic load 2 A maximum, inductive load 1 A maximum (LR ≤ 40 ms)	
	Current capacity 115 Vdc	A	Ohmic load 0.5 A maximum (switching current ≤ 1.5 A), inductive load 0.15 A maximum (LR ≤ 40 ms)	
	Current capacity Vac	A	2 A maximum (switching current ≤ 1.5 A) cosφ = 1, 1 A maximum cosφ = 0.5	2 A per point, 8 A per group, 16 A per module
	Leakage current	mA	< 1 @ 230 Vac	–
	Detected error indication		None	
	Response time	ms	10 @ 60 Hz Off to On, 10 @ 60 Hz On to Off	
	Max. number of switching circuits		> 30 x 10 ⁶ (mechanical), > 1 x 10 ⁵ (inductive load with external protection circuit)	
	Protection against short circuit and overload		None	Varistor in parallel with each contact
Potential isolation	Input to Input		None	
	Output group to output Group	V rms	None	1780 AC
	Input to output group	V rms	None	1780 AC
	Field to communication interface	V rms	500 AC	
Fusing	Internal		None	
	External operating voltage		315 mA fast-blow	4 A fast-blow
	External input voltage		max. 4 A fast-blow	None
	External output voltage		According to the supply of the connected actuators not to exceed 8 A slow-blow/group	None
Power dissipation	Typical	W	5.5	
	Maximum	W	8.5	
Agency approvals			UL, CE, CSA	UL, CE, CSA, FM Class I, Div. II

Specifications for discrete I/O bases			
Type of base unit		170 ADM 690 51	
Number of points	Inputs		1 x 10
	Outputs		1 x 8
Operating voltage		Vac	120 (47...63 Hz)
Internal current		mA	160 (@ 120 Vac)
Inputs	Voltage	Vac	120
	Signal type		True high
	On voltage minimum	Vac	74
	Off voltage maximum	Vac	20
	Input current	mA	6.0 minimum at state 1, 2.6 maximum at state 0
	Input voltage range	Vac	74...132
	Input resistance	kΩ	4
	Response time	ms	Maximum 1/2 x 1/f Off to On, maximum 1/2 x 1/f On to Off
Outputs	Voltage	Vac	120...132 (@ 47...63 Hz)
	Type		Triac
	Current capacity		0.5 A per point maximum, 30 mA per point minimum, 2 A per group, 4 A per module
	Leakage current	mA	< 1.3 (@ 120 Vac)
	Signal type		True High
	On state voltage drop	Vac	< 1.5 (@ 0.5 A)
	Detected error indication		None
	Response time	ms	1/2 x 1/f maximum from state 0 to state 1, 1/2 x 1/f maximum from state 1 to state 0
	Maximum switching cycles		3000/hr for 0.5 A inductive load
	Potential Isolation	Input to input	
Output group to output group			None
Input to output group			None
Field to communication interface		Vrms	1780 AC
Power dissipation	Typical	W	6
	Maximum	W	8
Protection	Internal fuses	A	2 x 2.5 slow-blow fuses
Agency approvals			UL, CE, CSA

Modicon™ Momentum™ automation platform

Discrete I/O bases



170 ADI ●●●●0

Discrete input bases

Type of current		Modularity (no. of points)	Conformity EC 1131-2	Reference	Weight kg
DC	24 V	16 (1 x 16)	Type 1	170 ADI 340 00	0.190
		32 (2 x 16)	Type 1	170 ADI 350 00	0.200
AC	120 V	16 (2 x 8)	Type 2	170 ADI 540 50	0.284
	230 V	16 (2 x 8)	Type 2	170 ADI 740 50	0.284

Discrete output bases

Type of current	Output voltage	Modularity (no. of points)	Current per output	Reference	Weight kg
DC solid state protected	24 V	16 (2 x 8)	0.5 A	170 ADO 340 00	0.210
		32 (2 x 16)	0.5 A	170 ADO 350 00	0.210
DC/AC relay form "C"	5...24 Vdc	6 isolated	5 A	170 ADO 830 30	0.260
	24...230 Vac				
AC triac protected, 1 fuse per group	120 V	8 (2 x 4)	2 A	170 ADO 530 50	0.320
		16 (2 x 8)	0.5 A	170 ADO 540 50	0.284
	230 V	8 (2 x 4)	2 A	170 ADO 730 50	0.320
		16 (2 x 8)	0.5 A	170 ADO 740 50	0.284



170 ADO ●●●0●0

Discrete I/O bases

Type of output current	Input voltage	Output voltage	Modularity		Reference	Weight kg
			Input	Outputs, current		
DC solid state	24 Vdc Type 1+	24 Vdc protected	16 I (1 x 16)	16 O (2 x 8) 0.5 A	170 ADM 350 10	0.200
			16 I, fast (1 x 16)	16 O (2 x 8) 0.5 A	170 ADM 350 11	0.200
			16 I (1 x 16)	16 O (2 x 8) 0.5 A	170 ADM 350 15	0.200
			16 I, wiring check (1 x 16)	12 O (1 x 8 and 1 x 4) 0.5 A	170 ADM 390 10	0.260
			16 I (4 x 4)	8 O (2 x 4) 2 A	170 ADM 370 10	0.220
DC relay	12...60 Vdc	12...60 Vdc	16 I (1 x 16)	16 O (1 x 16) 0.5 A	170 ADM 850 10	–
AC or DC relay	24 Vdc Type 1+	24/230 Vac 20/115 Vdc	10 I (1 x 10)	8 O (2 x 4) 2 A	170 ADM 390 30 (1)	0.260
					170 ARM 390 31 (2)	0.260
					170 ARM 370 30 (3)	0.260
AC triac	100...120 Vac Type 2	120 Vac	10 I (1 x 10)	8 O (1 x 8) 0.5 A protected by 1 fuse	170 ADM 690 51	0.220



170 ADM ●●●●●●

Accessories

Description	Composition	Type of connection	Reference	Weight kg
Terminal blocks for I/O base connection Set of 3 connectors	1 row	Screw	170 XTS 001 00	–
		Spring	170 XTS 002 00	–
Bus Bar	3 rows	Screw	170 XTS 004 01	–
		Spring	170 XTS 003 01	–
	2 rows	Screw	170 XTS 005 01	–
		Spring	170 XTS 008 01	–
		1 row	Screw	170 XTS 006 01
		Spring	170 XTS 007 01	–
Cable grounding rail	Used to connect the cable shielding	–	CER 001	–
High vibration environment clips	Kit containing 5 sets of clips	–	170 XTS 120 00	–
Dummy base unit	Used to prewire the I/O base units Requires screw or spring connection terminals	–	170 BDM 090 00	–
Discrete input simulator	16 channels, 24 Vdc	–	170 BSM 016 00	–

170 XTS 002 00



170 XTS 004 01



170 XTS 008 01



170 XTS 006 01



CER 001



170 BSM 016 00

Replacement parts

Description	Use	Reference	Weight kg
Sheets of labels	10 front labels for Modicon™ Momentum™ modules	170 XTS 100 00	–
Cable coding part kit	For screw or spring connection terminals	170 XCP 200 00	–

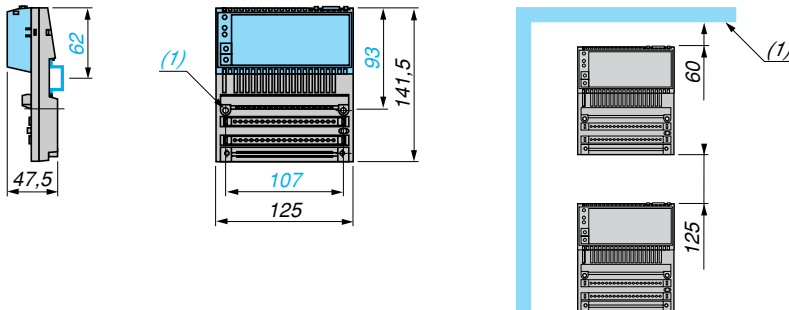
(1) Operating voltage 24 Vdc.

(2) Output voltage 24 Vdc.

(3) Operating voltage 120 Vac.

Dimensions, mounting

170 AD●, rail or panel mounting



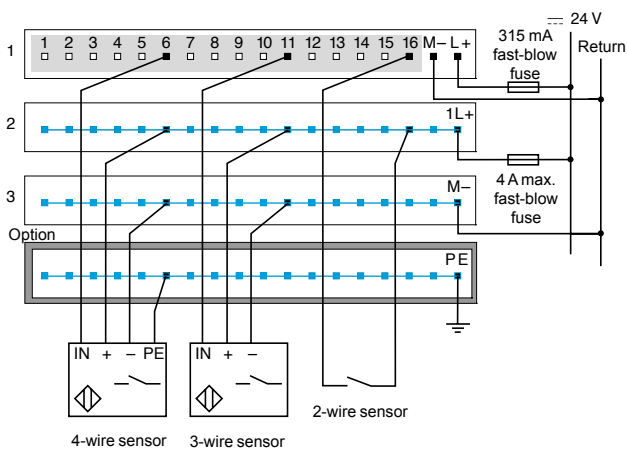
(1) 2 holes for M4 screws, for panel mounting

(1) Equipment or enclosure

Wiring diagrams for discrete input bases

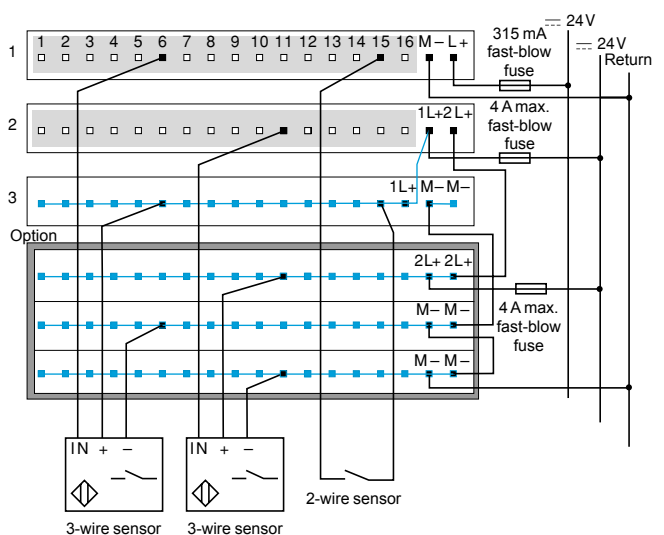
170 ADI 340 00

Example of external wiring of 2, 3 and 4-wire sensors



170 ADI 350 00

Example of external wiring of 2 and 3-wire sensors



Group of channels

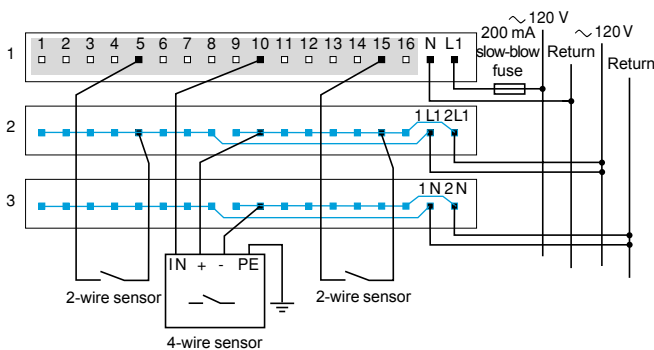
Internal wiring

Group of channels

Internal wiring

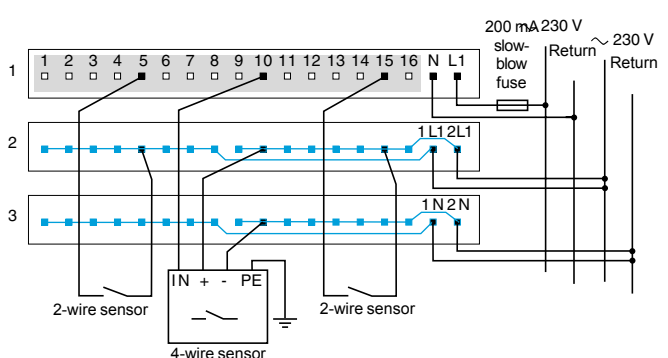
170 ADI 540 50

Example of external wiring of 2 and 3-wire sensors



170 ADI 740 50

Example of external wiring of 2 and 3-wire sensors



Group of channels

Internal wiring

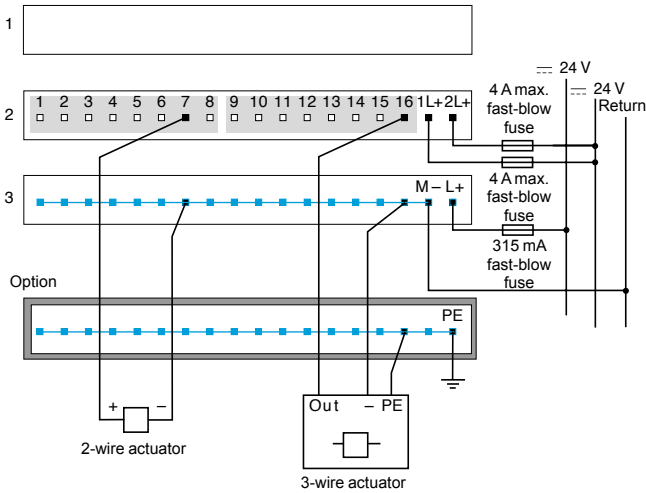
Group of channels

Internal wiring

Wiring diagrams for discrete output bases

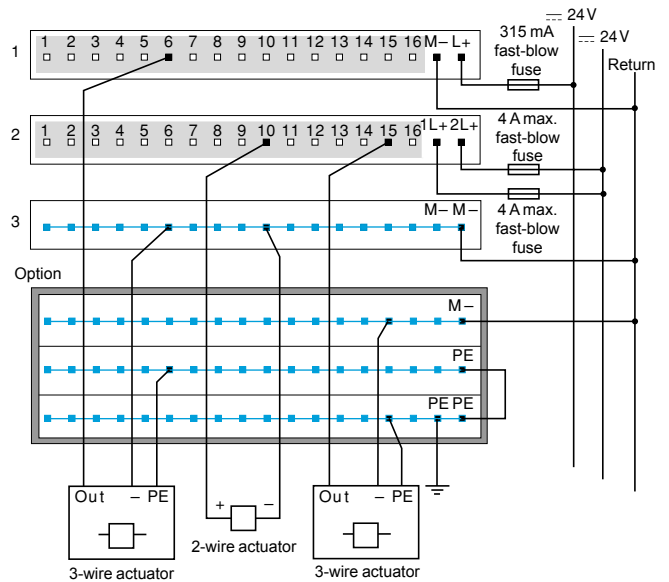
170 ADO 340 00

Example of external wiring of 2 and 3-wire actuators



170 ADO 350 00

Example of external wiring of 2 and 3-wire actuators



Group of channels

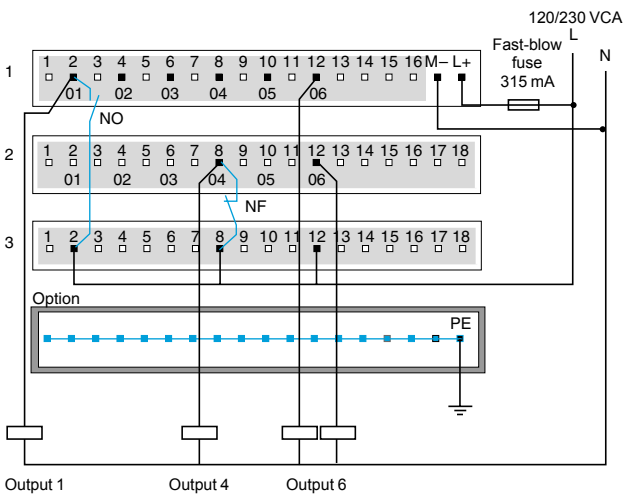
Internal wiring

Group of channels

Internal wiring

170 ADO 830 30

Example of external wiring



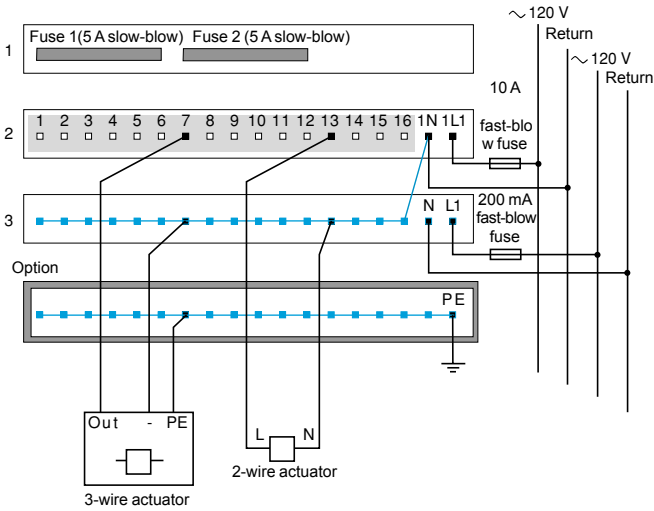
Group of channels

Internal wiring

Wiring diagrams for discrete output bases

170 ADO 530 50/ADO 540 50

Example of external wiring of 2 and 3-wire actuator

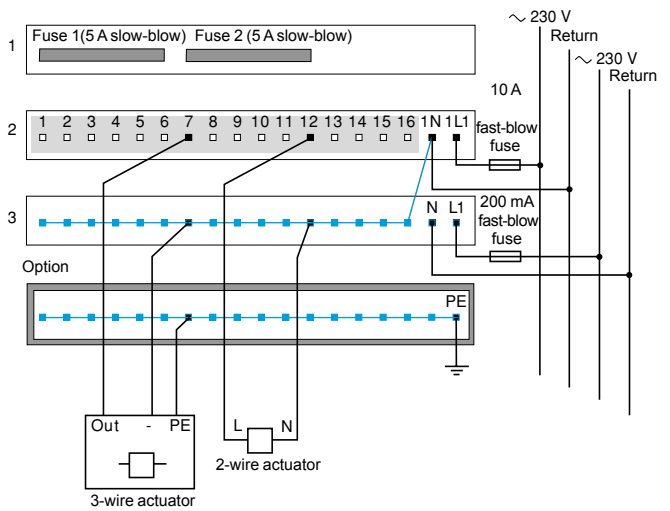


Group of channels

Internal wiring

170 ADO 730 50/ADO 740 50

Example of external wiring of 2 and 3-wire actuators



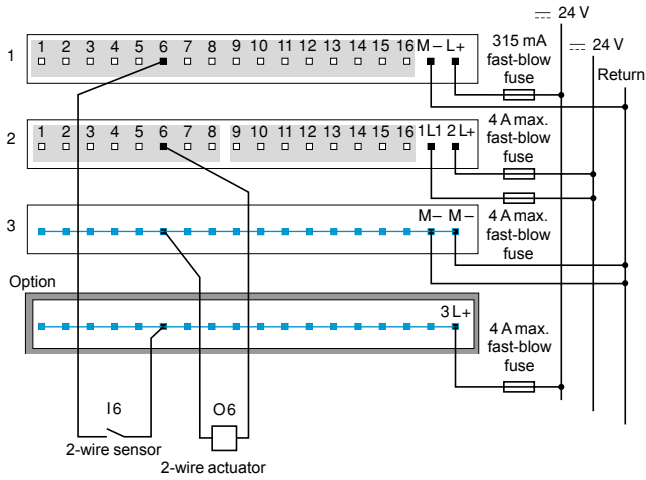
Group of channels

Internal wiring

Wiring diagrams for discrete I/O bases

170 ADM 350 10/ADM 350 11/ADM 350 15

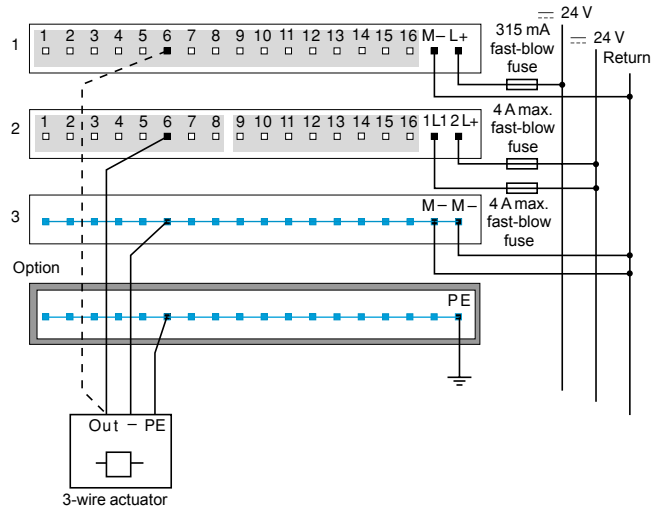
Example of external wiring of a 2-wire sensor/actuator



Group of channels

Internal wiring

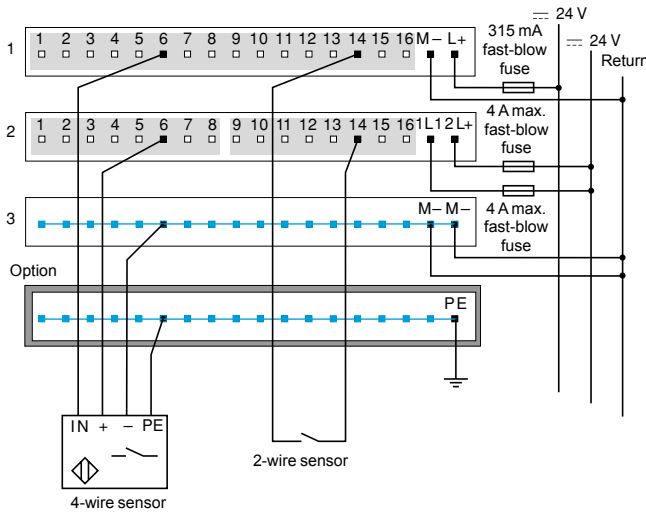
Example of external wiring of a 3-wire actuator with wiring check



Group of channels

Internal wiring

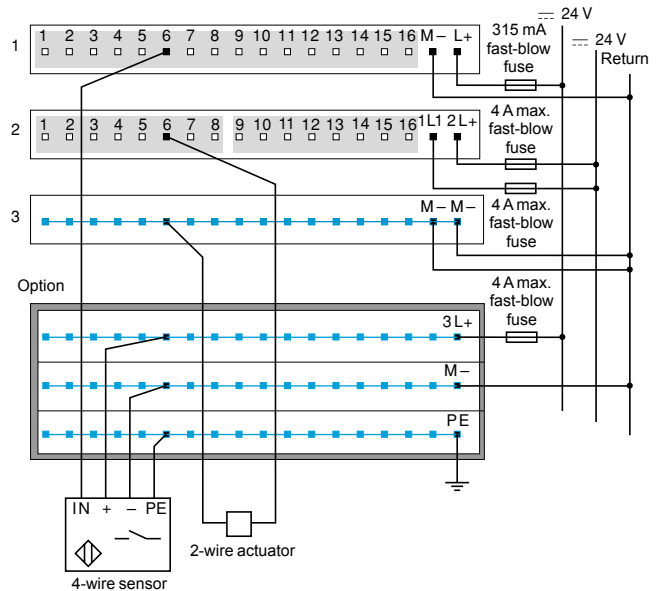
Example of external wiring of a 4-wire sensor activated by an output



Group of channels

Internal wiring

Example of external wiring of a 4-wire sensor/2-wire actuator



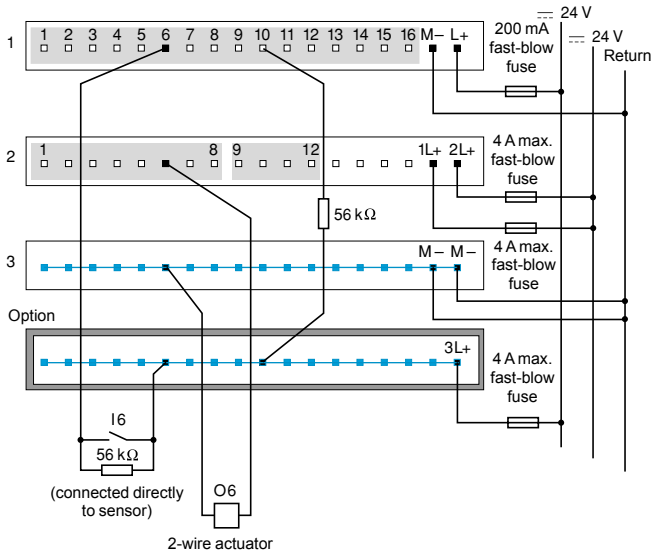
Group of channels

Internal wiring

Wiring diagrams for discrete I/O bases

170 ADM 390 10

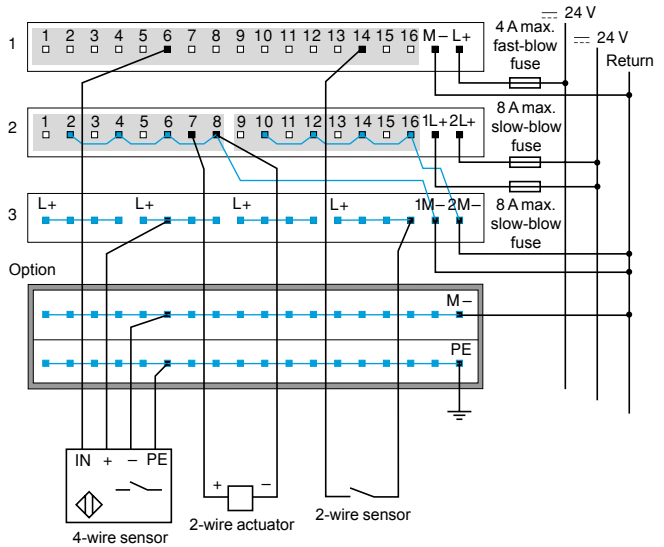
Example of external wiring of 2-wire sensor/actuator



Group of channels
Internal wiring

170 ADM 370 10

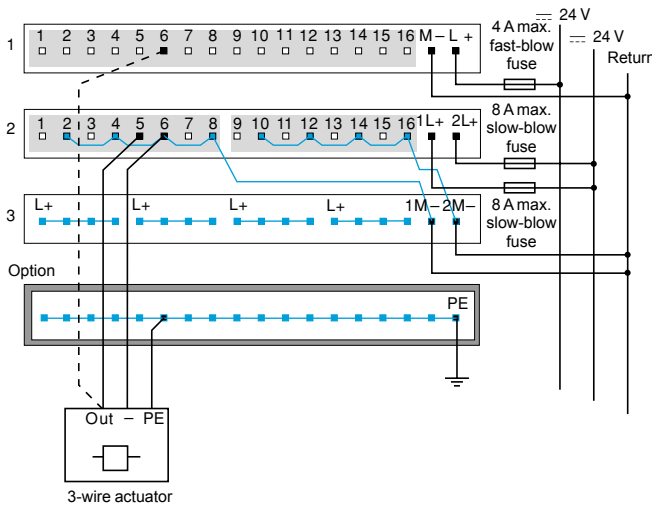
Example of external wiring of 2 and 4-wire sensors/2-wire actuator



Group of channels
Internal wiring

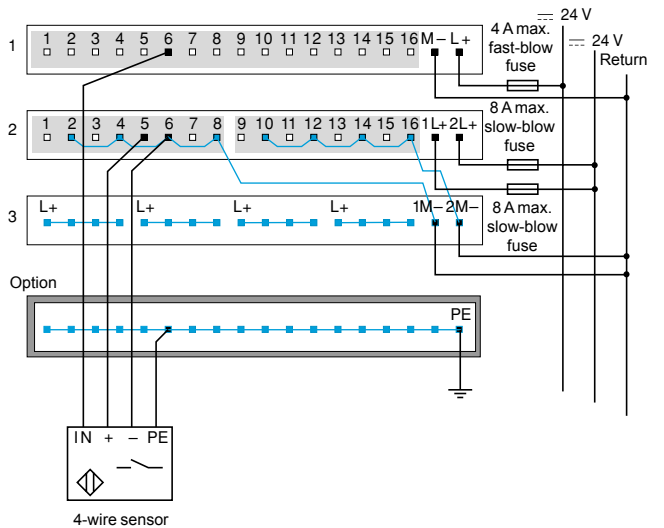
170 ADM 370 10 (continued)

Example of external wiring of 3-wire actuator with wiring check



Group of channels
Internal wiring

Special external wiring, the output activates the sensor



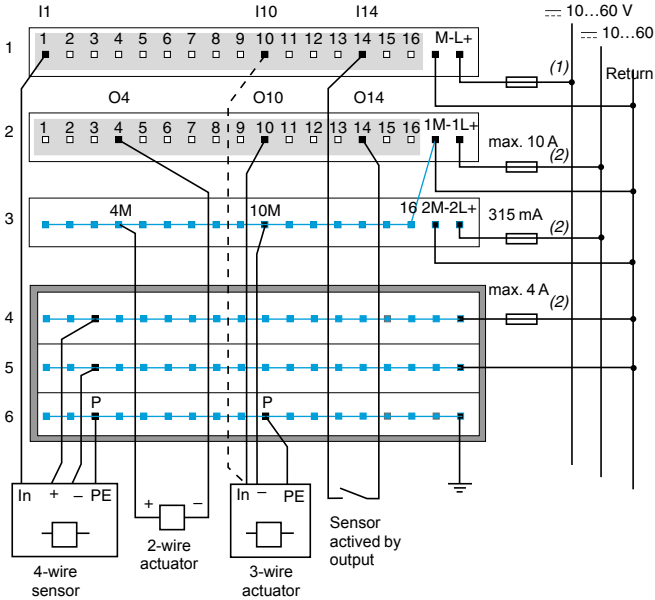
Group of channels
Internal wiring

Wiring diagrams for discrete I/O bases

170 ADM 850 10

Example of external wiring of:

- 4-wire sensor
- 2-wire actuator
- 3-wire actuator with wiring check
- 2-wire sensor activated by output



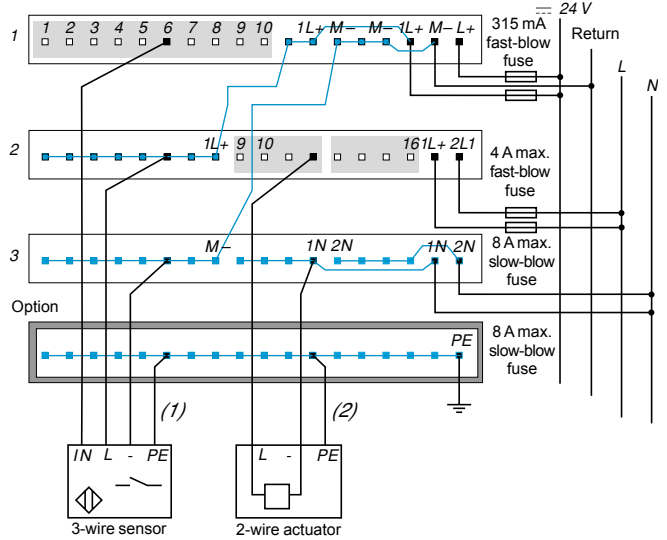
Group of channels

Internal wiring

- (1) Fast-blow fuse: $\sim 12\text{ V}$: 630 mA, $\sim 24\text{ V}$: 315 mA, $\sim 48\text{ V}$: 200 mA.
 (2) Fast-blow fuse.

170 ADM 390 30 / 170 ADM 390 31

Example of external wiring of 3 or 4 sensor/3-wire/actuator



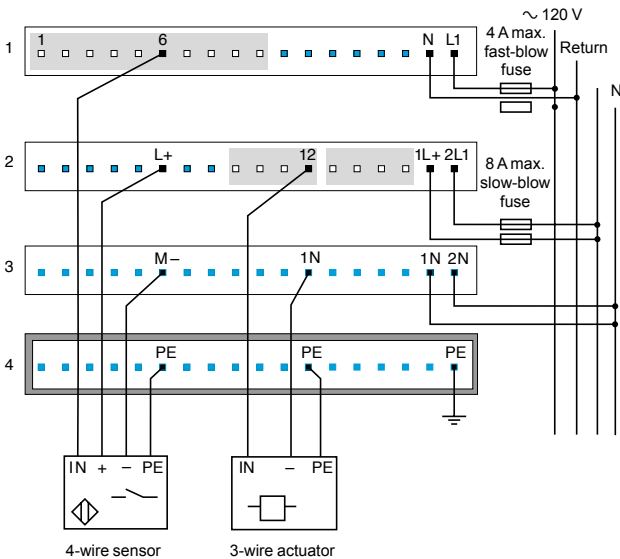
Group of channels

Internal wiring

- (1) For 4-wire sensor
 (2) For 3-wire actuator

170 ARM 370 30

Example of external wiring of 4-wire sensor/3-wire actuator

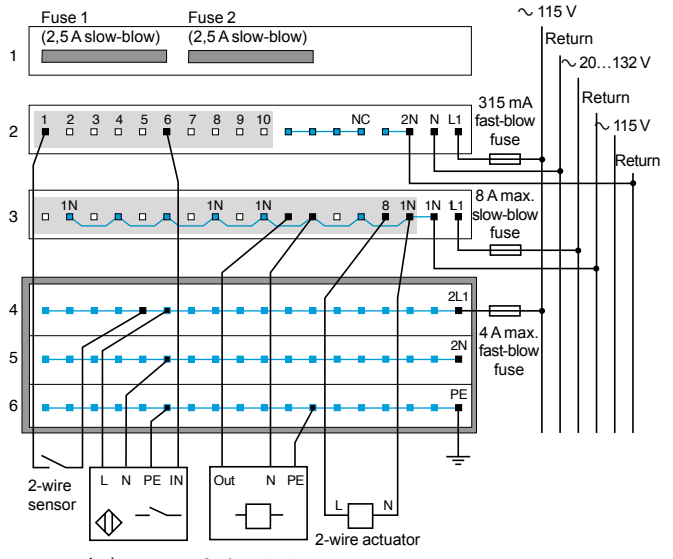


Group of channels

Internal wiring


170 ADM 690 51

Example of external wiring of 4-wire sensor/2 and 3-wire actuators



Group of channels

Internal wiring

Applications		24 Vdc analog input bases		
				
Operating voltage		24 Vdc		
Measurement range		Inputs ± 5 V, ± 10 V, ± 20 mA 1-5 V, 4-20 mA	Inputs ± 5 V, ± 10 V, 4-20 mA	Inputs ± 25 mV, ± 100 mV, Temperature probe Pt 100, Pt 1000, Ni 100, Ni 1000 Thermocouple B, E, J, K, N, R, S, T
Modularity	Input channels	8 differential inputs	16 single-ended inputs	4 differential inputs
	Output channels	–	–	–
	Discrete I/O	–	–	–
Resolution		14 bits + sign bipolar 15 bits unipolar	12 bits + sign	15 bits + sign
Update time		1.33 + 1.33 x no. of declared channels (ms)	1 + 1.5 x no. of declared channels (ms)	500 ms
Potential isolation	Between channels	200 Vdc, 1 min	None	400 Vdc
	Base and ground	500 Vdc, 1 min	500 Vdc, 1 min	500 Vdc, 1 min
	Channels and ground	500 Vac, 1 min	1780 Vac, 1 min	500 Vac
Protection		Polarity inversion		
Number in words	In	8 words in	16 words in	4 words in
	Out	2 words out	4 words out	4 words out
Fail states		–		
Type of communicating module		170 AAI 030 00	170 AAI 140 00	170 AAI 520 40
Pages		34		

24 Vdc analog output bases

24 Vdc mixed I/O bases (analog/discrete)



24 Vdc		12 Vdc	24 Vdc		
Outputs ± 10 V, 0-20 mA	Outputs ± 10 V, 4-20 mA	Inputs ± 5 V, ± 10 V, ± 20 mA 1-5 V, 4-20 mA Outputs ± 10 V, 0-20 mA	Inputs 0...10 V Outputs 0...10 V	Inputs - 10...+ 10 V Outputs - 10...+ 10 V	
-	-	4 differential inputs 2 outputs	6 inputs with common point 4 outputs with common point	-	
4 outputs	-	4 inputs 24 Vdc 2 outputs 24 Vdc/0.5 A	8 inputs 24 Vdc 8 outputs 24 Vdc/0.25 A	-	
-	-	4 inputs 12 Vdc 2 outputs 12 Vdc/1 A	-	-	
12 bits + sign	-	Inputs: 12...14 bits (dep. on range) Outputs: 12 bits	Inputs: 14 bits Outputs: 14 bits	-	
2 ms	-	Inputs: 10 ms Outputs: 1 ms	Inputs: 0.75 ms (for 6 inputs) Outputs: 1.2 ms (for 4 inputs)	-	
None	-	None	-	-	
500 Vdc, 1 min	-	500 Vac, 1 min	-	-	
500 Vac, 1 min	-	500 Vac, 1 min	-	-	
Polarity inversion	-	Short-circuits and overloads (for discrete outputs)	-	-	
-	-	-	-	-	
5 words out	-	5 words in 5 words out	5 words in 5 words out	12 words in 12 words out	
-	-	-	-	-	
Hold, reset to zero, reset to full scale	-	Hold or reset to zero	-	-	
170 AAO 120 00	170 AAO 921 00	170 AMM 090 00	170 AMM 090 01	170 ANR 120 90	170 ANR 120 91

Introduction

Modicon™ Momentum™ analog input bases enable acquisition of various analog values encountered in industrial applications, including:

- Standard high level ($\pm 5\text{ V}$, $\pm 10\text{ V}$, $1\text{-}5\text{ V}$, $4\text{-}20\text{ mA}$, $\pm 20\text{ mA}$)
- Low level ($\pm 25\text{ mV}$, $\pm 100\text{ mV}$)
- Thermocouples (B, E, J, ...)
- Temperature probes (Ni ..., Pt ...)

Analog output bases are used to control analog field devices such as: speed drives and proportional control valves. The current or the voltage is proportional to the digital value defined by the user program. The outputs can be configured so that when the program stops, the outputs either reset to zero or hold the last value received. This feature is useful during debugging because, if the outputs are set to "Hold", the operation of the analog field devices is not disturbed every time the program stops.

Designed to cover a wide range of applications, Modicon Momentum I/O bases offer the following functions in addition to A/D or D/A conversion:

- Choice of input/output ranges (voltage, current, thermocouple, temperature probes)
- Selection of number of channels used
- Cold junction compensation for thermocouple modules
- Broken wire detection (**170 AAI 030 00**, **170 AAI 140 00** and **170 AAI 520 40** models)

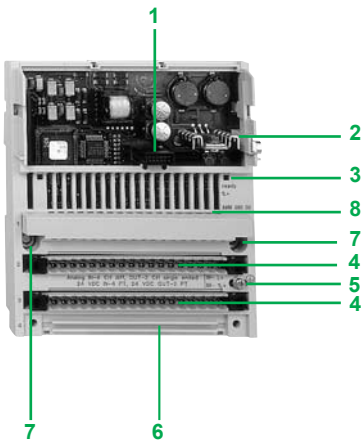
Description

170 A●● analog I/O base units feature the following on the front panel:

- 1 Internal interface connector for the communication module or processor module
- 2 Locking and ground contact for the communication module or processor module
- 3 LED status indicators (the number of indicators will depend on the number of channels)
- 4 Two connectors for the removable terminal blocks
- 5 Grounding screw
- 6 Slot for the power strip
- 7 Two screw holes for panel mounting
- 8 Protective cover

Connectors to be ordered separately:

- removable screw or spring terminal blocks **170 XTS 00● 00**
- 1 to 3-row screw or spring bus bar **170 XTS 00● 01**



Specifications for analog input bases							
Type of base units		170 AAI 030 00					
Number of inputs		1 x 8 differential inputs					
LEDs		Ready (green)					
Format of data		Full 16 bits signed (2's complement)					
Protection	Base and actuators	Polarity inversion					
Ranges			± 10 Vdc	± 5 Vdc	4...20 mA	± 20 mA	1...5 Vdc
	Input impedance	kΩ	> .1000	> .1000	250	250	> .1000
	Maximum variation at 25 °C	%	0.27	0.21	0.27	0.32	0.13
	Maximum variation at 60 °C	%	0.32	0.26	0.38	0.41	0.19
	Resolution		14 bits + sign bipolar 15 bits unipolar				
Conversion times		ms	12 ms max. for 8 input channels (1.33 ms per input channel + 1.33 ms)				
Error indication			None				
Isolation	Channel to channel	Vdc	± 200 for 1 minute				
	Field to ground	Vdc	500 for 1 minute				
	Communication adapter to ground	Vac	500 for 1 minute				
Common mode rejection	Channel to ground		250 Vac @ 47...63 Hz or 100 Vdc				
Crosstalk between channels		dB	≥ 80				
External power requirement	Nominal	Vdc	24				
	Limit values	Vdc	20.4 to 28.8				
	Current	mA	< 382 @ 24 Vdc				
EMC for industrial environment	Immunity		IEC 1131 surge on auxiliary power supply 2 kV				
	Emissions		EN 50081-2				
	Approvals		UL, CSA, CE				

Specifications for analog input bases							
Type of base units		170 AAI 140 00		170 AAI 520 40			
Number of inputs		1 x 16 single-ended input		1 x 4 differential inputs			
Format of data		Full 16 bits signed (2's complement)					
Protection	Base and actuators	Polarity inversion					
Error indication		None					
Ranges		± 10 V	± 5 V	4...20 mA	± 25 mV	± 100 mV	
	Input impedance	kΩ	> 2200	> 2200	< 0.250	> 10000	> 10000
	Maximum variation at 25 °C		0.15 % FS	0.15 % FS	0.25 % FS	± 21 μV	± 27 μV
	Maximum variation at 60 °C		0.25 % FS	0.25 % FS	0.45 % FS	± 46 μV	± 94 μV
	Temperature drift (60 °C)	%	30 PE / °C	30 PE / °C	60 PE / °C	–	–
	PE (Full scale)		10 V	5 V	16 mA	–	–
	Resolution		12 bits + sign	12 bits + sign	12 bits	15 bits + sign	
	Filtering		Low pass with cut-off frequency 10 kHz			–	
Current source	Pt100	mA	–	–	–	–	0.125
	Ni100	mA	–	–	–	–	0.125
	Pt1000	mA	–	–	–	0.125	–
	Ni1000	mA	–	–	–	0.125	–
Update time		ms	1 + 1.5 x n n = number of declared channels			500	
Error indication			None				
Potential isolation	Channel to channel	Vdc	None		400		
	Base power supply and ground	Vdc	500 for 1 minute		500 for 1 minute		
	Channels to ground	Vac	1780 for 1 minute		500 for 1 minute		
	Base power	V	± 30 (voltage or current output)			± 30 (voltage or current output)	
	Common mode Channel to ground	V	–			± 100 DC, 250 AC	
	Common mode Voltage between channels	V	–			200 DC, 115 AC single phase or 3-phase or 250 AC single phase	
Common mode rejection	Channel to ground		250 Vac at 47...63 Hz or 100 Vdc			135 dB DC, 145 dB AC 50 Hz, 155 dB AC 60 Hz	
	Between channels		–			120 dB DC, 130 dB AC 50 Hz, 140 dB AC 60 Hz	
Serial mode rejection			–			35 dB AC 50 Hz, 45 dB AC 60 Hz	
Input protection			Polarity inversion				
Operating voltage		Vdc	24				
Internal current		mA	305 @ 24 Vdc				
Power dissipation	Typical	W	4.95		3.5		
	Maximum	W	5.55		5.5		
Fusing	Internal		2 A slow-blow		2 A slow-blow		
	External		500 mA fast-blow		500 mA fast-blow		
Agency approvals			UL, CE, CSA, FM Class I, Div. II				

Specifications for analog output bases					
Type of base units		170 AAO 120 00	170 AAO 921 00		
Number of outputs		1 x 4			
Format of data		Full 16 bits signed (2's complement)			
Protection	Base and actuators	Polarity inversion			
Ranges	Load impedance	kΩ 1 minimum	0...20 mA 0.6 maximum	± 10 V 1 minimum	4...20 mA 0.6 maximum
	Capacitive load	μF < 1			
	Maximum variation at 25 °C	% 0.2 PE	0.3 PE	0.2 PE	0.4 PE
	Maximum variation at 60 °C	% 0.25 PE	0.4 PE	0.25 PE	0.5 PE
	Temperature drift (60 °C)	‰ 10 PE / °C	30 PE / °C	10 PE / °C	30 PE / °C
	Resolution		12 bits + sign		
	Update time	ms	< 2		
Full scale		10 V in the range of ± 10V 2 mA in the range of 0...20 mA			
Fail State		Hold, reset to zero, reset to full scale			
Potential isolation	Channel to channel		None		
	Base power supply and ground	Vdc	500 for 1 minute		
	Channels to ground	Vac	500 for 1 minute		
	Outprotections		Short-circuits in the voltage circuits, open in current polarity inversion		
	Base power	V	± 30 (voltage or current output)		
Common mode rejection		Vac	250 @ 47...63 Hz or 250 DC channel to ground		
Operating voltage		Vdc	24		
Internal current	Base	mA	530 @ 24 Vdc		
	Actuators	mA	150 @ 24 Vdc		
Power dissipation	Typical	W	5.6		
	Maximum	W	8.5		
Internal fusing		A	2, slow-blow		
Agency approvals			UL, CE, CSA		

Specifications for discrete and analog I/O bases							
Type of base unit		170 AMM 090 00	170 AMM 090 01				
Number of inputs and outputs		1 x 4 differential inputs 1 x 4 discrete inputs 1 x 2 analog outputs 1 x 2 discrete outputs					
Operating voltage	Vdc	24	12				
Internal current	mA	200 typical (at 24 Vdc), 350 maximum (at 24 Vdc)	700 maximum (at 12 Vdc)				
Differential inputs for 170 AMM 090 00/090 01	Conversion time	10 ms for all channels					
	Conversion tolerance		± 10 V	± 5 V	1...5 V	± 20 mA	4...20 mA
		25 °C	%	0.08	0.16	0.16	0.16
	60 °C	%	0.15	0.3	0.3	0.3	0.3
	Resolution		14 bits	13 bits	12 bits	13 bits	12 bits
	Conversion consistency	%	± 0.02	± 0.04	± 0.04	± 0.04	± 0.04
	Common mode voltage		Input voltage starting at Ag ± 11 V				
	Common mode suppression	dB	> 54		80		
	Overvoltage	V	± 30 solid state if voltage is 24 V		± 30 solid state if voltage is 12 V		
	Voltage ranges		± 50 dynamic max. 100 ms		± 50 dynamic max. 100 ms		
	Overvoltage current ranges	mA	-		> 48		
	Input resistance	Ω	1 M		250		
Fail state		Hold or reset to zero					
Discrete inputs	Voltage	Vdc	24 typical, 30 maximum		12 typical		
	Signal Type		True high				
	On Voltage	Vdc	+ 11...+ 30		+ 7.5...+ 15		
	Off Voltage	Vdc	- 3...+ 5		- 1.5...+ 2.5		
	Input current	mA	2.5 minimum at state 1 (6 mA at operating voltage), 1.2 maximum at state 0				
	Input resistance	kΩ	4		2.1		
	Response time	ms	2.2 from 0 to state 1 3.3 from 1 to state 0				
Analog outputs	Resolution		12 bits for single-phase measuring range 0...20 mA, 12 bits for 2-phase measuring range ± 10 V				
	Conversion time	ms	1 for all channels				
	Conversion maximum variation	25 °C	max. ± 0.35 % of upper measuring range value				
	60 °C	max. ± 0.70 % of upper measuring range value					
Output load		≥ 3 kΩ for voltage output, ≤ 600 Ω for current output					
Discrete outputs	Voltage	Vdc	24 typical, 30 maximum				
	Type		Semiconductor				
	Signal Type		True high				
	Current capacity		1 per channel, 2 per group, 2 per module				
	Leakage current	mA	< 1 @ 24 Vdc		< 1 @ 12 Vdc		
	On State Voltage drop	Vdc	< 0.5 @ 1 A		< 0.5 @ 0.5 A		
	Response time	Off to On	ms	< 0.1			
		On to Off	ms	< 0.1			
	Output protection		The outputs are protected against overload and short-circuit-circuiting				
	Output indicator		1 red LED per "On" output in the event of an overload or short-circuit-circuiting				
	Error message		Message "I/O error" on bus adapter if module is defective				
	Max. Switching cycles		1000/hr (inductive load 1 A), 100/s (resistive load 1 A), 8/s (filament load 2.4 W)				
	Potential isolation	Discrete input and output		None			
		Analog input to output		None			
Analog input and output and to operating voltage		Vac	500 for 1 minute				
Operating voltage and inputs and outputs from ground		Vac	500 for 1 minute				
Power dissipation	Typical	W	4.0				
	Maximum	W	6.0				
Agency approvals			UL, CE, CSA, FM Class I, Div. II		UL, CE, CSA		

Specifications for discrete and analog I/O bases				
Type of base unit		170 ANR 120 90	170 ANR 120 91	
Number of inputs and outputs		1 x 6 analog inputs 2 x 4 discrete inputs 1 x 4 analog outputs 1 x 8 discrete outputs		
Operating voltage		Vdc	24, range 19.2...30	
Internal current		mA	400 @ 24 Vdc	
Analog inputs	Resolution		14 bit	
	Input range	Vdc	0...10 - 10...+ 10	
	Input type		Single-ended	
	Conversion time		0.75 ms maximum for 6 input channels	
	Conversion tolerance		0.2 % @ 25 °C for 0 - 10 Vdc inputs	
	Max input signal	Vdc	15 for voltage input	
	Max temperature drift	Vdc	10 inputs	
	Input resistance	MΩ	>1 for voltage inputs	
Discrete inputs	Voltage	Vdc	24	
	Configuration		2 groups of 4 inputs	
	Signal Type		True high	
	Minimum on voltage	Vdc	> 11	
	Maximum off voltage	Vdc	< 5	
	Input current	Minimum On	mA	6
		Maximum Off	mA	2
	Input voltage	Range	Vdc	+ 3...+ 32
		Surge	Vdc	45 peak for 10 ms
	Response time	Off to On	ms	1.2,
On to Off		ms	1.2	
Analog outputs	Resolution		14 bit	
	Output range	Vdc	0...10 - 10...+ 10	
	Conversion time	ms	1.20 for four channels	
	Conversion tolerance		max. + 0.4 % of upper measuring range value @ 25 °C	
	Output load		> 2 kΩ minimum @ 0...10 Vdc	
	Fail state		Hold or reset to zero	
Discrete outputs	Voltage	Vdc	10-30 operating, 50 for 1 ms maximum	
	Type		Solid State Switch	
	Signal type		True high	
	Current capacity	A	0.25 per point, 2 per group, 2 per module	
	Leakage current	mA	0.4 @ 30 Vdc	
	Surge current	A	2.5 for 1 ms	
	On state voltage drop	Vdc	< 0.4 @ 0.25 A current	
	Response time	Off to On	ms	1.2
		On to Off	ms	1.05
	Output protection		The Outputs are protected against overload and short-circuiting	
	Output indicator		1 LED per point	
Potential isolation	Discrete input to output		None	
	Analog input to output		None	
	Analog input and output to operating voltage	Vac	500 for 1 minute.	
	Operating voltage and inputs and outputs from ground	Vac	500 for 1 minute	
Power dissipation	Typical	W	4.0	
	Maximum	W	6.0	
Agency approvals			UL, CE, CSA	

Modicon™ Momentum™ automation platform

Analog I/O bases



170 AAI 000 00



170 AAO 020 00



170 AAM 090 00

Analog input bases

Type of inputs	Number of channels	Ranges	Reference	Weight kg
12 bits + sign	16 single-ended	± 5 V, ± 10 V, 4-20 mA	170 AAI 140 00	0.215
15 bits + sign	4, differential	Pt 100, Pt 1000, NI 100 thermocouples B, E, J, K, N, R, S, T	170 AAI 520 40	0.215
	8, differential	± 5 V, ± 10 V, 1-5V ± 20 mA, 4-20 mA	170 AAI 030 00	0.215

Analog output bases

Type of outputs	Number of channels	Ranges	Reference	Weight kg
12 bits + sign	4	± 10 V, 0-20 mA	170 AAO 120 00	0.215
		± 10 V, 4-20 mA	170 AAO 921 00	0.215

Discrete and analog I/O bases

Type	Inputs	Outputs	Ranges	Reference	Weight kg	
4 differential analog 13 bits + sign	2 analogs 12 bits	2 analogs 12 bits	± 5 V, ± 10 V 1-5 V ± 20 mA 4-20 mA	170 AMM 090 00	0.240	
			0-20 mA ± 10 V			
4 discretes	2 discretes 0.5 A	2 discretes 0.5 A	24 Vdc	24 Vdc		
4 differential analog 13 bits + sign	2 analogs 12 bits	2 analogs 12 bits	± 5 V, ± 10 V 1-5 V ± 20 mA 4-20 mA	170 AMM 090 01	0.240	
			0-20 mA ± 10 V			
4 discretes	2 discretes 0.5 A	2 discretes 0.5 A	12 Vdc	12 Vdc		
6 analog 14 bits	4 analogs 14 bits	4 analogs 14 bits	0-10 V	0-10 V	170 ANR 120 90	0.240
2 x 4 discretes	1 x 8 discretes 0.25 A	1 x 8 discretes 0.25 A	24 Vdc	24 Vdc		
6 analog 14 bits	4 analogs 14 bits	4 analogs 14 bits	± 10 V	± 10 V	170 ANR 120 91	0.240
			24 Vdc	24 Vdc		
2 x 4 discretes	1 x 8 discretes 0.25 A	1 x 8 discretes 0.25 A	24 Vdc	24 Vdc		



170 XTS 001 00



170 XTS 002 00



170 XTS 004 01



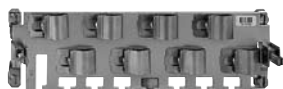
170 XTS 005 01



170 XTS 008 01



170 XTS 006 01



CER 001

Accessories

Description	Composition	Type of connection	Reference	Weight kg
Terminal blocks	Set of 3 connectors	Screw	170 XTS 001 00	–
	1 row	Spring	170 XTS 002 00	–
Bus Bar	3 rows	Screw	170 XTS 004 01	–
		Spring	170 XTS 003 01	–
	2 rows	Screw	170 XTS 005 01	–
		Spring	170 XTS 008 01	–
	1 rows	Screw	170 XTS 006 01	–
		Spring	170 XTS 007 01	–
Cable Grounding Rail	Used to connect the cable shielding		CER 001	–
High vibration environment clips	Used to prewire the I/O base units. Requires screw or spring connection terminals		170 BDM 090 00	–

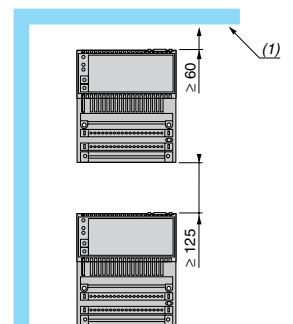
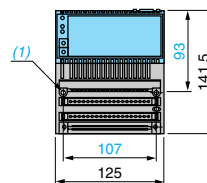
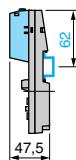
Replacement parts

Description	Use	Reference	Weight kg
Sheets of labels	10 front labels for Modicon™ Momentum™ modules	170 XTS 100 00	–
Set of coding and locating device	For screw or spring connection terminals	170 XCP 200 00	–

Dimensions, mounting

170 A●●

Rail or panel mounting



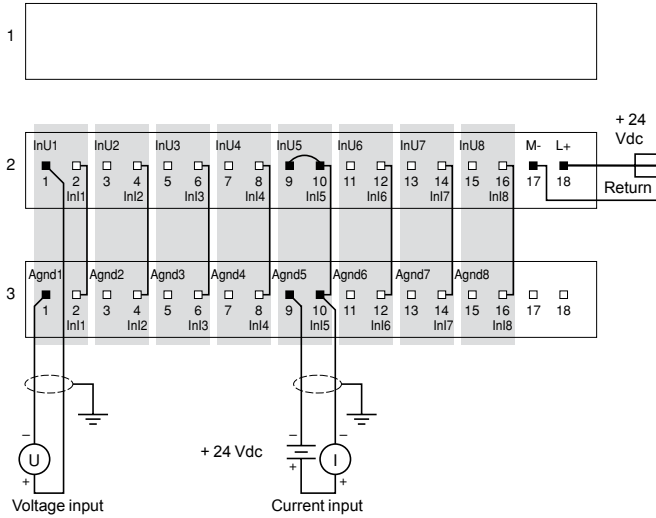
(1) 2 holes for M4 screws, for panel mounting.

(1) Equipment or enclosure.

Wiring diagrams for analog input bases and analog output bases

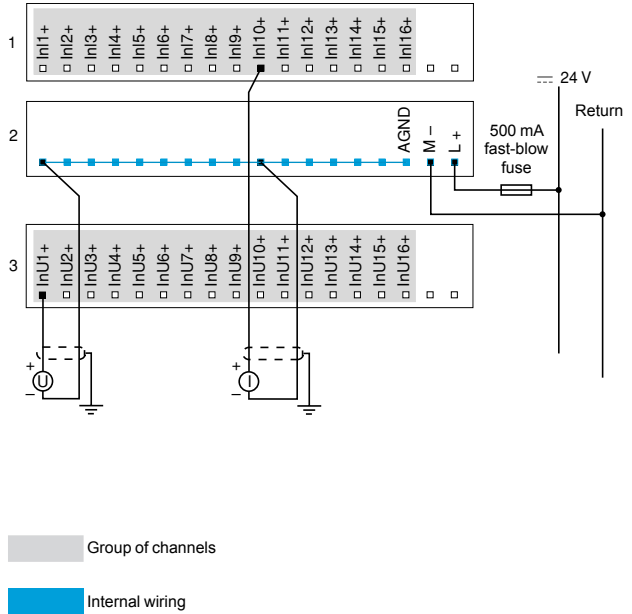
170 AAI 030 00

Example of external wiring of 2-wire sensor



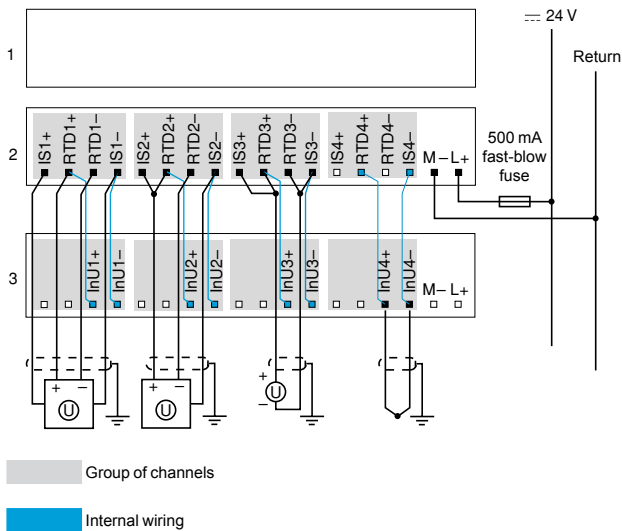
170 AAI 140 00

Example of external wiring of 2-wire sensor



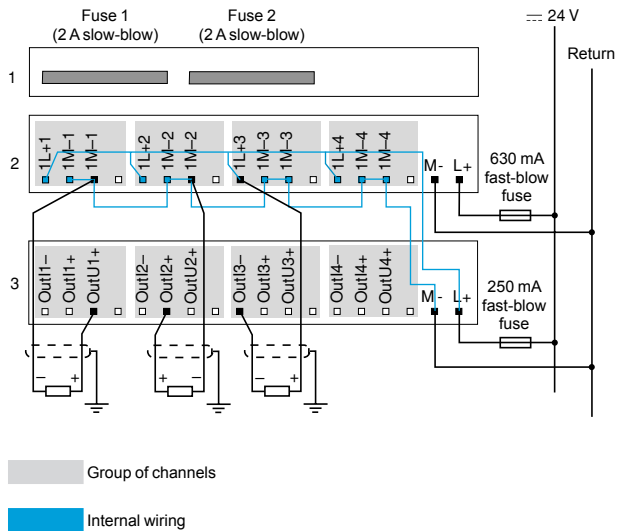
170 AAI 520 40

Example of external wiring of sensor



170 AAO 120/921 00

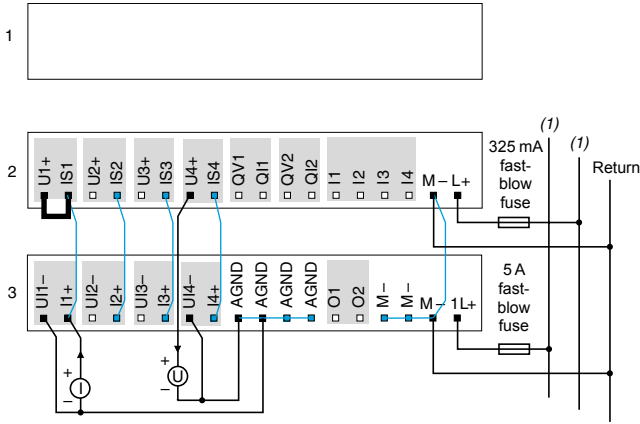
Example of external wiring of 2-wire actuator



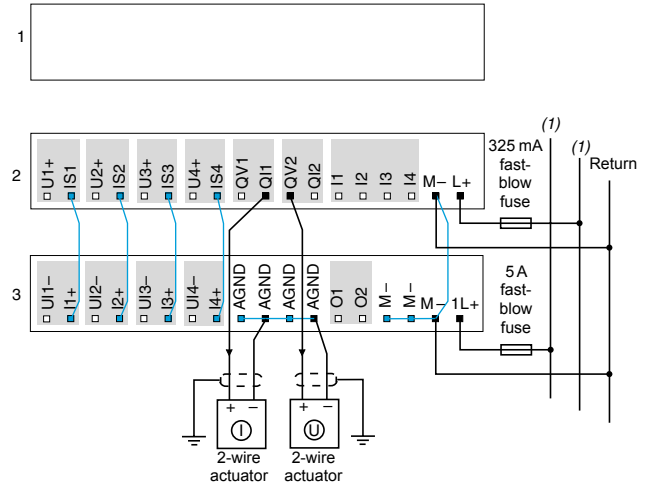
Wiring diagrams for discrete and analog bases

170 AMM 090 00/AMM 090 01

Example of external wiring of 2-wire sensor



Example of external wiring of 2-wire actuator

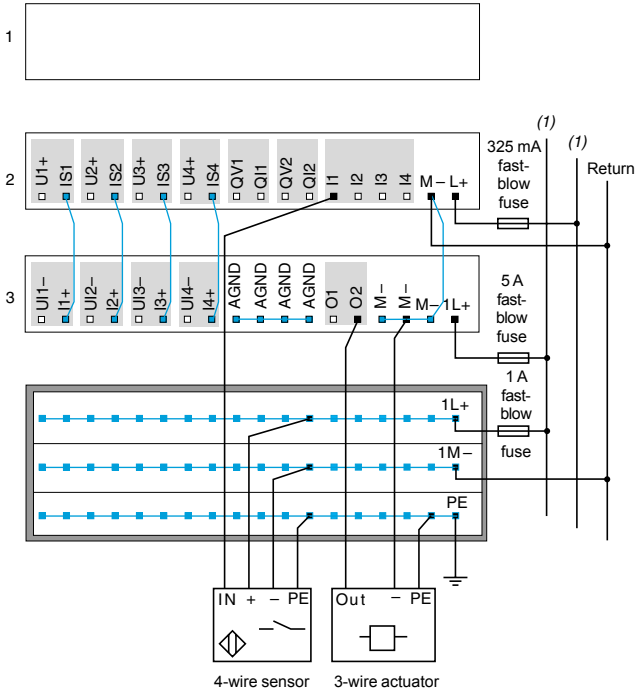


- External bridge
- Group of channels
- Internal wiring

- Group of channels
- Internal wiring

170 AMM 090 00/AMM 090 01 (continued)

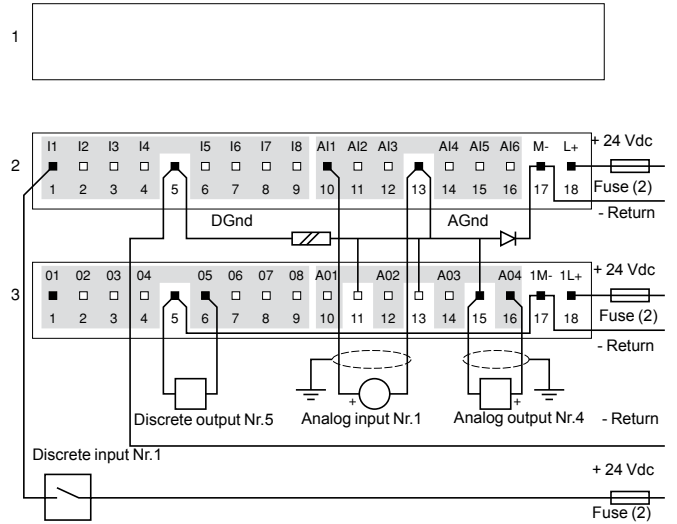
Example of external wiring of digital sensor/actuator




- Group of channels
- Internal wiring

170 ANR 120 90/91

Example of mixed discrete and analog I/O sensor/actuator field wiring



(1) ∴ 24 V for 170 AMM 090 00, ∴ 12 V for 170 AMM 090 01.
(2) Depending on application, max 5 A.

Product type		High-speed counter
		
Operating voltage		24 Vdc
Unique features		2 independent, high-speed (10 kHz-200 kHz) counters
Modularity	Input channels	6 (3 per counter) True High Inputs
	Output channels	4 (2 per counter) True High Outputs
Input specifications	Counter inputs	5 Vdc differential input, 200 kHz counter; 24 Vdc single-end input, 10 kHz counter
	Discrete inputs	6 (2 x 3) 24 Vdc inputs: - voltage range, - 3 to + 30 Vdc - response time, 3 ms Off to On or On to Off
Output specifications	Counter outputs	Two 5 Vdc differential outputs min 20 mA @ 24 Vdc
	Discrete outputs	4 (2 per counter) 24 Vdc outputs: - on current, 0.5 A per point, 1 A per counter - response time: < 0.1 ms Off to On, < 0.1 ms On to Off
Protection		
Surge	Input voltage	45 V peak for 10 ms
	Output current	5 A for 1 ms
Type of module		170 AEC 920 00
Pages		42

I/O with Modbus Master Base



120 Vac

RS 485 2- or 4-wire Modbus port

6 True High Inputs

3 True High Outputs

–

1 group of 6 inputs (120 Vac @47 to 63 Hz):
- voltage range, 0 to 132 Vac
- response time, < 12.3 ms @ 60 Hz On to Off,
 < 12.5 ms @ 60 Hz Off to On

3 solid state switching outputs (120 Vac @47 to 63 Hz):
- on current, 0.5 A continuous per point, 1.5 A continuous per module
- response time: < 12.3 ms @ 60 Hz On to Off, < 12.5 ms @ 60 Hz Off to On

170 ADM 540 80

42

Modicon™ Momentum™ automation platform

Specialty module I/O bases

Introduction

Modicon™ Momentum™ specialty module I/O bases provide support for unique applications that broaden the range of the Modicon Momentum offering. The specialty modules are: a 2-channel, High-speed counter module base - 170 AEC 920 00, and a 120 Vac, 6-point input/3-point output module base with a Modbus communication port - 170 ADM 540 80.

High-speed counter

The 170 AEC 920 00 high-speed counter module base features 2 independent counters, along with 6 discrete inputs and 4 discrete outputs. This base can connect directly to either 5 Vdc differential or 24 Vdc single-ended encoders. The base supports two operating modes:

- Incremental (up counter, down counter, and quadrature)
- Absolute (SSI up/down counter)

The high-speed counter module can be connected directly to many standard communication networks – for communicating with programmable controllers, industrial computers, and other controllers – by installing one of the snap-on Modicon Momentum communication adapters onto the base.

Input/Output module with Modbus™ communication port

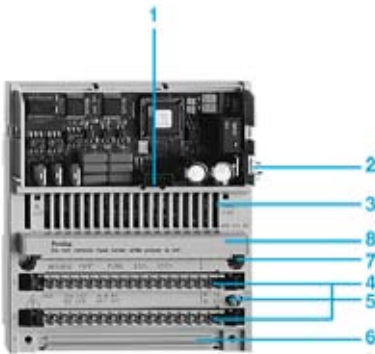
The **170 ADM 540 80** input/output module base has 6 discrete inputs and 3 discrete outputs for direct connection to 2- and 3-wire sensors and actuators, plus a Modbus communication port for connection to serial devices.

This module can also be used as the I/O base for a programmable controller, in either a stand alone or distributed I/O configuration, by installing one of the snap-on Modicon Momentum M1 processor adapters.

Description

A specialty module I/O base consists of the following components:

- 1 Internal interface connector for the communication module
- 2 Locking and ground contact for the adapter
- 3 LED status display
- 4 Two connectors for the removable terminal blocks
- 5 Grounding screw
- 6 Grounding busbar mounting slot
- 7 Mounting holes for a panel mount
- 8 Protective cover for fuses (**170 ADM 540 80**) or connector for the removable terminal block



Specifications			
Model No.		170 AEC 920 00	170 ADM 540 80
Number of I/O	Counter		2 independant
	Inputs		2 x 3 discrete
	Outputs		2 x 2 discrete
Discrete inputs	Operating voltage	V	24 DC
	Input	Range	V - 3...+ 30 DC
		Surge	V 45 peak for 10 ms
	Input current	On	mA 2.5 minimum
		Off	mA 1.2 maximum
	Switching level	V	11 DC minimum on voltage 5 DC maximum off voltage
	Response time	Off to on	ms 3
		On to off	ms 3
Signal type		True High	
Discrete outputs	Operating voltage	V	24 DC
	Signal type		True High
	On state voltage drop	V	< 0.5 DC @ 0.5 A current
	Fault sensing		Overload and short circuit
	Current capacity		A 0.5 per point
			A 1 per counter
			A 2 per module
	Current	Leakage	mA < 1 @ 24 Vdc
		Surge	mA 5 A for 1 ms
	Response time	Off to on	ms < 0.1
On to off		ms < 0.1	
Counter inputs	Incremental counters		Up counter, down counter, quadrature
	Absolute SSI counter		Up/down counter with 4 sub-modes
	Input signals	Vdc	5 differential input 24 single-ended input
	Counter speed (max)	kHz	200, differential inputs 10, single-ended inputs
	Counter capacity		24 bits plus sign per counter
	Counter configuration		Via comm adapter (8 input words, 8 output words)
	Modbus port	Type	
Communication rates		bit/s	19200 and 9600
Format			8-bit RTU / 7-bit ASCII
Modbus address range			0...247
Timeout		ms	150 after transmission
Current consumption		mA 280	125 @ 120 Vac
Agency approvals		UL, CE, CSA	

Modicon™ Momentum™ automation platform

Specialty module I/O bases

References



170 AEC 920 00



170 ADM 540 80

Modules			
Description	Specifications	Reference	Weight kg
High-speed counter Module Base	2 independent counters	170 AEC 920 00	0.210
I/O module base with Modbus™ comm port	RS 485 Modbus port 6 inputs, 3 outputs	170 ADM 540 80	0.240

Replacement parts			
Description	Use	Reference	Weight kg
Sheets of labels	10 front labels for Modicon Momentum™ modules	170 XTS 100 00	–

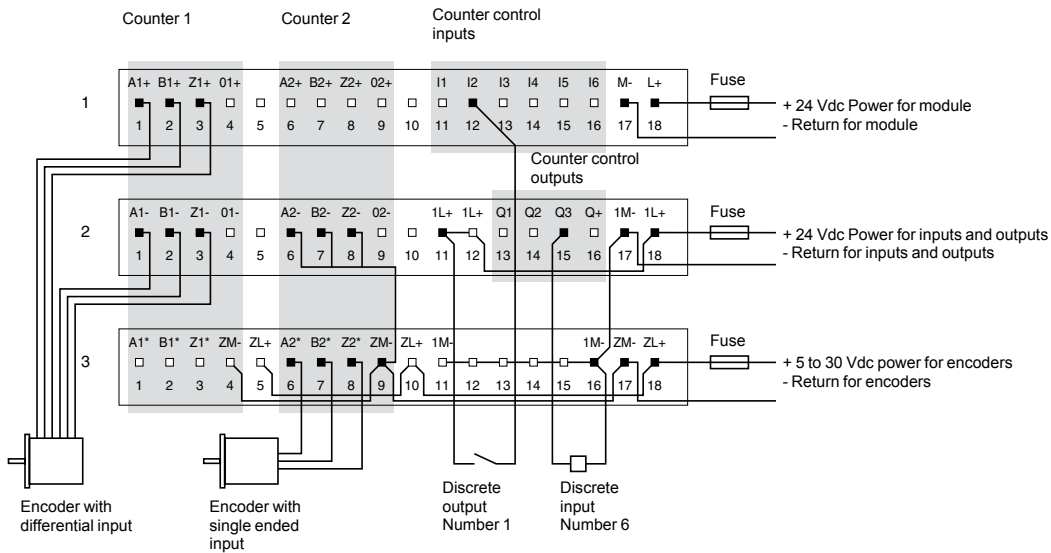
Documentation			
Description	Use	Reference	Weight kg
Modicon Momentum I/O bases	User guide for: 170 AEC 920 00	870 USE 008 00	–
	170 ADM 540 80	870 USE 002 00	–

Accessories: Terminal blocks, bus bar, cable grounding rail and discrete input simulator, see page 19.

Wiring diagrams

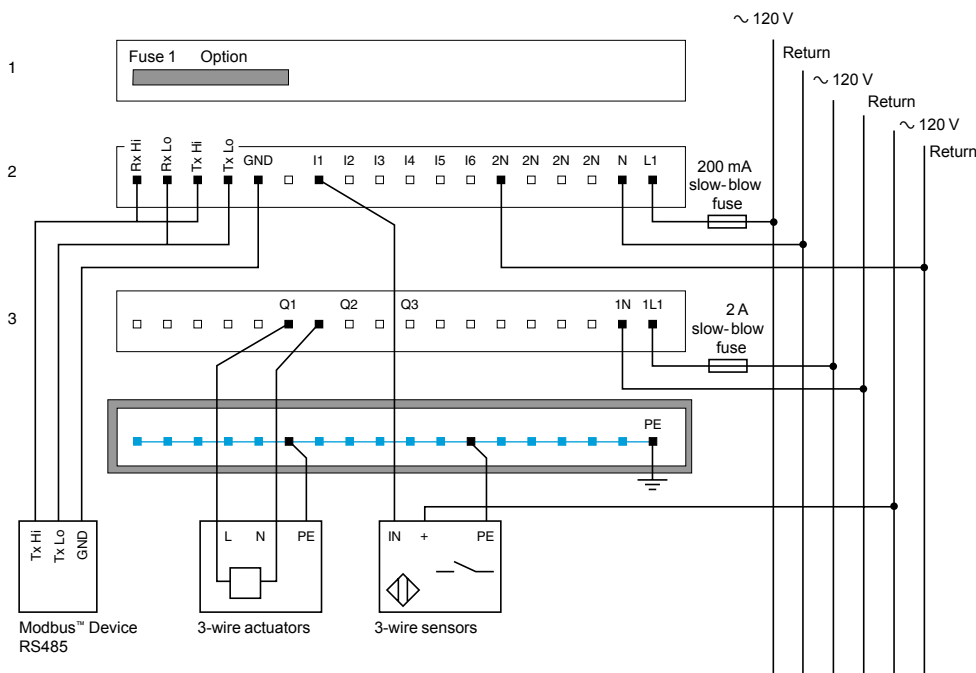
170 AEC 920 00

2-encoder and input/output field wiring example



170 ADM 540 80

Modbus device and input/output field wiring example



Modicon™ Momentum™ automation platform

Communication adapters

Applications

Communication adapters for Ethernet TCP/IP



Bus and network type

Ethernet TCP/IP
Transparent Ready Class
A10 B20

Topology

Physical interface
Method of access
Bit rate

IEEE 802.3 standard
CSMA-CD
10 Mbit/s 10/100 Mbit/s

Medium

Type
Topology
Redundancy

Twisted pair CAT5
Star
No

Maximum number of devices

64

Maximum length

1000 m per segment

Type of communicating module

170 ENT 110 02 **170 ENT 110 01**

Pages

49

Communication adapters for INTERBUS™

Communication adapter for Profibus DP™ bus



INTERBUS	INTERBUS I/O bus	Profibus DP
SUPI 3	SUPI 2	
DIN 19 258 standard		EN 50170 standard
Master/Slave		Master/Slave
500 Kbit/s		12 Mbit/s...9.6 Kbit/s depending on length
Twisted pair		Twisted pair
Ring		Multi-drop, ring
No		No
40 per installation remote bus module (up to 254 bus terminal modules)		32 without repeater 126 with repeaters
12800 m		1200 m
170 INT 110 03	170 INT 110 00	170 DNT 110 00
49		59

Applications		Communication adapters for Modbus Plus™ network		
		IEC Data Format	984 Data Format	
				
Bus and network type		Modbus Plus		
Topology	Physical interface	Modbus Plus		
	Method of access	Token bus		
	Bit rate	1 Mbit/s		
Medium	Type	Twisted pair		
	Topology	Multi-drop		
	Redundancy	No	Yes	No
Maximum number of devices	Per segment	32		
	Overwall	64 (without repeaters)		
Maximum length		5 000 m with repeaters		
Type of communicating module		170 PNT 110 20	170 PNT 160 20	170 NEF 110 21
Pages		53		

**Communication adapters for Modbus Plus™ network
984 Data Format**



**Communication adapters for FIPIO™ bus
for TSX Series 7 and April 5000**



for Modicon™ Premium™ PLCs



	FIPIO	
Modbus Plus	Fip standard	
Token bus	Bus managed by bus arbitrator	
1 Mbit/s	1 Mbit/s	
Twisted pair		
Multi-drop		
Yes	No	
32		
64 (without repeaters)		128
5 000 m with repeater		15 000 m with repeaters
170 NEF 160 21	170 FNT 110 00	170 FNT 110 01
53	55	

Modicon™ Momentum™ automation platform

Ethernet TCP/IP communication adapters

Introduction

The Model 170 ENT 110 02 and 170 ENT 110 01 Ethernet communication adapters for the Modicon™ Momentum™ I/O product line provide a direct connection to Ethernet-based networks for the entire family of Modicon Momentum I/O modules. This connectivity enables communications with a full range of Ethernet TCP/IP compatible control products that includes: programmable controllers, industrial computers, motion controllers, operator control stations, host computers, and other controls. This communication network provides a flexible, cost-effective solution for communicating factory floor information to various layers of an integrated manufacturing facility.

The 100BASE-TX Ethernet communication adapter, the **170 ENT 110 01** (and the 10BASE-T adapter, the **170 ENT 110 02**) are single adapters designed to plug on to any of the Modicon Momentum Input/Output module bases. Both are designed to conform to the requirements of the Ethernet communication network.

The Ethernet IP addressing scheme allows an unlimited number of Modicon Momentum I/O modules or wiring diagrams on the network. Using standard Ethernet hubs, routers, and bridges, the performance and distance capability of the Ethernet network can be tailored to meet the requirements of almost any control application.

The Ethernet communication adapter uses the standard Modbus™ message structure and control commands over the TCP/IP protocol. This simplifies implementation by control engineering, while providing information that can be communicated over standard network media to enterprise applications.

Since Modbus on TCP/IP over Ethernet is supported by Schneider Electric's Modicon™ Quantum™ and Premium™ controller families, Modicon Momentum I/O can be added to existing control systems where additional I/O capacity of a distributed I/O sub-network is needed.

The Ethernet communication adapter requires connection to a BOOTP server for configuring the module's IP parameters, including its own unique IP address, default gateway, and sub-net mask. These parameters are stored in the communication adapter's flash memory. Schneider Electric automation business offers BOOTP Lite Ethernet software as a free download from the Schneider Electric web site at www.schneider-electric.us.

Description

The front panel of the 170 ENT 110 0 Ethernet communication adapter features:

- 1 Ethernet RJ45 connector for 100BASE-TX interface for **170 ENT 110 01** or 10BASE-T interface for **170 ENT 110 02**
- 2 Area for Label (label shipped with I/O base)
- 3 LED Status Indicators for the **170 ENT 110 02** display include:
 - Run (green), module health
 - LAN Active (green), Ethernet network status

- LED Status Indicators for the **170 ENT 110 01** display include:
- Run (green), module health
 - 10T (green), 10 Mbit/s network activity
 - 100T (amber), 100 Mbit/s network activity
 - ST (green), Ethernet network status



Specifications		170 ENT 110 02	170 ENT 110 01
Model No		170 ENT 110 02	170 ENT 110 01
Communication network		Ethernet TCP/IP	
Media		Shielded twisted pair cable	
Communication rate	Mbit/s	10	10/100
Distance	m (ft)	100 (328) per segment	
Connectors		RJ45, 10BASE-T	RJ45, 100BASE-TX
Transparent Ready™ services	Class	A10	B20
	Standard Web server	–	“Rack Viewer” access to the product description and status and to base unit diagnostics “Data editor” access to the configuration functions and variables
Standard Ethernet TCP/IP communication services		Modbus™ Messaging (read/write data words) –	FDR client for automatic assignment of the IP address and network parameters SNMP agent, detection of the product by an SNMP manager
adapter configuration		BOOTP server to assign IP parameters	
Flash memory		128 K for IP parameter storage	
Error checking		CRC-32 error check	
Error and fail states		Fail safe	
Addressing		Unique IEEE global address, IP address user assigned	
Mode of operation		Master slave, peer-to-peer	
Topology		Multi-drop bus, star	
Packaging		Standard Modicon™ Momentum™ communications adapter enclosure - IP 20 environment	
Indicator lights		Run and activity lights	Run, 10 Mbit/s, 100 Mbit/s, and status lights
Power source		Power supply on-board the I/O base	
Hot swapping of modules		Yes	
Agency approvals		UL, CE, CSA, FM Class I, Div. II	UL, CE, CSA

References



170 ENT 110 02

Transparent Ready.

Communication adapters			
Description	Communication rate Transparent Ready Class (1)	Reference	Weight kg
Ethernet TCP/IP communication adapters	10 Mbit/s A10	170 ENT 110 02	0.070
	10/100 Mbit/s B20	170 ENT 110 01	0.070

Accessories	
ConneXium™ cabling system	See page 76
BOOTP Lite Ethernet Software	Download from www.schneider-electric.us
Ethernet TCP/IP communication adapter user guide	See page 103

(1) Transparent Ready Class A10 and B20, for more details, consult our catalog “Transparent Ready, Ethernet TCP/IP and Web technologies”

Modicon™ Momentum™ automation platform

Modbus Plus™ communication adapters

Introduction

Modbus Plus™ communication adapters for the Modicon™ Momentum™ I/O product line can be plugged into any Modicon Momentum I/O base to create a functional I/O unit on the Modbus Plus bus...and to provide a direct connection to the Modbus Plus Network for the full family of Modicon Momentum I/O modules. This connectivity enables communications with Modbus Plus compatible control products – including: programmable controllers, industrial computers, operator control stations, drive systems, and other controls – and provides a flexible, cost-effective solution for distributing I/O modules throughout a large area. To expand the capabilities of the Modbus Plus Network for distributed I/O applications, the communication adapters have been designed to permit up to 64 Modicon Momentum I/O modules to be connected to the network without the need for signal repeaters.

Each Modicon Momentum I/O module is an individual node on the Modbus Plus network with its address user-selected on the dual rotary switch on the front of the communication adapter. The Modicon Momentum I/O modules can be configured for the network, and assigned program reference numbers, by using either the Peer Cop function, the MSTR function block instruction in the programmable controller, or the Modbus Plus configuration in an industrial computer.

There are four types of communication adapters available:

170 PNT 110 20, Single Port, IEC Data Format

170 PNT 160 20, Redundant Port, IEC Data Format

170 NEF 110 21, Single Port, 984 Data Format

170 NEF 160 21, Redundant Port, 984 Data Format

IEC Data Format

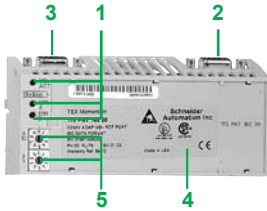
This version of the Modicon Momentum Modbus Plus communication adapter communicates I/O data to the programmable controller in the IEC data format, which has bit numbering 0 through 15, right to left, within the data word (i.e., input or output number 1 is bit number 0).

984 Data Format

This version of the Modicon Momentum Modbus Plus communication adapter communicates I/O data to the programmable controller in the traditional 984 data format, which has bit numbering 1 through 16, left to right, within the register (i.e., input or output number 1 is bit number 1).

Since Modbus Plus is supported by the Modicon™ Quantum™ and 984™ controller families, Modicon Momentum I/O can be added to existing control systems where additional I/O capacity or a distributed I/O sub-network is needed.

Description



Each 170 PNT/NEF communication module is comprised of:

- 1 Three indicator lights (LEDs):
 - MB + ACT indicator light (green) : module powered up or communicating
 - ERR A indicator light (red) : detected communication error network A
 - ERR B indicator light (red) : detected communication error network B (for redundant model)
- 2 A 9-way male SUB-D connector for connecting to the Modbus Plus™ network
- 3 A 9-way male SUB-D connector for a redundant Modbus Plus network
- 4 A slot for an identification label (supplied with I/O sub-bases)
- 5 Two switches for coding the slave address on the bus

Specifications

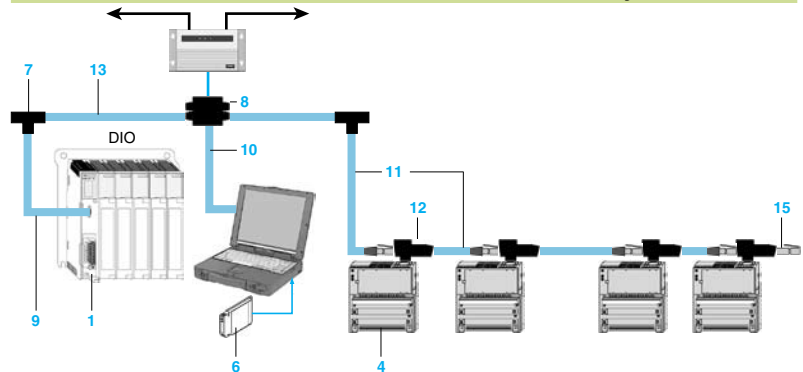
Type of module		170 PNT 110 20	170 PNT 160 20	170 NEF 110 21	170 NEF 160 21
Communication network		Modbus Plus			
Master PLC on the network		Modicon™ Quantum™, Modicon™ Premium™	Modicon Quantum	Modicon Quantum, Compact™ 984	
Structure	Type	Industrial			
	Redundancy	No	Yes	No	Yes
	Topology	Multi-drop, devices connected using extension cable or tap-off cable			
	Length	5,000 m (6000 ft) maximum with repeaters			
	Access method	Token bus			
Transmission	Bit rate	1 Mbit/s			
	Medium	Twisted pairs			
Data Format		IEC Data Format		984 Data Format	
Number of Modicon Momentum devices	Per segment	31 connection points			
	Maximum	63 connection points			
Power source		Power supply on-board the I/O base			
Behavior in the event of a detected communication error		Discrete I/O : forcing to state 0 Analog I/O : configurable (maintain value, fallback to 0 or full scale value)			
Services		Configuration : Peer cop and MSTR function block, "peer-to-peer" mode			
Agency approvals		UL, CE, CSA, FM Class I, Div. II		UL, CE, CSA	

Modicon™ Momentum™ automation platform

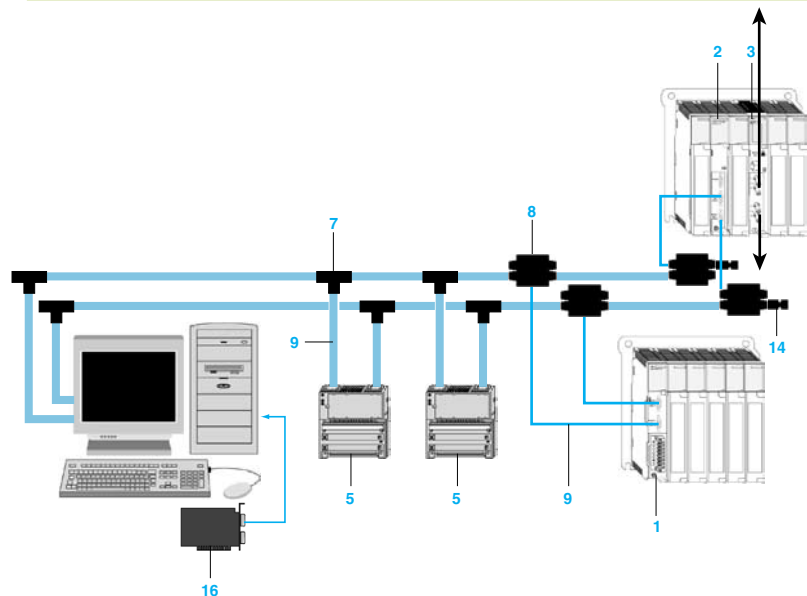
Modbus Plus™ communication adapters

Network topology

Modicon™ Momentum™ I/O modules in a distributed control system



Modicon Momentum I/O modules with Modbus Plus™ double cable in a distributed and redundant control system



- 1 140 CRA 211 10: Modicon™ Quantum™ Modbus Plus™ drop interface and power supply, single-cable support, 115/230 Vac
- 2 140 NOM 212 00: Modicon Quantum Modbus Plus head-end interface, redundant support, twisted pair cable
- 3 140 NOM 252 00: Modicon Quantum Modbus Plus Head-end Interface, single-cable support, fiber optic cable
- 4 170 PNT 110 20 or 170 NEF 110 21: Modicon Momentum Modbus Plus communication adapter, non-redundant network
- 5 170 PNT 160 20 or 170 NEF 160 21: Modicon Momentum Modbus Plus communication adapter, redundant network
- 6 416 NHM 212 33: Modbus Plus type III PCMCIA Card, single port ; or 416 NHM 212 34: Modbus Plus type III PCMCIA Card, single port, "plug and play"
- 7 990 NAD 230 00: Modbus Plus tap, IP 20
- 8 990 NAD 230 10: Modbus Plus tap, IP 65
- 9 990 NAD 211 10/30: Modbus Plus drop cable (lengths: 2 or 4 or 6 m)
- 10 990 NAD 215 10: Modbus Plus ruggedized tap programming Cable, 3.05 m
- 11 170 MCI 020/021●●: Modbus Plus RJ45 cable (lengths: 0.25 , 1 , 3 or 10 m)
- 12 170 XTS 020 00: Modbus Plus "T" connector (DB9 base)
- 13 490 NAA 271 0●: Standard Modbus cable (lengths: 30, 150, 300, 450 or 1500 m)
- 14 990 NAD 230 11: Modbus Plus ruggedized tap terminators
- 15 170 XTS 021 00: Modbus Plus RJ45 terminator
- 16 416 NHM 300 32: Modbus Plus PCI PC adapter Card, dual ports

Modicon™ Momentum™ automation platform

Modbus Plus™ communication adapters



170 PNT 110 20/NEF 110 21



170 PNT 160 20/NEF 160 21



AS MBKT 085

References

Description	Connection	Item (1)	Bus master PLC	Reference	Weight kg
Communication adapters for Modicon™ Momentum™ I/O sub-bases	Non-redundant Modbus Plus™ network	4	Modicon Premium, Modicon Quantum	170 PNT 110 20	–
			Compact 984	170 NEF 110 21	–
	Redundant Modbus Plus network	5	Modicon Quantum	170 PNT 160 20	–
			Compact 984	170 NEF 160 21	–

Description	Use	Mounting on	Item (1)	Reference	Weight kg
Modbus Plus taps	IP 20 junction box for tap-off connection “T”	–	7	990 NAD 230 00	0.230
	IP 20 junction box for tap-off connection “T”, connection of cable on screw terminal block with one RJ45 connector in front	DIN profile	–	990 NAD 230 20	–
	Modbus Plus Tap (IP 20), standard Modbus cable with one RJ45 connector in front	Panel	–	990 NAD 230 21	–
	Modbus Plus Tap (IP 20), standard Modbus cable with one RJ45 connector in front	Panel	8	990 NAD 230 10	0.650
Terminator connector kit (set of 2)	IP 20 “T” with 2 RJ45 connectors for Modbus cable and one 9-way SUB-D connector for tap link devices	–	12	170 XTS 020 00	0.260
	2 impedance adaptors for box (IP 20) 990 NAD 230 20/21	–	1	990 NAD 230 22	–
	2 impedance adaptors for box (IP 20) 990 NAD 230 10	–	14	990 NAD 230 11	–
	2 impedance adaptors for tee (IP 20) 170 XTS 020 00	–	15	170 XTS 021 00	–

Connection cables

Description	Use		Item (1)	Length	Reference	Weight kg
	From	To				
Standard Modbus Plus cables	T-junction box 990 NAD 230 00, 990 NAD 230 11	T-junction box 990 NAD 230 00, 990 NAD 230 11	13	30 m	490 NAA 271 01	–
				150 m	490 NAA 271 02	–
				300 m	490 NAA 271 03	–
				450 m	490 NAA 271 04	–
				1500 m	490 NAA 271 06	–
Modbus Plus cable for RJ45	“T” 170 XTS 020 00	“T” 170 XTS 020 00	11	0.25 m	170 MCI 021 10	–
				1 m	170 MCI 021 36	–
				3 m	170 MCI 021 20	–
				10 m	170 MCI 021 80	–
Modbus Plus Drop cables	Communication modules for Modicon™ Momentum I/O sub-bases 170 PNT/NEF	T-junction box 990 NAD 230 00/10	9	2.4 m	990 NAD 211 10	–
				6 m	990 NAD 211 30	–
Modbus Plus Drop Cable	Flying leads	Left side		2.4 m	990 NAD 218 10	–
				6 m	990 NAD 218 30	–
	Right side	2.4 m		990 NAD 219 10	–	
		6 m		990 NAD 219 30	–	

Connecting accessories

Description	Use for	Reference	Weight kg
RJ45 Crimp tool	Crimping the RJ connectors	490 NAB 000 10	–
9-way female SUB-D connector	Communication module connection	AS MBKT 085	–
Wiring tool	Fitting trunk cables and drop cables in local site tap	043 509 383	–
Other connection accessories		See page 75	

(1) Item, see page 52.

Modicon™ Momentum™ automation platform

FIPIO™ communication adapters

Introduction

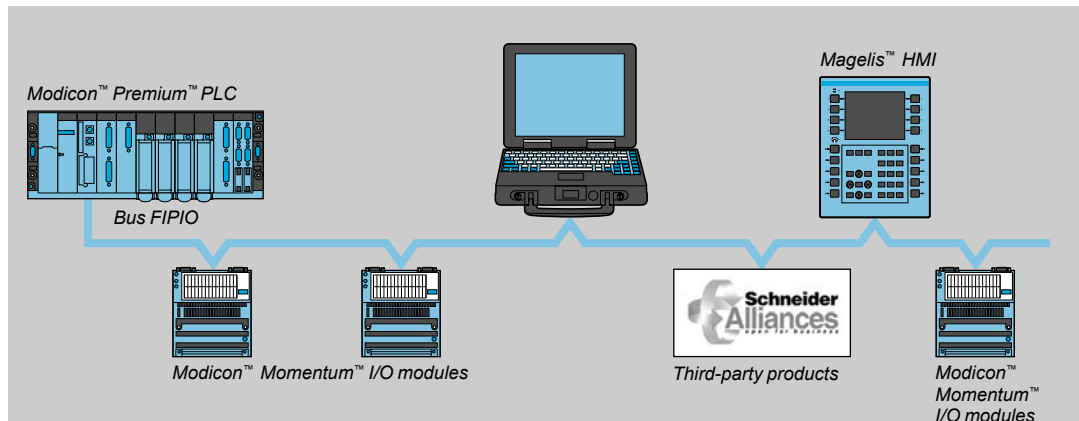
The FIPIO™ communication adapter can be plugged into a Modicon™ Momentum™ I/O base to create a functional I/O unit on the FIPIO bus, and to provide a direct connection to the FIPIO Network for the full family of Modicon Momentum I/O modules. This connectivity enables the Modicon Momentum I/O to be used along with other FIPIO compatible control devices, including: industrial computers, operator control stations, drive systems, and other controls – to provide a flexible, time-critical, cost-effective solution for distributing I/O modules throughout a large area.

There are two types of communication adapters available:

170 FNT 110 01 (1) for a FIPIO bus connected to a Modicon™ Premium™ PLC
170 FNT 110 00 for a FIPIO bus connected to TSX 7 series CPUs or APRIL 5030 and 5130 CPUs

Each Modicon Momentum I/O module is an individual node or device on the FIPIO network with its address set by the user on the dual rotary switch on the front of the communication adapter. FIPIO is a network that can have up to 128 slave devices. The FIPIO network's distance and communication capabilities range from 1000 meters (3330 ft.) to 15000 meters (45000 ft) with repeaters over twisted pair cable at a data rate of 1 Mbit/s.

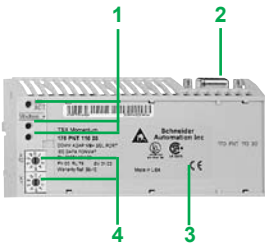
(1) The FIPIO communication adapter 170 FNT 110 01 does not support the 170 ADM 540 80 I/O base.



Description

The 170 FNT 110 0p communication module features the following:

- 1 Three indicator lights (LEDs):
 - Ready indicator light (green): module powered up or in service
 - COM indicator light (yellow): data being sent or received
 - ERR indicator light (red): inoperative device
- 2 9-way male SUB-D connector for connecting to FIPIO bus
- 3 Slot for identification label (supplied with I/O sub-bases)
- 4 Two switches for coding slave address on the bus



Specifications		170 FNT 110 01	170 FNT 110 00
Type of module			
Communication bus		FIPIO™	
Bus manager PLC		Premium	TSX Series 7, model 40 or April 5000
Structure	Type	Open industrial, conforming to the WorldFip standard	
	Topology	Devices connected using extension cable or tap-off cable	
	Length meters	1,000 to 5,000 depending on the medium used	
	Access method	Producer/consumer principle, managed by a bus arbiter	
Transmission	Bit rate	1 Mbit/s	
	Media	Shielded twisted pair cable 150 Ω. Fiber optic 62.5/125 or 50/125 with electrical/optical repeaters	
Number of Modicon™ Momentum™ devices	Per segment	31 connection points (without repeater)	
	Maximum	97 connection points	61 connection points
Behavior in the event of a detected communication error		Discrete I/O: forcing to state 0	
		Analog I/O: configurable (maintain value, fallback to 0 or full scale value)	
		Other specifications, consult our catalog Premium automation platform	
Agency approvals		UL, CE, CSA	

References



170 FNT 110 01/00



TSX FP ACC 12



TSX FP ACC 14



TSX FP ACC 4

Description	Connection	Bus manager PLC	Reference	Weight kg
Communication adapters for Modicon Momentum I/O sub-bases	FIPIO fieldbus on Modicon Momentum I/O sub-bases	Modicon Premium	170 FNT 110 01 (1)	0.110
		TSX Series 7, Model 40, April 5000	170 FNT 110 00	0.110
Description	Connection	Material	Reference	Weight kg
Female connectors (9-way SUB-D)	On 170 FNT 110 01 communication module	Black polycarbonate IP 20	TSX FP ACC 12	0.040
		Zamac	TSX FP ACC 2	0.080
Bus connection boxes	Main tap-off cable	Black polycarbonate IP 20	TSX FP ACC 14	0.120
		Zamac IP 65	TSX FP ACC 4	0.660
Description	Composition	Length	Reference	Weight kg
Tap-link cables	8 mm, 2 shielded twisted pair 150 Ω	100 m	TSX FP CC 100	5.680
		200 m	TSX FP CC 200	10.920
		500 m	TSX FP CC 500	30.000
Other connection accessories	–	–	Consult our catalog "Premium automation platform"	–
FIPIO Communication adapter User Guide	–	–	See page 102	–

(1) Does not support the 170 ADM 540 80 I/O base.

Modicon™ Momentum™ automation platform

INTERBUS™ communication adapters

Introduction

The INTERBUS™ communication adapter for the Modicon™ Momentum™ I/O product line provides a direct connection to the INTERBUS Network for the full family of Modicon Momentum I/O modules. This connectivity enables Modicon Momentum I/O to be used in open architecture control systems that utilize either a programmable controller or industrial computer as the network master. In these applications, INTERBUS serves as the communication network that connects Modicon Momentum I/O modules, along with other INTERBUS compatible control devices, for the communication of input and output information with a single master controller.

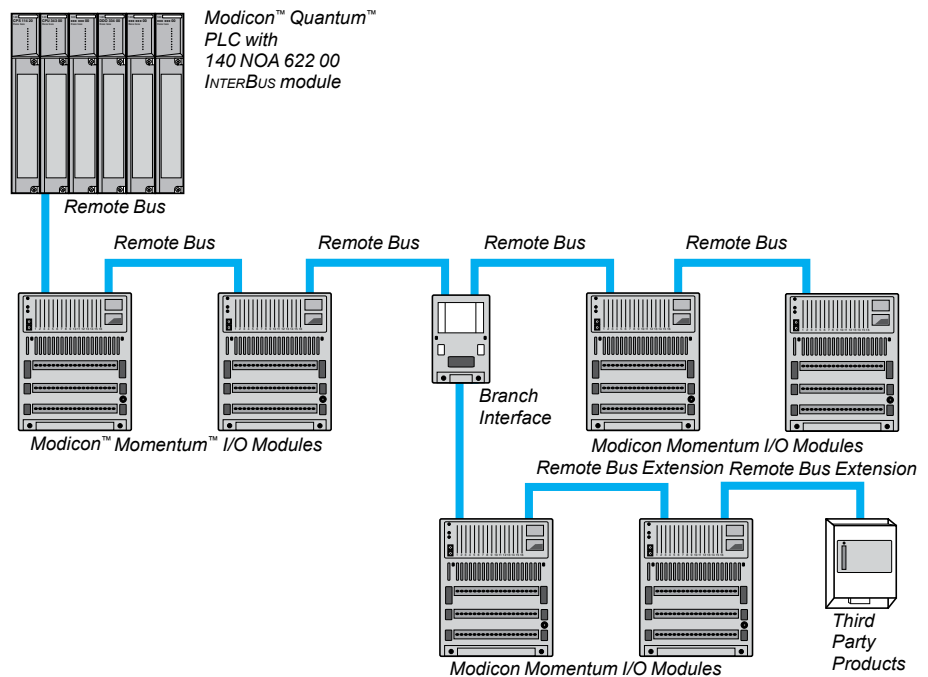
There are two types of INTERBUS adapters available:

170 INT 110 00, twisted pair media, SUPI 2

170 INT 110 03, twisted pair media, SUPI 3, supports G4 diagnostic

The INTERBUS communication adapter is designed to plug on to any of the Modicon Momentum Input/Output module bases, thus allowing the I/O module to be accessed over the INTERBUS Communication Network. Each Modicon Momentum I/O module is an individual node or device on the INTERBUS network with its address set either by its physical location on the network, or by menu-driven software that is available with some INTERBUS master devices. INTERBUS is a cost-effective method of distributing I/O modules throughout large plant areas. The figure below illustrates a typical control system using Modicon Momentum I/O modules on the INTERBUS network, with a Quantum PLC programmable controller as the network master.

Network Topology



Description

The **170 INT 110 0●** INTERBUS communication adapters feature the following on the front panel:

- 1 Two 9-Pin SUB-D connectors for connection to the INTERBUS bus
- 2 Area for Label (label shipped with I/O base)
- 3 LED Status Indicators for **170 INT 110 0●** include:
 - UL (green), logic power check (**170 INT 110 03** only)
 - BA (green), bus enabled
 - RC (green), remote bus check
 - RD (yellow), remote bus disabled

Specifications		
Model No.	170 INT 110 00	170 INT 110 03
Communication network	INTERBUS™, I/O BUS	INTERBUS
Communication rate	Kbit/s	500
Number of nodes (devices)		Up to 254 devices
Media		Twisted Pair
Distance	m (ft)	Up to 12 800 (41 984 ft), 400 (1312 ft) between two nodes
Connectors		2-9 Pin "D" connectors
Error checking		CRC-16 error check
Error and fail states		Fail safe
Addressing		Physical location or software
Mode of operation		Master-Slave, continuous shift register
Topology		Ring
INTERBUS generation	SUPI 2	SUPI 3
Packaging		Standard Modicon™ Momentum™ communication adapter enclosure - IP 20 environment
Indicator lights		Diagnostic and status light standard
Power source		Power supply on board the I/O base
Agency approvals		UL, CE, CSA, FM Class I, Div. II

References



170 INT 110 00/110 03

Modules				
Description	Media	Generation	Reference	Weight kg
INTERBUS communication adapters	Twisted Pair	SUPI 2	170 INT 110 00	0.070
		SUPI 3	170 INT 110 03	0.070
Accessories				
Description	Length	Reference	Weight kg	
Branch Interface, Twisted Pair, SUP1 3	–	170 BNO 671 01	–	–
INTERBUS Connector Kit, sockets/pins, 9-pin with male and female connectors for remote bus cable	–	170 XTS 009 00	–	–
INTERBUS Cable (with small connectors)	11 cm (0.36 ft)	170 MCI 007 00	–	–
INTERBUS Cable low-profile connector	100 cm (3.3 ft)	170 MCI 100 01	–	–
INTERBUS cables	100 m (330 ft)	TSX IBS CA 100	–	–
	400 m (1312 ft)	TSX IBS CA 400	–	–
	By the meter	KAB 3225 LI	–	–
Modicon Momentum front label replacement (set of 10)	–	170 XCP 100 00	–	–
INTERBUS User Guide	–	See page 103	–	–

Modicon™ Momentum™ automation platform

Profibus DP™ communication adapters

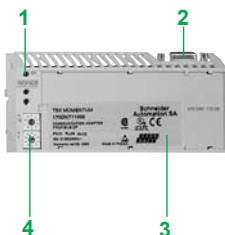
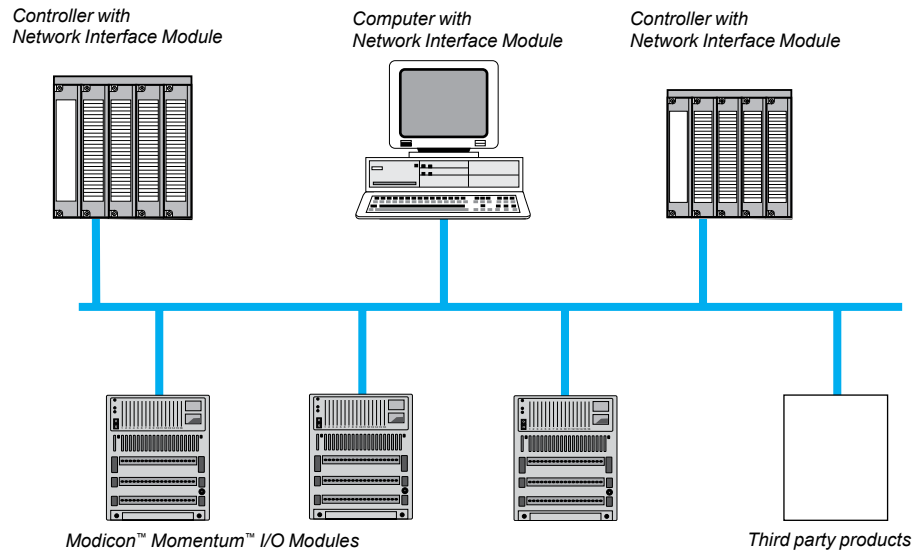
Introduction

The Model 170 DNT 110 00 Profibus DP™ communication adapter for the Modicon™ Momentum™ I/O product line provides a direct connection to the Profibus DP Communication Network for the full family of Modicon Momentum I/O modules. This connectivity enables the Modicon Momentum I/O to be used in open architecture control systems with other Profibus DP compatible control products, including: programmable controllers, industrial computers, operator control stations, drive systems, and other controls – to provide a flexible, cost-effective solution for distributing I/O modules throughout a large area.

The Profibus DP communication adapter is a single package that is designed to plug on to any of the Modicon Momentum Input/Output modules base, thus allowing the I/O module full access to the Profibus DP Communication Network. Each Modicon Momentum I/O module is an individual node on the network, with its address user-selected on the dual rotary switch on the front of the communication adapter. The figure below illustrates a typical control system using Modicon Momentum I/O modules on the Profibus DP network with programmable controllers and industrial computer systems.

The Profibus Configuration File is required for the configuration of the Modicon Momentum I/O Modules on the Profibus DP network. This file contain the Profibus PNO “Identnumber” for Modicon Momentum I/O modules, and is available at no charge to users as a download over the Internet from the Schneider Electric web page.

Network Topology



Description

The front panel of the 170 DNT 110 00 Profibus DP Communication adapter is comprised of:

- 1 LED Status Indicators comprising: BF (green), detected bus fault
- 2 A 9-Pin SUB-D connector for connection to the Profibus DP Network
- 3 Area for Label (label shipped with I/O base)
- 4 Rotary switches for slave addresses

Specifications	
Model No.	170 DNT 110 00
Communication bus	Profibus DP™
Communication rate	9.6 Kbit/s...12 Mbit/s
Number of nodes (devices)	Up to 126 devices (32 without repeater)
Media	Twisted Pair
Distance	m (ft) Up to 1 200 (4 000)
Connectors	9 Pin "D" connectors
Error checking	CRC-16 error check
Error and fail states	Fail safe
Addressing	Switch selectable
Mode of operation	Master-Slave
Topology	Multi-Drop, Ring
Packaging	Standard Modicon™ Momentum™ communications adapter enclosure - IP20 environment
Indicator lights	Diagnostic and status light standard
Power source	Power supply on-board the I/O base
Agency approvals	UL, CE, CSA

References



170 DNT 110 00

Module			
Description	Reference	Weight	kg
Profibus DP Communication adapter	170 DNT 110 00	0.070	

Accessories			
Description	Length	Reference	Weight
			kg
Device Master File	–	(1)	–
Profibus DP cable	100 m (328 ft)	TSX PBS CA 100	–
	400 m (1312 ft)	TSX PBS CA 400	–
	By the meter	KAB PROFIB	–
Profibus DP connector with Terminator	–	490 NAD 911 03	–
Profibus DP in-Line Connector	–	490 NAD 911 04	–
Profibus DP connector with Programming Port	–	490 NAD 911 05	–
Modicon Momentum front label replacement (set of 10)	–	170 XTS 100 00	–
Profibus DP User Guide		See page 103	–

(1) The Profibus device Master File (381 SWA 000 00) is supplied with the User Guide 870 USE 004 0●, or can be downloaded from the Schneider Electric website at www.schneider-electric.us.

Modicon™ Momentum™ automation platform

M1/M1E processor adapters

Type	M1 processor adapters			
				
RAM memory	64 Kbit		256 Kbit	
Flash memory	256 Kbit			
984 LL program memory	2.4 Kbit		12 Kbit	
IEC program memory	–		160 Kbit	
Data memory	2 Kbit		4 Kbit	
Scan time	1 ms/K	0.63 ms/K	1 ms/K	0.63 ms/K
Clock speed	20 MHz	32 MHz	20 MHz	32 MHz
I/O points	2048		4096	
I/O drops	Up to 2048 I/O points with Modbus Plus option adapter		80 with ProWORX™ 128 with Concept™	
Power source	Power supply on-board the I/O bases			
Communication ports	1 RS 232 Modbus		1 RS 232 Modbus 1 RS 485 Modbus	1 RS 232 Modbus 1 I/O bus
IEC executive				Compatible
Type of module	171 CCS 700 00	171 CCS 700 10	171 CCS 780 00	171 CCS 760 00
Pages	68			

M1 processor adapters

M1E processor adapters



Transparent Ready



Transparent Ready

512 Kbit

544 Kbit

512 Kbit

512 Kbit

1 Mbit

512 Kbit

1 Mbit

18 Kbit

240 Kbit

–

200 Kbit

–

200 Kbit

24 Kbit

1 ms/K

0.3 ms/K

32 MHz

50 MHz

8192

Up to 2048 I/O points with Modbus Plus™ option adapter

80 with ProWORX™
128 with Concept™

Up to 2048 I/O points with Modbus Plus option adapter

80 with ProWORX
128 with Concept

Power supply on-board the I/O bases

1 RS 232 Modbus
1 RS 485 Modbus

1 RS 232 Modbus
1 I/O bus

1 Ethernet (Transparent Ready™ class B10)
1 RS 485 Modbus

1 Ethernet (Transparent Ready class B10)
1 I/O bus

Compatible

–

Supplied

–

Supplied

171 CCC 780 10

171 CCC 760 10

171 CCC 980 20

171 CCC 980 30

171 CCC 960 20

171 CCC 960 30

68

Modicon™ Momentum™ automation platform

M1/M1E processor adapters

Introduction

Modicon™ Momentum™ M1/M1E processor adapters are based on the Modicon 984 family of products. You can mount these adapters on Modicon Momentum I/O Bases to provide intelligence to the I/O. The processor adapter can quickly and independently solve logic, control its own local I/O (discrete or analog), and communicate to other control entities through one of a number of Modicon Momentum communication options. The processor adapter can turn an ordinary I/O Base into a PID controller or high-speed logic solver.

You can create your own controller from a number of different bases, and with other Modicon Momentum options, network your local logic solvers together into an intelligent subsystem as part of a larger Modicon application, or into a stand alone, integrally networked system with local controllers with extended I/O.

Modicon Momentum M1/M1E processor adapters can stand alone, or be mounted on a single Modicon Momentum I/O Base (with its own extended Modicon Momentum I/O connected to the I/O Bus Port on **171 CCS 760 00** processor adapter). It can also be mounted together with one of a variety of Modicon Momentum Option adapters – providing different network capabilities, a time-of-day clock, and a battery back-up system. The built-in flash memory is used to store the executive, allowing for convenient field upgrades of the operating system. The flash memory can also be used to back up your applications, creating a local copy of your program to be loaded back into RAM, thus providing original program file integrity. On the **171 CCS 780 00** processor adapter, the RS 485 port can be used to connect to dedicated devices such as an operator interface panel or a marquee, or used in a master/slave RS 485 network to connect to multiple devices.

The processor adapters can be programmed with Modsoft™ version 2.5 or greater, Concept™ version 2.1 or greater, ProWORX™ NxT version 2.0 or greater or ProWORX 32.

The following table describes the specifications of the Modicon Momentum M1/M1E processor adapters.

Specifications

Processor adapter	RAM Memory	Flash Memory	Scan Time	Modbus Port	I/O Bus Port	IEC Executive
171 CCS 700 00	64 K	256 K	1 ms/K	1 x RS 232C	–	–
171 CCS 700 10	64 K	256 K	0.63 ms/K	1 x RS 232C	–	–
171 CCS 760 00	256 K	256 K	0.63 ms/K	1 x RS 232C	1 x I/O Bus	Compatible
171 CCS 780 00	64 K	256 K	1 ms/K	1 x RS 232C 1 x RS 485	–	–
171 CCC 760 10	512 K	512 K	1 ms/K	1 x RS 232C	1 x I/O Bus	Compatible
171 CCC 780 10	512 K	512 K	1 ms/K	1 x RS 232C 1 x RS 485	–	Compatible
171 CCC 960 20	544 K	512 K	.3 ms/K	1 x Ethernet	1 x I/O Bus	–
171 CCC 960 30	544 K	1 Mb	.3 ms/K	1 x Ethernet	1 x I/O Bus	Supplied
171 CCC 980 20	544 K	512 K	.3 ms/K	1 x RS 485 1 x Ethernet	–	–
171 CCC 980 30	544 K	1 Mb	.3 ms/K	1 x RS 485 1 x Ethernet	–	Supplied

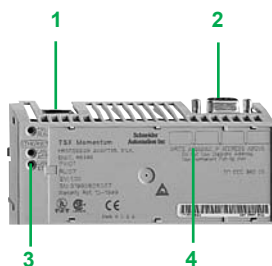
Programming Software for Modicon Momentum

Modicon Momentum processor adapters have a number of PC programming software options available. You can program your processor adapter via the Modbus RS 232 serial port, or with an M1E processor via Ethernet network. If using a Modbus Plus Option adapter in conjunction with a Processor adapter, you can program via an SA85 card installed in a PC and connected to the same Modbus Plus network.

For more specific information, see the appropriate Modicon Momentum, ProWORX or Concept programming software literature and documentation.

Modicon™ Momentum™ automation platform

M1/M1E processor adapters



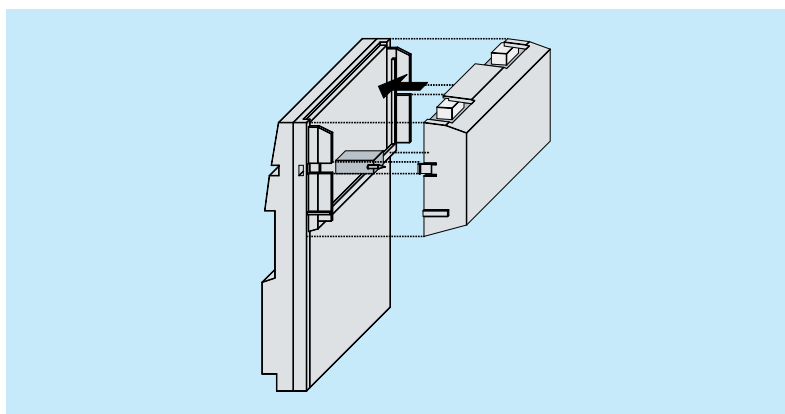
Description

A typical Modicon™ Momentum™ M1/M1E Processor adapter consists of the following components:

- 1 Modbus™ or Ethernet Port connector
- 2 Optional second port (Modbus or I/O bus)
- 3 LED indicators
- 4 Fill-in Label

Mounting

A typical system, showing a model **171 CCS 760 00** Modicon Momentum M1 processor adapter mounted on top of a Modicon Momentum I/O Base. The processor adapter controls the I/O it is mounted on, the local I/O, and can control externally configured I/O. You can also use a Modbus Plus™ Option adapter with the processor adapter to extend the system's I/O capacity.



Modicon™ Momentum™ automation platform

M1/M1E processor adapters

Environment						
Type of processor			171 CCS 700 00	171 CCS 700 10	171 CCS 780 00	171 CCS 760 00
Temperature	Operating	°C	0...60			
	Storage	°C	- 40...85			
Relative humidity			5...96% (non-condensing)			
Altitude		m	2000 (6,500 ft.)			
Mechanical withstand (immunity)	To vibrations		57...150 Hz @ 1 gn 10...57 Hz @ 0.075 mm d.a			
	To shocks		± 15 gn peak, 11 ms, half sine wave			
Designed to meet			UL, CE, CUL, FM Class 1 Div. 2, NEMA 250 Type 1, and IP 20 conforming to IEC 529			
Specifications						
Central processing unit (CPU)			x 86 based			
Word length		bit	16			
Material			Lexan			
Voltage		Vdc	5.0 V (supplied by I/O Base)			
Voltage tolerance			± 5% (as supplied by I/O Base)			
RFI immunity/EMI susceptibility/Electrostatic discharge			Meets CE mark for open equipment. Open equipment should be installed in an industry standard enclosure, with access restricted to qualified service personnel			
Di-electric strength			RS 232 is non-isolated from logic common			
Indicator lights			Run and communication actived			
Power source			Power supply on-board the Modicon™ Momentum™ I/O Base			
Clock speed		MHz	20	32	20	32
Scan time		ms/K	1	0.63	1	0.63
Communication ports	1		Dedicated RS 232C Modbus™			
	2		N/A		Dedicated RS 485 Modbus	I/O Bus (derivative of INTERBUS™)
Capacity	984 LL program memory	K	2.4			
	IEC program memory	K	-			
	Data memory	K	2			
	Discrete I/O		2048 In/2048 Out (A total of 2048 words can be configured for discrete analog I/O, any mix up to the stated limits.)			2048 In/2048 Out
	Register I/O		2048 In/2048 Out (A total of 2048 words can be configured for discrete and analog I/O, any mix up to the stated limits.)			4096 words total
	I/O limit		-		- I/O local on Modbus - I/O can be extended using a Modbus Plus option adapter and Peer Cop (2048 In/Out)	8192 bits max. : - 4096 In/4096 Out on I/O Bus - I/O can be extended using a Modbus Plus option adapter and Peer Cop (2048 In/Out)
I/O bus addressing			-			80 I/O drops with ProWORX™ 128 I/O drops with Concept™

Modicon™ Momentum™ automation platform

M1/M1E processor adapters

Environment			
Type of processor		171 CCC 760 10	171 CCC 780 10
Temperature	Operating	°C	0...60
	Storage	°C	-40...85
Relative humidity			5...96% (non-condensing)
Altitude		m	2000 (6,500 ft.)
Mechanical withstand (immunity)	To vibrations		57...150 Hz @ 1 gn 10...57 Hz @ 0.075 mm d.a
	To shocks		± 15 gn peak, 11 ms, half sine wave
Designed to meet			UL, CE, CUL, FM Class 1 Div. 2, NEMA 250 Type 1, and IP 20 conforming to IEC 529
Specifications			
Central processing unit (CPU)			x 86 based
Word length		bit	16
Material			Lexan
Voltage		Vdc	5.0 V (supplied by I/O Base)
Voltage tolerance			± 5% (as supplied by I/O Base)
RFI immunity/EMI susceptibility/Electrostatic discharge			Meets CE mark for open equipment. Open equipment should be installed in an industry standard enclosure, with access restricted to qualified service personnel
Di-electric strength			RS 232 is non-isolated from logic common
Indicator lights			Run and communication actived
Power source			Power supply on-board the Modicon™ Momentum™ I/O Base
Clock speed		MHz	32
Scan time		ms/K	1
Communication ports	1		Dedicated RS 232C Modbus
	2		I/O Bus (derivative of INTERBUS) Dedicated RS 485 Modbus
Capacity	984 LL program memory	K	18
	IEC program memory	K	240
	Data memory	K	24
	Discrete I/O		8192 In/8192 Out (A total of 8192 bits can be configured for discrete and analog I/O, any mix up to the stated limits)
	Register I/O		26048 In/26048 Out (A total of 26048 words can be configured for discrete and analog I/O, any mix up to the stated limits)
I/O limit			8192 bits max. : - 4096 In/4096 Out on I/O Bus - I/O can be extended using a Modbus Plus™ option adapter and Peer Cop (2048 In/Out) - I/O local on Modbus™ - I/O can be extended using a Modbus Plus option adapter and Peer Cop (2048 In/Out)
I/O bus addressing			80 I/O drops with ProWORX™ , 128 I/O drops with Concept™ -

Modicon™ Momentum™ automation platform

M1/M1E processor adapters

Environment			
Type of processor		171 CCC 960 20	171 CCC 980 20
Temperature	Operating	°C	0...60
	Storage	°C	- 40...85
Relative humidity			5...96% (non-condensing)
Altitude		m	2000 (6,500 ft.)
Mechanical withstand (immunity)	To vibrations		57...150 Hz @ 1 gn 10...57 Hz @ 0.075 mm d.a
	To shocks		± 15 gn peak, 11 ms, half sine wave
Designed to meet			UL, CE, CUL, FM Class 1 Div. 2, NEMA 250 Type 1, and IP 20 conforming to IEC 529
Specifications			
Central processing unit (CPU)			x 86 based
Word length		bit	16
Material			Lexan
Voltage		Vdc	5.0 V (supplied by I/O Base)
Voltage tolerance			± 5% (as supplied by I/O Base)
RFI immunity/EMI susceptibility/Electrostatic discharge			Meets CE mark for open equipment. Open equipment should be installed in an industry standard enclosure, with access restricted to qualified service personnel
Di-electric strength			Comm port is non-isolated from logic common
Indicator lights			Processor adapter operating (RUN), Ethernet network status (LAN Act) and Ethernet network activity (LAN STS)
Power source			Power supply on-board the Modicon™ Momentum™ I/O Base
Flash memory		K	512
Clock speed		MHz	50
Scan time		ms/K	3
Communication ports	1		Ethernet
	2		I/O Bus (derivative of INTERBUS) Dedicated RS 485 Modbus
Capacity	984 LL program memory	K	18
	IEC program memory	K	–
	Data memory	K	24
	Discrete I/O		8192 In/8192 Out (A total of 8192 bits can be configured for discrete and analog I/O, any mix up to the stated limits)
	Register I/O		26048 In/26048 Out (A total of 26048 words can be configured for discrete and analog I/O, any mix up to the stated limits)
	I/O limit		8192 bits max. : - 4096 In/4096 Out on I/O Bus - I/O can be extended using a Modbus Plus™ option adapter and Peer Cop (2048 In/Out) - I/O local on Modbus™ - I/O can be extended using a Modbus Plus option adapter and Peer Cop (2048 In/Out)
Transparent Ready services	Class		B10
	Web services		“Rack Viewer” access to the product description and status, and to the island diagnostics “Data editor” access to the configuration functions and variables “Web page loader” software tool for loading user Web pages
	Ethernet TCP/IP communication management services		Modbus Messaging (read/write data words) I/O Scanning
I/O bus addressing			80 I/O drops with ProWORX™, 128 I/O drops with Concept –

Modicon™ Momentum™ automation platform

M1/M1E processor adapters

Environment			
Type of processor		171 CCC 960 30	171 CCC 980 30
Temperature	Operating	°C	0...60
	Storage	°C	-40...85
Relative humidity			5...96% (non-condensing)
Altitude		m	2000 (6,500 ft.)
Mechanical withstand (immunity)	To vibrations		57...150 Hz @ 1 gn 10...57 Hz @ 0.075 mm d.a
	To shocks		± 15 gn peak, 11 ms, half sine wave
Designed to meet			UL, CE, CUL, FM Class 1 Div. 2, NEMA 250 Type 1, and IP 20 conforming to IEC 529
Specifications			
Central processing unit (CPU)			x 86 based IEC Executive
Word length		bit	16
Material			Lexan
Voltage		Vdc	5.0 V (supplied by I/O Base)
Voltage tolerance			± 5% (as supplied by I/O Base)
RFI immunity/EMI susceptibility/Electrostatic discharge			Meets CE mark for open equipment. Open equipment should be installed in an industry standard enclosure, with access restricted to qualified service personnel
Di-electric strength			Comm port is non-isolated from logic common
Indicator lights			Processor adapter operating (RUN), Ethernet network status (LAN Act) and Ethernet network activity (LAN STS)
Power source			Power supply on-board the Modicon™ Momentum™ I/O Base
Flash memory		Mb	1
Clock speed		MHz	50
Scan time		ms/K	3
Communication ports	1		Ethernet
	2		I/O Bus (derivative of INTERBUS) Dedicated RS 485 Modbus
Capacity	984 LL program memory	K	18
	IEC program memory	K	200
	Data memory	K	24
	Discrete I/O		8192 In/8192 Out (A total of 8192 bits can be configured for discrete and analog I/O, any mix up to the stated limits)
	Register I/O		26048 In/26048 Out (A total of 26048 words can be configured for discrete and analog I/O, any mix up to the stated limits)
	I/O limit		8192 bits max. : - 4096 In/4096 Out on I/O Bus - I/O can be extended using a Modbus Plus™ option adapter and Peer Cop (2048 In/Out) - I/O local on Modbus™ - I/O can be extended using a Modbus Plus option adapter and Peer Cop (2048 In/Out)
Transparent Ready services	Class		B10
	Web services		"Rack Viewer" access to the product description and status, and to the island diagnostics "Data editor" access to the configuration functions and variables "Web page loader" software tool for loading user Web pages
	Ethernet TCP/IP communication management services		Modbus Messaging (read/write data words) I/O Scanning
I/O bus addressing			80 I/O drops with ProWORX™, 128 I/O drops with Concept™ —

Modicon™ Momentum™ automation platform

M1/M1E processor adapters



171 CCS 700 00



171 CCC 700 10



171 CCC 900 20/30

Transparent Ready

M1/M1E processor adapters

RAM Memory	Comm Port(s)	Clock Speed	Reference	Weight kg (oz)
64 K	1 Modbus™	20 MHz	171 CCS 700 00	0.042 (1.5)
	1 Modbus	32 MHz	171 CCS 700 10	0.042 (1.5)
	2 Modbus	20 MHz	171 CCS 780 00	0.042 (1.5)
256 K	1 Modbus, 1 I/O Bus	32 MHz	171 CCS 760 00	0.042 (1.5)
	1 Modbus, 1 I/O Bus	32 MHz	171 CCC 760 10	0.042 (1.5)
512 K	2 Modbus	32 MHz	171 CCC 780 10	0.042 (1.5)
	1 Modbus, 1 Ethernet	50 MHz	171 CCC 980 20	0.042 (1.5)
544 K (1)	1 Ethernet, 1 I/O Bus	50 MHz	171 CCC 960 20	0.042 (1.5)
	1 Modbus, 1 Ethernet	50 MHz	171 CCC 980 30	0.042 (1.5)
544 K, IEC Exec (1)	1 Ethernet, 1 I/O Bus	50 MHz	171 CCC 960 30	0.042 (1.5)

(1) Transparent Ready™ Class B10 (embedded standard Web server - standard Ethernet TCP/IP communication services). For more details, consult our catalog "Transparent Ready, Ethernet TCP/IP and Web technologies".

Modicon™ Momentum™ automation platform

M1/M1E processor adapters

Connection accessories and documentation

Description	Type	Sold in lot of	Reference	Weight kg (oz)
RS 232 communication cable RJ45 to RJ45	1 m (3 ft)	–	110 XCA 282 01	–
	3 m (10 ft)	–	110 XCA 282 02	–
	6 m (20 ft)	–	110 XCA 282 03	–
RS 485 cable connector T for RJ45	–	–	170 XTS 040 00	–
RS 485 terminating (RJ45 resistor plugs)	–	2	170 XTS 021 00	–
D-shell adapters	RJ45 to 9-pin (for AT serial port)	–	110 XCA 203 00	–
	RJ45 to 25-pin (for XT serial port)	–	110 XCA 204 00	–
Ground clamp	–	–	424 244 739	–
ConneXium™ cabling system	Ethernet cabling for M1E processor adapters	–	See page 76	–
Concept™ software	–	–	See page 95	–
ProWORX™ software	–	–	See page 99	–
Processor adapters – user guide	–	–	See page 103	–

Configuration

Modbus Plus™ option adapters



Communication network

Modbus Plus

Communication port(s)

1 Modbus Plus

2 redundant Modbus Plus

Comm port connector

9-pin D-shell

Time-of-day clock

On-board, ± 13 sec/day accuracy

Back-up battery

User-replaceable 2/3 AA Lithium

Voltage

5 Vdc supplied by I/O base

Operating temperature

0 ... 60°C

Humidity

5 ... 95%, relative noncondensing

Shock

± 15 g peak, 11 ms, half-sine wave

Vibration

10 ... 57 Hz @ 0,075 mm d.a.

Type of module

172 PNN 210 22

172 PNN 260 22

Page

75

Serial option adapter



General-purpose serial communications

1 software-selectable RS 232/RS 485 serial port

9-pin D-shell

On-board, ± 13 sec/day accuracy

User-replaceable 2/3 AA Lithium

5 Vdc supplied by I/O base

0 ... 60°C

5 ... 95%, relative noncondensing

± 15 g peak, 11 ms, half-sine wave

10 ... 57 Hz @ 0,075 mm d.a.

172 JNN 210 32

75

Modicon™ Momentum™ automation platform

Option adapters

Introduction

Modicon™ Momentum™ option adapters, mounted on Modicon Momentum I/O bases, can be used to enhance the capabilities of the Modicon Momentum processor adapters that mount on top of the option adapter. These option adapters allow you to network your local logic solvers together into an intelligent subsystem as part of a larger Schneider Electric application, or into a stand alone, integrally networked system with local controllers with extended I/O.

Modicon Momentum option adapter models include:

172 PNN 210 22 - one Modbus Plus™ communication port

172 PNN 260 22 - two redundant Modbus Plus communication ports

172 JNN 210 32 - one general-purpose serial communication port, RS 232 or RS 485 selectable

Each of these option adapters provides an on-board, TOD (*Time-Of-Day*) clock that is available to the application residing in the processor adapter. The clock is useful for the scheduling of events, time-stamping operations and operator interface requirements. In addition, each option adapter contains a battery-backup system that maintains the application and its variables in the event of a power outage to the processor adapter. The option adapter's convenient side-door access allows for quick replacement of the single 2/3 AA Lithium battery.

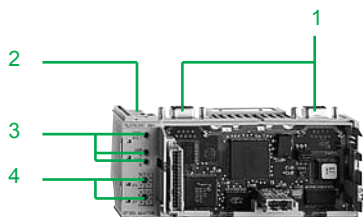
In addition to the TOD clock and battery backup features, the **172 PNN 210 22** adapter allows you to add networking to the intelligent I/O base. Model **172 PNN 260 22** allows you to add redundantly-cabled networking to the I/O base. This opens the Modicon Momentum product line to a broad spectrum of applications. You can use the port to connect to other processors, such as:

- Other Modicon Momentum processor/option adapters
- Other PLCs enabled with Modbus Plus
- Modicon Momentum Modbus Plus communication adapters and I/O bases
- Other third party devices using Modbus Plus to communicate

Model **172 JNN 210 32** allows you to add a second, defacto-industry standard Modbus port (selectable RS 232/485) to the I/O base. You can use the port to connect to other processors, such as other Modicon Momentum processor/option adapters, and to other devices, such as operator interface panels and display marquees.

Programming software for Modicon Momentum

Modicon Momentum processor adapters have a number of PC programming software options available. You can program your processor adapter via the Modbus RS 232 serial port, or if using a Modbus Plus option adapter in conjunction with a processor adapter, via an SA85 card installed in a PC and connected to the same Modbus Plus network. For more specific information, see the appropriate Modicon™ Momentum, ProWORX™, and Concept™ programming software documentation.



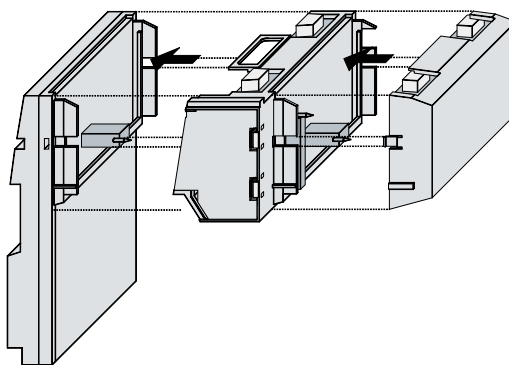
Description

A typical Modicon™ Momentum™ option adapter consists of the following components :

- 1 9-pin D-shell connector(s) for Modbus Plus™ communications
- 2 Battery compartment
- 3 LED indicators
- 4 Address switches for Modbus Plus

Mounting

Modicon Momentum option adapters provide the processor adapters with additional networking capabilities, a time-of-day clock, and a battery back-up. The option adapters also snap onto the I/O base; in this figure, the processor adapter stacks on top. Here, the option adapter is used in conjunction with the processor adapter to extend the system's I/O capacity.



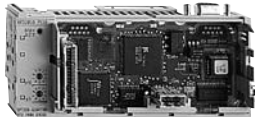
Modicon™ Momentum™ automation platform

Option adapters

Specifications		172 PNN 210 22	172 PNN 260 22	172 JNN 210 32
Model No		172 PNN 210 22	172 PNN 260 22	172 JNN 210 32
Time-of-day clock		On-board, ± 13 s/day accuracy		
Battery	Type	User-replaceable 2/3 AA Lithium		
	Service life	< 30 days from the time a battery-low indication is received, to actual battery failure @ 40 °C maximum service life ambient temperature with the system continuously powered down		
	Shelf life	In excess of 5 years at room temperature		
Communication port(s)		One Modbus Plus™ port Drop address range 1...64	Two redundant Modbus Plus ports	General-purpose serial port RS 232 or RS 485 selectable
Comm port connector(s)		9-pin D-shell		
Operating temperature		°C	0...60	
Storage temperature		°C	- 40...85	
Relative humidity		5...95% (non-condensing)		
Altitude		m (ft)	2000 (6,562)	
Shock		± 15 gn peak, 11ms, half sine wave		
Vibration		Hz	57...150 @ 1 gn 10...57 @ 0.075 mm d.a.	
Height		in (mm)	1.01 (25.) [2.10 (58.3) on battery side]	
Width		in (mm)	5.57 (143.1)	
Depth		in (mm)	2.36 (60.06)	
Weight		oz (g)	3.00 (85.05)	
Material		Lexan		
Voltage		Vdc	5.0 (supplied by I/O base)	
Voltage tolerance		± 5% (as supplied by I/O base)		
RFI immunity/EMI susceptibility/Electrostatic discharge		Meets CE mark for open equipment. Open equipment should be installed in an industry standard enclosure, with access restricted to qualified service personnel		
Di-electric strength		Vdc	500	
Designed to meet		UL, CE, CSA, NEMA 250 Type 1, and IP 20 conforming to IEC 529		UL, CSA, NEMA 250 Type 1, and IP 20 conforming to IEC 529, FM Class I, Div. II
Packaging		Standard Modicon™ Momentum™ option adaptor		
Indicator lights		Communication active light		
Power source		Power supply on-board the Modicon Momentum I/O base		

Modicon™ Momentum™ automation platform

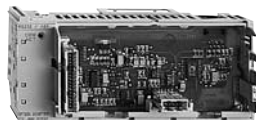
Option adapters



172 PNN 210 22



172 PNN 260 22



172 JNN 210 32

Option adapter modules

Description	Reference	Weight kg (oz)
Modbus Plus™ option adapter, single Port	172 PNN 210 22	0.070 (2.5)
Modbus Plus option adapter, dual redundant ports	172 PNN 260 22	0.070 (2.5)
Serial option adapter, single serial port	172 JNN 210 32	0.070 (2.5)

Accessories

Description	Use		Length	Reference	Weight kg
	From	To			
Standard Modbus Plus cables	T-junction box	T-junction box	30 m (100 ft)	490 NAA 271 01	–
			150 m (500 ft)	490 NAA 271 02	–
			300 m (1000 ft)	490 NAA 271 03	–
			450 m (1500 ft)	490 NAA 271 04	–
			1500 m (5000 ft)	490 NAA 271 06	–
Modbus Plus Drop cables	Communication modules for Modicon Momentum I/O bases	T-junction box	2.4 m (8 ft)	900 NAD 211 10	0.530
			6 m (20 ft)	900 NAD 211 30	0.530
Modbus Plus RS 485 cables	–	–	25 m (10.0 in)	170 MCI 020 10	–
			1 m (3 ft)	170 MCI 020 36	–
RS 485 master communication cable (RJ45/RJ45)	–	–	0.3 m (1 ft)	170 MCI 041 10	–
Modbus Plus RJ45 cable	–	–	3 m (10 ft)	170 MCI 021 20	–
Modbus Plus RJ45 cables double-ended	–	–	3 m (10 ft)	170 MCI 021 80	–
			10 m (30 ft)	170 MCI 020 80	–
RS 232 communication cables (RJ45/RJ45)	–	–	1 m (3 ft)	110 XCA 282 01	–
			3 m (10 ft)	110 XCA 282 02	–
			6 m (20 ft)	110 XCA 282 03	–

Description	Use	Reference	Weight kg
Modbus Plus taps	IP 20 junction box for tap-off connection (T), integrate the terminator. Requires the wiring tools 043 509 383	990 NAD 230 00	0.230
	IP 65 junction box for tap-off connection (T), supports 1 RJ45 connector on front panel for terminal	990 NAD 230 10	–
Modbus Plus line connector (9-Pin Sub-D)	Communication module connection	AS MBKT 085	–
Modbus Plus line terminators (sold in lot of 2)	2 impedance adapters for box (IP 20) 990 NAD 230 00 (replacement part)	AS MBKT 185	–
	2 impedance adapters for box (IP 65) 990 NAD 230 10	990 NAD 230 11	–
D-shell adapters	RJ45 to 9-pin (for AT serial port)	110 XCA 203 00	–
	RJ45 to 25-pin (for XT serial port)	110 XCA 204 00	–

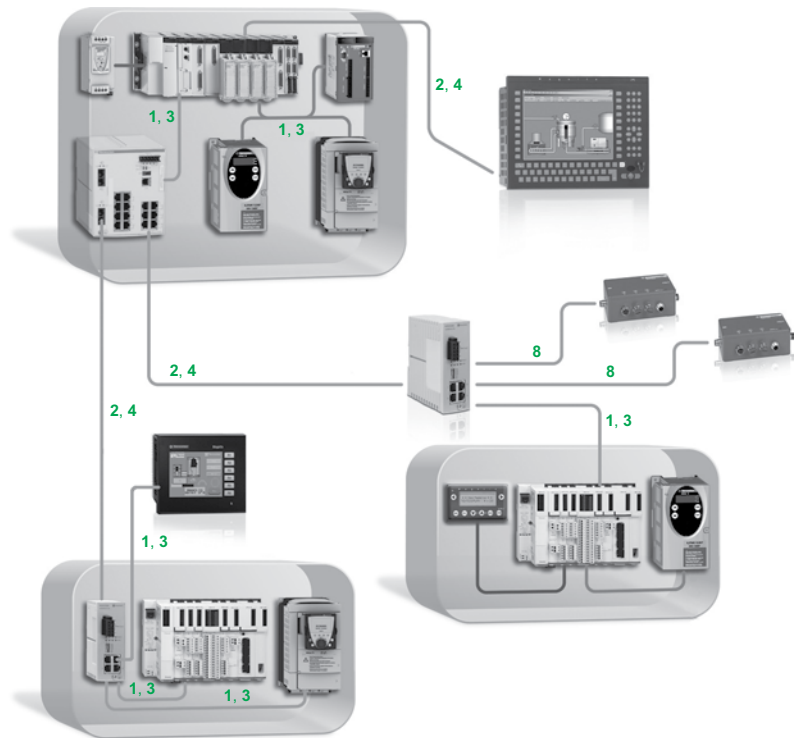
Description	Sold in lots of	Reference	Weight kg (oz)
RS 485 (9-Pin Sub-D) cable connector T for RJ45	–	170 XTS 040 00	–
RJ45 shielded connectors	25	170 XTS 022 00	–
Modbus Plus terminating RJ45 resistor plugs	2	170 XTS 021 00	–
RS 485 (RJ45) cable connector T for RJ45	–	170 XTS 041 00	–
RS 485 Multi-Master RJ45 shunt plugs	2	170 XTS 042 00	–
Modbus Plus (9-Pin Sub-D) cable connector T for RJ45	–	170 XTS 020 00	–
Ground clamp	–	424 244 739	–
Wiring tool	–	043 509 383	–
Mounting trunk and tap wires on the IP20 junction box 990 NAD 230 00			

Introduction

Schneider Electric offers copper and fiber optic Ethernet cables for wiring your IP 20 and IP 67 devices.

Examples

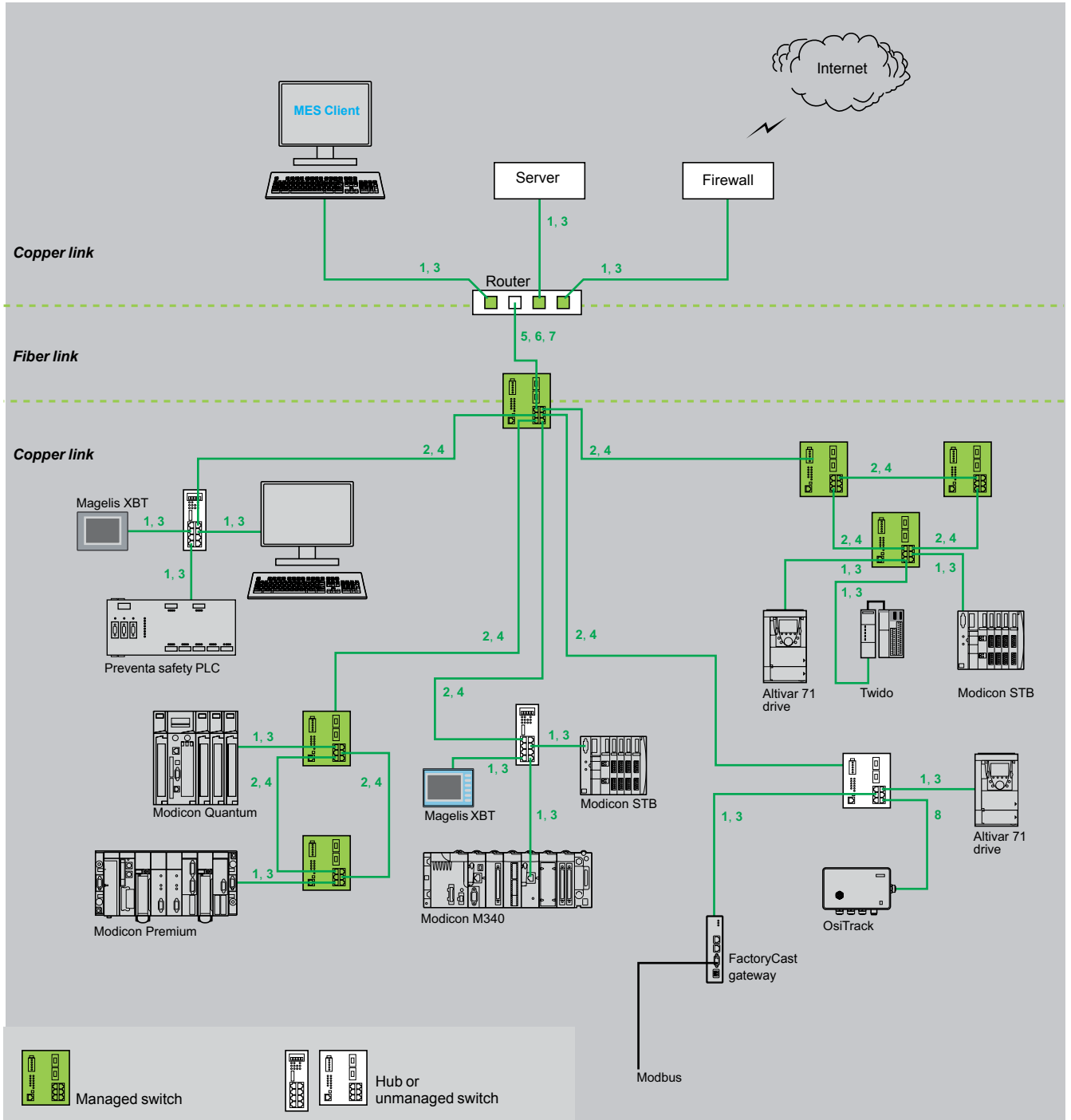
Combined IP 20 and IP 67 wiring (copper)



For key:
1, 3: Straight copper cordsets
2, 4: Crossed copper cordsets
8: Cables with IP 67 connector
see pages 78 and 79.

Examples (continued)

Combined Copper and Fiber wiring



For key:
 1, 3: Straight cables
 2, 4: Crossed cord cables
 5, 6, 7: Fiber optic cables
 8: Cables with IP 67 connector
 see pages 78 and 79.

Ethernet network

Cabling system

ConneXium™ connection components

Shielded copper connection cables

ConneXium™ shielded connection cables are available in two versions to meet current standards and approvals:

■ **EIA/TIA 568 shielded twisted pair cables for e market**

- These cables conform to:
- EIA/TIA-568 standard, category CAT 5E
 - IEC 11801/EN 50173 standard, class D

- Their fire resistance conforms to:
- NF C32-070# C2 classification
 - IEC 322/1 standards
 - Low Smoke Zero Halogen (LSZH)

■ **EIA/TIA 568 shielded twisted pair cables for UL market**

- The cable material is:
- CEC type FT-
 - NEC type CM



490 NT● 000 ●●

EIA/TIA 568 shielded twisted pair cables for C€ market

Description	Preformed at both ends	Rep.	Length m (ft)	Reference	Weight kg
Straight cables	2 RJ45 connectors For connection to terminal devices (DTE)	1	2 (6.6)	490 NTW 000 02	–
			5 (16.4)	490 NTW 000 05	–
			12 (39.4)	490 NTW 000 12	–
			40 (131.2)	490 NTW 000 40	–
			80 (262.5)	490 NTW 000 80	–
Crossed cord cables	2 RJ45 connectors For wiring diagrams between hubs, switches and transceivers	2	5 (16.4)	490 NTC 000 05	–
			15 (49.2)	490 NTC 000 15	–
			40 (131.2)	490 NTC 000 40	–
			80 (262.5)	490 NTC 000 80	–

EIA/TIA 568 shielded twisted pair cables for UL market

Description	Preformed at both ends	Rep.	Length m (ft)	Reference	Weight kg
Straight cables	2 RJ45 connectors For connection to terminal devices (DTE)	3	2 (6.6)	490 NTW 000 02U	–
			5 (16.4)	490 NTW 000 05U	–
			12 (39.4)	490 NTW 000 12U	–
			40 (131.2)	490 NTW 000 40U	–
			80 (262.5)	490 NTW 000 80U	–
Crossed cord cables	2 RJ45 connectors For wiring diagrams between hubs, switches and transceivers	4	5 (16.4)	490 NTC 000 05U	–
			40 (131.2)	490 NTC 000 40U	–
			80 (262.5)	490 NTC 000 80U	–

“Do it Yourself” cable and connectors

The “Do It Yourself” offer is comprised of 2 references for “field installable” connectors (M12 and RJ45) and one reference for spooled cable measuring 300 m. The product are intended for use in industrial Ethernet networks supporting transmission rates up to 100 Mbit/s over the combined maximum cable length up to 80 m.

Quick, on-the-floor assembly is accomplished with only a knife and pliers.

Description	According to	Length m (ft)	Reference	Weight kg
Ethernet copper cable 2 shielded twisted pairs 24 AWG	EIA/TIA-568 (80 m max. link length) UL 508-CM, C€ EN 50173 Class D	300 m (1000)	TCS ECN 300R2	–
RJ45 connector IP 20	EIA/TIA-568-D, category CAT 5E, C€	–	TCS EK3 MDS	–
M12 connector D-Code, IP 65/67	IEC 60176-2-101, EN 50173 Class D	–	TCS EK1 MDRS	–

(1) For key to numbers, see pages 76 and 77.



490 NOC 000 05



490 NOT 000 05



490 NOR 000 05



TCS EAA F1LF 00

Glass fiber optic cables

These glass fiber optic cables are for wiring:

- To a terminal device (DTE)
- Between hubs, transceivers and switches

Description	Preformed at both ends	Rep.	Length m (ft)	Reference	Weight kg
Glass fiber optic cables	1 SC connector 1 MT-RJ connector	5	5 (16.4)	490 NOC 000 05	–
	1 ST connector (BFOC) 1 MT-RJ connector	6	5 (16.4)	490 NOT 000 05	–
	2 MT-RJ connectors	7	3 (9.8)	490 NOR 000 03	–
			5 (16.4)	490 NOR 000 05	–

Separate parts for TCS ESM switches

Description	Optical fiber	Type	Reference	Weight kg
Fiber optic modules for Gigabit ports with LC connector (1)	Multi-mode 50/125 µm or 62.5/125 µm	1000BASE-SX	TCS EAA F1LFU00	0.040
	Single mode 9/125 µm	1000BASE-LH	TCS EAA F1LFH00	0.040
	Multi-mode 50/125 µm or 62.5/125 µm Single mode 62.5/125 µm	1000BASE-LX	TCS EAA F1LFS00	0.040
Configuration backup key	Via the USB port on the front of the switch, used to:		TCS EAM 0100	–
	- save and retrieve the switch configuration			
	- update the internal software			

(1) Dimensions W x H x D = 20 x 18 x 50 mm.

Connection components for IP 67 switch

Description	Preformed at both ends	Rep.	Length m (ft)	Reference	Weight kg
Copper cables	1 IP 67 4-way M12 connector and 1 RJ45 connector	8	1 (3.3)	TCS ECL 1M3M 1S2	–
			3 (9.8)	TCS ECL 1M3M 3S2	–
			10 (32.8)	TCS ECL 1M3M 10S2	–
			25 (82)	TCS ECL 1M3M 25S2	–
			40 (131.2)	TCS ECL 1M3M 40S2	–
	2 IP 67 4-way M12 connectors	–	1 (3.3)	TCS ECL 1M1M 1S2	–
			3 (9.8)	TCS ECL 1M1M 3S2	–
			10 (32.8)	TCS ECL 1M1M 10S2	–
			25 (82)	TCS ECL 1M1M 25S2	–
			40 (131.2)	TCS ECL 1M1M 40S2	–
Power cables	Female M12 straight connector	–	2 (6.6)	XZC P1164L2	–
			5 (16.4)	XZC P1164L5	–
	Female M12 elbowed connector	–	2.5 (8.2)	XZC P1264L2	–
			5 (16.4)	XZC P1264L5	–
Power connectors	Female M12 straight connector	–	–	XZC C12 FDM 50B	–
	Female M12 elbowed connector	–	–	XZC C12 FCM 50B	–
M12/RJ45 adaptor	IP 67 female 4-way M12 connector and female RJ45 connector	–	–	TCS EAA F11F13F00	–

Ethernet network

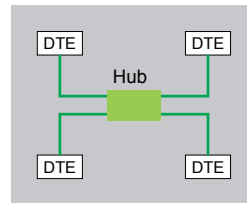
Cabling system

ConneXium™ hub

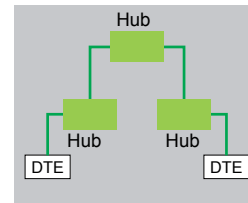
Introduction

Hubs (*concentrators*) are used for transmitting signals between several media ports. Hubs are “plug and play” devices that do not need any configuration. The use of hubs makes it possible to create the following topologies:

- Star topology using hubs
- Tree topology using hubs



Star topology



Tree topology

Specifications and reference



Hubs			
Interfaces	Copper cable ports	Number and type	4 x 10BASE-T ports
		Shielded connectors	RJ45
	Fiber optic ports	Medium	Shielded twisted pair, category CAT 5E
		Total length of pair	100 m
Topology	Number of cascaded hubs	max. 4	
	Number of hubs in a ring	–	
Redundancy		P1 and P2 redundant power supplies	
Power supply	Voltage	24 V (18...32) ---, safety extra low voltage (SELV)	
	Power consumption	80 mA (130 max. at 24 V ---)	
	Removable connector	5-way	
Operating temperature		0... + 60 °C	
Relative humidity		10...95% non condensing	
Degree of protection		IP 30	
Dimensions	W x H x D	40 x 125 x 80 mm	
Mounting		On symmetrical DIN rail, 35 mm wide	
Weight		0.530 kg	
Conformity to standards		cUL 60950, UL 508 and CSA 22.2 No. 142, UL 1604 and CSA 22.2 No. 213 Class 1 Division 2, C€, GL, C-Tick FM 3810, FM 3611 Class 1 Division 2	
LED indicators		Power supply, activity, link	
Alarm relay		Detected power supply fault, detected Ethernet network fault, or detected communication port fault (1 A max. volt-free contact at 24 V ---)	
Reference		499 NEH 104 10	

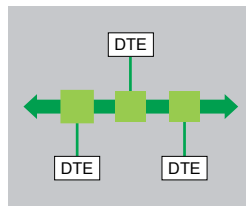
Introduction

The use of ConneXium™ transceivers makes it possible to perform the following:

- Creation of linear fiber optic bus topologies, for products with twisted pair cable Ethernet connection
- Interfacing products with twisted pair cable Ethernet connection with a fiber optic cable

Transceivers are “plug and play” devices that do not need any configuration.

ConneXium transceivers provide fiber optic wiring for transmission in areas subject to interference (high levels of electromagnetic interference) and for long distance communications.



Linear topology on optical fiber

Specifications and reference

Ready.



Transceivers			
Interfaces	Copper cable ports	Number and type	1 x 100BASE-TX port
		Shielded connectors	RJ45
		Medium	Shielded twisted pair, category CAT 5E
		Total length of pair	100 m
	Fiber optic ports	Number and type	1 x 100BASE-FX port
		Connectors	SC
		Medium	Multi-mode optical fiber
	Length of optical fiber		
	50/125 μm fiber	3000 m (1)	
	62.2/125 μm fiber	3000 m (1)	
	Attenuation analysis		
	50/125 μm fiber	8 dB	
	62.2/125 μm fiber	11 dB	
Redundancy			P1 and P2 redundant power supplies
Power supply	Voltage		24 V (18...32) ---, safety extra low voltage (SELV)
	Power consumption		160 mA (190 max. at 24 V ---)
	Removable connector		5-way
Operating temperature			0...+ 60 °C
Relative humidity			10...95% non condensing
Degree of protection			IP 20
Dimensions	W x H x D		47 x 135 x 111 mm
Mounting			On symmetrical DIN rail, 35 mm wide
Weight			0.230 kg
Conformity to standards			cUL 60950, UL 508 and CSA 22.2 No. 142, UL 1604 and CSA 22.2 No. 213 Class 1 Division 2, CE, GL, C-Tick
LED indicators			P1 and P2 power supplies, Ethernet link/port status
Alarm relay			Detected power supply fault, detected Ethernet network fault, or detected communication port fault (1 A max. volt-free contact at 24 V ---)
Reference			499 NTR 101 00

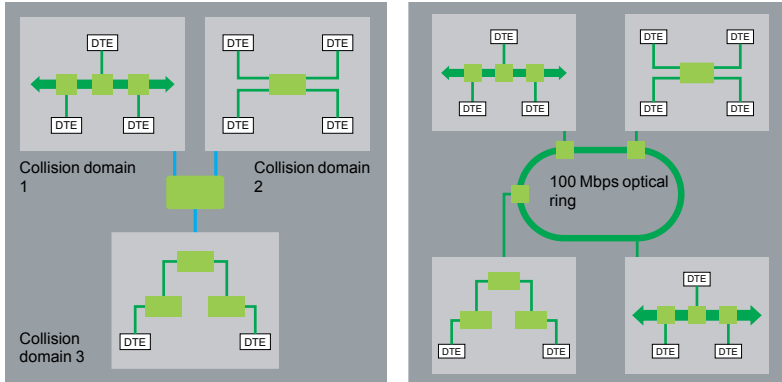
(1) Length dependent on the attenuation analysis and attenuation of the optical fiber (typical value: 2000 m).

Ethernet network

Cabling system

ConneXium™ unmanaged switches

Introduction



Switches are used to increase the limits of architectures – based on hubs or transceivers – by separating collision domains. Higher layer communication is provided between the ports, and collisions at link layer are not propagated (filtering). Switches improve performance by better allocation of the pass band due to the reduction of collisions and the network load. Certain ConneXium™ switch models also enable redundant architectures to be created on twisted pair copper ring or fiber optic.

Switches are “plug & play” devices that do not need any configuration. They can also be managed remotely via the SNMP or HTTP protocols for monitoring and diagnostics purposes.

Specifications and references: twisted pair

Transparent Ready.



Switches			Copper twisted pair, unmanaged			
Interfaces	Copper cable ports	Number and type	5 x 10BASE-T/ 100BASE-TX ports		8 10BASE-T/100BASE-TX ports	
		Shielded connectors	M12 (type D)		RJ45	
		Medium	Shielded twisted pair, category CAT 5E			
		Total length of pair	100 m			
		Ethernet services	Storage and re-routing of received data, auto MDI/MDX, automatic negotiation of 10/100 Mbit/s and duplex mode, automatic change of polarity			–
Topology	Number of switches	Cascaded	Unlimited			
		Redundant in a ring	–			
Redundancy			–		P1 and P2 redundant power supplies	
Power supply	Voltage	24 V ~ (18...32) safety extra low voltage (SELV)				
	Power consumption	mA max.	100	125 (290 max.)		
	Removable connector	5-way M12 (type A, male)		5-way		
Operating temperature			0...+ 60 °C			
Relative humidity			–		10...95% non condensing	
Degree of protection			IP 67		IP 20	
Dimensions		W x H x D	60 x 126 x 31 mm		47 x 135 x 111 mm	
Mounting			On symmetrical DIN rail, 35 mm wide			
Weight			0.210 kg		0.230 kg	
Conformity to standards			cUL 508 and CSA 22.2 No. 142		cUL 60950, UL 508 and CSA 22.2 No. 142, UL 1604 and CSA 22.2 No. 213 Class 1 Division 2, CE, GL, C-Tick	
LED indicators			Power supply, link status, line activity		P1 and P2 power supplies, Ethernet link/port status	
Alarm relay			–		Detected power supply fault, detected Ethernet network fault, or detected communication port fault (1 A max. volt-free contact at 24 V ~)	
Reference			TCS ESU 051F0		499 NES 181 00	
IP 67 cordsets						
Ethernet cordsets			Preformed at each end, see page 79			
Power supply cables			Preformed at each end with M12 female straight connectors		Preformed at each end with female M12 angled connectors	
			Length 2 m	Length 5 m	Length 2 m	Length 5 m
Reference			XZC P1164L2		XZC P1164L5	
			XZC P1264L2		XZC P1264L5	
Spare power connectors			Female M12 straight connector		Female M12 angled connector	
Reference			XZC C12 FDM 50B		XZC C12 FCM 50B	

Specifications and references: 3, 4 and 5 ports, twisted pair, fiber optic



Switches		Copper twisted pair, unmanaged				
Interfaces	Copper cable ports	Number and type	3 x 10BASE-T/ 100BASE-TX ports	4 x 10BASE-T/ 100BASE-TX ports	5 x 10BASE-T/ 100BASE-TX ports	
		Shielded connectors	RJ45			
		Medium	Shielded twisted pair, category CAT 5E			
		Total length of pair	100 m			
	Fiber optic ports	Number and type	–	1 x 100BASE-FX ports	–	
		Connectors	–	Duplex SC	–	
		Medium	–	Multi-mode optical fiber	–	
		Length of optical fiber	50/125 µm fiber	–	5000 m (1)	–
			62,2/125 µm fiber	–	4000 m (1)	–
		Attenuation analys	50/125 µm fiber	–	8 dB	–
62,2/125 µm fiber	–		11 dB	–		
Ethernet services	Storage and re-routing of received data, auto MDI/MDX (automatic switching depending on whether cables are straight or crossed), automatic negotiation of 10/100 Mbit/s and duplex mode, automatic change of polarity					
Topology	Number of switches	Cascaded	Unlimited			
		Redundant in a ring	–			
Redundancy		–				
Power supply	Voltage, safety extra low voltage (SELV)		~ 24 V (~ 9,6...32 V)			
	Power consumption		Max. 2,2 W	Max. 3,9 W	Max. 2,2 W	
	Connector	3 way removable connector				
Operating temperature		0...+ 60°C				
Relative humidity		Max. 95 % non condensing				
Degree of protection		IP 30				
Dimensions	W x H x D	25 x 114 x 79 mm				
Weight		0,113 kg	0,120 kg	0,113 kg		
Conformity to standards		UL 508 and CSA 22.2 No.142 IEC/EN 61131-2, IEC 60825-1 class 1, CISPR 11A				
LED indicators		Power supply, copper port activity, 10 or 100 Mbit/s data rate				
		–	Fiber port state and activity	–		
Alarm relay		–				
Référence		TCS ESU 033FN0	TCS ESU 043F1N0	TCS ESU 053FN0		

(1) Length dependent on the attenuation analysis and attenuation of the fiber optic (typical value: 2,000 m).

Specifications and references: 5 ports, twisted pair and fiber optic



Switches			Copper twisted pair and fiber optic, unmanaged						
Interfaces	Copper cable ports	Number and type	4 x 10BASE-T/ 100BASE-TX ports	3 x 10BASE-T/ 100BASE-TX ports	4 x 10BASE-T/ 100BASE-TX ports	3 x 10BASE-T/ 100BASE-TX ports			
		Shielded connectors	RJ45						
		Medium	Shielded twisted pair, category CAT 5E						
		Total length of pair	100 m						
	Fiber optic ports	Number and type	1 x 100BASE-FX port	2 x 100BASE-FX ports	1 x 100BASE-FX port	2 x 100BASE-FX ports			
		Connectors	SC						
		Medium	Multi-mode optical fiber		Single mode optical fiber				
		Length of optical fiber							
		50/125 μm fiber	5,000 m (1)		–				
		62.2/125 μm fiber	4,000 m (1)		–				
9/125 μm fiber		–		32,500 m (2)					
Attenuation analysis									
50/125 μm fiber	8 dB		–						
62.2/125 μm fiber	11 dB		–						
9/125 μm fiber	–		16 dB						
Topology	Number of switches	Cascaded	Unlimited						
		Redundant in a ring	–						
Redundancy		P1 and P2 redundant power supplies							
Power supply	Voltage	24 V $\overline{\text{DC}}$ (18...32), safety extra low voltage (SELV)							
	Power consumption	mA max.	200	240	200	240			
	Removable connector	5-way							
Operating temperature		-40...+70 °C							
Relative humidity		10...95% non condensing							
Degree of protection		IP 20							
Dimensions		W x H x D	47 x 135 x 111 mm						
Mounting		On symmetrical DIN rail, 35 mm wide							
Weight			0.330 kg	0.335 kg	0.330 kg	0.335 kg			
Conformity to standards		cUL 60950, cUL 508 and CSA 22.2 No. 142, UL 1604 and CSA 22.2 No. 213 Class 1 Division 2, CE, GL, C-Tick							
LED indicators		P1 and P2 power supplies, Ethernet link status, transmission activity							
Alarm relay		Activity, detected power supply fault, detected Ethernet network fault, or detected communication port fault (1 A max. volt-free contact at 24 V $\overline{\text{DC}}$)							
Reference		499 NMS 251 01		499 NMS 251 02		499 NSS 251 01		499 NSS 251 02	

(1) Length dependent on the attenuation analysis and attenuation of the fiber optic (typical value: 2,000 m).

(2) Length dependent on the attenuation analysis and attenuation of the fiber optic (typical value: 15,000 m).

Specifications and references: 4 ports, twisted pair and fiber optic



Switches			Copper twisted pair and fiber optic, managed			
Interfaces	Copper cable ports	Number and type	3 x 10/100BASE-TX ports	2 x 10/100BASE-TX ports	3 x 10/100BASE-TX ports	2 x 10/100BASE-TX ports
		Shielded connectors	RJ45			
		Medium	Shielded twisted pair, category CAT 5E			
		Total length of pair	100 m			
	Fiber optic ports	Number and type	1 x 100BASE-FX port	2 x 100BASE-FX ports	1 x 100BASE-FX port	2 x 100BASE-FX ports
		Connectors	Duplex SC			
		Medium	Multi-mode optical fiber		Single mode optical fiber	
		Length of optical fiber				
		50/125 µm fiber	5,000 m (1)		–	
		62.2/125 µm fiber	4,000 m (1)		–	
9/125 µm fiber		–		32,500 m (2)		
Attenuation analysis	50/125 µm fiber	8 dB		–		
	62.2/125 µm fiber	11 dB		–		
	9/125 µm fiber	–		16 db		
Ethernet services	FDR, SMTP V3, SNMP client, multicast filtering for optimization of the Global Data protocol, configuration via Web access VLAN, IGMP Snooping, RSTP (<i>Rapid Scanning Tree Protocol</i>), priority port, data stream control, secure port					
Topology	Number of switches	Cascaded	Unlimited			
		Redundant in a ring	max. 50			
Redundancy	Redundant power supplies, redundant single ring, ring coupling					
Power supply	Voltage	Operation	9.6...60 V $\overline{\text{---}}$ /18...30 V \sim , safety extra low voltage (SELV)			
	Power consumption		6.5 W	7.3 W	6.5 W	7.3 W
	Removable connector		6-way			
Operating temperature	0...+ 60 °C					
Relative humidity	10...90% non condensing					
Degree of protection	IP 20					
Dimensions	W x H x D	47 x 131 x 111 mm				
Mounting	On symmetrical DIN rail, 35 mm wide					
Weight	0.400 kg					
Conformity to standards	IEC/EN 61131-2, IEC 61850-3, UL 508, UL 1604 Class 1 Division 2, CSA 22.2 No. 214 (cUL), CSA 22.2 No. 213 Class 1 Division 2 (cUL), CE, GL, C-Tick					
LED indicators	Power supply status, alarm relay status, active redundancy, redundancy management, copper port status and copper port activity					
Alarm relay	Detected power supply fault, detected Ethernet network fault, detected communication port fault, detected redundancy fault (1 A max. volt-free contact at 24 V $\overline{\text{---}}$)					
Reference	TCS ESM 043F1CU0	TCS ESM 043F2CU0	TCS ESM 043F1CS0	TCS ESM 043F2CS0		

(1) Length dependent on the attenuation analysis and attenuation of the fiber optic (typical value: 2,000 m).

(2) Length dependent on the attenuation analysis and attenuation of the fiber optic (typical value: 15,000 m).

Specifications and references: 4 and 8 ports, twisted pair

Transparent
Ready.



Switches			Copper twisted pair, managed	
Interfaces	Copper cable ports	Number and type	4 x 10/100BASE-TX ports	8 x 10/100BASE-TX ports
		Shielded connectors	RJ45	
		Medium	Shielded twisted pair, category CAT 5E	
		Total length of pair	100 m	
	Fiber optic ports	Number and type	–	
		Connectors	–	
		Medium	–	
		Length of optical fiber	–	
		50/125 µm fiber	–	
		62.2/125 µm fiber	–	
		9/125 µm fiber	–	
	Ethernet services	Attenuation analysis	–	
		50/125 µm fiber	–	
62.2/125 µm fiber		–		
9/125 µm fiber		–		
Topology	Number of switches	Cascaded	Unlimited	
		Redundant in a ring	max. 50	
Redundancy			Redundant power supplies, redundant single ring, ring coupling	
Power supply	Voltage	Operation	9.6...60 V $\overline{\text{---}}$ /18...30 V \sim , safety extra low voltage (SELV)	
	Power consumption		5.3 W	5.3 W
	Removable connector		6-way	
Operating temperature			0...+ 60 °C	
Relative humidity			10...90% non condensing	
Degree of protection			IP 20	
Dimensions		W x H x D	47 x 131 x 111 mm	74 x 131 x 111 mm
Mounting			On symmetrical DIN rail, 35 mm wide	
Weight			0.400 kg	0.410 kg
Conformity to standards			IEC/EN 61131-2, IEC 61850-3, UL 508, UL 1604 Class 1 Division 2, CSA 22.2 No. 214 (cUL), CSA 22.2 No. 213 Class 1 Division 2 (cUL), CE, GL, C-Tick	
LED indicators			Power supply status, alarm relay status, active redundancy, redundancy management, copper port status and copper port activity	Power supply status, alarm relay status, active redundancy, redundancy management, fiber port status and fiber port activity
Alarm relay			Detected power supply fault, detected Ethernet network fault, or detected communication port fault (1 A max. volt-free contact at 24 V $\overline{\text{---}}$)	
Reference			TCS ESM 043F23F0	TCS ESM 083F23F0

Specifications and references: 8 ports, twisted pair and fiber optic



Switches			Copper twisted pair and fiber optic, managed			
Interfaces	Copper cable ports	Number and type	7 x 10/100BASE-TX ports	6 x 10/100BASE-TX ports	7 x 10/100BASE-TX ports	6 x 10/100BASE-T ports
		Shielded connectors	RJ45			
		Medium	Shielded twisted pair, category CAT 5E			
		Total length of pair	100 m			
	Fiber optic ports	Number and type	1 x 100BASE-FX port	2 x 100BASE-FX ports	1 x 100BASE-FX port	2 x 100BASE-FX ports
		Connectors	Duplex SC			
		Medium	Multi-mode optical fiber		Single mode optical fiber	
		Length of optical fiber	50/125 μm fiber		–	
		62.2/125 μm fiber	4,000 m (1)		–	
		9/125 μm fiber	–		32,500 m (2)	
Attenuation analysis	50/125 μm fiber	8 dB		–		
	62.2/125 μm fiber	11 dB		–		
	9/125 μm fiber	–		16 dB		
Ethernet services	FDR, SMTP V3, SNMP client, multicast filtering for optimization of the Global Data protocol, configuration via Web access VLAN, IGMP Snooping, RSTP (<i>Rapid Scanning Tree Protocol</i>), priority port, data stream control, secure port					
Topology	Number of switches	Cascaded	Unlimited			
		Redundant in a ring	max. 50			
Redundancy	Redundant power supplies, redundant single ring, ring coupling					
Power supply	Voltage	Operation	9.6...60 V ~/18...30 V ~, safety extra low voltage (SELV)			
	Power consumption		6.5 W	7.3 W	6.5 W	7.3 W
	Removable connector		6-way			
Operating temperature	0...+60 °C					
Relative humidity	10...90% non condensing					
Degree of protection	IP 20					
Dimensions	W x H x D	74 x 131 x 111 mm				
Mounting	On symmetrical DIN rail, 35 mm wide					
Weight	0.410 kg					
Conformity to standards	IEC/EN 61131-2, IEC 61850-3, UL 508, UL 1604 Class 1 Division 2, CSA 22.2 No. 214 (cUL), CSA 22.2 No. 213 Class 1 Division 2 (cUL), CE, GL, C-Tick					
LED indicators	Power supply status, alarm relay status, active redundancy, redundancy management, fiber port status and fiber port activity					
Alarm relay	Detected power supply fault, detected Ethernet network fault, or detected communication port fault (1 A max. volt-free contact at 24 V ~)					
Reference			TCS ESM 083F1CU0	TCS ESM 083F2CU0	TCS ESM 083F1CS0	TCS ESM 083F2CS0

(1) Length dependent on the attenuation analysis and attenuation of the fiber optic (typical value: 2,000 m).

(2) Length dependent on the attenuation analysis and attenuation of the fiber optic (typical value: 15,000 m).

Specifications and references: 16 and 24 ports, twisted pair, fiber optic

Transparent
Ready.



Switches			Copper twisted pair, managed	Copper twisted pair and fiber optic, managed	
Interfaces	Copper cable ports	Number and type	16 x 10/100BASE-TX ports	14 x 10/100BASE-TX ports	22 x 10/100BASE-TX ports
		Shielded connectors	RJ45		
		Medium	Shielded twisted pair, category CAT 5E		
		Total length of pair	100 m		
	Fiber optic ports	Number and type	–	2 x 100BASE-FX ports	
		Connectors	–	Duplex SC	
		Medium	–	Multi-mode optical fiber	
		Length of optical fiber	–	–	
		50/125 µm fiber	–	5,000 m (1)	
		62.2/125 µm fiber	–	4,000 m (1)	
Ethernet services	Attenuation analysis	–	–		
	50/125 µm fiber	–	8 dB		
	62.2/125 µm fiber	–	11 dB		
	9/125 µm fiber	–	–		
Topology	Number of switches	Cascaded	Unlimited		
		Redundant in a ring	max. 50		
Redundancy			Redundant power supplies, redundant single ring, ring coupling		
Power supply	Voltage	Operation	9.6...60 V $\overline{\text{---}}$ /18...30 V \sim , safety extra low voltage (SELV)		
	Power consumption		9.4 W	11.8 W	15.5 W
	Removable connector		6-way		
Operating temperature			0...+ 60 °C		
Relative humidity			10... 90% non condensing		
Degree of protection			IP 20		
Dimensions		W x H x D	111 x 131 x 111 mm		
Mounting			On symmetrical DIN rail, 35 mm wide		
Weight			0.600 kg		0.650 kg
Conformity to standards			cUL 60950, UL 508 and CSA 22.2 No 142, UL 1604 and CSA 22.2 No 213 Class 1 Division 2, CE, GL, C-Tick		
LED indicators			Redundant power supplies, single ring	Redundant power supplies, single ring, double ring	
Alarm relay			Detected power supply fault, detected Ethernet network fault, or detected communication port fault (1 A max. volt-free contact at 24 V $\overline{\text{---}}$)		
Reference			TCS ESM 163F23F0	TCS ESM 163F2CU0	TCS ESM 243F2CU0

(1) Length dependent on the attenuation analysis and attenuation of the fiber optic (typical value: 2,000 m).

Specifications and references: 8 ports and 2 Gigabit ports, twisted pair, fiber optic



Switches			Copper twisted pair and fiber optic, managed			Copper twisted pair, managed		
Interfaces	Copper cable ports	Number and type	8 x 10/100BASE-TX ports			8 x 10/100BASE-TX ports and 2 x 10/100/1000BASE-TX ports (Gigabit)		
		Shielded connectors	RJ45					
		Medium	Shielded twisted pair, category CAT 5E					
		Total length of pair	100 m					
	Gigabit ports fiber optic (with SFP fiber module to be mounted on SFP connector)	Number and type	2 x 1000BASE-SX ports (1)	2 x 1000BASE-LH ports (2)	2 x 1000BASE-LX ports (3)	-		
		Connectors	LC			-		
		Medium	Multi-mode optical fiber	Single mode optical fiber	Single mode and multimode optical fiber	-		
		Length of optical fiber						
		50/125 μm fiber	550 m	-	550 m	-		
		62.2/125 μm fiber	275 m	-	550 m	-		
9/125 μm fiber	-	8 - 72,000 m	20,000 m	-				
Attenuation analysis	50/125 μm fiber	7.5 dB	-	11 dB	-			
	62.2/125 μm fiber	7.5 dB	-	11 dB	-			
	9/125 μm fiber	-	6 - 22 dB	11 dB	-			
Ethernet services	FDR, SMTP V3, SNMP client, multicast filtering for optimization of the Global Data protocol, configuration via Web access VLAN, IGMP Snooping, RSTP (<i>Rapid Scanning Tree Protocol</i>), priority port, data stream control, secure port							
Topology	Number of switches	Cascaded	Unlimited					
		Redundant in a ring	max. 50					
Redundancy	Redundant power supplies, redundant single ring, ring coupling							
Power supply	Voltage	Operation	9.6...60 V $\overline{\text{---}}$ /18...30 V \sim , safety extra low voltage (SELV)					
	Power consumption		8.9 W + 1 W per SFP fiber module			8.3 W		
	Removable connector		6-way					
Operating temperature	0...+60 °C							
Relative humidity	10...90% non condensing							
Degree of protection	IP 20							
Dimensions		W x H x D	111 x 131 x 111 mm					
Mounting	On symmetrical DIN rail, 35 mm wide							
Weight	0.410 kg							
Conformity to standards	cUL 60950, UL 508 and CSA 22.2 No. 142, UL 1604 and CSA 22.2 No. 213 Class 1 Division 2, C _E , GL							
LED indicators	Power supply status, alarm relay status, active redundancy, redundancy management, fiber port status and fiber port activity							
Alarm relay	Detected power supply fault, detected Ethernet network fault, or detected communication port fault (1 A max. volt-free contact at 24 V $\overline{\text{---}}$)							
Reference	TCS ESM 103F2LG0			TCS ESM 103F23G0				

(1) With **TCS EAA F1LFU00** fiber optic module to be ordered separately, see page 79.
(2) With **TCS EAA F1LFH00** fiber optic module to be ordered separately, see page 79.
(3) With **TCS EAA F1LFS00** fiber optic module to be ordered separately, see page 79.

Modicon™ Momentum™ automation platform

Concept™ programming software

Introduction

Concept™ software is a configuration and application programming tool for the Modicon™ Quantum™ and Modicon™ Momentum™ automation platforms. It is Windows™-based software that can be run on a standard PC. The configuration task can be carried out online (with the PC connected to the Quantum processor) or offline (PC only). Concept supports the configuration by recommending only permissible combinations. During online operation, the configured hardware is checked immediately for validity, and illegal statements are rejected.

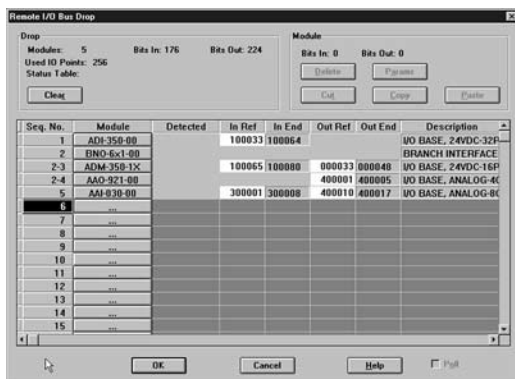
Concept editors support five IEC programming languages:

- Function Block Diagram (FBD) language
- Ladder (LD)
- Sequential Function Chart (SFC) and Grafcet language
- Instruction List (IL)
- Structured Text (ST)

Also supported is ladder logic (LL984) that is compatible with Modsoft™. IEC 61131-3 compliant data types are also available. With the data type editor, custom data types can be converted to and from the IEC data types.

The basic elements of the FBD programming language are functions and function blocks that can be combined to create a logical unit. The same basic elements are used in the LD programming language; LD provides contact and coil elements. The Grafcet SFC programming language (SFC) uses basic step, transition, connection, branch, join and jump elements. The IL and ST text programming languages use instructions, expressions, and key words. The LL984 programming language uses an instruction set and contact and coil elements.

Programs can be written in logical segments. A segment can be a functional unit, such as conveyor belt control. Only one programming language is used within a given segment. You build the control program, which the automation device uses to control the process, by combining segments within one program. Within the program, IEC segments (written in FBD, LD, SFC, IL and ST) can be merged. The LL984 segments are always processed as a block by the IEC segments. Concept's sophisticated user interface uses windows and menus for easy navigation. Commands can be selected and executed quickly and easily using a mouse. Context-sensitive help is available at each editing step.



PLC configuration

Variables for linking basic objects within one section are not required by the graphic programming languages (FBD, LD, SFC and LL984).

These wiring diagrams are managed by the system, which minimizes any configuration effort. Other variables, such as variables for data transfers between different sections, are configured with the variables editor. With the data type editor, custom data types can be derived from existing data types.

Functions

Concept™ software provides an editor for each programming language. These editors contain custom menus and tool bars. You can select the editor to be used as you create each program segment.

In addition to the language editors, Concept provides a data type editor, a variables editor and a reference data editor.

Function Block Diagram (FBD) language

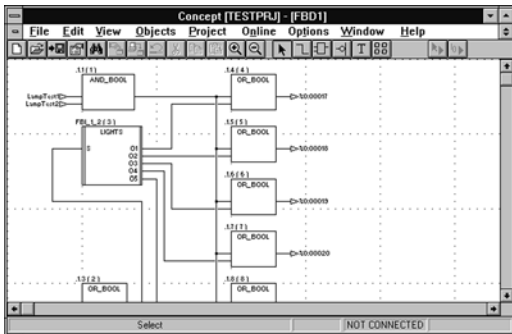
With the IEC 61131-3 function block diagram language, you can combine elementary functions, elementary function blocks (EFBs) and derived function blocks (known as FFBs) with variables in an FBD.

FFBs and variables can be commented. Text can be freely placed within the graphic. Many FFBs offer an option for input extensions.

Concept provides various block libraries with predefined EFBs for programming an FBD. EFBs are grouped in the libraries according to application types to facilitate the search.

In the FBD editor, you can display, modify and load initial values, and current values can be displayed. The CONT_CTL control library allows you to display animated diagrams of the FFBs and a graph of the current values.

For custom function blocks (DFBs), the Concept-DFB editor is used. In this editor, you can create your own function blocks from EFBs or existing DFBs. DFBs created in the FBD editor can be recalled in the LD, IL and ST editors, and DFBs created in the LD, IL and ST editors can be used in the FBD editor.



Ladder (LD)

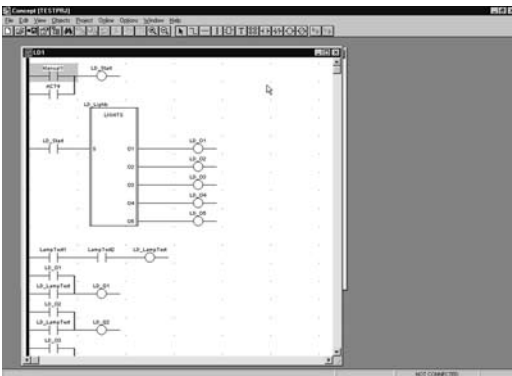
With the IEC 61131-3 ladder diagram language, you can build an LD program with elementary functions, function blocks and derived function blocks (known as FFBs), along with contacts, coils and variables. FFBs, contacts, coils and variables can be commented. Text can be freely placed within the graphic. Many FFBs offer an option for input extensions.

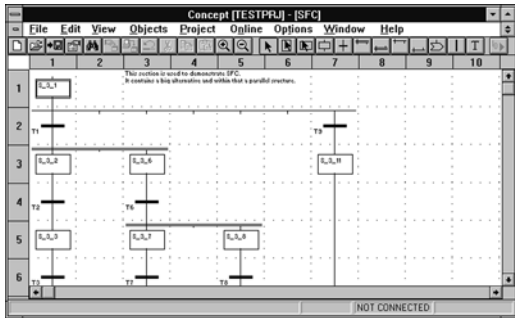
The structure of an LD segment corresponds to that of a current path for relay circuits. On its left side is a left bus bar, which corresponds to the phase (L conductor) of a current path. As with a current path, only the LD objects (contacts, coils) connected to a power supply (i.e., connected to the left bus bar) are processed in LD programming. The right bus bar, which corresponds to the neutral conductor, is not visible. However, coils and FFB outputs are internally connected to it to create a current flow.

The same EFB block libraries available for the FBD editor can be used in the LD editor to program a ladder diagram.

In the FBD editor, you can display, modify and load initial values; current values can be displayed. The CONT_CTL control library, for example allows you to display animated diagrams of the FFBs, along with a graph of the current values.

For custom function blocks (DFBs), the Concept-DFB editor is used. In this editor, you can create your own function blocks from EFBs or existing DFBs. DFBs created in the LD editor can be recalled in the FBD, IL and ST editors, and DFBs created in the FBD, IL and ST editors can be used in the LD editor.





Functions

Sequential Function Chart (SFC) language

With the IEC 61131-3 sequential function chart (SFC) language, you can define a series of SFC objects that comprise a control sequence. Steps, transitions and jumps in the sequence can be commented. Text can be freely placed within the graphics. You can assign any number of actions to every step. A series of monitoring functions – e.g., maximum and minimum monitoring time – can be integrated into each step’s specifications. The actions can be assigned an attribute symbol (as required by IEC) to control the action’s performance after it has been activated – e.g., a variable can be set to remain active after exiting.

Instruction List (IL)

With the IEC 61131-3 IL language, you can call entire functions and function blocks conditionally or unconditionally, execute assignments and make conditional and unconditional jumps within a program segment.

IL is a text-based language, and standard Windows™ word processing tools can be used to generate code. The IL editor also provides several word processing commands. Keywords, separators and comments are spell-checked automatically as they are entered. Detected errors are highlighted in color.

For custom function blocks (DFBs), the Concept™-DFB editor is used. In this editor, you can create your own function blocks from EFBs or existing DFBs. DFBs created in the IL editor can be recalled in the ST, LD, and FBD, DFBs created in the ST, LD, and FBD editors can be recalled in the IL editor.

Structured Text (ST)

With the IEC 61131-3 ST language, you can call function blocks, execute functions and assignments and conditionally execute and repeat instructions. The ST programming environment is similar to Pascal. IL is a text-based language, and therefore standard Windows word processing tools can be used to generate code. The ST editor also provides several word processing commands. Keywords, separators and comments are spell-checked automatically as they are entered. Detected errors are highlighted in color.

Custom function blocks (DFBs) created with the ST editor can be called in the IL, LD and FBD editors; DFBs created in the IL, LD and FBD editors can be used in the ST editor.

```

Structured Text Start
=====
TIMER : TON;
END_VAR

TIMER(IN := NOT pulse,
PT := t1s); (* Blink timer *)
pulse := TIMER.Q;

(* Count every pulse *)
IF pulse = 1 THEN
count := count + 1;
END_IF;
(* Animate lights according to count *)
CASE count OF
1: out1 := TRUE;
2: out2 := TRUE;
3: out3 := TRUE;
END_CASE
=====
Instruction List Start
=====
RUN_TIMER : TON; (* Blink timer *)
END_VAR

(* Default for the marker *)
LD run_light1
ST run_light

(* Create a 1.0 Hz. pulse *)
LD run_pulse
STN RUN_TIMER.IN
CAL RUN_TIMER(PT := t1s)
LD RUN_TIMER.ET
ST animatetimer
LD RUN_TIMER.Q
ST run_pulse
JNPN end (* No pulse *)
=====
    
```

Functions

Data type editor

The data type editor defines new derived data types. Any elementary data types and derived data types already existing in a project can be used for defining new data types. With derived data types, various block parameters can be transferred as one set. Within the program, this set is divided again into single parameters, processed, then output as either a parameter set or individual parameters. Derived data types are defined in text format, and standard Windows™ word processing tools can be used. The data type editor also provides several word processing commands.

Variables editor

The variables editor contains input options for:

- Variable type (located variable, unlocated variable, constant)
- Symbolic name
- Data type
- Direct address (explicit, if desired)
- Comments
- Identification as human-machine interface (HMI) variable for data exchange

Animation tables editor

In online mode, the reference data editor displays, forces and controls variables. The editor contains the following options:

- Default values for the variable
- Status display for the variable
- Various format definitions
- Ability to isolate the variable from the process

Functions

Libraries

IEC library

The IEC library contains the EFBs defined in IEC 61131-3 (calculations, counters, timers, etc).

Extended library

The extended library contains useful supplements to various libraries. It provides EFBs for mean value creation, maximum value selection, negation, triggering, converting, building a traverse with interpolation of the first order, edge detection and determination of the neutral range for process variables.

System library

The system library contains EFBs in support of system functions. It provides EFBs for cycle time detection, utilization of various system clocks, control of SFC sections and system status display.

CLC and CLC_PRO library

The Continuous Control library can be used to set up process-specific control loops. In particular, it offers controller, derivative and integral control functions. The CLC_PRO library contains the same EFBs as the CLC library along with data structures.

Communication library

The communication libraries of built-in function blocks provide easy integration of programs that allow communication between PLCs or HMI devices from within the PLC's application program. Like other function blocks, these EFBs can be used in any language to share data, or provide data to the HMI device for display to the operator.

Diagnostics library

The diagnostics library is used for troubleshooting the control program. It contains EFBs for action, reaction, interlocking, and process prerequisite diagnostics, along with signal monitoring.

LIB984 library

The LIB984 library provides common function blocks used in both the 984 ladder logic editor and the IEC languages. This allows for easy transition of portions of application code from the LL984 environment to the IEC environment.

Fuzzy logic library

The fuzzy library contains EFBs for fuzzy logic.

Analog I/O library

The ANA_IO library is used to process analog values.

Modicon™ Momentum™ automation platform

Concept™ programming software

References

Concept™ packages

Description	License type	Reference	Weight kg
Concept S Version 2.6	Single (1 station)	372 SPU 471 01 V26	–
Concept M Version 2.6	Single (1 station)	372 SPU 472 01 V26	–
Concept XL Version 2.6	Single (1 station)	372 SPU 474 01 V26	–
	Group (3 stations)	372 SPU 474 11 V26	–
	Team (10 stations)	372 SPU 474 21 V26	–
	Site (network)	372 SPU 474 31 V26	–
Concept EFB Toolkit Version 2.6	Single (1 station)	332 SPU 470 01 V26	–
HVAC Function Blocks Library	Site (network)	372 HVA 160 30V25	–

Concept maintenance and diagnostics packages

Description	License type	Reference	Weight kg
Concept Application Loader Version 2.6	Single (1 station)	372 SPU 477 01 V26	–

Concept Updates

Description	License type	Reference	Weight kg
Concept XL Version ●● to Concept XL V 2.6	Single (1 station)	372 ESS 474 01	–
	Group (3 stations)	372 ESS 474 03	–
	Team (10 stations)	372 ESS 474 10	–
	Site (network)	372 ESS 474 00	–
Concept S Version ●● to Concept S V 2.6	Single (1 station)	372 ESS 471 01	–
Concept M Version ●● to Concept M V 2.6	Single (1 station)	372 ESS 472 01	–
Modsoft™ version ●● to Concept XL V 2.6	Depends on number of users	372 ESS 485 01	–
Concept EFB Toolkit version ●● to version 2.6	–	372 ESS 470 01	–

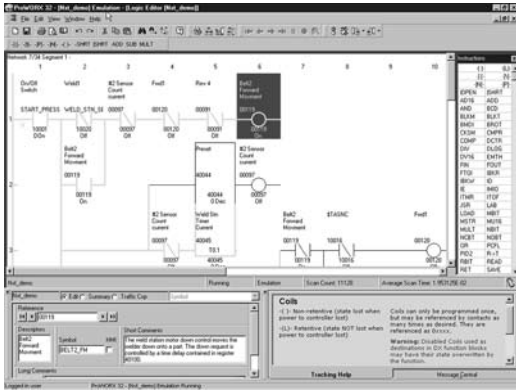
Concept Documentation

Description	Number of volumes	Reference (1)	Weight kg
Installation	1	840 USE 492 0●	–
Programming	3	840 USE 493 0●	–
Concept IEC Block library	13	840 USE 494 0●	–
Concept 984 LL Block Library	2	840 USE 496 0●	–
Concept EFB Tool User Manual	1	840 USE 495 01	–

(1) ● = Defines the documentation language: 0 English, 1 French, 2 German, and 3 Spanish.

Modicon™ Momentum™ automation platform

ProWORX™ 32 programming software



Introduction

ProWORX™ 32 LL984 programming software is a full-featured, Modicon™ Quantum™ and Modicon™ Momentum™ M1/M1E PLC programming software that is compatible with Windows platforms (98/NT/2000/XP). ProWORX 32 gives you the power to program your Modicon controllers online or offline, manage your I/O subsystems, and analyze your plant's activity in real time.

ProWORX 32 offers client-server functions for organizing groups and user rights, centralizing project backup, and serving as a bridge between design department and workshop. The project emulator makes it possible to test projects before executing them in a PLC operating environment, to help ensure optimal system effectiveness at all times.

Some of the new ProWORX 32 features include:

- **32-bit processing.** With 32-bit processing, ProWORX 32 is an even more powerful solution than its predecessors, ProWORX Plus and ProWORX NxT. 32-bit processing lets you utilize the power of state-of-the-art operating systems for optimal development and operational performance.
- **A comprehensive suite of tools.** ProWORX 32 provides everything you will need to start, configure, test and complete your project, quickly, reliably and professionally. And with its improved suite of standard utilities, ProWORX 32 is a virtual "one stop shop" for your Automation requirements. No more searching on the web for special features or functions, they're included to save you time and increase your productivity.
- **A high-performance offer.** In addition, ProWORX 32 will simplify and speed up your system development and commissioning time with powerful diagnostics, easier integration, and greater openness and flexibility.
- **Easier integration.** Using standard Microsoft components, ProWORX 32 opens up a wealth of user data. Import and export capabilities have been enhanced to provide a variety of integration options for HMI and third party devices, such as a built in "Alliance Tool" that allows users to create hardware profiles for newly developed devices. The profiles can even be sent electronically to Schneider Electric for inclusion in future ProWORX 32 releases.

Windows™ environment

The familiar Windows-based programming environment means you spend less time learning how to do things, and more time being productive. ProWORX uses familiar Windows features like user-defined screens, drag-and-drop, cut and paste, search, and global replace.

Conversion

484™ PLC code to 984™ PLC code in one step! The most flexible conversion tools available in the automation industry. That is the reputation ProWORX products have always enjoyed, and ProWORX 32 is no exception. With the ability to convert from older project databases to this latest tool, ProWORX 32 supports almost 30 years of PLC heritage.

Multiple projects

Imagine the time and effort you could save by testing a new project with an existing project while it is running live. Now you can with the Multiple Projects function of ProWORX 32, even with two PLCs running simultaneously! Perform diagnostic checks to validate interdependencies between your emulated project and your live applications, in real time, so you can go live with total confidence.

Intuitive register editor

A powerful analysis tool, the Data Watch Window shows you information from your plant in real time, or logs it to disk for in-depth historical analysis later on. Easily get the data you need to make informed, effective production decisions. View and edit data in full page display, see trends and track data points against time in a spreadsheet, and monitor any combinations of discrete and analog data.

Modicon™ Momentum™ automation platform

ProWORX™ 32 programming software

Introduction

I/O drawing generator

Save hours of painstaking effort with ProWORX™ 32's I/O Drawing Generator, that automatically creates wiring diagrams for the I/O cards defined in the Traffic Cop. Generate necessary drawings all at once, or just one card at a time. Simply select an address the I/O card uses with the Network Editor, then click the drawing button on the Hardware Back Referencing panel to display the diagram. If desired, save it as an AUTOCAD-compatible .DXF file or print it.

Network editor

With the Network Editor, ProWORX 32 reduces development time by using the same commands and instructions for every controller. Simply cut, copy, and paste networks from one platform to any other.

Program documentation

ProWORX is first-class software with high-quality program documentation. Use one of the many standard templates to get started, and progress to assemble your own custom documentation. For better references and easier-to-use documentation, we have provided annotation down to the "Bit" level to allow longer comments and more lines of text. Even simple things like using Windows O/S fonts to help eliminate printer issues demonstrates that every detail has been considered.

Realtime network status

Find the controller you need quickly and simplify network diagnostics with ProWORX 32's powerful Network Scan feature. Network Scan searches your Modbus or Modbus Plus networks, then identifies and graphically displays each device found – and shows its status.

Advanced I/O management

Ensure that the I/O card you are configuring in the software matches the one on your plant floor with ProWORX 32's graphical Traffic Cop. It displays I/O cards on your screen the same way they look in real life, which helps eliminate confusion. To place a card, just select it from the convenient drop down menu and then drag it into the controller slot you want. To save even more time, the Traffic Cop automatically associates the card's I/O points with a block of free addresses in your controller. Once configured, manage your I/O with Pro WORX 32's complete documentation tools, with references for each head, drop, rack, slot and address. And, the Traffic Cop's graphical display shows you at-a-glance that your I/O is healthy.

Modicon™ Momentum™ automation platform

ProWORX™ 32 programming software

Introduction

Client/Server Tools

ProWORX™ 32 allows projects to be developed in a collaborative environment without sacrificing control and security – by utilizing the ProWORX 32 server as the central repository for projects, the center for security, and the hub for communications. The system administrator has total control over user accounts, user groups, passwords, rights, and auditing policies and can grant access when and where needed.

The client/server relationship allows projects to be skillfully managed and controlled. The server can be used to keep “Master” versions of PLC projects for editing (subject to rights), while editing is achieved using the client. This can be done via a stand alone PC or even on the server, since both client and server can reside on the same PC.

The server has the capability to schedule software backups of the controller, detect software modifications, and store multiple versions. Even more powerful is the ability to communicate from the client to the server using either Ethernet TCP/IP or Modbus Plus™.

Project Emulator

The project emulator is a very powerful tool that will help save considerable time in the design and testing of your system. It provides the ability to test projects prior to running them in the PLC run-time environment to help ensure your system will run at peak efficiency immediately upon commissioning. Two emulators are provided that test interdependent projects. They are used to test communications, including: I/O polling and monitoring network activities between projects.

Material List Generation

Want a shopping list for your PLC equipment? The Material List Generation function automatically creates a list for the project, either online or offline, even taking into account the contents of the Traffic Cop. Add prices and comments once the list is generated, saving you time and insuring that required components are fully documented and identified.

Modicon™ Momentum™ automation platform

ProWORX™ 32 programming software

ProWORX³²

ProWORX™ Client/Server software					
ProWORX packages					
Description	Used with	License type	Reference	Weight kg	
ProWORX 32	Server	Single-station	372 SPU 780 01 PSEV	–	
	Client/Server Suite	Single-station	372 SPU 780 01 PSSV	–	
	Client, design/operation	Single-station	372 SPU 780 01 PDEV	–	
		Group (3 stations)	372 SPU 780 01 PSTH	–	
		Team (10 stations)	372 SPU 780 01 PSTE	–	
		Site	372 SPU 780 01 SITE	–	
	Run Time client	Single-station	372 SPU 781 01 PONL	–	
	ProWORX 32 Lite	Client, design/operation	Single-station	372 SPU 710 01 PLDV	–
			Group (3 stations)	372 SPU 710 01 PLTH	–
			Team (10 stations)	372 SPU 710 01 PLTE	–
ProWORX 32 Upgrades	Client	Single-station	372 SPU 784 01 LPUP	–	
		Additional multi-use	372 SPU 784 01 SEAT	–	
		Group (3 stations)	372 SPU 784 01 LPTH	–	
		Team (10 stations)	372 SPU 784 01 LPTE	–	
Documentation					
Description	Language	Reference	Weight kg		
ProWORX 32 programming manuals	English	372 SPU 780 01 EMAN	–		
	French	372 SPU 780 01 FMAN	–		
	German	372 SPU 780 01 DMAN	–		
	Spanish	372 SPU 780 01 SMAN	–		

Modicon™ Momentum™ automation platform

Aggressive environments protection
Optional conformal coating

Introduction

If your control system needs to operate in a corrosive environment, selected Modicon™ Momentum™ modules can be ordered with a conformal coating applied to components of the product. Conformal coating will extend the component's life and enhance its environmental performance capabilities.

Mixed flowing gas (power on)

Standard	Pollutant	Parts/billion	Modicon Momentum's performance
EIA 364-65 level III	Cl ₂	20 (±5)	Meets the standard
	NO ₂	200 (±50)	Exceeds standard (1250 parts/billion)
	H ₂ S	100 (±20)	Meets standard
ISA-S71.04 GX severe	Cl ₂	10	Exceeds standard (20 parts/billion)
	NO ₂	1250	Meets standard
	H ₂ S	50	Exceeds standard (100 parts/billion)
	SO ₂	300	Meets standard

Humidity (operating)

Standard	Concentration (%)	Modicon Momentum's performance
IEC-68-2-3	93 @ 60 °C (140 °F)	Meets standard

Salt mist (non-operating)

Standard	Concentration (%)	Modicon Momentum's performance
IEC 68-2-11	5 (±1)	Exceeds standard (5.7%)

Fungus resistance

Standard	Modicon Momentum's performance
MIL-I-46058C	Designed to meet standard

Temperature cycling (operating)

Standard	Cycles	Modicon Momentum's performance
IEC 68-2-14	100 @ 0...60 °C (32...140 °F)	Meets standard

Dust (non-operating)

Standard	Pollutant	Weight (%)	Modicon Momentum's performance
EIA 364-TP91 (pending)	Silica	36	Meets standard
	Calcite	29	Meets standard
	Iron oxide	12	Meets standard
	Alumina	8	Meets standard
	Gypsum	5	Meets standard
	Paper fiber	3	Meets standard
	Cotton fiber	3	Meets standard
	Polyester fiber	2	Meets standard
	Carbon black	1	Meets standard
	Human hair	0.5	Meets standard
	Cigarette ash	0.5	Meets standard

Modicon™ Momentum™ automation platform

Aggressive environments protection
Optional conformal coating

References

The following is a list of Modicon™ Momentum™ products that are available with optional conformal coating.

Note: Please note that a "C" is appended to the standard reference for those Modicon Momentum products.



170 ADI 300 00C

Discrete I/O bases						
Type of current	Input voltage	Modularity (no. of points)	Conformity EC 1131-2	Reference	Weight kg	
Discrete input bases	24 Vdc	16 (1 x 16)	Type 1	170 ADI 340 00C	0.190	
		32 (2 x 16)	Type 1	170 ADI 350 00C	0.200	
Type of current	Output voltage	Modularity (no. of points)	Current per output	Reference	Weight kg	
Discrete output bases solid state, protected	24 Vdc	16 (2 x 8)	0.5 A	170 ADO 340 00C	0.210	
		32 (2 x 16)	0.5 A	170 ADO 350 00C	0.210	
Type of current	Input voltage	Output voltage	Modularity Input	Outputs, current	Reference	Weight kg
Discrete I/O bases	24 Vdc	Type 24 Vdc protected solid state	16 I (1 x 16)	16 O (2 x 8) 0.5 A	170 ADM 350 10C	0.200
			16 I (4 x 4)	8 O (2 x 4) 2 A	170 ADM 370 10C	0.220
	1	24 Vdc Type 24/230 Vac relay	10 I (1 x 10)	8 O (2 x 4) 2 A	170 ADM 390 30C (1) 170 ADM 390 31C (2)	0.260



170 AAI 000 00C

Analog I/O bases					
Type	Number of channels	Ranges	Reference	Weight kg	
Analog inputs 2 bits + sign	16 single-ended	± 5 V, ± 10 V, 4-20 mA	170 AAI 140 00C	0.215	
Analog outputs 15 bits + sign	4, differential	Pt 100, Pt 1000, NI 100 thermocouples B, E, J, K, N, R, S, T	170 AAI 520 40C	0.215	
	8, differential	± 5 V, ± 10 V, 1-5 V ± 20 mA, 4-20 mA	170 AAI 030 00C	0.215	
Analog outputs 12 bits + sign	4	± 10 V, 4-20 mA	170 AAO 921 00C	0.215	
Type of discrete and analog I/O bases				Reference	Weight kg
Inputs		Outputs		170 AMM 090 00C	0.240
4 differential analog inputs	± 5 V, ± 10 V, 1-5 V	2 analog outputs	0-20 mA		
13 bits + sign	± 20 mA, 4-20 mA	12 bits	± 10 V		
4 discrete inputs	24 Vdc	2 discrete inputs	24 Vdc-0,5 A		



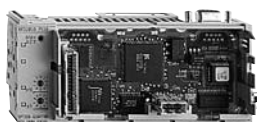
170 ENT 110 02C

Communication adapters			
Description	Specifications	Reference	Weight kg
Ethernet TCP/IP network	10 Mbit/s	170 ENT 110 02C	0.070
Modbus Plus™ network	IEC format, non-redundant	170 PNT 110 01C	0.070
	984 format, non-redundant	170 NEF 110 21C	0.070
FIPIO™ bus	Bus manager Premium	170 FNT 110 20C	0.070
INTERBUS™	Generation 3 (SUPI 2)	170 INT 110 00C	0.070
	Generation 4 (SUPI 3, version 2)	170 INT 110 03C	0.070
Profibus DP™	9,6 kbit/s...12 Mbit/s	170 DNT 110 00C	0.070



171 CCC 000 00

M1/M1E processor adapters				
Memories	Comm Port(s)	Clock Speed	Reference	Weight kg
256 Ko RAM, 256 Ko Flash	1 Modbus, 1 I/O Bus	32 MHz	171 CCS 760 00C	0.042
512 Ko RAM, 256 Ko Flash	1 Modbus, 1 I/O Bus	32 MHz	171 CCC 760 10C	0.042
544 Ko RAM, 512 Ko Flash	1 Ethernet, 1 I/O Bus	50 MHz	171 CCC 960 20C	0.042
544 Ko RAM, 1 Mo Flash, IEC Exec	1 Ethernet, 1 I/O Bus	50 MHz	171 CCC 960 30C	0.042

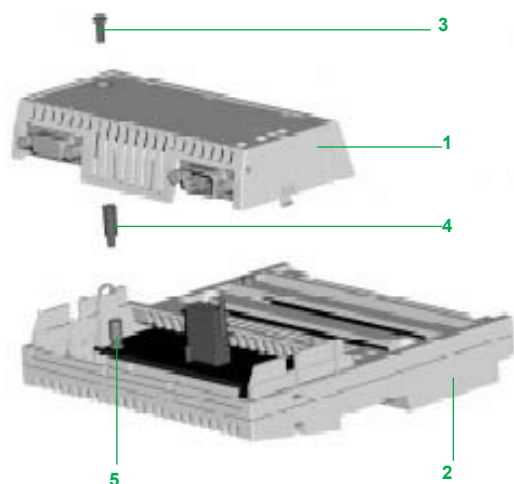


172 PNN 210 22C

Option adapters			
Memories		Reference	Weight kg
Modbus Plus network	Single port, Time-of-Day (TOD) and battery backup	172 PNN 210 22C	0.070
Modbus link	2 x RS 232/RS 485 ports, Time-of-Day (TOD) and battery backup	172 JNN 210 32C	0.070

(1) Operating voltage 24 Vdc.

(2) Output voltage 24 Vdc.



- 1 Communication adapter cover
- 2 I/O base
- 3 Standard screw M3-6
- 4 Male-female standoff
- 5 Added standoff

Modicon™ Momentum™ communication adapter ground screw

Due to new INTERBUS™ standards for electrical noise immunity, a number of Modicon™ Momentum™ products have been updated to include the enhanced grounding system, that is required to meet the revised electrical noise immunity standard (ability to pass a 2.2 kVdc electrical fast transient burst test).

This grounding system includes a ground screw located in the communication or M1/M1E processor adapter, that is connected to a fixed standoff-ground nut on the printed circuit board, and to a standoff on selected Modicon Momentum I/O bases.

Note: This electrical noise immunity requirement applies only to systems that requires InterBus certification, version 2, and not to any other communication network that Modicon Momentum I/O currently uses. The standard electrical fast transient test for Modicon Momentum is 500 Vdc.

The following is a list of the Modicon Momentum modules that currently have been updated to include the new grounding system:

- Communication adapters
- M1/M1E processor adapters and option adapters
- Discrete and analog I/O bases

References

Range	Description	Reference	See page
Communication adapters	Ethernet TCP/IP 10/100 Mbits/s (V2)	170 ENT 110 01	49
	Ethernet TCP/IP 10 Mbits/s (V1)	170 ENT 110 02	49
	INTERBUS™ SUP1 3 (V2)	170 INT 110 03	57
	FIPIO™ bus (for Premium) (V2)	170 FNT 110 01	55
M1/M1E processor adapters	64 K, 1 Modbus™, 20 MHz	171 CCS 700 00	68
	64 K, 1 Modbus, 32 MHz	171 CCS 700 10	68
	64 K, 2 Modbus, 20 MHz	171 CCS 780 00	68
	256 K, 1 Modbus, 1 I/O bus, 32 MHz	171 CCS 760 00	68
	512 K, 1 Modbus, 1 I/O bus, 32 MHz	171 CCC 760 10	68
	512 K, 2 Modbus, 32 MHz	171 CCC 780 10	68
	544 K, 1 Modbus, 1 Ethernet, 50 MHz	171 CCC 980 20	68
	544 K, 1 Ethernet, 1 I/O bus, 50 MHz	171 CCC 960 20	68
	544 K, IEC Exec, 1 Modbus, 1 Ethernet, 50 MHz	171 CCC 980 30	68
	544 K, IEC Exec, 1 Ethernet, 1 I/O bus, 50 MHz	171 CCC 960 30	68
Option adapters	Modbus Plus™, single port	172 PNN 210 22	75
	Modbus Plus, dual redundant ports	172 PNN 260 22	75
	RS 232/RS 485 serial port	172 JNN 210 32	75
Discrete input bases	24 Vdc 16 inputs	170 ADI 340 00	19
	24 Vdc 32 inputs	170 ADI 350 00	19
Discrete output bases	24 Vdc 16 solid state outputs 0.5 A	170 ADO 340 00	19
	24 Vdc 32 solid state outputs 0.5 A	170 ADO 350 00	19
	DC/AC 6 relay form "C" outputs 5 A	170 ADO 830 30	19
Discrete I/O bases	24 Vdc 16 inputs/16 outputs 0.5 A	170 ADM 350 10	19
	24 Vdc 16 fast inputs/16 outputs 0.5 A	170 ADM 350 11	19
	24 Vdc 16 inputs/16 outputs 0.5 A	170 ADM 350 15	19
	24 Vdc 16 inputs wiring check/12 outputs 0.5 A	170 ADM 390 10	19
	24 Vdc 16 inputs/8 outputs 2 A	170 ADM 370 10	19
	12...60 Vdc 16 inputs/16 outputs 0.5 A	170 ADM 850 10	19
	24 Vdc 10 inputs/AC or DC/8 relay 2 A	170 ADM 390 30	19
		170 ARM 390 31	19
	170 ARM 370 30	19	
Analog input bases	16 single-ended inputs 12 bits + sign	170 AAI 140 00	34
	8 differential inputs 15 bits + sign	170 AAI 030 00	34
Discrete and analog I/O bases	4 differential analog inputs/2 analog outputs	170 AMM 090 00	34
	4 discrete inputs/2 discrete outputs	170 AMM 090 01	34
	6 analog inputs/4 analog outputs	170 ANR 120 90	34
	8 discrete inputs/8 discrete outputs	170 ANR 120 91	34
Specialty I/O bases	High-speed counter base, 2 independant counters 200 kHz max.	170 AEC 920 00	42
	I/O base with Modbus RS 485 communication port and 120 Vac 6 inputs/3 outputs 0,5 A	170 ADM 540 80	42

Modicon™ Momentum™ automation platform

User documentation





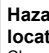
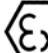

References			
Description	Language	Reference	Weight kg
Modicon™ Momentum™ I/O bases user guide	English	870 USE 002 00	–
	French	870 USE 002 01	–
	German	870 USE 002 02	–
	Spanish	870 USE 002 03	–
High-Speed counter base (170 AEC 920 00) user guide	English	870 USE 008 00	–
	French	870 USE 008 01	–
	German	870 USE 008 02	–
M1/M1E processor adapters and option adapter user guide	English	870 USE 101 10	–
	French	870 USE 101 11	–
	German	870 USE 101 12	–
	Spanish	870 USE 101 13	–
INTERBUS™ communication adapters user guide	English	870 USE 010 00	–
	French	870 USE 010 01	–
	German	870 USE 010 02	–
	Spanish	870 USE 010 03	–
INTERBUS communication adapter user guide	English	870 USE 003 00	–
	French	870 USE 003 01	–
Profibus DP™ communication adapter user guide (includes the GSD configuration software on 3.5" disk)	English	870 USE 004 00	–
	French	870 USE 004 01	–
	German	870 USE 004 02	–
Modbus Plus™ communication adapter, 170 PNT Series user guide	English	870 USE 103 00	–
	French	870 USE 103 01	–
	German	870 USE 103 02	–
Modbus Plus communication adapter, 170 NEF Series user guide	English	870 USE 111 00	–
FIPIO™ communication adapter (170 FNT 110 00) user guide	English	870 USE 005 00	–
	French	870 USE 005 01	–
	German	870 USE 005 02	–
	Spanish	870 USE 005 03	–
FIPIO communication adapter (170 FNT 110 01) user guide	English	870 USE 105 00	–
	French	870 USE 105 01	–
	German	870 USE 105 02	–
	Spanish	870 USE 105 03	–
FIPIO Bus / FIPway™ network reference manual	English	TSX DR FIP E	–
	French	TSX DR FIP F	–
	German	TSX DR FIP G	–
	Spanish	TSX DR FIP S	–
Modbus Plus network planning and installation guide	English	890 USE 100 00	–
	French	890 USE 100 01	–
	German	890 USE 100 02	–
	Spanish	890 USE 100 03	–
Modbus Plus network BM85 bridge multiplexer user guide	English	890 USE 103 00	–
Ethernet TCP/IP network 10BASE-T and 100BASE-TX	English	490 USE 133 00	–
	French	490 USE 133 01	–
	German	490 USE 133 02	–
	Spanish	490 USE 133 03	–
Modbus/TCP/IP Ethernet communication adapter user guide	English	870 USE 114 00	–
	French	870 USE 114 01	–
	German	870 USE 114 02	–
	Spanish	870 USE 114 03	–
XMIT Function Block version 3.0 user guide	English	840 USE 113 00	–

In some countries, certification of certain electrical components is enforced by law. A standard conformity certificate is then issued by the official organization. Each certified product must carry approval symbols when enforced. Use on board merchant navy vessels generally requires prior approval (= certification) of an electrical device by certain marine classification authorities.

Key	Certification body	Country
CSA	Canadian Standards Association	Canada
C-Tick	Australian Communication Authority	Australia
GOST	Gost Standard Scientific Research Institute	C.I.S., Russia
UL	Underwriters Laboratories	USA
Key	Classification authority	Country
IACS	International Association of Classification Societies	International
ABS	American Bureau of Shipping	USA
BV	Bureau Veritas	France
DNV	Det Norske Veritas	Norway
GL	Germanischer Lloyd	Germany
LR	Lloyd's Register	United Kingdom
RINA	Registro Italiano Navale	Italy
RMRS	Russian Maritime Register of Shipping	C.I.S.

The table below shows the situation as of 01/03/2008 for certifications obtained or pending from organizations for base PLCs. An overview of certificates for Schneider Electric products is available on our web site: www.schneider-electric.us

Product certifications

	Approvals						
	 UL USA	 CSA Canada	 ACA Australia	 GOST CIS, Russia	 Hazardous locations Class I, Div 2 (1)	 ATEX Europe	 TUV Rheinland
Modicon™ OTB							
Modicon™ STB					FM	Cat 3 G	
Modicon™ Telefast™ ABE 7							
ConneXium™					(2)		
Magelis™ iPC™, Magelis™ XBT GTW	(3)				UL		
Magelis™ XBT GT					CSA/UL	Cat 3 G-D	
Magelis™ XBT GK							
Magelis™ XBT F/FC/HM/PM							
Magelis™ XBT N/R					CSA/UL	Cat 3 G-D	
Magelis™ XBT RT					CSA/UL		
Modicon™ M340™					CSA		
Modicon™ Momentum™							
Modicon™ Premium™				(2)	CSA		
Modicon™ Quantum™				(2)	FM (2)		
Modicon™ Quantum™ Safety				(2)	CSA		SIL3 (4)
Modicon™ TSX Micro™							
Phaseo™	(3) (5)						
Twido™	(6)	(6)			CSA/UL (6)		

(1) Hazardous locations: UL 1604, CSA 22.2 no. 213 or FM 3611, certified products are acceptable for use in hazardous locations of Class I, division 2, groups A, B, C, D or unclassified only.

(2) Depending on product, consult our web site: www.schneider-electric.us

(3) cULus North American certification (Canada and USA).

(4) Certified for use in applications up to and including SIL3 according to IEC 61508.








(5) Except Universal power supplies and Function modules: UL certification pending.

(6) Except TWD NOI 10M3 AS-Interface module, only CE.

Local certifications

BG	Germany	TSX DPZ 10D2A safety module (Modicon™ TSX Micro™ PLC). TSX PAY 262/282 safety modules (Modicon Premium™ PLC).
SIMTARS	Australia	Modicon TSX Micro automation platform Modicon Premium automation platform (PL7)
AS-Interface	Europe	TWD NOI 10M3 master module (Twido™ PLC). TSX SAZ 10 master module (Modicon TSX Micro). TSX SAY 1000 master modules (Modicon Premium).

Marine classification

	Marine classification authorities						
							
	ABS USA	BV France	DNV Norway	GL Germany	LR UK	RINA Italy	RMRS C.I.S.
Modicon™ OTB							
Modicon™ STB	(1)						
Modicon™ Telefast™ ABE 7							
ConneXium™				(2)			
Magelis iPC™							
Magelis iPC™, Magelis™ XBT GTW	(2)	(2)	(2)	(2)	(2)	(2)	
Magelis™ XBT GK							
Magelis™ XBT F/FC/HM/PM							
Magelis™ XBT N/R		(2)	(2)	(2)		(2)	
Magelis™ XBT RT							
Modicon™ M340							
Modicon™ Momentum™							
Modicon™ Premium™ (3)	(2)	(2)	(2)	(2)	(2)	(2)	(2)
Modicon™ Quantum™				(2)		(2)	
Modicon™ TSX Micro™							
Phaseo™							
Twido™			(4)	(4)	(4)		

(1) Also meets US Navy requirements, **ABS-NRV part 4**.
 (2) Depending on product, consult our web site: www.schneider-electric.us.
 (3) Modicon™ Premium™ PLC, also **KRS (Korean register of Shipping)** certified.
 (4) Exceptions: compact bases **TWD LC●● 40DRF**, Extreme base **TWD LEDCK1**, I/O module **TWD DAI 8DT**, analog I/O modules **TWD AMI 2LT/4LT/8HT**, **TWD ARI 8HT**, **TWD AVO 2HT**, **TWD AMM 6HT**, communication modules **499 TWD 01100**, **TWD NCO1M**, **TWD NOI 10M3** and taps **TWD XCA ISO/T3RJ**.

Community regulations

European directives

The opening of European markets implies a harmonization of regulations in the various European Union member states. European Directives are documents used to remove obstacles to the free movement of goods and their application is compulsory in the European Union. Member states are obliged to transcribe each Directive into their national legislation and, at the same time, to withdraw any conflicting regulations. The Directives, particularly those of a technical nature, only set objectives, called "general requirements". The manufacturer must take necessary measures to help ensure that his products conform to the requirements of each Directive relating to his equipment. As a general rule, the manufacturer affirms that his product conforms to the necessary requirements of the Directive(s) by applying the CE label to his product. The CE marking is applied to Schneider-electric products where relevant.

The significance of CE marking

- The CE marking on a product means that the manufacturer certifies that this product conforms to the relevant European Directives. It is necessary so that a product subject to a Directive(s) can be marketed and freely moved within the European Union.
- The CE marking is intended solely for the national authorities responsible for market regulation.

For electrical equipment, conformity of the product to standards indicates that it is suitable for use.

- One or more Directives, as appropriate, may apply to our products, in particular:
- The Low Voltage Directive 2006/95/EC
 - The Electromagnetic Compatibility Directive 89/336/EEC, amended by Directives 2004/108/EC
 - Directive CE ATEX 94/9/EC

0			
043 509 383		53, 75	
1			
110 XCA 203 00		69, 75	
110 XCA 204 00		69, 75	
110 XCA 282 01		69, 75	
110 XCA 282 02		69, 75	
110 XCA 282 03		69, 75	
170 AAI 030 00		34, 102	
170 AAI 030 00C		101	
170 AAI 140 00		34, 102	
170 AAI 140 00C		101	
170 AAI 520 40		34	
170 AAI 520 40C		101	
170 AAO 120 00		34	
170 AAO 921 00		34	
170 AAO 921 00C		101	
170 ADI 340 00		19, 102	
170 ADI 340 00C		101	
170 ADI 350 00		19, 102	
170 ADI 350 00C		101	
170 ADI 540 50		19	
170 ADI 740 50		19	
170 ADM 350 10		19, 102	
170 ADM 350 10C		101	
170 ADM 350 11		19, 102	
170 ADM 350 15		19, 102	
170 ADM 370 10		19, 102	
170 ADM 370 10C		101	
170 ADM 390 10		19, 102	
170 ADM 390 30		19, 102	
170 ADM 390 30C		101	
170 ADM 390 31		102	
170 ADM 390 31C		101	
170 ADM 540 80		42, 102	
170 ADM 690 51		19	
170 ADM 850 10		19, 102	
170 ADO 340 00		19, 102	
170 ADO 340 00C		101	
170 ADO 350 00		19, 102	
170 ADO 350 00C		101	
170 ADO 530 50		19	
170 ADO 540 50		19	
170 ADO 730 50		19	
170 ADO 740 50		19	
170 ADO 830 30		19	
170 ADO 830 30		102	
170 AEC 920 00		42, 102	
170 AMM 090 00		34, 102	
170 AMM 090 00C		101	
170 AMM 090 01		34, 102	
170 ANR 120 90		34, 102	
170 ANR 120 91		34, 102	
170 ARM 370 30		19, 102	
170 ARM 390 31		19	
170 BDM 090 00		19, 35	
170 BNO 671 01		57	
170 BSM 016 00		19	
170 DNT 110 00		59	
170 DNT 110 00C		101	
170 ENT 110 01		49, 102	
170 ENT 110 02		49, 102	
170 ENT 110 02C		101	
170 FNT 110 00		55	
170 FNT 110 01		55, 102	
170 FNT 110 20C		101	
170 INT 110 00		57	
170 INT 110 00C		101	
170 INT 110 03		57, 102	
170 INT 110 03C		101	
170 MCI 007 00		57	
170 MCI 020 10		75	
170 MCI 020 36		75	
170 MCI 020 80		75	
170 MCI 021 10		53	
170 MCI 021 20		53, 75	
170 MCI 021 36		53	
170 MCI 021 80		53, 75	
170 MCI 041 10		75	
170 MCI 100 01		57	
170 NEF 110 21		53	
170 NEF 110 21C		101	
170 NEF 160 21		53	
170 PNT 110 01C		101	
170 PNT 110 20		53	
170 PNT 160 20		53	
170 XCP 100 00		57	
170 XCP 200 00		19, 35	
170 XTS 001 00		19, 35	
170 XTS 002 00		19, 35	
170 XTS 003 01		19, 35	
170 XTS 004 01		19, 35	
170 XTS 005 01		19, 35	
170 XTS 006 01		19, 35	
170 XTS 007 01		19, 35	
170 XTS 008 01		19, 35	
170 XTS 009 00		57	
170 XTS 020 00		53, 75	
170 XTS 021 00		53, 69, 75	
170 XTS 022 00		75	
170 XTS 040 00		69, 75	
170 XTS 041 00		75	
170 XTS 042 00		75	
170 XTS 100 00		19, 35, 42, 59	
170 XTS 120 00		19	
171 CCC 760 10		68, 102	
171 CCC 760 10C		101	
171 CCC 780 10		68, 102	
171 CCC 960 20		68, 102	
171 CCC 960 20C		101	
171 CCC 960 30		68, 102	
171 CCC 960 30C		101	
171 CCC 980 20		68, 102	
171 CCC 980 30		68, 102	
171 CCS 700 00		68, 102	
171 CCS 700 10		68, 102	
171 CCS 760 00		68, 102	
171 CCS 760 00C		101	
171 CCS 780 00		68, 102	
172 JNN 210 32		75, 102	
172 JNN 210 32C		101	
172 PNN 210 22		75, 102	
172 PNN 210 22C		101	
172 PNN 260 22		75, 102	
3			
332 SPU 470 01 V26		95	
372 ESS 470 01		95	
372 ESS 471 01		95	
372 ESS 472 01		95	
372 ESS 474 00		95	
372 ESS 474 01		95	
372 ESS 474 03		95	
372 ESS 474 10		95	
372 ESS 485 01		95	
372 HVA 160 30 V25		95	
372 SPU 471 01 V26		95	
372 SPU 472 01 V26		95	
372 SPU 474 01 V26		95	
372 SPU 474 11 V26		95	
372 SPU 474 21 V26		95	
372 SPU 474 31 V26		95	
372 SPU 477 01 V26		95	
372 SPU 710 01 PLDV		99	
372 SPU 710 01 PLTE		99	
372 SPU 710 01 PLTH		99	
372 SPU 780 01 DMAN		99	
372 SPU 780 01 EMAN		99	
372 SPU 780 01 FMAN		99	
372 SPU 780 01 PDEV		99	
372 SPU 780 01 PSEV		99	
372 SPU 780 01 PSSV		99	
372 SPU 780 01 PSTE		99	
372 SPU 780 01 PSTH		99	
372 SPU 780 01 SITE		99	
372 SPU 780 01 SMAN		99	
372 SPU 781 01 PONL		99	
372 SPU 784 01 LPTE		99	
372 SPU 784 01 LPTH		99	
372 SPU 784 01 LPUP		99	
372 SPU 784 01 SEAT		99	
4			
424 244 739		69, 75	
490 NAA 271 01		53, 75	
490 NAA 271 02		53, 75	
490 NAA 271 03		53, 75	
490 NAA 271 04		53, 75	
490 NAA 271 06		53, 75	
490 NAB 000 10		53	
490 NAD 911 03		59	
490 NAD 911 04		59	
490 NAD 911 05		59	
490 NOC 000 05		79	
490 NOR 000 03		79	
490 NOR 000 05		79	
490 NOT 000 05		79	
490 NTC 000 05		78	
490 NTC 000 05U		78	
490 NTC 000 15		78	
490 NTC 000 40		78	
490 NTC 000 40U		78	
490 NTC 000 80		78	
490 NTC 000 80U		78	
490 NTW 000 02		78	
490 NTW 000 02U		78	
490 NTW 000 05		78	
490 NTW 000 05U		78	
490 NTW 000 12		78	
490 NTW 000 12U		78	
490 NTW 000 40		78	
490 NTW 000 40U		78	
490 NTW 000 80		78	
490 NTW 000 80U		78	
490 USE 133 00		103	
490 USE 133 01		103	
490 USE 133 02		103	
490 USE 133 03		103	
499 NEH 104 10		80	
499 NES 181 00		82	
499 NMS 251 01		84	
499 NMS 251 02		84	
499 NSS 251 01		84	
499 NSS 251 02		84	
499 NTR 101 00		81	
8			
840 USE 113 00		103	
840 USE 492 0-		95	
840 USE 493 0-		95	
840 USE 494 0-		95	
840 USE 495 01		95	
840 USE 496 0-		95	
870 USE 002 00		42, 103	
870 USE 002 01		103	
870 USE 002 02		103	
870 USE 002 03		103	
870 USE 003 00		103	
870 USE 003 01		103	
870 USE 004 00		103	
870 USE 004 01		103	
870 USE 004 02		103	
870 USE 005 00		103	
870 USE 005 01		103	
870 USE 005 02		103	
870 USE 005 03		103	
870 USE 008 00		42, 103	
870 USE 008 01		103	
870 USE 008 02		103	
870 USE 010 00		103	
870 USE 010 01		103	
870 USE 010 02		103	
870 USE 010 03		103	
870 USE 101 10		103	
870 USE 101 11		103	
870 USE 101 12		103	
870 USE 101 13		103	
870 USE 103 00		103	
870 USE 103 01		103	
870 USE 103 02		103	
870 USE 105 00		103	

870 USE 105 01	103	TCS ESM 103F2LG0	89
870 USE 105 02	103	TCS ESM 043F23F0	86
870 USE 105 03	103	TCS ESM 083F1CS0	87
870 USE 111 00	103	TCS ESM 083F1CU0	87
870 USE 114 00	103	TCS ESM 083F23F0	86
870 USE 114 01	103	TCS ESM 083F2CS0	87
870 USE 114 02	103	TCS ESM 083F2CU0	87
870 USE 114 03	103	TCS ESM 163F23F0	88
890 USE 100 00	103	TCS ESM 163F2CU0	88
890 USE 100 01	103	TCS ESM 243F2CU0	88
890 USE 100 02	103	TCS ESU 033FN0	83
890 USE 100 03	103	TCS ESU 043F1N0	83
890 USE 103 00	103	TCS ESU 051F0	82
9		TCS ESU 053FN0	83
900 NAD 211 10	53, 75	TSX DR FIP E	103
990 NAD 211 30	53, 75	TSX DR FIP F	103
990 NAD 218 10	53	TSX DR FIP G	103
990 NAD 218 30	53	TSX DR FIP S	103
990 NAD 219 10	53	TSX FP ACC 12	55
990 NAD 219 30	53	TSX FP ACC 14	55
990 NAD 230 00	53, 75	TSX FP ACC 2	55
990 NAD 230 10	53, 75	TSX FP ACC 4	55
990 NAD 230 11	53, 75	TSX FP CC 100	55
990 NAD 230 20	53	TSX FP CC 200	55
990 NAD 230 21	53	TSX FP CC 500	55
990 NAD 230 22	53	TSX IBS CA 100	57
A		TSX IBS CA 400	57
AS MBKT 085	53, 75	TSX PBS CA 100	59
AS MBKT 185	75	TSX PBS CA 400	59
C		X	
CER 001	19, 35	XZC C12 FCM 50B	79, 82
K		XZC C12 FDM 50B	79, 82
KAB 3225 LI	57	XZC P1164L2	79, 82
KAB PROFIB	59	XZC P1164L5	79, 82
T		XZC P1264L2	79, 82
TCS EAA F11F13F00	79	XZC P1264L5	79, 82
TCS EAA F1LFH00	79		
TCS EAA F1LFS00	79		
TCS EAA F1LFU00	79		
TCS EAM 0100	79		
TCS ECL 1M1M 10S2	79		
TCS ECL 1M1M 1S2	79		
TCS ECL 1M1M 25S2	79		
TCS ECL 1M1M 3S2	79		
TCS ECL 1M1M 40S2	79		
TCS ECL 1M3M 10S2	79		
TCS ECL 1M3M 1S2	79		
TCS ECL 1M3M 25S2	79		
TCS ECL 1M3M 3S2	79		
TCS ECL 1M3M 40S2	79		
TCS ECN 300R2	78		
TCS EK1 MDRS	78		
TCS EK3 MDS	78		
TCS ESM 043F1CS0	85		
TCS ESM 043F1CU0	85		
TCS ESM 043F2CS0	85		
TCS ESM 043F2CU0	85		
TCS ESM 103F23G0	89		

Schneider Electric USA, Inc.

8001 Knightdale Blvd.
Knightdale, NC 27545
Tel: 919-266-3671

Schneider Electric Canada

19 Waterman Avenue
Toronto, Ontario M4B 1Y2
Tel: 416-752-8020

<http://www.schneider-electric.us/>

The information and dimensions in this catalog are provided for the convenience of our customers. While this information is believed to be accurate, Schneider Electric reserves the right to make updates and changes without prior notification and assumes no liability for any errors or omissions.

Design: Schneider Electric
Photos: Schneider Electric



2011

Modicon™ Momentum™ automation platform

Schneider
Electric