

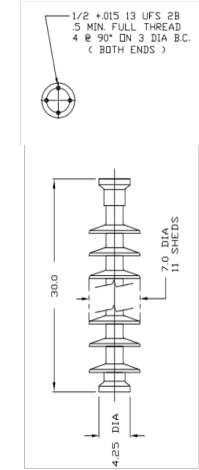
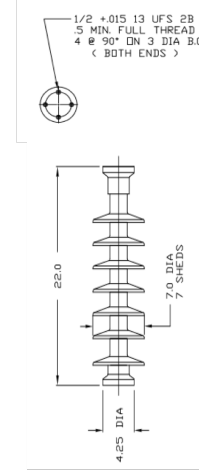
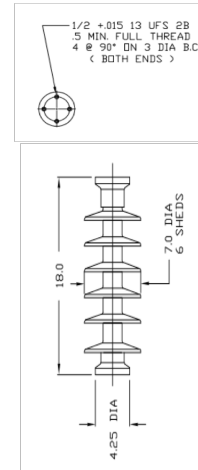
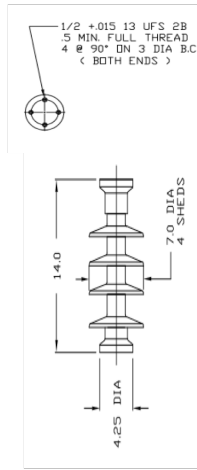
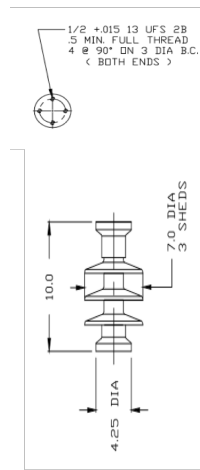
STATION POST INSULATORS

for 15 kV Applications & Above

Experience & Reliability



Polymer Station Post Characteristics - 110kV to 350kV BIL

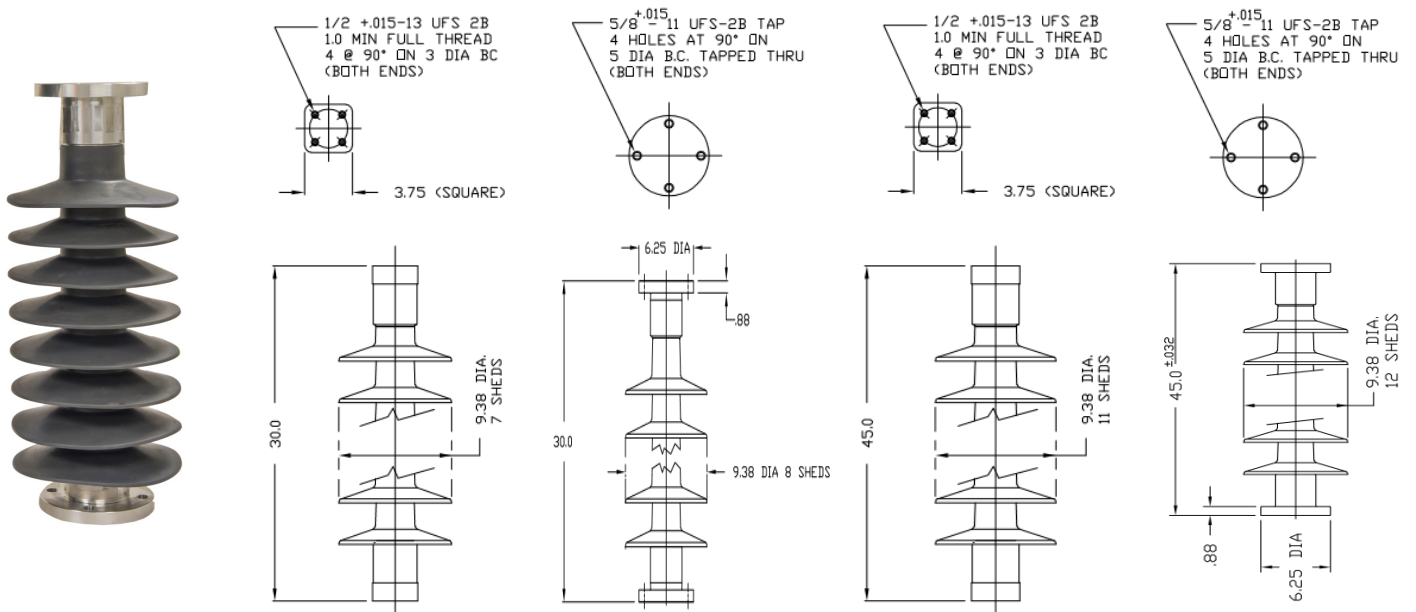


Catalog Number	233460-3001	232686-3001	232685-3001	233192-3001	233187-3001
BIL kV	110	150	200	250	350
Technical Reference Equivalent	205	208	210	214	216
Height Inches (mm)	10 (254)	14 (356)	18 (457)	22 (559)	30 (762)
Leakage Distance In (mm)	17.5 (445)	27 (685)	40 (1015)	49 (1240)	76 (1930)
Wet 60Hz Withstand kV	45	80	120	150	230
Cantilever Strength lbs. (kN)	3710 (16.5)	2390 (10.67)	1750 (7.78)	1390 (6.23)	980 (4.369)
Tension Strength lbs (kN)	10000 (44.5)	10000 (44.5)	10000 (44.5)	10000 (44.5)	10000 (44.5)
Compression Strength lbs. (kN)	15,000 (66.7)	10000 (44.5)	15,000 (66.7)	15,000 (66.7)	15,000 (66.7)
Torsion Strength in-lbs (N-m)	3000 (339)	3000 (339)	3000 (339)	3000 (339)	3000 (339)
Number of Weathersheds	3	4	6	7	11
Bolt Circle in (mm)	3 (76)	3 (76)	3 (76)	3 (76)	3 (76)
Net Weight lbs (kg)	13.5 (6.2)	22.5 (10.2)	25 (11.3)	28 (12.7)	33 (15.0)

STATION POSTS



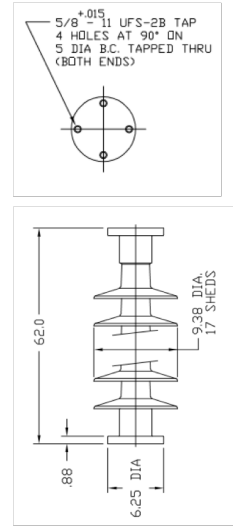
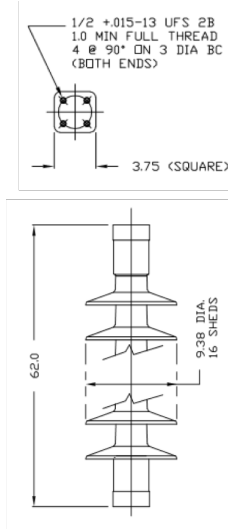
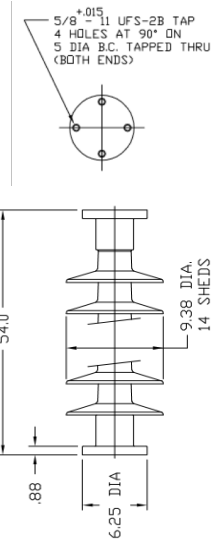
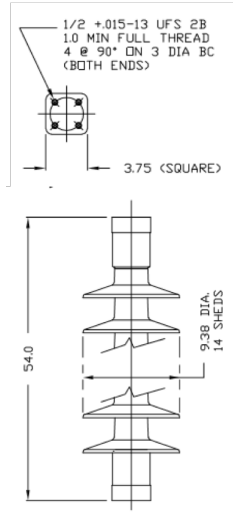
Polymer Station Post Characteristics - 350kV to 550kV BIL



Catalog Number	232301-3001	232336-3001	232199-3001	232337-3001
BIL kV	350	350	550	550
Technical Reference Equivalent	-	278	-	286
Height Inches (mm)	30 (762)	30 (762)	45 (1143)	45 (1143)
Leakage Distance In (mm)	63 (1600)	64 (1626)	102 (2590)	109 (2770)
Wet 60Hz Withstand kV	190	190	300	320
Cantilever Strength lbs. (kN)	1400 (6.23)	2900 (12.90)	930 (4.14)	1850 (8.23)
Tension Strength lbs (kN)	30,000 (133)	30,000 (133)	30,000 (133)	30,000 (133)
Compression Strength lbs. (kN)	50,000 (222)	50,000 (222)	50,000 (222)	50,000 (222)
Torsion Strength in-lbs (N-m)	9000 (1017)	9000 (1017)	9000 (1017)	9000 (1017)
Number of Weathersheds	7	8	11	12
Bolt Circle in (mm)	3 (76)	5	3 (76)	5
Net Weight lbs (kg)	30 (13.6)	30 (13.6)	42 (19.0)	42 (19.0)



Polymer Station Post Characteristics - 650kV to 750kV BIL

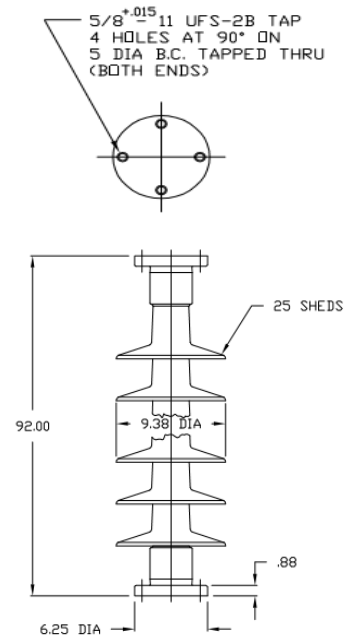
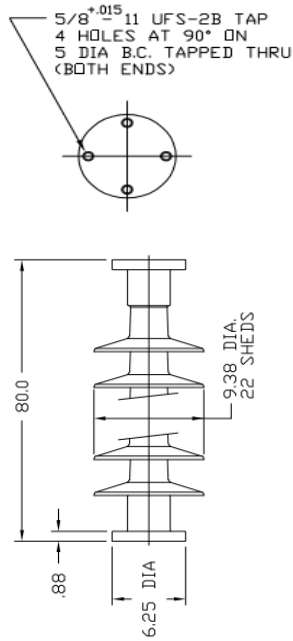


Catalog Number	232300-3001	232338-3001	232309-3001	232339-3001
BIL kV	650	650	750	750
Technical Reference Equivalent	-	288	-	291
Height Inches (mm)	54 (1372)	54 (1372)	62 (1575)	62 (1575)
Leakage Distance In (mm)	128 (3250)	130 (3300)	148 (3760)	156 (3960)
Wet 60Hz Withstand kV	380	380	430	450
Cantilever Strength lbs. (kN)	770 (3.42)	1520 (6.76)	670 (2.98)	1310 (5.83)
Tension Strength lbs (kN)	30,000 (133)	30,000 (133)	30,000 (133)	30,000 (133)
Compression Strength lbs. (kN)	50,000 (222)	50,000 (222)	50,000 (222)	50,000 (222)
Torsion Strength in-lbs (N-m)	9000 (1017)	9000 (1017)	9000 (1017)	9000 (1017)
Number of Weathersheds	14	14	16	17
Bolt Circle in (mm)	3 (76)	5 (127)	3 (76)	5 (127)
Net Weight lbs (kg)	51 (23.0)	51 (23.0)	54 (24.5)	54 (24.5)

STATION POSTS



Polymer Station Post Characteristics - 900kV to 1050kV BIL

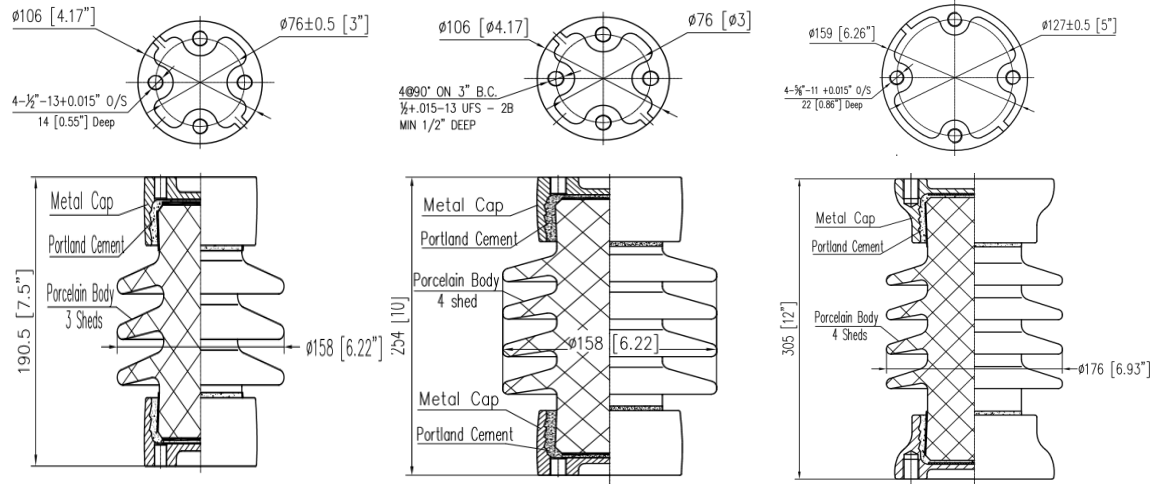


Catalog Number	232375-3001	232638-3001
BIL kV	900	1050
Technical Reference Equivalent	304	312
Height Inches (mm)	80 (2032)	92 (2337)
Leakage Distance In (mm)	204 (5180)	241 (6121)
Wet 60Hz Withstand kV	560	640
Cantilever Strength lbs. (kN)	990 (4.45)	860 (3.83)
Tension Strength lbs (kN)	30,000 (133)	30,000 (133)
Compression Strength lbs. (kN)	35,000 (156)	3,350 (14.9)
Torsion Strength in-lbs (N-m)	9000 (1017)	9000 (1017)
Number of Weathersheds	22	25
Bolt Circle in (mm)	5 (127)	5 (127)
Net Weight lbs (kg)	72 (32.7)	83.4 (37.8)

STATION POSTS



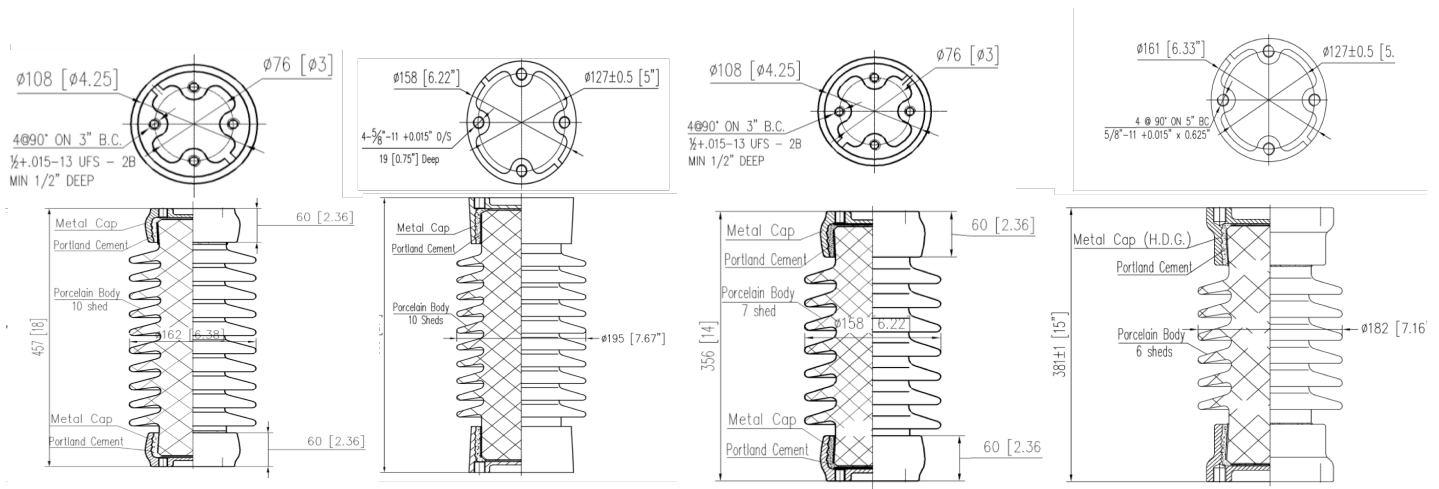
Porcelain Station Post Characteristics - 95kV to 110kV BIL



Catalog Number	PSP202-3001	PSP222-3002	PSP205-3001	PSP225-3002
BIL kV	95	95	110	110
Technical Reference Equivalent	TR-202	TR-222	TR-205	TR-225
Height Inches (mm)	7-1/2" (190)	10 (254)	10 (254)	12 (305)
Leakage Distance In (mm)	10.5 (267)	10.5 (267)	15.5 (394)	15.5 (394)
Wet 60Hz Withstand kV	30	30	45	45
Cantilever Strength lbs. (kN)	2000 (8.9)	4000 (17.8)	2000 (8.9)	4000 (17.8)
Tension Strength lbs (kN)	7,000	15000 (67)	8500 (38)	20000 (89)
Compression Strength lbs. (kN)	10000 (44.5)	20000 (89.0)	10000 (44.5)	20000 (89.0)
Torsion Strength in-lbs (N-m)	6,000	12000 (1356)	7000 (791)	14000 (1585)
Net Weight lbs (kg)	9.9 (4.5)	21.6 (9.8)	15.4 (7.0)	24.7 (11.2)

STATION POSTS

Porcelain Station Post Characteristics - 150kV to 200kV BIL

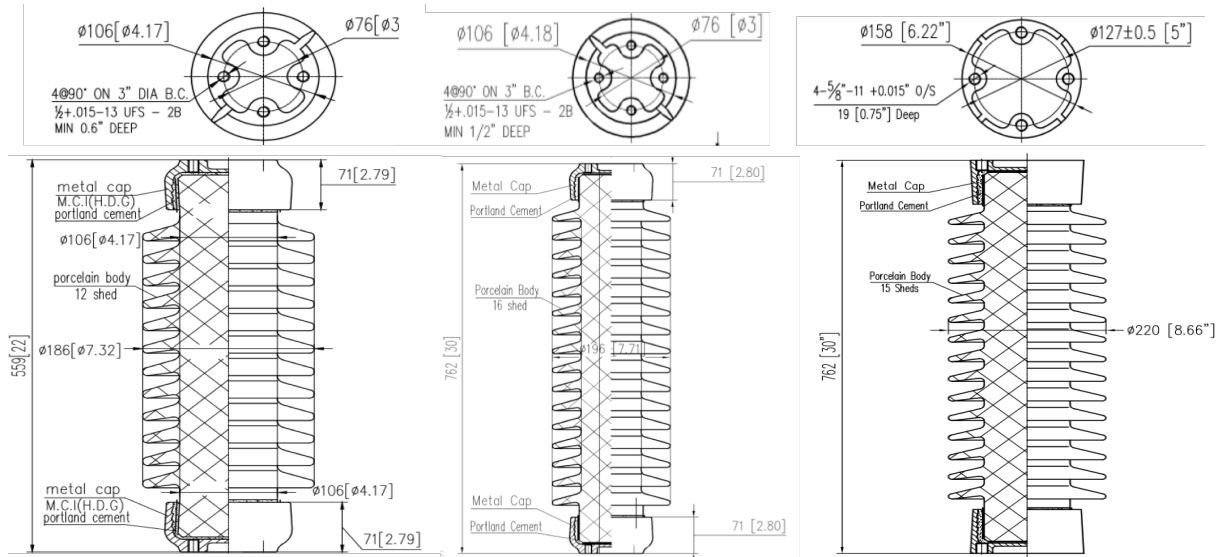


Catalog Number	PSP208-3001	PSP227-3002	PSP210-3001	PSP231-3002
BIL kV	150	150	200	200
Technical Reference Equivalent	TR-208	TR-227	TR-210	TR-231
Height Inches (mm)	14 (356)	14 (356)	18 (457)	20 (508)
Leakage Distance In (mm)	24 (610)	24 (610)	37 (950)	37 (950)
Wet 60Hz Withstand kV	60	60	80	80
Cantilever Strength lbs. (kN)	2000 (8.9)	4000 (17.8)	2000 (8.9)	4000 (17.8)
Tension Strength lbs (kN)	10000 (45)	20000 (89)	12000 (53)	25000 (107)
Compression Strength lbs. (kN)	10000 (44.5)	20000 (89.0)	15000 (66.7)	30000 (134.0)
Torsion Strength in-lbs (N-m)	8000 (900)	16000 (1815)	10000 (1130)	20000 (2260)
Net Weight lbs (kg)	27.5 (12.5)	43.0 (19.5)	34.4 (15.6)	55.1 (25.0)

STATION POSTS



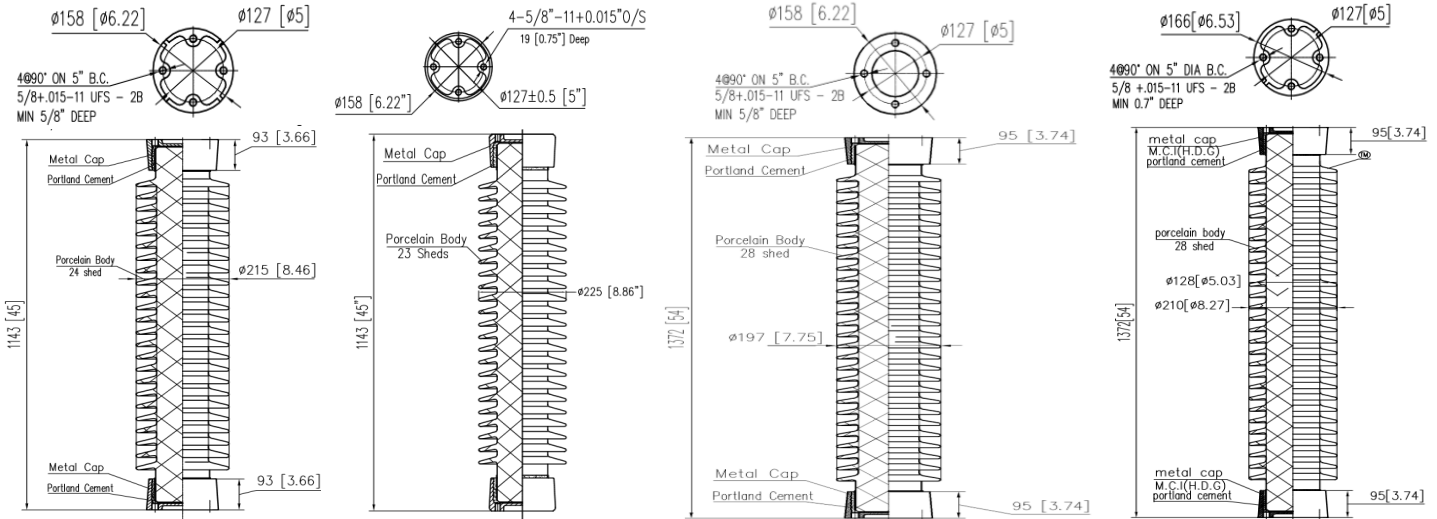
Porcelain Station Post Characteristics - 250kV to 350kV BIL



Catalog Number	PSP214-3001	PSP267-3002	PSP216-3001	PSP278-3002
BIL kV	250	250	350	350
Technical Reference Equivalent	TR-214	TR-267	TR-216	TR-278
Height Inches (mm)	22 (559)	24 (610)	30 (762)	30 (762)
Leakage Distance In (mm)	43 (1092)	43 (1092)	72 (1829)	72 (1829)
Wet 60Hz Withstand kV	100	100	145	145
Cantilever Strength lbs. (kN)	2000 (8.9)	4000 (17.8)	1500 (6.7)	3000 (13.4)
Tension Strength lbs (kN)	14000 (62)	25000 (107)	16000 (72)	25000 (107)
Compression Strength lbs. (kN)	15000 (66.7)	60000 (267)	25000 (112)	60000 (267)
Torsion Strength in-lbs (N-m)	12000 (1356)	20000 (2260)	15000 (1700)	40000 (4520)
Net Weight lbs (kg)	45.2 (20.5)	61.7 (28.0)	66.1 (30.0)	83.1 (37.8)

STATION POSTS

Porcelain Station Post Characteristics - 550kV to 650kV BIL

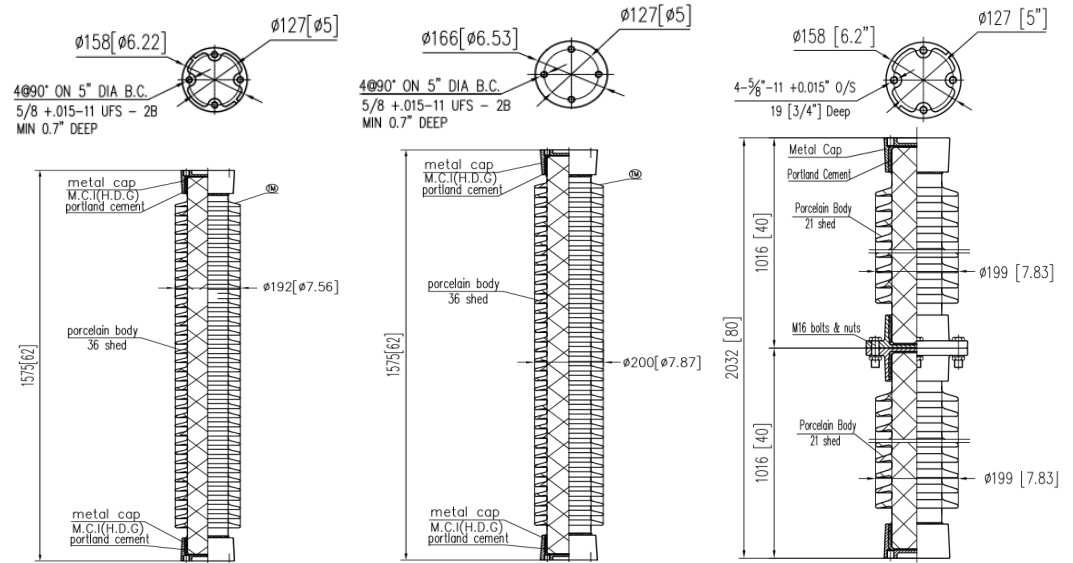


Catalog Number	PSP208-3001	PSP227-3002	PSP210-3001	PSP231-3002
BIL kV	150	150	200	200
Technical Reference Equivalent	TR-208	TR-227	TR-210	TR-231
Height Inches (mm)	14 (356)	14 (356)	18 (457)	20 (508)
Leakage Distance In (mm)	24 (610)	24 (610)	37 (950)	37 (950)
Wet 60Hz Withstand kV	60	60	80	80
Cantilever Strength lbs. (kN)	2000 (8.9)	4000 (17.8)	2000 (8.9)	4000 (17.8)
Tension Strength lbs (kN)	10000 (45)	20000 (89)	12000 (53)	25000 (107)
Compression Strength lbs. (kN)	10000 (44.5)	20000 (89.0)	15000 (66.7)	30000 (134.0)
Torsion Strength in-lbs (N-m)	8000 (900)	16000 (1815)	10000 (1130)	20000 (2260)
Net Weight lbs (kg)	27.5 (12.5)	43.0 (19.5)	34.4 (15.6)	55.1 (25.0)

STATION POSTS



Porcelain Station Post Characteristics - 750kV to 900kV BIL

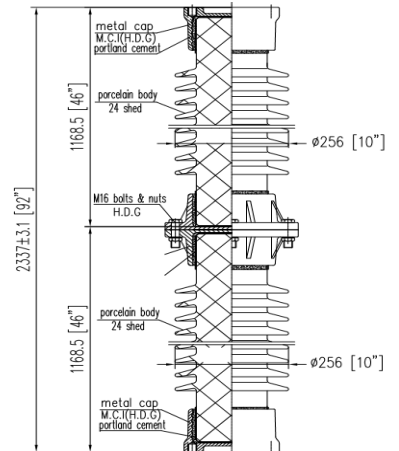
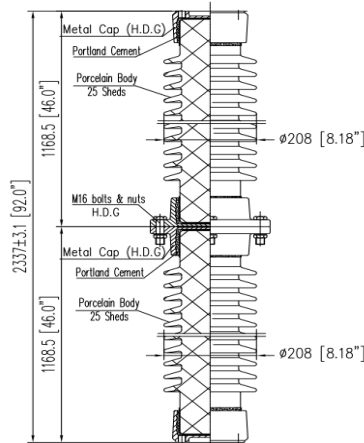
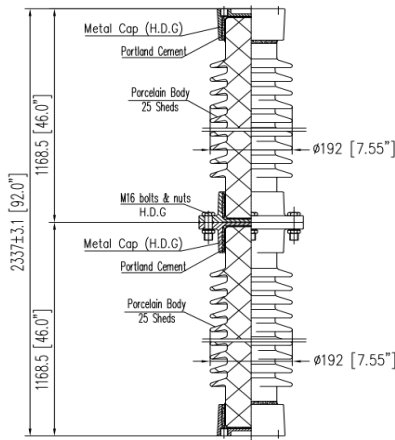
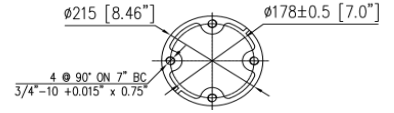
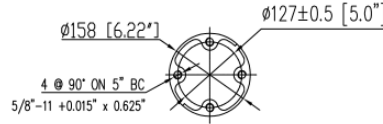
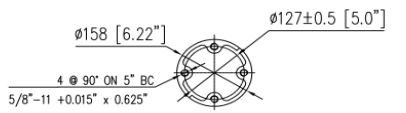


Catalog Number	PSP291-3001	PSP295-3002	PSP304-3001	PSP308-3002
BIL kV	750	750	900	900
Technical Reference Equivalent	TR-291	TR-295	TR-304	TR-308
Height Inches (mm)	62 (1575)	62 (1575)	80 (2032)	80 (2032)
Leakage Distance In (mm)	132 (3353)	132 (3353)	165 (4191)	165 (4191)
Wet 60Hz Withstand kV	315	315	385	385
Cantilever Strength lbs. (kN)	1200 (5.4)	1850 (8.3)	950 (4.2)	1450 (6.5)
Tension Strength lbs (kN)	20000 (89)	25000 (111)	20000 (89)	25000 (111)
Compression Strength lbs. (kN)	60000 (267)	75000 (334)	60000 (267)	75000 (334)
Torsion Strength in-lbs (N-m)	40000 (4520)	90000 (10170)	40000 (4520)	90000 (10170)
Net Weight lbs (kg)	168.6 (76.5)	218.5 (99.1)	251.2 (114.2)	290.8 (132.2)

STATION POSTS



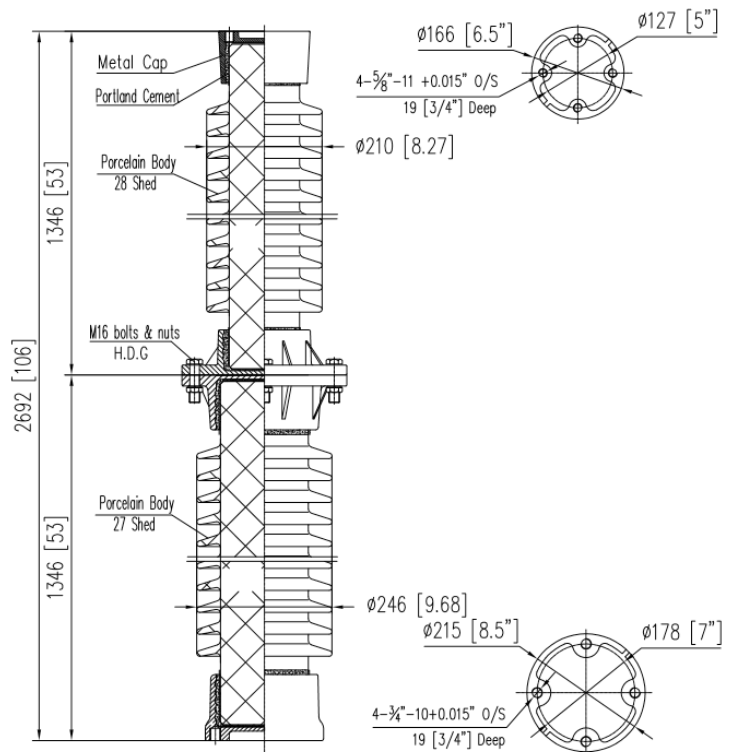
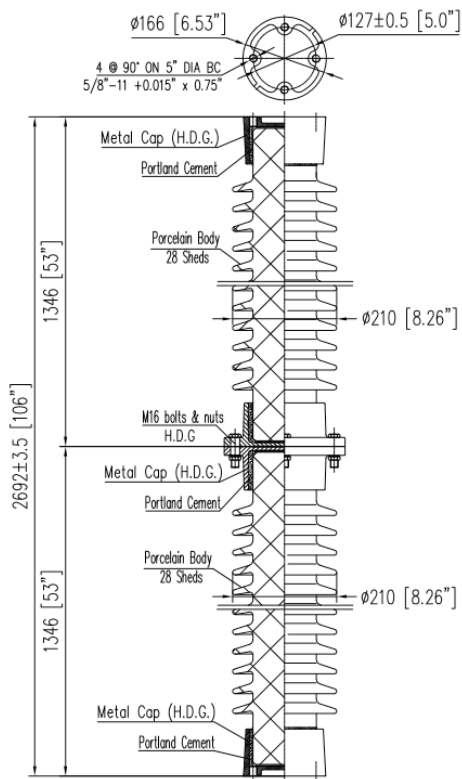
Porcelain Station Post Characteristics - 1050kV BIL



Catalog Number	PSP312-3001	PSP316-3002	PSP362-3003
BIL kV	1050	1050	1050
Technical Reference Equivalent	TR-312	TR-316	TR-362
Height Inches (mm)	92 (2337)	92 (2337)	92 (2337)
Leakage Distance In (mm)	198 (5029)	198 (5029)	198 (5029)
Wet 60Hz Withstand kV	455	455	455
Cantilever Strength lbs. (kN)	800 (3.6)	1250 (5.6)	2300 (10.2)
Tension Strength lbs (kN)	20000 (89)	25000 (111)	40000 (178)
Compression Strength lbs. (kN)	60000 (267)	75000 (334)	100000 (445)
Torsion Strength in-lbs (N-m)	40000 (4520)	90000 (10170)	120000 (13560)
Net Weight lbs (kg)	256 (116.4)	317.3 (144.2)	462.7 (210.3)



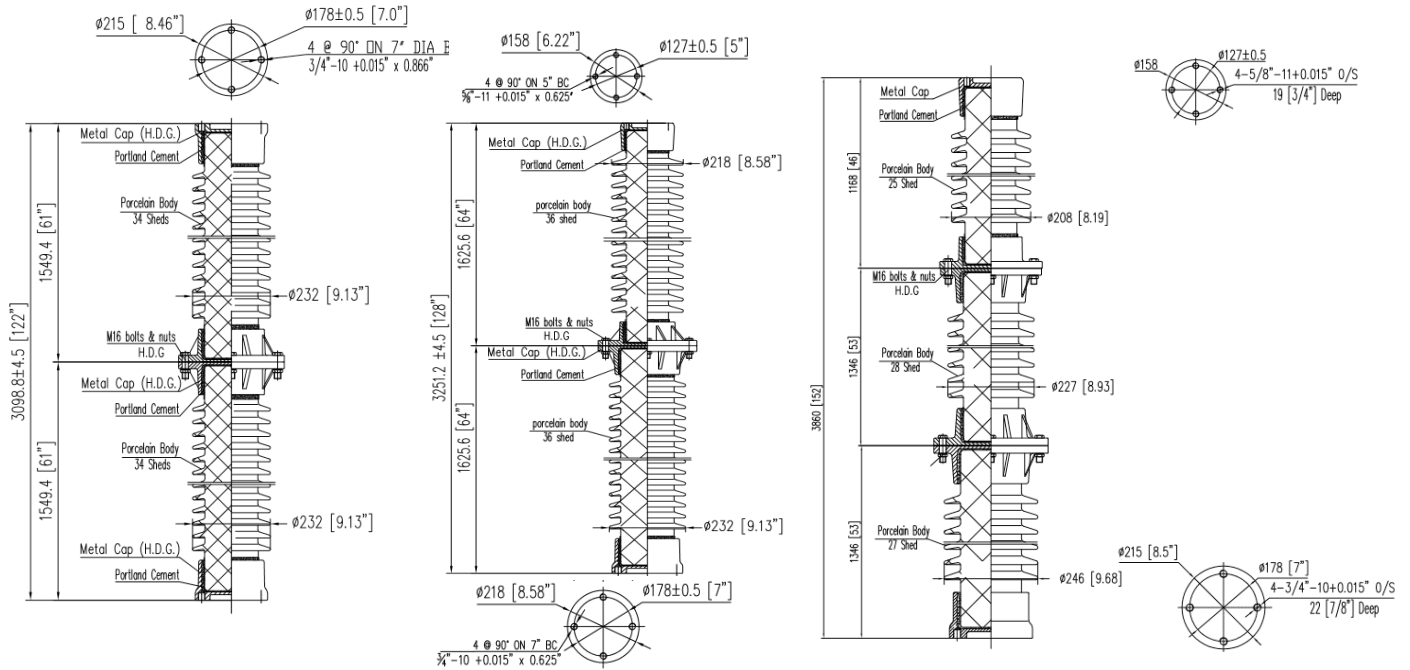
Porcelain Station Post Characteristics - 1300kV BIL



Catalog Number	PSP324-3002	PSP369-3003
BIL kV	1300	1300
Technical Reference Equivalent	TR-324	TR-369
Height Inches (mm)	106 (2692)	106 (2692)
Leakage Distance In (mm)	231 (5867)	231 (5867)
Wet 60Hz Withstand kV	525	525
Cantilever Strength lbs. (kN)	1000 (7.0)	2050 (9.1)
Tension Strength lbs (kN)	25000 (111)	25000 (111)
Compression Strength lbs. (kN)	75000 (334)	90000 (401)
Torsion Strength in-lbs (N-m)	90000 (10170)	90000 (10170)
Net Weight lbs (kg)	341.5 (155.2)	443.2 (201.5)

STATION POSTS

Porcelain Station Post Characteristics - 1470kV to 1800kV BIL



Catalog Number	PSP372-3003	PSP379-3003	PSP391-3003
BIL kV	1470	1550	1800
Technical Reference Equivalent	TR-372	TR-379	TR-391
Height Inches (mm)	122 (3099)	128 (3251)	152 (3861)
Leakage Distance In (mm)	264 (6706)	280 (7112)	330 (8382)
Wet 60Hz Withstand kV	590	620	710
Cantilever Strength lbs. (kN)	1750 (7.8)	1700 (7.5)	1400 (6.2)
Tension Strength lbs (kN)	20000 (89)	20000 (89)	20000 (89)
Compression Strength lbs. (kN)	60000 (267)	60000 (267)	60000 (267)
Torsion Strength in-lbs (N-m)	40000 (4520)	40000 (4520)	40000 (4520)
Net Weight lbs (kg)	462.6 (210.3)	488.5 (222.0)	610 (277.3)



About Hubbell Power Systems

Hubbell Power Systems (HPS) manufactures a wide variety of transmission, distribution, substation, OEM and telecommunications products used by utilities. HPS products are also used in the civil construction, transportation, gas and water industries. Our product line includes construction and switching products, tools, insulators, arresters, pole line hardware, cable accessories, test equipment, transformer bushings and polymer precast enclosures and equipment pads.

Because Hubbell has a policy of continuous product improvement. We reserve the right to change design and specifications without notice.

©Copyright 2018 Hubbell Incorporated
Printed in U.S.A. XX/18

Insulators Catalog

www.hubbellpowersystems.com

Page 98 | May 2018

