

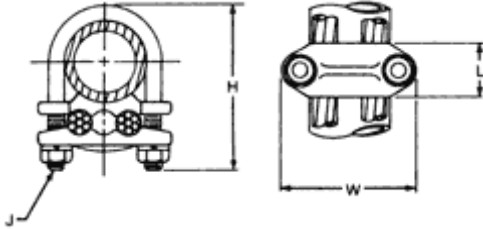


Catalog Home

**Product Datasheet**


**ANDERSON FARGO**

**GC110161C -- Grounding Clamp**



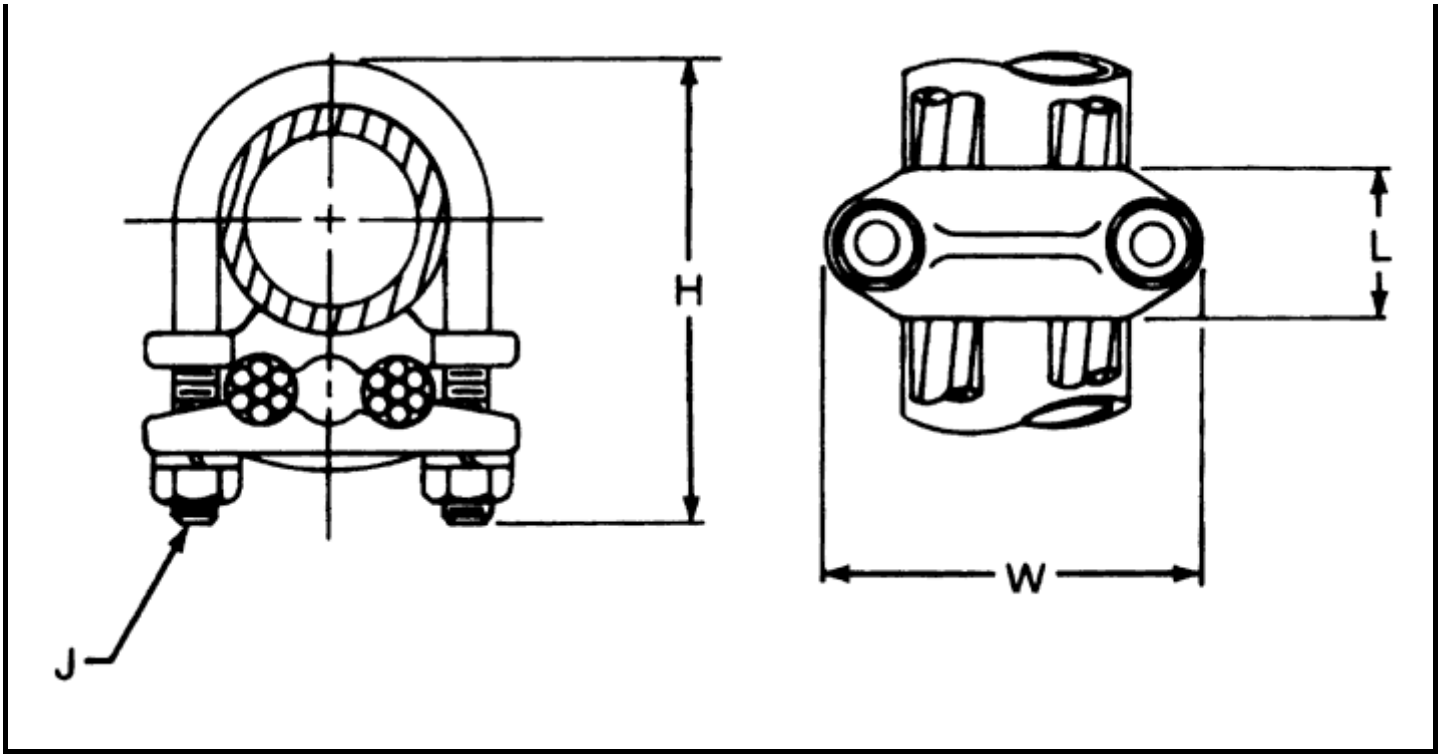
Grounding Clamp, Copper One-Three Cables to Rod or Tube, U-bolt style

**Product Specifications**

<p><b>Series</b></p>	 <p><b>GC-110 Series</b> Bronze One-Three Cables to Rod or Tube Grounding Clamps</p>
<p><b>PDF Catalog Page</b></p>	<p><a href="#">Click HERE to view the web page.</a></p>
<p><b>Clamping Hardware Diameter</b></p>	<p>4 in</p>
<p><b>Rod / Tube O.D. Size</b></p>	<p>4 1/2 in</p>
<p><b>Rod / Tube Size (Ips)</b></p>	<p>4 in</p>
<p><b>Material</b></p>	<p>Bronze</p>
<p><b>Hardware Material</b></p>	<p>Stainless Steel</p>
<p><b>Dimension H</b></p>	<p>6.75 in (171.45 mm)</p>
<p><b>Dimension J</b></p>	<p>.38 in (9.52 mm)</p>
<p><b>Dimension L</b></p>	<p>1.63 in (41.28 mm)</p>
<p><b>Dimension W</b></p>	<p>6.00 in (152.40 mm)</p>
<p><b>Conductor Size Min. / Max.</b></p>	<p>Cu 4 sol Thru Cu 2/0 str (19)</p>
<p><b>Conductor Type</b></p>	<p>Copper</p>
<p><b>Minimum Conductor Diameter</b></p>	<p>0.204 (in)</p>
<p><b>Maximum Conductor Diameter</b></p>	<p>0.419 (in)</p>
<p><b>UPC Code</b></p>	<p>09635930557</p>
<p><b>Standard Package</b></p>	<p>6</p>
<p><b>Standard Package Unit</b></p>	<p>Each</p>
<p><b>Min Order Qty</b></p>	<p>1</p>
<p><b>Weight / Ea.</b></p>	<p>2.94 lbs</p>
<p><b>Material Type</b></p>	<p>Non-Standard</p>

**Compressed Product Number**

GC110161C



[Catalog Home](#)



[Warranty Info](#) | [Trademarks](#) | [Terms of Use](#)

*All contents Copyright © 2007 Hubbell Power Systems, Inc. All rights reserved.*

NOTE: Because Hubbell has a policy of continuous product improvement, we reserve the right to change design and specifications without notice.