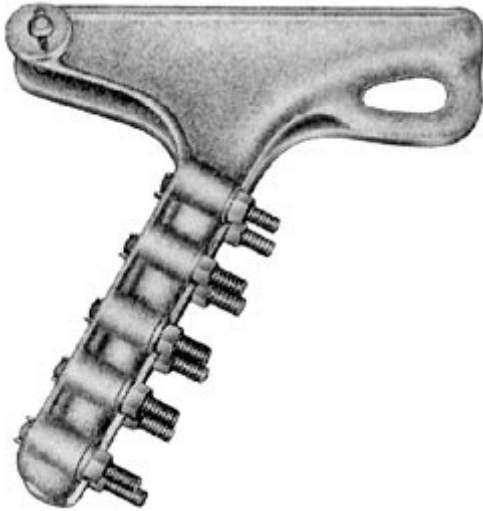




Product Datasheet



ANDERSON FARGO

SDT2112N -- Strain Clamp, Quadrant, Heavy Duty, T2 Conductor



Strain Clamp, Quadrant, Heavy Duty, T2 Conductor, Aluminum, Conductor Range 0.502 - 0.562 in, Fitting: None

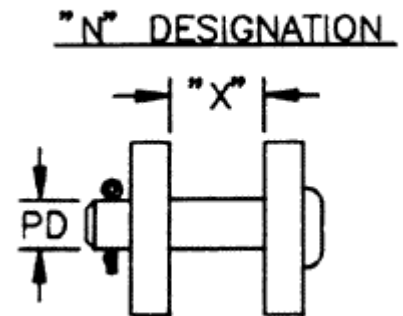
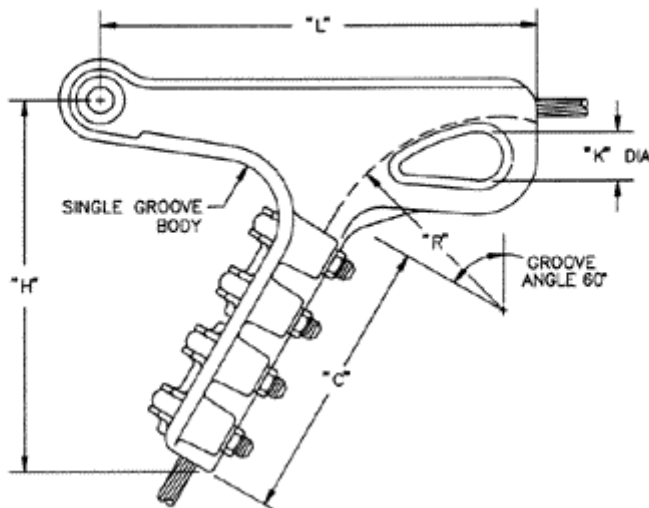
Product Specifications

<p>Category Image</p>	 <p>Bolted Deadends Aluminum & Bronze Quadrant Aluminum & Copper Conductor</p>
<p>Series Image (Quadrant)</p>	 <p>SD Series Quadrant Dead End Bolted, Aluminum AAC, AAAC & ACSR Conductor</p>
<p>PDF Catalog Page</p>	<p>Click HERE to view the web page.</p>
<p>Fitting Type</p>	<p>None</p>
<p>Style</p>	<p>SDT2 - Strain Clamp, Quadrant, Heavy Duty, T2 Conductor</p>
<p>Type</p>	<p>Bolted</p>
<p>Material</p>	<p>Aluminum</p>
<p>Voltage Application</p>	<p>Std</p>
<p>Body and Keeper Material</p>	<p>356 T6 Aluminum Alloy</p>
<p>Cotter Pin Material</p>	<p>#302 Stainless Steel</p>

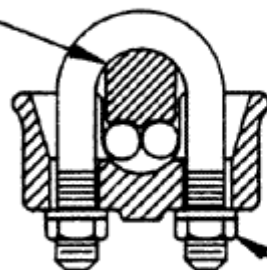
Hardware Material	Galvanized Steel
Ultimate Body Strength	30,000 lb (13,608 kg)
U-Bolts	5
Bolt Size	.50 in (12.70 mm)
Dimension C	8 1/4 in (209.6 mm)
Dimension H	11.50 in (292.1 mm)
Dimension K	1 3/8 in (34.33 mm)
Dimension L	13 1/8 in (333.38 mm)
Dimension R	6 .50 in (165.1 mm)
Pin Diameter	0.750 in (19.05 mm)
Clevis Opening	1.375 in (34.93 mm)
Dimension X	1 3/8 in (34.93 mm)
Conductor Range Minimum - Maximum	AAC 4/0 str (7) Thru AAC 4/0 str (19) AAAC 3/0 str(7) ACSR 3/0 (6/1) Thru ACSR 134.6 kcmil (12/7)
Minimum Conductor Diameter	0.502
Maximum Conductor Diameter	0.562
Weight / Ea.	8.28 lbs
Standard Package	6
UPC Code	09635932565

Compressed Product Number

SDT2112N



DOUBLE GROOVE
KEEPER



SECTION A-A

TIGHTEN TO RECOMMENDED
TORQUE

Dimensions

[Catalog Home](#)



[Warranty Info](#) | [Trademarks](#) | [Terms of Use](#)

All contents Copyright © 2007 Hubbell Power Systems, Inc. All rights reserved.

NOTE: Because Hubbell has a policy of continuous product improvement, we reserve the right to change design and specifications without notice.