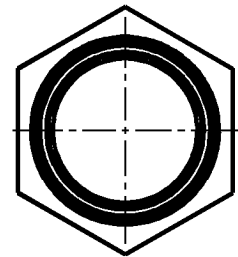
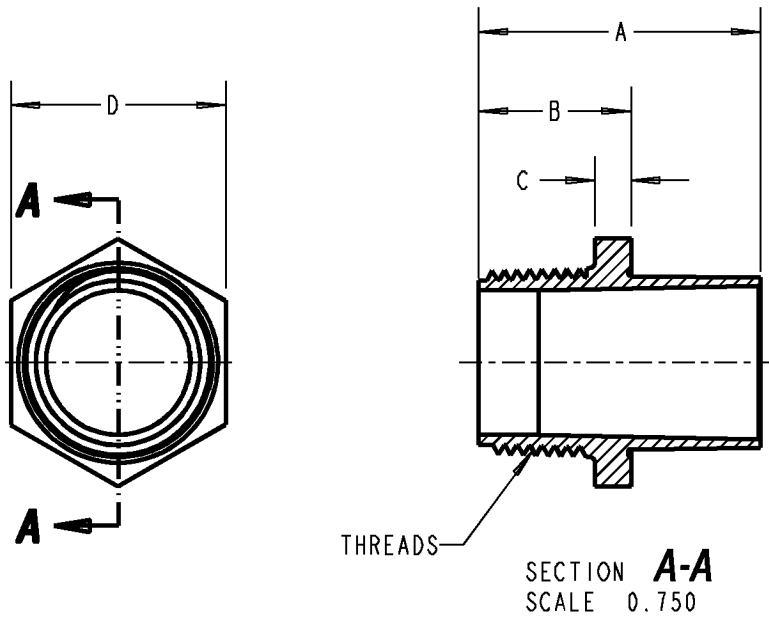
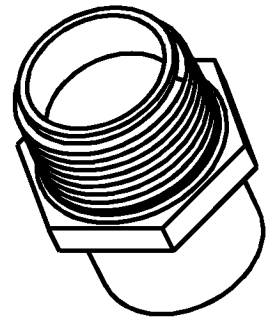


# Carlton®



PART NO.	SIZE	A	B	C	D	THREADS
E920D	1/2"	1.43 [36.3]	.75 [19.1]	.15 [3.8]	1.00 [25.3]	1/2" NPT
E920E	3/4"	1.57 [39.9]	.82 [20.8]	.18 [4.6]	1.25 [31.6]	3/4" NPT
E920F	1"	1.96 [49.8]	1.06 [26.9]	.25 [6.4]	1.49 [37.9]	1" NPT
E920G	1-1/4"	2.04 [51.8]	1.06 [26.9]	.25 [6.4]	1.74 [44.3]	1-1/4" NPT
E920H	1-1/2"	2.19 [55.6]	1.06 [26.9]	.25 [6.4]	1.99 [50.6]	1-1/2" NPT
E920J	2"	2.21 [56.1]	1.06 [26.9]	.25 [6.4]	2.49 [63.3]	2" NPT

## GENERAL NOTES

1. ALL DIMENSIONS ARE FOR REFERENCE ONLY.
2. DIMENSIONS IN BRACKETS [ ] ARE IN METRIC UNITS.

## REVISIONS

\*\*\* SEE ERN ( \*\*\*\* ) FOR APPROVAL SIGNATURES & RELEASE DATE.  
PROJECT NO: \*\*\*\*

**Thomas & Betts**  
www.tnb.com

DESCRIPTION: **KEIPER KOUPLINGS - MALE ADAPTER**

ORIGINAL PROJECT NO / ( ERN NO )

/ ( )

SHEET NO:

1 OF 1

REV. NO:

A

DRAWING NO:

WSD-AC04906