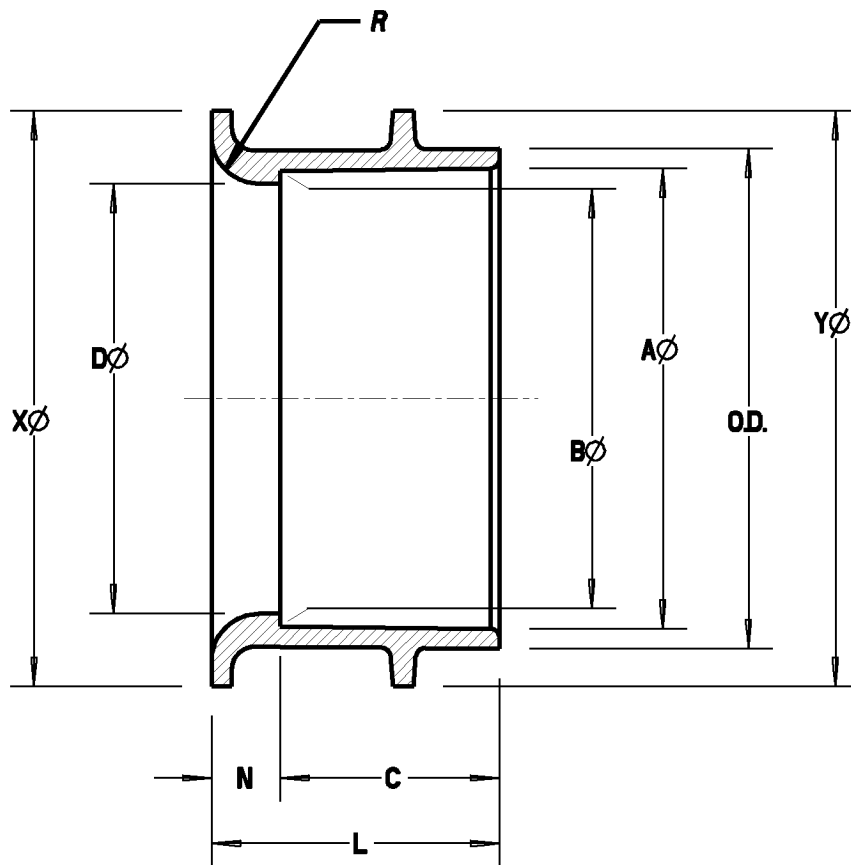


Carlton®



PART NO.	SIZE	A	B	D	OD	X	Y	C	N	L	R
E297J	2"	2.393 [60.8]	2.369 [60.2]	2.236 [56.8]	2.603 [66.1]	3.00 [76.2]	3.00 [76.2]	1.141 [28.9]	.359 [9.1]	1.50 [38.1]	.25 [6.4]
E297L	3"	3.515 [89.3]	3.492 [88.7]	3.357 [85.3]	3.685 [93.6]	4.09 [103.9]	4.09 [103.9]	1.61 [40.9]	.39 [9.9]	2.00 [50.8]	.25 [6.4]
E297N	4"	4.515 [114.7]	4.491 [114.1]	4.314 [109.6]	4.775 [121.3]	5.31 [134.9]	5.05 [128.3]	1.766 [44.9]	.514 [13.1]	2.28 [57.9]	.31 [7.9]
E297P	5"	5.593 [142.1]	5.553 [141.0]	5.337 [135.6]	6.273 [159.3]	6.34 [161.0]	6.34 [161.0]	1.953 [42.0]	.487 [12.4]	2.44 [62.0]	.31 [7.9]

GENERAL NOTES

- ALL DIMENSIONS ARE FOR REFERENCE ONLY.
- DIMENSIONS IN BRACKETS [] ARE IN METRIC UNITS.

REVISIONS

SEE ERN (****) FOR APPROVAL SIGNATURES & RELEASE DATE.
PROJECT NO: ****

Thomas & Betts
www.tnb.com

DESCRIPTION: **BELL ENDS**

ORIGINAL PROJECT NO / (ERN NO)	SHEET NO:	REV. NO:	DRAWING NO:
/ ()	1 OF 1	B	WSD-AC03132